



Alcatel-Lucent

Service Router | Release 12.0 R1
7750 SR-OS Interfaces Configuration Guide

93-0072-11-01 Edition 01
93-0072-11-01

Alcatel, Lucent, Alcatel-Lucent and the Alcatel-Lucent logo are trademarks of Alcatel-Lucent. All other trademarks are the property of their respective owners. The information presented is subject to change without notice. Alcatel-Lucent assumes no responsibility for inaccuracies contained herein.
Copyright © 2014 Alcatel-Lucent
All Rights Reserved.



This document is protected by copyright. Except as specifically permitted herein, no portion of the provided information can be reproduced in any form, or by any means, without prior written permission from Alcatel-Lucent.
Alcatel, Lucent, Alcatel-Lucent and the Alcatel-Lucent logo are trademarks of Alcatel-Lucent. All other trademarks are the property of their respective owners.
The information presented is subject to change without notice.
Alcatel-Lucent assumes no responsibility for inaccuracies contained herein.

Copyright 2014 Alcatel-Lucent. All rights reserved.

TABLE OF CONTENTS

Preface	11
Getting Started	
Alcatel-Lucent 7750 SR-Series Router Configuration Process	16
Interfaces	
Configuration Overview	19
Chassis Slots and Cards	19
MCMs	20
MDAs	20
CMAs	21
Versatile Service Module (VSM)	23
Oversubscribed Ethernet MDAs	24
Rate Limiting	24
Packet Classification and Scheduling	24
Channelized MDA/CMA Support	26
Channelized DS-1/E-1 CMA	26
Channelized DS-3/E-3 MDA	26
Channelized CHOC-12/STM-4 MDA	26
Channelized CHOC-3/STM-1 MDA	27
Channelized Any Service Any Port (ASAP) CHOC-3/STM-1	27
Channelized OC-12/STM-4 ASAP MDAs	27
Channelized DS-3/E-3 ASAP MDA (4-Port)	28
Channelized DS-3/E-3 ASAP MDA (12-Port)	28
Channelized OC-3/STM-1 Circuit Emulation Services (CES) CMA and MDA	28
Network Interconnections	29
Digital Diagnostics Monitoring	30
Alcatel-Lucent SFPs and XFPs	36
Statistics Collection	36
Ports	37
Port Types	37
Port Features	41
Port State and Operational State	41
802.1x Network Access Control	43
SONET/SDH Port Attributes	49
SONET/ SDH Path Attributes	49
Multilink Frame Relay	51
FRF.12 End-to-End Fragmentation	54
FRF.12 UNI/NNI Link Fragmentation	55
MLFR/FRF.12 Support of APS, BFD, and Mirroring Features	55
Multilink Point-to-Point Protocol (MLPPP)	56
Multi-Class MLPPP	61
Cisco HDLC	68
Automatic Protection Switching (APS)	71
Inverse Multiplexing Over ATM (IMA)	101

Table of Contents

Ethernet Local Management Interface (E-LMI)	104
Link Layer Discovery Protocol (LLDP)	105
LAG	109
LACP	109
Active-Standby LAG Operation without LACP	109
LAG Subgroups on Access for DSLAM Aggregation	111
LAG on Access QoS Consideration	113
Adapt QoS Modes	113
Per-fp-ing-queuing	114
Per-fp-egr-queuing	115
Per-fp-sap-instance	116
LAG and ECMP Hashing	117
Per Flow Hashing	117
Per Link Hashing	123
Explicit Per Link Hash Using LAG Link Mapping Profiles	124
Consistent Per Service Hashing	125
ESM – LAG Hashing per Vport	127
LAG Hold Down Timers	130
BFD over LAG Links	131
Multi-Chassis LAG	131
Overview	132
MC-LAG and Subscriber Routed Redundancy Protocol (SRRP)	135
Point-to-Point (p2p) Redundant Connection Across Layer 2/3 VPN Network	136
DSLAM Dual Homing in Layer 2/3 TPSDA Model	138
G.8031 Protected Ethernet Tunnels	139
G.8032 Protected Ethernet Rings	140
802.3ah OAM	141
OAM Events	144
Remote Loopback	145
802.3ah OAM PDU Tunneling for Epipe Service	145
802.3ah Grace Announcement	146
MTU Configuration Guidelines	152
Deploying Preprovisioned Components	155
Configuration Process Overview	156
Configuration Notes	157
Configuring Physical Ports with CLI	159
Preprovisioning Guidelines	161
Predefining Entities	161
Preprovisioning a Port	162
Maximizing Bandwidth Use	163
Basic Configuration	164
Common Configuration Tasks	167
Configuring Cards and MDAs	168
Configuring Cards, MDA Carrier Modules (MCMs) and Media Dependent Adapters (MDAs)	169
Configuring Cards and Compact Media Adapters (CMAs)	170
Configuring Forwarding Plane Parameters	171
Configuring MDA/CMA Access and Network Pool Parameters	172
Configuring MDA Policies for Named Pools Mode	173
Configuring Ports	174

Configuring Port Pool Parameters	174
Changing Hybrid-Buffer-Allocation	177
Configuring APS Parameters	178
Configuring Ethernet Port Parameters	180
Ethernet Network Port	180
Ethernet Access Port	181
Configuring 802.1x Authentication Port Parameters	182
Configuring SONET/SDH Port Parameters	182
SONET/SDH Network Port	183
SONET/SDH Access Port	184
Configuring Channelized Ports	185
Configuring Channelized STM1/OC3 Parameters	203
Configuring ATM SAPs	207
ATM SAP in an IES Service	207
ATM SAP in an Epipe Service	207
Configuring DWDM Port Parameters	208
Configuring WaveTracker Parameters	210
Configuring OTU Port Parameters	214
Configuring ATM Interface Parameters	216
PLCP/Direct Mapping	216
ATM Interface Configurations	220
Configuring Frame Relay Parameters	222
SONET/SDH Interfaces	224
Configuring Multilink PPP Bundles	226
Configuring Multilink ATM Inverse Multiplexing (IMA) Bundles	227
IMA Bundles	227
Multi-Class MLPPP	230
IMA Test Procedure	231
Configuring Bundle Protection Group Ports	232
Configuring LAG Parameters	238
Configuring BFD on LAG Links	238
Configuring G.8031 Protected Ethernet Tunnels	240
Service Management Tasks	242
Modifying or Deleting an MDA, MCM, or CMA	242
Modifying a Card Type	243
Deleting a Card	244
Deleting Port Parameters	244
Soft IOM Reset	245
Soft Reset	245
Deferred MDA Reset	246
Card, MDA, and Port Command Reference	247
Standards and Protocol Support	741
Index	747

Table of Contents

LIST OF TABLES

Getting Started

Table 1:	Configuration Process	16
----------	-----------------------------	----

Interfaces

Table 2:	Typical Mapping Of Classes Onto Queues/Threshold	25
Table 3:	Real-Time DDM Information	33
Table 4:	DDM Alarms and Warnings	34
Table 5:	Relationship of Port State and Oper State	42
Table 6:	Valid SONET and SDH Path Configurations	49
Table 7:	FRF.16.1 Values	53
Table 8:	Multi-Class PPP	61
Table 9:	Default Packet Forwarding Class to MLPPP Class Mapping	62
Table 10:	Packet Forwarding Class to MLPPP Class Mapping	62
Table 11:	MLPPP Class Queue Threshold Parameters	63
Table 12:	MLPPP Class Queue Scheduling Parameters	64
Table 13:	MLPPP Ingress QoS Profile: Reassembly Timers (msec)	65
Table 14:	cHDLC I-Frame	68
Table 15:	cHDLC Protocol Fields	68
Table 16:	SC-APS versus MC-APS Protection	73
Table 17:	APS Switching Modes	76
Table 18:	K1 Byte, Bits 1-4: Type of Request	80
Table 19:	K1 Byte, Bits 5-8 (and K2 Bits 1-4), Channel Number Code Assignments	81
Table 20:	K2 Byte Functions	81
Table 21:	Differences Between SONET and SDH Standards	82
Table 22:	Actions for the Bi-directional Protection Switching Process	84
Table 23:	Switching Mode to MIB Mapping	89
Table 24:	Supported APS Mode Combinations	90
Table 25:	MDA/Port Type Pairing for APS	92
Table 26:	Adapt QoS Bandwidth/Rate Distribution	114
Table 27:	MTU Default Values	152
Table 28:	MTU Configuration Example Values	154
Table 29:	Channelization Options Available on the 7750 SR Channelized MDAs	185
Table 30:	Channelized Port Syntax Examples	189
Table 31:	216
Table 32:	Alarm State Interactions	218
Table 33:	DWDM Channel Numbers	316

LIST OF FIGURES

Interfaces

Figure 1:	802.1x Architecture	44
Figure 2:	802.1x Authentication Scenario	45
Figure 3:	802.1x EAPOL Timers (left) and RADIUS Timers (right)	47
Figure 4:	MLPPP 24-bit Fragment Format	57
Figure 5:	MLPPP 12-bit Fragment Format	57
Figure 6:	Frame Sequence of Events	60
Figure 7:	Original MLPPP Header Format	61
Figure 8:	MC-MLPPP Short Sequence Header Format	61
Figure 9:	MLPPP Class Queue Thresholds for In-Profile and Out-of-Profile Packets	63
Figure 10:	MLPPP Class Queue Scheduling Scheme	64
Figure 11:	APS Protection (Single Chassis APS) and Switchover	71
Figure 12:	SC-APS Group with MDA and IOM Protection	74
Figure 13:	MC-APS Group Protects Against Node Failure	75
Figure 14:	APS Working and Protection Circuit Example	86
Figure 15:	SC-APS MLPPP on Channelized Access Interfaces Example	94
Figure 16:	MC-APS MLPPP on Channelized Access Interfaces Example	95
Figure 17:	Multi-Chassis APS Application	96
Figure 18:	Access and Node and Network Resilience	97
Figure 19:	MC-APS with ATM VLL Redundancy	98
Figure 20:	Mobile RAN with Microwave Transport Example	99
Figure 21:	1+1 APS Protected Microwave SDH Transport	100
Figure 22:	LLDP Internal Architecture for a Network Node	106
Figure 23:	Generic Customer Use Case For LLDP	107
Figure 24:	Active-Standby LAG Operation without LACP	110
Figure 25:	LAG on Access Interconnection	111
Figure 26:	LAG on Access Failure Switchover	111
Figure 27:	MC-LAG L2 Dual Homing to Remote PE Pairs	133
Figure 28:	MC-LAG L2 Dual Homing to Local PE-Pairs	134
Figure 29:	P2P Redundant Connection Through a Layer 2 VPN Network	136
Figure 30:	DSLAM Dual-Homing Using MC-LAG	138
Figure 31:	Grace TLV Passive Node with Soft Reset	147
Figure 32:	Grace TLV Active Node with Soft Reset	148
Figure 33:	MTU Configuration Example	153
Figure 34:	Slot, Card, MDA, and Port Configuration and Implementation Flow	156
Figure 35:	Channelized DS3 Port Structure	191
Figure 36:	Channelized OC-12 Port Structure	194

About This Guide

This guide describes system concepts and provides configuration examples to provision input/output modules (IOMs), also referred to as cards, Media Dependent Adapters (MDAs), and ports. This document is organized into functional chapters and provides concepts and descriptions of the implementation flow, as well as Command Line Interface (CLI) syntax and command usage.

Audience

This manual is intended for network administrators who are responsible for configuring the 7750 SR-Series routers. It is assumed that the network administrators have an understanding of networking principles and configurations, routing processes, and protocols and standards, including:

- CLI concepts
- IOM, MDA, and port configuration
- QoS policies
- Services

List of Technical Publications

The 7750 SR documentation set is composed of the following books:

- **7750 SR OS Basic System Configuration Guide**
This guide describes basic system configurations and operations.
- **7750 SR OS System Management Guide**
This guide describes system security and access configurations as well as event logging and accounting logs.
- **7750 SR OS Interface Configuration Guide**
This guide describes card, Media Dependent Adapter (MDA) and port provisioning.
- **7750 SR OS Router Configuration Guide**
This guide describes logical IP routing interfaces and associated attributes such as an IP address, as well as IP and MAC-based filtering, and VRRP and Cflowd.
- **7750 SR OS Routing Protocols Guide**
This guide provides an overview of routing concepts and provides configuration examples for RIP, OSPF, IS-IS, BGP, and route policies.
- **7750 SR OS MPLS Guide**
This guide describes how to configure Multiprotocol Label Switching (MPLS) and Label Distribution Protocol (LDP).
- **7750 SR OS Services Guide**
This guide describes how to configure service parameters such as service distribution points (SDPs), customer information, and user services.
- **7750 SR OAM and Diagnostic Guide**
This guide describes how to configure features such as service mirroring and Operations, Administration and Management (OAM) tools.
- **7750 SR OS Triple Play Guide**
This guide describes Triple Play services and support provided by the 7750 SR and presents examples to configure and implement various protocols and services.
- **7750 SR OS Quality of Service Guide**
This guide describes how to configure Quality of Service (QoS) policy management.
- **7750 SR OS RADIUS Attributes Reference Guide**
This guide describes all supported RADIUS Authentication, Authorization and Accounting attributes.
- **OS Multi-Service ISA Guide**

This guide describes services provided by integrated service adapters such as Application Assurance, IPSec, ad insertion (ADI) and Network Address Translation (NAT).

Technical Support

If you purchased a service agreement for your 7750 SR-Series router and related products from a distributor or authorized reseller, contact the technical support staff for that distributor or reseller for assistance. If you purchased an Alcatel-Lucent service agreement, contact your welcome center at:

<http://www.alcatel-lucent.com/wps/portal/support>

Report documentation errors, omissions and comments to:

ipd_online_feedback@alcatel-lucent.com

Include document name, version, part number and page(s) affected.

GETTING STARTED

In This Chapter

This chapter provides process flow information to configure cards, mdas and ports.

Alcatel-Lucent 7750 SR-Series Router Configuration Process

[Table 1](#) lists the tasks necessary to provision input/output control modules (IOMs), also referred to as cards, Media Carrier Modules (MCMs), Media Dependent Adapters (MDAs), and ports.

This guide is presented in an overall logical configuration flow. Each section describes a software area and provides CLI syntax and command usage to configure parameters for a functional area.

Table 1: Configuration Process

Area	Task	Chapter
Provisioning	Chassis slots and cards	Chassis Slots and Cards on page 19
	MCMs	MCMs on page 20
	MDAs	MDAs on page 20
	Versatile Service Module	Versatile Service Module (VSM) on page 23
	Ports	Ports on page 37
Reference	List of IEEE, IETF, and other proprietary entities.	Standards and Protocol Support on page 741

In This Chapter

This chapter provides information about configuring chassis slots, cards, and ports. Topics in this chapter include:

- [Configuration Overview on page 19](#)
 - [Chassis Slots and Cards on page 19](#)
 - [MCMs on page 20](#)
 - [MDAs on page 20](#)
 - [Oversubscribed Ethernet MDAs on page 24](#)
 - [Channelized MDA/CMA Support on page 26](#)
 - [CMAs on page 21](#)
 - [Versatile Service Module \(VSM\) on page 23](#)
 - [Digital Diagnostics Monitoring on page 30](#)
 - [Ports on page 37](#)
 - [Port Types on page 37](#)
 - [Port Features on page 41](#)
 - [SONET/SDH Port Attributes on page 49](#)
 - [Multilink Point-to-Point Protocol \(MLPPP\) on page 56](#)
 - [Cisco HDLC on page 68](#)
 - [Automatic Protection Switching \(APS\) on page 71](#)
 - [Inverse Multiplexing Over ATM \(IMA\) on page 101](#)
 - [Link Layer Discovery Protocol \(LLDP\) on page 105](#)
 - [LAG on page 109](#)
 - [LAG on Access QoS Consideration on page 113](#)
 - [LAG and ECMP Hashing on page 117](#)
 - [LAG Hold Down Timers on page 130](#)
 - [BFD over LAG Links on page 131](#)

- LACP on page 109
 - Active-Standby LAG Operation without LACP on page 109
 - LAG on Access QoS Consideration on page 113
 - Multi-Chassis LAG on page 131
- MTU Configuration Guidelines on page 152
- Deploying Preprovisioned Components on page 155
- Configuration Process Overview on page 156
- Configuration Notes on page 157

Configuration Overview

NOTE: This document uses the term provisioning in the context of preparing or preconfiguring entities such as chassis slots, cards, input/output modules (IOMs)/Control Forwarding Module (CFM/IOM) cards and media dependent adapters (MDAs), media dependent adapters (MDAs), compact media adapters (CMAs), ports, and interfaces, prior to initialization. These entities can be installed but not enabled. When the entity is in a no shutdown state (administratively enabled), then the entity is considered to be provisioned.

Alcatel-Lucent routers provide the capability to configure chassis slots to accept specific line card and MDA types and set the relevant configurations before the equipment is actually installed. The provisioning ability allows you to plan your configurations as well as monitor and manage your router hardware inventory. Ports and interfaces can also be provisioned. When the functionality is needed, the card(s) can be inserted into the appropriate chassis slots when required.

The following sections are discussed.

- [Chassis Slots and Cards on page 19](#)
 - [MDAs on page 20](#)
 - [Ports on page 37](#)
-

Chassis Slots and Cards

To pre-provision a chassis slot, the line card type must be specified. System administrators or network operators can enter card type information for each slot, allowing a range of card types in particular slots. From the range of card types, a card and accompanying MDAs/CMAs are specified. When a card is installed in a slot and enabled, the system verifies that the installed card type matches the allowed card type. If the parameters do not match, the card remains offline. A provisioned slot can remain empty without conflicting with populated slots.

SR-7/SR-12 and ESS-7/ESS-12 systems accept Input/Output Modules (IOM) cards. These IOM cards have two slots which accept MDA modules. The SR-c12 and SR-c4 systems do not accept IOMs. SR-c12 and SR-c4 systems accept MDAs using an MDA Carrier Modules. SR-c12 and SR-c4 systems also accept Compact Media Modules (CMAs) directly without the need for MCMs. Refer to the appropriate system installation guide for more information.

MCMs

The following features are not applicable to the 7450-ESS even when in mixed mode.

An MCM (MDA Carrier Module) slot must be configured before an MDA (Media Dependant Adapter) can be provisioned. If you provision an MDA type before an MCM slot is configured, it is assumed you are provisioning a Compact Media Adapter (subscriber/SAP/spoke SDP). CMAs do not require MCM pre-configuration. Up to six MCMs may be provisioned on a 7750 SR-c12. Up to two MCMs may be provisioned on a on a 7710 SR-c4. Even numbered slots are invalid for MCM installation (MCMs physically span 2 slots; “mcm 1” spans slots 1 and 2)

Refer to the CMA Installation Guide(s) and MDA Installation Guide(s) for more information on the physical characteristics of each card.

MDAs

A chassis slot and card type must be specified and provisioned before an MDA can be preprovisioned. An MDA is provisioned when a type designated from the allowed MDA types is inserted. A preprovisioned MDA slot can remain empty without conflicting with populated slots.

Once installed and enabled, the system verifies that the installed MDA type matches the configured parameters. If the parameters do not match, the MDA remains offline.

A chassis slot, card type and MCM must be specified and provisioned before an MDA can be preprovisioned. An MDA is provisioned when a type designated from the allowed MDA type is inserted. A preprovisioned MDA slot can remain empty without conflicting with populated slots. Up to six MDAs may be provisioned on a 7750 SR-c12. Even numbered slots are invalid for MDA installation (MDAs physically span 2 slots; “mda 1” spans slots 1 and 2).

MDA output displays an “m” in the name of the card. The following displays a show card state command. In this example, an **m60-10/100eth-tx** MDA is installed in slot 1.

```
A:ALU-3>config>card# show card state
=====
Card State
=====
Slot/  Provisioned      Equipped          Admin Operational  Num   Num  Comments
Id     Type             Type              State  State  Ports MDA
-----
1      iom-xp           iom-xp            up     up      12
1/1    mcm-xp           mcm-xp            up     up
1/3                    mcm-xp            up     unprovisioned
1/1    m60-10/100eth-tx m60-10/100eth-tx up     up
1/5    c8-10/100eth-tx c8-10/100eth-tx up     up
1/6                    c1-lgb-sfp        up     unprovisioned
```

```

1/7          c8-chds1          up    unprovisioned
1/8          c4-ds3          up    unprovisioned
1/9          c8-10/100eth-tx up    unprovisioned
1/10         c1-lgb-sfp         up    unprovisioned
1/11         c8-chds1          up    unprovisioned
1/12         c4-ds3          up    unprovisioned
A    cfm-xp      cfm-xp          up    up                Active
B    cfm-xp      cfm-xp          up    down             Standby
=====
A:ALU-3>config>card#

```

Once installed and enabled, the system verifies that the installed MDA type matches the configured parameters. If the parameters do not match, the MDA remains offline.

CMAs

CMAs (Compact Media Adapter) are configured and provisioned in the same manner as MDAs (Media Dependent Adapter). 7750 SR-c12 and SR-c4 systems accept CMAs. Up to eight CMAs may be provisioned on a 7750 SR-c12, and up to 4 CMAs may be provisioned on an SR-c4. Up to four CMAs may be provisioned on a 7710 SR-c4. CMA output displays a “c” in the name of the card. The following displays **show card state** command output. In this example, a **c8-10/100eth-tx** CMA is installed in slot 5.

```

A:7750-3# show card state
=====
Card State
=====
Slot/  Provisioned  Equipped  Admin Operational  Num  Num  Comments
ID     Type        Type      State  State         Ports MDA
-----
1      iom-xp      iom-xp    up     up             12
1/5    c8-10/100eth-tx c8-10/100eth-tx up     up             8
1/6    c8-10/100eth-tx c8-10/100eth-tx up     up             8
1/7    c8-chds1    c8-chds1  up     unprovisioned
1/8    c4-ds3      c4-ds3    up     unprovisioned
1/9    c8-10/100eth-tx c8-10/100eth-tx up     unprovisioned
1/10   c1-lgb-sfp  c1-lgb-sfp up     unprovisioned
1/11   c8-chds1    c8-chds1  up     unprovisioned
1/12   c4-ds3      c4-ds3    up     unprovisioned
A      cfm-xp      cfm-xp    up     up             Active
B      cfm-xp      cfm-xp    up     provisioned    Standby
=====
A:7750-3#

```

Configuration Overview

```
A:7710-3# show card state
=====
Card State
=====
Slot/  Provisioned      Equipped          Admin Operational  Num  Num  Comments
ID     Type              Type              State  State  Ports MDA
-----
1      iom-12g           iom-12g           up    up      12
1/5    c8-10/100eth-tx  c8-10/100eth-tx  up    up      8
1/6    c8-10/100eth-tx  c8-10/100eth-tx  up    up      8
1/7                    c8-chds1          up    unprovisioned
1/8                    c4-ds3            up    unprovisioned
1/9                    c8-10/100eth-tx  up    unprovisioned
1/10                   c1-1gb-sfp        up    unprovisioned
1/11                   c8-chds1          up    unprovisioned
1/12                   c4-ds3            up    unprovisioned
A      cfm-12g           cfm-12g           up    up
B      cfm-12g           cfm-12g           up    provisioned
=====
A:7710-3#
```

A preprovisioned CMA slot can remain empty without conflicting with populated slots.

Once installed and enabled, the system verifies that the installed CMA type matches the configured parameters. If the parameters do not match, the CMA remains offline.

Note: On the E3 CMA, bit stuffing is not supported in G.751 framing mode. All of the 12 justification service bits and the 4 justification bits contain valid data on the transmitted signal. Incoming bitstreams should contain valid data in the 12 justification service bits and 4 justification bits, otherwise the link will not function.

Versatile Service Module (VSM)

The Versatile Service Module (VSM) is a module that allows operators to internally connect a VPLS or VLL service into an IES or IPVPN service. Each module is capable of 10 Gbps throughput.

This module is provisioned as a Cross Connect Adaptor (CCA). Unlike external port connections which utilize two TX-RX paths, a CCA interconnects the egress forwarding path on the IOM directly to the ingress forwarding path. This eliminates the need for the physical port MAC, PHY, cable and other MDA-specific components producing a less costly and more reliable adaptor. The complete 10G+ forwarding path is available allowing single conversations up to 10G.

Bandwidth is utilized in a more efficient manner than with externally cabled ports. Typically, the offered load presented to each side of the cross connect port pair is asymmetric in nature. When physical ports are used to cross connect services, each service is egress bandwidth limited to the link speed of the TX-RX path it is using. If one TX-RX path is under utilized, egress services on the other path cannot make use of the available bandwidth.

Since the CCA is forwarding all services over the same path, all the available bandwidth may be used. An example of this would be a two services connected over a CCA. Service A is a VPLS. Service B is an IES. There are two directions of traffic between the pair, A to B and B to A. Traffic in both directions travels across the CCA in the same path. The total bandwidth the CCA can forward is 10 Gbps. Therefore, A to B could consume 7 Gbps, and B to A could consume 3 Gbps. Any combination of services and traffic directions adding up to 10 Gbps can be supported on a single CCA.

The forwarding plane the CCA interconnects maintains the complete egress and ingress features of the services it is interconnecting. This includes the ability to remap QoS, enforce policing and shaping and provide ingress and egress accounting for each service.

In addition CCAs may be placed into Cross Connect Aggregation Groups (CCAGs). A CCAG provides a mechanism to aggregate multiple CCAs into a single forwarding group.

The CCAG uses conversation hashing to dynamically distribute cross connect traffic to the active CCAs in the aggregation group. In the event that an active CCA fails or is removed from the group, the conversation hashing function will redistribute the traffic over the remaining active CCAs within the group. The conversation hashing mechanism performed for a CCAG is identical to the hashing functions performed for Ethernet LAGs (Link Aggregation Groups).

The VSM module is not supported on 7750 SR-c12/c4 platforms.

Oversubscribed Ethernet MDAs

The 7750 SR and 7450 ESS support oversubscribed Ethernet MDAs. These have more bandwidth towards the user than the 10 Gbps capacity between the MDA and IOM.

A traffic management function is implemented on the MDA to control the data entering the IOM. This function consists of two parts:

- Rate limiting
 - Packet classification and scheduling
-

Rate Limiting

The oversubscribed MDA/CMA limits the rate at which traffic can enter the MDA/CMA on a per port basis. If a port exceeds its configured limits then the excess traffic will be discarded, and 802.3x flow control frames (pause frames) are generated.

Packet Classification and Scheduling

The classification and scheduling function implemented on the oversubscribed MDA/CMA ensures that traffic is correctly prioritized when the bus from the MDA/CMA to the IOM is overcommitted. This could occur if the policing parameters configured are such that the sum of the traffic being admitted into the MDA/CMA is greater than 10 Gbps.

The classification function uses the bits set in the DSCP or Dot1p fields of the customer packets to perform classification. It can also identify locally addressed traffic arriving on network ports as Network Control packets. This classification on the oversubscribed MDA/CMA uses following rules:

- If the service QoS policy for the SAP (port or VLAN) uses the default classification policy, all traffic will be classified as Best Effort (be).
- If the service QoS policy for the SAP contains a Dot1p classification, the Dot1p field in the customer packets is used for classification on the MDA/CMA.
- If the service QoS policy for the SAP contains a DSCP classification, the DSCP field in the customer packets is used for classification on the MDA/CMA.
- If a mix of Dot1p and DSCP classification definitions are present in the service QoS policy then the field used to perform classification will be the type used for the highest priority definition. For example, if High Priority 1 is the highest priority definition and it specifies that the DSCP field should be used, then the DSCP field will be used for classification on the MDA/CMA and the Dot1p field ignored.

- If the service QoS policy for the SAP specifies IP or MAC filters for forwarding class identification, then traffic will be treated as Best Effort. Full MAC or IP classification is not possible on the MDA/CMA (but is possible on the IOM).
- The packet is classified into 16 classes. Typically, these are the eight forwarding classes and each packet is assigned one priority per forwarding class. After classification, the packet is offered to the queuing model. This queuing model is limited to three queues each having four thresholds. These thresholds define whether an incoming packet, after classification, is accepted in the queue or not. [Table 2](#) displays typical mapping of classes onto queues/threshold.

Table 2: Typical Mapping Of Classes Onto Queues/Threshold

Counter	{Queue	Threshold	Traffic Class}
0	{2	3	"fc-nc / in-profile" }
1	{2	2	"fc-nc / out-profile" }
2	{2	1	"fc-h1 / in-profile" }
3	{2	0	"fc-h1 / out-profile" }
4	{1	3	"fc-ef / in-profile" }
5	{1	2	"fc-ef / out-profile" }
6	{1	1	"fc-h2 / in-profile" }
7	{1	0	"fc-h2 / out-profile" }
8	{0	3	"fc-l1 / in-profile" }
9	{0	3	"fc-l1 / out-profile" }
10	{0	2	"fc-af / in-profile" }
11	{0	2	"fc-af / out-profile" }
12	{0	1	"fc-l2 / in-profile" }
13	{0	1	"fc-l2 / out-profile" }
14	{0	0	"fc-be / in-profile" }
15	{0	0	"fc-be / out-profile" }

A counter is associated with each mapping. Note that the above is an example and is dependent on the type of classification (such as dscp-exp, dot1p, etc.). When the threshold of a particular class is reached, packets belonging to that class will not be accepted in the queue. The packets will be dropped and the associated counter will be incremented.

The scheduling of the three queues is done in a strict priority, highest priority basis is associated with queue 0. This means that scheduling is done at queue level, not on the class that resulted from the classification. As soon as a packet has been accepted by the queue there is no way to differentiate it from other packets in the same queue (for example, another classification result not exceeding its threshold). All packets queued in the same queue will have the same priority from a scheduling point of view.

Channelized MDA/CMA Support

Channelized DS-1/E-1 CMA

Each 8-port channelized DS-1/E-1 CMA supports channelization down to DS-0. Each 8-port channelized DS-1/E-1 CMA supports 64 channel groups. This CMA is not supported on the 7450-ESS.

Channelized DS-3/E-3 MDA

Each 4-port or 12-port channelized DS-3/E-3 media dependent adapter (MDA) supports channelization down to digital signal level 0 (DS-0) using a maximum of 8 or 24 (respectively) 1.0/2.3 coaxial connectors. Each port consists of one receive (RX) coaxial connector and one transmit (TX) coaxial connector.

Each physical DS-3 connection can support a full clear-channel DS-3, or it can be channelized into independent DS-1/E-1 data channels. Each DS1/E1 channel can then be further channelized down to DS-0s. E-3 ports do not support channelization. They only support clear channel operation.

Each DS-3/E-3 MDA supports 512 channels with DS-0 timeslots that are used in the DS-1/E-1 channel-group.

This MDA is not supported on the 7450-ESS.

Channelized CHOC-12/STM-4 MDA

Each 1-port channelized OC-12/STM-4 MDA supports channelization down to DS-0 and accepts one OC-12/STM-4 SFP small form factor pluggable (SFP) module. The same SFP optics used on Alcatel-Lucent's SONET/SDH cards can be used on the channelized OC-12/STM-4 MDA.

Each channelized OC-12/STM-4 supports 512 channels with DS-0 timeslots that are used in the DS-1/E-1 channel-group. DS-3 TDM channels can be further channelized to DS-1/E-1 channel groups. An E3 TDM channel cannot be channelized and can only be configured in clear channel operation.

Channelized CHOC-3/STM-1 MDA

Each 4-port channelized OC-3/STM-1 MDA supports channelization down to DS-0 and accepts one OC-3/STM-1 SFP small form factor pluggable (SFP) module. The same SFP optics used on Alcatel-Lucent's SONET/SDH cards can be used on the channelized OC-3/STM-1 MDA.

Each channelized OC-3/STM-1 supports 512 channels with DS-0 timeslots that are used in the DS-1 channel-group. DS-3 TDM channels can be further channelized to DS-1/E-1 channel groups. An E3 TDM channel cannot be channelized and can only be configured in clear channel operation.

This MDA is not supported on the 7450-ESS.

Channelized Any Service Any Port (ASAP) CHOC-3/STM-1

Each port for the channelized ASAP OC-3/STM-1 MDA supports channelization down to DS-0 and accepts one OC-3/STM-1 SFP small form factor pluggable (SFP) module. The same SFP optics used on Alcatel-Lucent's SONET/SDH MDAs can be used on the channelized ASAP OC-3/STM-1 MDA.

Each channelized OC-3/STM-1 supports up to 512 channels with DS-0 timeslots with per channel encapsulation configuration (for example, Frame Relay, PPP, cHDLC, ATM). DS-3 TDM channels can be further channelized to DS-1/E-1 channel groups. An E3 TDM channel cannot be channelized and can only be configured in clear channel operation. The MDA is based on a programmable data path architecture that enables enhanced L1 and L2 data path functionality, for example ATM TM features, MDA-based channel/port queuing, or multilink applications like Inverse ATM Multiplexing (IMA).

Channelized OC-12/STM-4 ASAP MDAs

The 4-port channelized OC-12/STM-4 variant of the ASAP MDAs have features and channelization options similar to the 4-port channelized OC-3/STM-1 ASAP MDA.

DS-3 TDM channels can be further channelized to DS-1/E-1 channel groups. An E-3 TDM channel cannot be channelized and can only be configured in clear channel operation.

Channelized DS-3/E-3 ASAP MDA (4-Port)

The 4-port MDA provides 4 ports configurable as DS-3 or E-3. The MDA has eight (8) 1.0/2.3 connectors and accepts up to eight (8) DS-3/E-3 coax patch cables.

Each physical DS-3 connection can support a full clear-channel DS-3, or it can be channelized into independent DS-1/E-1 data channels. Each DS-1/E-1 channel can then be further channelized down to DS-0s. E-3 ports do not support channelization, only clear channel operation.

Channelized DS-3/E-3 ASAP MDA (12-Port)

The 12-port MDA provides 12 ports configurable as DS-3 or E-3. The MDA has twenty-four (24) 1.0/2.3 connectors and accepts up to twenty-four (24) DS-3/E-3 coax patch cables.

Each physical DS-3 connection can support a full clear-channel DS-3, or it can be channelized into independent DS-1/E-1 data channels. Each DS-1/E-1 channel can then be further channelized down to DS-0s. E-3 ports do not support channelization, only clear channel operation.

Channelized OC-3/STM-1 Circuit Emulation Services (CES) CMA and MDA

The channelized OC-3/STM-1/OC-12/STM-4 CES MDAs (c1-choc3-ces-sfp / m1-choc3-ces-sfp, m4-choc3-ces-sfp, m1-choc12-ces-sfp) provide an industry leading consolidation for DS-1, E-1 and n*64kbps for CES. The CES MDAs are supported on IOM-2 and IOM-3XP in the 7750 SR.

The channelized OC-3/STM-1/OC-12/STM-4 CES CMA/MDAs support CES. Circuit emulation services are interoperable with the existing 7705 SAR and 7250 SAS circuit emulation services. They are also interoperable with the 1850 TSS-5 circuit emulation services.

Two modes of circuit emulation are supported, unstructured and structured. Unstructured mode is supported for DS-1 and E-1 channels as per RFC4553 (SAToP). Structured mode is supported for n*64 kbps circuits as per RFC 5086, *Structure-Aware Time Division Multiplexed (TDM) Circuit Emulation Service over Packet Switched Network (CESoPSN)*. In addition, DS-1, E-1 and n*64 kbps circuits are also supported as per MEF8, *Circuit Emulation Services over Ethernet (CESoETH)* (Oct 2004). TDM circuits are optionally encapsulated in MPLS or Ethernet as per the applicable standards.

All channels on the CES CMA/MDA are supported as circuits to be emulated across the packet network. This includes DS-1, E-1 and n*64 kbps channels. Structure agnostic mode is supported for DS-1 and E-1 channels. Structure aware mode is supported for n*64 kbps channel groups in DS-1 and E-1 carriers. N*64 kbps circuit emulation supports basic and Channel

Associated Signaling (CAS) options. CAS configuration must be identical for all channel groups on a given DS-1 or E-1.

Circuits encapsulated in MPLS will use circuit pipes (Cpipes) to connect to the far end circuit. Cpipes support either SAP-spoke SDP or SAP-SAP connections.

Circuits encapsulated in Ethernet can be selected as a SAP in Epipes. Circuits encapsulated in Ethernet can be either SAP-spoke SDP or SAP-SAP connections for all valid epipe SAPs. An EC-ID and far-end destination MAC address must be configured for each circuit.

Each OC-3/STM-1 port can be independently configured to be loop-timed or node-timed. Each OC-3/STM-1 port can be configured to be a timing source for the node. Each DS-1 or E-1 channel can be independently configured to be loop-timed, node-timed, adaptive-timed, or differential-timed. One adaptive timed circuit is supported per CMA/MDA. The CES circuit configured for adaptive timing can be configured to be a timing source for the node. This is required to distribute network timing to network elements which only have packet connectivity to network.

On the 7750 SR-c12 CES CMA, a BITS port is also provided. The BITS port can be configured as one reference sources (ref1, ref2) in the system timing subsystem.

Network Interconnections

With the introduction of Alcatel-Lucent's 7750 SR-Series, the SR-Series product family can fill the needs of smaller service providers as well as the more remote point of presence (PoPs) locations for larger service providers. To support the use of lower speed links as network links in the likelihood that lower speed circuits are used as network or backbone links, the 7750 SR-Series supports a DS-1/E-1/DS-3/E-3 port (ASAP MDAs) or channel and an MLPPP bundle (ASAP MDAs) as network ports to transport and forwarding of all service types. This feature allows service providers to use lower speed circuits to interconnect small PoPs and CoS that do not require large amounts of network/backbone bandwidth.

Digital Diagnostics Monitoring

Some Alcatel-Lucent SFPs, XFPs, QSFPs, CFPs and the MSA DWDM transponder have Digital Diagnostics Monitoring (DDM) capability where the transceiver module maintains information about its working status in device registers including:

- Temperature
- Supply voltage
- Transmit (TX) bias current
- TX output power
- Received (RX) optical power

For the case of QSFP and CFPs, DDM Temperature and Supply voltage is available only at the Module level (to be shown in [Table 4](#)).

The section called [Statistics Collection on page 36](#) shows the following QSFP and CFP sample DDM and DDM Lane information:

The QSFP and CFPs, the number of lanes is indicated by DDM attribute “Number of Lanes : 4”.

Subsequently, each lane threshold and measured values are shown per lane.

If a given lane entry is not supported by the given QSFP or CFP specific model, then it will be shown as “-“ in the entry.

A sample QSFP and CFP lane information is provided below:

```

Transceiver Data
Transceiver Type      : QSFP+
Model Number         : 3HE06485AAAA01  ALU  IPUIBMY3AA
TX Laser Wavelength: 1310 nm
Number of Lanes      : 4
Connector Code       : LC
Manufacture date     : 2012/02/02
Serial Number        : 12050188
Part Number          : DF40GELR411102A
Optical Compliance   : 40GBASE-LR4
Link Length support: 10km for SMF
=====
Transceiver Digital Diagnostic Monitoring (DDM)
=====
Value High Alarm  High Warn  Low Warn  Low Alarm
-----
Temperature (C)   +35.6     +75.0     +70.0     +0.0     -5.0
Supply Voltage (V) 3.23      3.60      3.50      3.10      3.00
=====
Transceiver Lane Digital Diagnostic Monitoring (DDM)
=====
High Alarm  High Warn  Low Warn  Low Alarm

```

```

Lane Tx Bias Current (mA)          78.0      75.0      25.0      20.0
Lane Rx Optical Pwr (avg dBm)      2.30     2.00     -11.02    -13.01
-----
Lane ID Temp(C)/Alm      Tx Bias(mA)/Alm  Tx Pwr(dBm)/Alm  Rx Pwr(dBm)/Alm
-----
      1          -          43.5             -             0.42
      2          -          46.7             -            -0.38
      3          -          37.3             -             0.55
      4          -          42.0             -            -0.52
=====
Transceiver Type      : CFP
Model Number         : 3HE04821ABAA01  ALU  IPUIBHJDAA
TX Laser Wavelength: 1294 nm                      Diag Capable      : yes
Number of Lanes      : 4
Connector Code       : LC                               Vendor OUI        : 00:90:65
Manufacture date     : 2011/02/11                       Media             : Ethernet
Serial Number        : C22CQYR
Part Number          : FTLC1181RDNL-A5
Optical Compliance  : 100GBASE-LR4
Link Length support: 10km for SMF
=====
Transceiver Digital Diagnostic Monitoring (DDM)
=====
Value High Alarm  High Warn  Low Warn  Low Alarm
-----
Temperature (C)   +48.2     +70.0     +68.0     +2.0     +0.0
Supply Voltage (V) 3.24      3.46      3.43      3.17     3.13
=====
Transceiver Lane Digital Diagnostic Monitoring (DDM)
=====
High Alarm  High Warn  Low Warn  Low Alarm
-----
Lane Temperature (C)      +55.0     +53.0     +27.0     +25.0
Lane Tx Bias Current (mA) 120.0     115.0     35.0      30.0
Lane Tx Output Power (dBm) 4.50      4.00      -3.80     -4.30
Lane Rx Optical Pwr (avg dBm) 4.50      4.00     -13.00    -16.00
-----
Lane ID Temp(C)/Alm      Tx Bias(mA)/Alm  Tx Pwr(dBm)/Alm  Rx Pwr(dBm)/Alm
-----
      1          +47.6          59.2             0.30            -10.67
      2          +43.1          64.2             0.27            -10.31
      3          +47.7          56.2             0.38            -10.58
      4          +51.1          60.1             0.46            -10.37
=====

```

The transceiver is programmed with warning and alarm thresholds for low and high conditions that can generate system events. These thresholds are programmed by the transceiver manufacturer.

There are no CLI commands required for DDM operations, however, the **show>port port-id detail** command displays DDM information in the Transceiver Digital Diagnostics Monitoring output section.

DDM information is populated into the router's MIBs, so the DDM data can be retrieved by Network Management using SNMP. Also, RMON threshold monitoring can be configured for the

DDM MIB variables to set custom event thresholds if the factory-programmed thresholds are not at the desired levels.

The following are potential uses of the DDM data:

- Optics degradation monitoring — With the information returned by the DDM-capable optics module, degradation in optical performance can be monitored and trigger events based on custom or the factory-programmed warning and alarm thresholds.
- Link/router fault isolation — With the information returned by the DDM-capable optics module, any optical problem affecting a port can be quickly identified or eliminated as the potential problem source.

Supported real-time DDM features are summarized in [Table 3](#).

Table 3: Real-Time DDM Information

Parameter	User Units	SFP/XFP Units	SFP	XFP	MSA DWDM
Temperature	Celsius	C	Supported	Supported	Supported
Supply Voltage	Volts	μ V	Supported	Supported	Not supported
TX Bias Current	mA	μ A	Supported	Supported	Supported
TX Output Power	dBm (converted from mW)	mW	Supported	Supported	Supported
RX Received Optical Power4	dBm (converted from dBm) (Avg Rx Power or OMA)	mW	Supported	Supported	Supported
AUX1	parameter dependent (embedded in transceiver)	-	Not supported	Supported	Not supported
AUX2	parameter dependent (embedded in transceiver)	-	Not supported	Supported	Not supported

The factory-programmed DDM alarms and warnings that are supported are summarized in [Table 4](#).

Table 4: DDM Alarms and Warnings

Parameter	SFP/XFP Units	SFP	XFP	Required?	MSA DWDM
Temperature - High Alarm - Low Alarm - High Warning - Low Warning	C	Yes	Yes	Yes	Yes
Supply Voltage - High Alarm - Low Alarm - High Warning - Low Warning	μ V	Yes	Yes	Yes	No
TX Bias Current - High Alarm - Low Alarm - High Warning - Low Warning	μ A	Yes	Yes	Yes	Yes
TX Output Power - High Alarm - Low Alarm - High Warning - Low Warning	mW	Yes	Yes	Yes	Yes
RX Optical Power - High Alarm - Low Alarm - High Warning - Low Warning	mW	Yes	Yes	Yes	Yes
AUX1 - High Alarm - Low Alarm - High Warning - Low Warning	parameter dependent (embedded in transceiver)	No	Yes	Yes	No

Table 4: DDM Alarms and Warnings (Continued)

Parameter	SFP/XFP Units	SFP	XFP	Required?	MSA DWDM
AUX2 - High Alarm - Low Alarm - High Warning - Low Warning	parameter dependent (embedded in transceiver)	No	Yes	Yes	No

Alcatel-Lucent SFPs and XFPs

The availability of the DDM real-time information and warning/alarm status is based on the transceiver. It may or may not indicate that DDM is supported. Although some Alcatel-Lucent SFPs support DDM, Alcatel-Lucent has not required DDM support in releases prior to Release 6.0. Non-DDM and DDM-supported SFPs are distinguished by a specific ICS value.

For Alcatel-Lucent SFPs that do not indicate DDM support in the ICS value, DDM data is available although the accuracy of the information has not been validated or verified.

For non-Alcatel-Lucent transceivers, DDM information may be displayed, but Alcatel-Lucent is not responsible for formatting, accuracy, etc.

Statistics Collection

The DDM information and warnings/alarms are collected at one minute intervals, so the minimum resolution for any DDM events when correlating with other system events is one minute.

Note that in the Transceiver Digital Diagnostic Monitoring section of the **show port *port-id* detail** command output:

- If the present measured value is higher than the either or both High Alarm, High Warn thresholds; an exclamation mark “!” displays along with the threshold value.
- If the present measured value is lower than the either or both Low Alarm, Low Warn thresholds; an exclamation mark “!” displays along with the threshold value.

```
B:SR7-101# show port 2/1/6 detail
.....
=====
Transceiver Digital Diagnostic Monitoring (DDM), Internally Calibrated
=====
                Value High Alarm  High Warn   Low Warn  Low Alarm
-----
Temperature (C)      +33.0+98.0  +88.0      -43.0-45.0
Supply Voltage (V)   3.31 4.12   3.60       3.00 2.80
Tx Bias Current (mA) 5.7 60.0   50.00.1  0.0
Tx Output Power (dBm) -5.45 0.00  -2.00      -10.50  -12.50
Rx Optical Power (avg dBm) -0.65-3.00! -4.00!    -19.51  -20.51
=====
```

Ports

Port Types

Before a port can be configured, the slot must be provisioned with a card type and MDA type .

The Alcatel-Lucent routers support the following port types:

- Ethernet — Supported Ethernet port types include:
 - Fast Ethernet (10/100BASE-T)
 - Gigabit (1000BASE-T)
 - 10Gigabit Ethernet (10GBASE-X) ports on an appropriate MDA.

Router ports must be configured as either access, hybrid or network. The default is network.

- Access ports — Configured for customer facing traffic on which services are configured. If a Service Access Port (SAP) is to be configured on the port or channel, it must be configured as an access port or channel. When a port is configured for access mode, the appropriate encapsulation type must be configured to distinguish the services on the port or channel. Once a port has been configured for access mode, one or more services can be configured on the port or channel depending on the encapsulation value.
- Network ports — Configured for network facing traffic. These ports participate in the service provider transport or infrastructure network. Dot1q is supported on network ports.
- Hybrid ports — Configured for access and network facing traffic. While the default mode of an Ethernet port remains network, the mode of a port cannot be changed between the access/network/hybrid values unless the port is shut down and the configured SAPs and/or interfaces are deleted. Hybrid ports allow a single port to operate in both access and network modes. MTU of port in hybrid mode is the same as in network mode except for the 10/100 MDA. The default encap for hybrid port mode is dot1q; it also supports QinQ encapsulation on the port level. Null hybrid port mode is not supported. Hybrid mode on the 7750 SR-1 is not supported.

Once the port is changed to hybrid, the default MTU of the port is changed to match the value of 9212 bytes currently used in network mode (higher than an access port); this is to ensure that both SAP and network VLANs can be accommodated. The only exception is when the port is a 10/100 fast Ethernet. In those cases, the MTU in hybrid mode is set to 1522 bytes, which corresponds to the default access MTU with QinQ, which is larger than the network dot1q MTU or access dot1q MTU for this type of Ethernet port. The configuration of all parameters in access and network contexts will continue to be done within the port using the same CLI hierarchy as in existing

implementation. The difference is that a port configured in mode hybrid allows both ingress and egress contexts to be configured concurrently.

An Ethernet port configured in hybrid mode can have two values of encapsulation type: dot1q and QinQ. The NULL value is not supported since a single SAP is allowed, and can be achieved by configuring the port in the access mode, or a single network IP interface is allowed, which can be achieved by configuring the port in network mode. Hybrid mode can be enabled on a LAG port when the port is part of a single chassis LAG configuration. When the port is part of a multi-chassis LAG configuration, it can only be configured to access mode since MC-LAG is not supported on a network port and consequently is not supported on a hybrid port. The same restriction applies to a port that is part of an MC-Ring configuration.

For a hybrid port, the amount of the allocated port buffers in each of ingress and egress is split equally between network and access contexts using the following **config>port>hybrid-buffer-allocation>ing-weight access access-weight [0..100] network network-weight [0..100]** and **config>port>hybrid-buffer-allocation>egress-weight access access-weight [0..100] network network-weight [0..100]** commands.

Adapting the terminology in buffer-pools, the port's access active bandwidth and network active bandwidth in each ingress and egress are derived as follows (egress formulas shown only):

- total-hybrid-port-egress-weights = access-weight + network-weight
- hybrid-port-access-egress-factor = access-weight / total-hybrid-port-egress-weights
- hybrid-port-network-egress-factor = network-weight / total-hybrid-port-egress-weights
- port-access-active-egress-bandwidth = port-active-egress-bandwidth x hybrid-port-access-egress-factor
- port-network-active-egress-bandwidth = port-active-egress-bandwidth x hybrid-port-network-egress-factor

When a named pool policy is applied to the hybrid port's MDA or to the hybrid port, the port's fair share of total buffers available to the MDA is split into three parts: default pools, named pools local to the port, and named pools on the ports MDA. This allocation can be altered by entering the corresponding values in the **port-allocation-weights** parameter.

- SONET-SDH and TDM — Supported SONET-SDH and TDM port types include:
 - n*DS-0 inside DS-1/E-1
 - DS-1/E-1DS-3/E-3
 - OC3/STM-1
 - OC12/STM-4
 - OC48/STM-16
 - OC192/STM-64 SONET/SDH

→ OC768/STM-256

A SONET/SDH port/path or a TDM port/channel can be configured with the following encapsulations depending on the MDA type:

→ Frame Relay

→ PPP

→ cHDLC

- ATM

Some MDAs support ATM encapsulation on SONET/SDH and TDM ports. The ATM cell format and can be configured for either UNI or NNI cell format. The format is configurable on a SONET/SDH or TDM port/channel path basis. All VCs on a path, channel or port must use the same cell format. The ATM cell mapping can also be configured on per-interface basis for either Direct or PLCP on some MDAs (for example ASAP MDA).

- Several Media Dependent Adapters (MDAs) support channelization down to the DS-0 level. ATM, Frame Relay, PPP, and cHDLC are supported encapsulations on channelized ports.
- Link Aggregation (LAG) — LAG can be used to group multiple ports into one logical link. The aggregation of multiple physical links allows for load sharing and offers seamless redundancy. If one of the links fails, traffic will be redistributed over the remaining links.
- Multilink Bundles — A multilink bundle is a collection of channels on channelized ports that physically reside on the same MDA. Multilink bundles are used by providers who offer either bandwidth-on-demand services or fractional bandwidth services (fraction of a DS-3/E-3 for example). Multilink bundles are supported over PPP channels (MLPPP) and ATM channels (IMA).
- APS — Automatic Protection Switching (APS) is a means to provide redundancy on SONET equipment to guard against linear unidirectional or bidirectional failures. The network elements (NEs) in a SONET/SDH network constantly monitor the health of the network. When a failure is detected, the network proceeds through a coordinated predefined sequence of steps to transfer (or switchover) live traffic to the backup facility (called protection facility.) This is done very quickly to minimize lost traffic. Traffic remains on the protection facility until the primary facility (called working facility) fault is cleared, at which time the traffic may optionally be reverted to the working facility.
- Bundle Protection Group (BPGGrp) — A BPGGrp is a collection of two bundles created on the APS Group port. Working bundle resides on the working circuit of the APS group, while protection bundle resides on the protection circuit of the APS group. APS protocol running on the circuits of the APS Group port monitors the health of the SONET/SDH line and based on it or administrative action moves user traffic from one bundle to another in the group as part of an APS switch.
- Cross connect adaptor (CCA) — A CCA on a VSM module interconnects the egress forwarding path on the IOM directly to the ingress forwarding path. This eliminates the

need for the physical port MAC, PHY, cable and other MDA-specific components producing a less costly and more reliable adapter.

- Optical Transport Network (OTN) — Including OTU2, OTU2e, and OTU3. OTU2 encapsulates 10-Gigabit Ethernet WAN and adds FEC (Forward Error Correction). OTU2e encapsulates 10-Gigabit Ethernet LAN and adds FEC (Forward Error Correction). OTU3 encapsulated OC768 and adds FEC.

Port Features

- [Port State and Operational State on page 41](#)
 - [802.1x Network Access Control on page 43](#)
 - [SONET/SDH Port Attributes on page 49](#)
→ [SONET/ SDH Path Attributes on page 49](#)
 - [Multilink Frame Relay on page 51](#)
 - [FRF.12 End-to-End Fragmentation on page 54](#)
 - [FRF.12 UNI/NNI Link Fragmentation on page 55](#)
 - [MLFR/FRF.12 Support of APS, BFD, and Mirroring Features on page 55](#)
 - [Multilink Point-to-Point Protocol \(MLPPP\) on page 56](#)
 - [Link Fragmentation and Interleaving Support on page 60](#)
 - [Multi-Class MLPPP on page 61](#)
 - [Cisco HDLC on page 68](#)
 - [Automatic Protection Switching \(APS\) on page 71](#)
 - [Inverse Multiplexing Over ATM \(IMA\) on page 101](#)
-

Port State and Operational State

There are two port attributes that are related and similar but have slightly different meanings: Port State and Operational State (or Operational Status).

The following descriptions are based on normal individual ports. Many of the same concepts apply to other objects that are modeled as ports in SR-OS such as PPP/IMA/MLFR multilink bundles or APS groups but the show output descriptions for these objects should be consulted for the details.

- Port State
 - Displayed in port summaries such as **show port** or **show port 1/1**
 - `tmnxPortState` in the TIMETRA-PORT-MIB
 - Values: None, Ghost, Down (linkDown), Link Up, Up
- Operational State
 - Displayed in the show output of a specific port such as **show port 2/1/3**
 - `tmnxPortOperStatus` in the TIMETRA-PORT-MIB
 - Values: Up (inService), Down (outOfService)

The behavior of Port State and Operational State are different for a port with link protocols configured (Eth OAM, Eth CFM or LACP for ethernet ports, LCP for PPP/POS ports). A port with link protocols configured will only transition to the **Up** Port State when the physical link is up and all the configured protocols are up. A port with no link protocols configured will transition from Down to Link Up and then to Up immediately once the physical link layer is up.

The SR-OS linkDown and linkUp log events (events 2004 and 2005 in the snmp application group) are associated with transitions of the port Operational State. Note that these events map to the RFC 2863, *The Interfaces Group MIB*, (which obsoletes RFC 2233, *The Interfaces Group MIB using SMIV2*) linkDown and linkUp traps as mentioned in the SNMPv2-MIB.

An Operational State of **Up** indicates that the port is ready to transmit service traffic (the port is physically up and any configured link protocols are up). The relationship between port Operational State and Port State in SR-OS is shown in the following table:

Table 5: Relationship of Port State and Oper State

Port State (as displayed in the show port summary)	Operational State (Oper State or Oper Status) (as displayed in “show port x/y/z”)	
	For ports that have no link layer protocols configured	For ports that have link layer protocols configured (PPP, LACP, 802.3ah EFM, 802.1ag Eth-CFM)
Up	Up	Up
Link Up (indicates the physical link is ready)	Up	Down
Down	Down	Down

802.1x Network Access Control

The Alcatel-Lucent 7750 SR supports network access control of client devices (PCs, STBs, etc.) on an Ethernet network using the IEEE 802.1x standard. 802.1x is known as Extensible Authentication Protocol (EAP) over a LAN network or EAPOL.

802.1x Modes

The Alcatel-Lucent 7750 SR supports port-based network access control for Ethernet ports only. Every Ethernet port can be configured to operate in one of three different operation modes, controlled by the port-control parameter:

- **force-auth** — Disables 802.1x authentication and causes the port to transition to the authorized state without requiring any authentication exchange. The port transmits and receives normal traffic without requiring 802.1x-based host authentication. This is the default setting.
- **force-unauth** — Causes the port to remain in the unauthorized state, ignoring all attempts by the hosts to authenticate. The switch cannot provide authentication services to the host through the interface.
- **auto** — Enables 802.1x authentication. The port starts in the unauthorized state, allowing only EAPOL frames to be sent and received through the port. Both the router and the host can initiate an authentication procedure as described below. The port will remain in unauthorized state (no traffic except EAPOL frames is allowed) until the first client is authenticated successfully. After this, traffic is allowed on the port for all connected hosts.

802.1x Basics

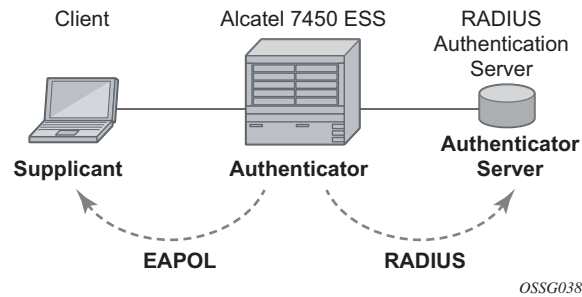


Figure 1: 802.1x Architecture

The IEEE 802.1x standard defines three participants in an authentication conversation (see [Figure 1](#)).

- The supplicant — This is the end-user device that requests access to the network.
- The authenticator — Controls access to the network. Both the supplicant and the authenticator are referred to as Port Authentication Entities (PAEs).
- The authentication server — Performs the actual processing of the user information.

The authentication exchange is carried out between the supplicant and the authentication server, the authenticator acts only as a bridge. The communication between the supplicant and the authenticator is done through the Extended Authentication Protocol (EAP) over LANs (EAPOL). On the back end, the communication between the authenticator and the authentication server is done with the RADIUS protocol. The authenticator is thus a RADIUS client, and the authentication server a RADIUS server.

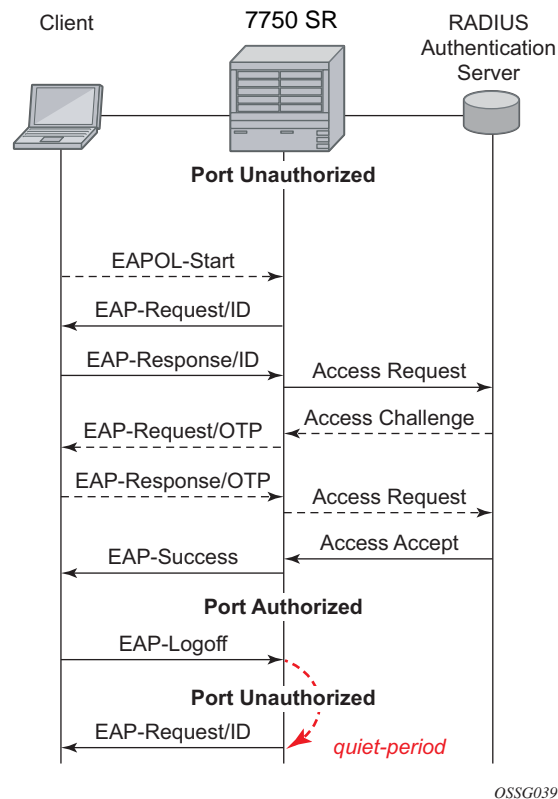


Figure 2: 802.1x Authentication Scenario

The messages involved in the authentication procedure are illustrated in [Figure 2](#). The router will initiate the procedure when the Ethernet port becomes operationally up, by sending a special PDU called EAP-Request/ID to the client. The client can also initiate the exchange by sending an EAPOL-start PDU, if it doesn't receive the EAP-Request/ID frame during bootup. The client responds on the EAP-Request/ID with a EAP-Response/ID frame, containing its identity (typically username + password).

After receiving the EAP-Response/ID frame, the router will encapsulate the identity information into a RADIUS AccessRequest packet, and send it off to the configured RADIUS server.

The RADIUS server checks the supplied credentials, and if approved will return an Access Accept message to the router. The router notifies the client with an EAP-Success PDU and puts the port in authorized state.

802.1x Timers

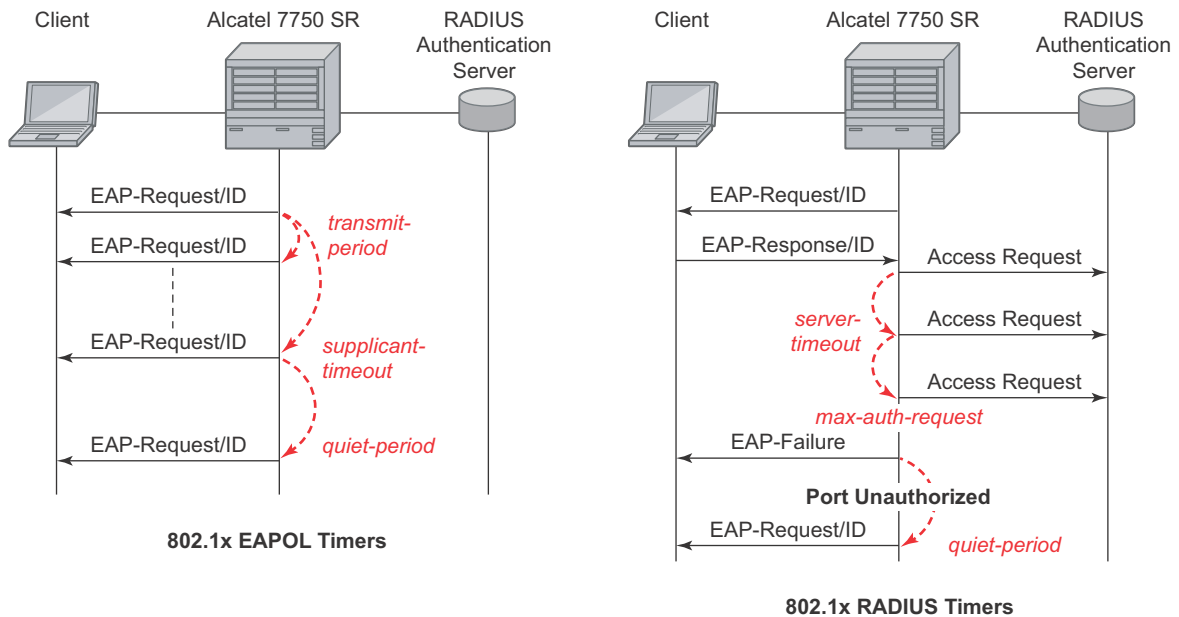
The 802.1x authentication procedure is controlled by a number of configurable timers and scalars. There are two separate sets, one for the EAPOL message exchange and one for the RADIUS message exchange. See [Figure 3](#) for an example of the timers.

EAPOL timers:

- *transit-period* — Indicates how many seconds the Authenticator will listen for an EAP-Response/ID frame. If the timer expires, a new EAP-Request/ID frame will be sent and the timer restarted. The default value is 60. The range is 1-3600 seconds.
- *supplicant-timeout* — This timer is started at the beginning of a new authentication procedure (transmission of first EAP-Request/ID frame). If the timer expires before an EAP-Response/ID frame is received, the 802.1x authentication session is considered as having failed. The default value is 30. The range is 1 — 300.
- *quiet-period* — Indicates number of seconds between authentication sessions It is started after logoff, after sending an EAP-Failure message or after expiry of the supplicant-timeout timer. The default value is 60. The range is 1 — 3600.

RADIUS timer and scalar:

- *max-auth-req* — Indicates the maximum number of times that the router will send an authentication request to the RADIUS server before the procedure is considered as having failed. The default value is value 2. The range is 1 — 10.
- *server-timeout* — Indicates how many seconds the authenticator will wait for a RADIUS response message. If the timer expires, the access request message is sent again, up to *max-auth-req* times. The default value is 60. The range is 1 — 3600 seconds.



OSSG040-7750

Figure 3: 802.1x EAPOL Timers (left) and RADIUS Timers (right)

The router can also be configured to periodically trigger the authentication procedure automatically. This is controlled by the `enable re-authentication` and `reauth-period` parameters. `Reauth-period` indicates the period in seconds (since the last time that the authorization state was confirmed) before a new authentication procedure is started. The range of `reauth-period` is 1 — 9000 seconds (the default is 3600 seconds, one hour). Note that the port stays in an authorized state during the re-authentication procedure.

802.1x Tunneling

Tunneling of untagged 802.1x frames received on a port is supported for both Epipe and VPLS service using either null or default SAPs (for example 1/1/1:*) when the port dot1x port-control is set to force-auth.

When tunneling is enabled on a port (using the command configure **port *port-id* ethernet dot1x tunneling**), untagged 802.1x frames are treated like user frames and are switched into Epipe or VPLS services which have a corresponding null SAP or default SAP on that port. In the case of a default SAP, it is possible that other non-default SAPs are also present on the port. Untagged 802.1x frames received on other service types, or on network ports, are dropped. This is supported on FP2 or higher hardware.

When tunneling is required, it is expected that it is enabled on all ports into which 802.1x frames are to be received. The configuration of dot1x must be configured consistently across all ports in LAG as this is not enforced by the system.

Note that 802.1x frames are treated like user frames, that is, tunneled, by default when received on a spoke or mesh SDP.

802.1x Configuration and Limitations

Configuration of 802.1x network access control on the router consists of two parts:

- Generic parameters, which are configured under **config>security>dot1x**
- Port-specific parameters, which are configured under **config>port>ethernet>dot1x**

801.x authentication:

- Provides access to the port for any device, even if only a single client has been authenticated.
- Can only be used to gain access to a pre-defined Service Access Point (SAP). It is not possible to dynamically select a service (such as a VPLS service) depending on the 802.1x authentication information.

SONET/SDH Port Attributes

One OC-3 / STM-1 port is supported on the CMA. One OC-3 / STM-1 port is supported on the MDA. The ports can be configured for either SONET or SDH operation. SONET ports are configured for channelized OC-3 operation. SDH ports can be configured for channelized STM-1 operation.

The port's transmit clock rate can be node or loop timed. The port's receive clock rate can be used as a synchronization source for the system. The Section Trace (C1) byte can be configured by the user to ensure proper physical cabling. The port can activate and deactivate local line and internal loopbacks.

All SONET/SDH line alarms are configurable to be either enabled (default) or disabled. Link hold timers can be configured in 100ms increments to control link up and link down indications. The line signal degradation bit error rate (ber-sd) threshold and the line signal failure bit error rate (ber-sf) threshold can be configured.

The CMAs and MDAs support all standard SR OC-3/STM-1 SFP optics including multi-mode, intermediate reach, and long reach. Single fiber mode is not supported.

The CMA contains 3 LEDs for power, status and link state of port #1. The MDA contains LEDs for power, status and one for each link state. The power LED is blue if power is connected and off if no power is present. The status LED is green when operationally up, amber when operationally down, off when administratively shutdown and blinking green during initialization. The link state LED is green when the link is established; amber when the link is down; and unlit when the port is shutdown.

SONET/ SDH Path Attributes

Any CES path can only be configured to operate in access mode. Each path has a configurable text description. The SONET/SDH signal label byte (C2) is configurable. The SONET/SDH path trace string (J1) is configurable. Payload scrambling can not be enabled on CES paths. The valid SONET and SDH path configurations are shown in [Table 6](#).

Table 6: Valid SONET and SDH Path Configurations

Framing	Path Configuration Options Per Physical Port	Max Number of Paths Per Physical Port
SDH	STM1>AUG1>VC4>TUG3>TUG2>VC12>E1 STM1>AUG1>VC3>TUG2>VC12>E1	63 E1 or 512 n*64kbps
SONET	OC3>STS1 SPE>DS3>E1	

Table 6: Valid SONET and SDH Path Configurations

Framing	Path Configuration Options Per Physical Port	Max Number of Paths Per Physical Port
SONET	OC3>STS1 SPE>VT GROUP>VT1.5 SPE>DS1	84 DS1 or 512 n*64kbps
SONET	OC3>STS1 SPE>DS3	3 DS3
SONET	OC3>STS1 SPE>DS3>DS1	84 DS1, 63 E1 or 512 n*64kbps
SDH	STM1>AUG1>VC4>TUG3>TUG2>TU11> VC11>DS1 STM1>AUG1>VC3>TUG2>VC11>DS1	84 DS1 or 512 n*64kbps
SDH	STM1>AUG1>VC3>DS3>DS1	84 DS1, 63 E1 or 512 n*64kbps
SDH	STM1>AUG1>VC4>TUG3>VC3>E3 STM1>AUG1>VC3>E3	3 E3
SDH	STM1>AUG1>VC3>DS3	3 DS3
SDH	STM1>AUG1>VC3>DS3>E1	3 DS3

All SONET/SDH path alarms are configurable to be either enabled (the default) or disabled. The MTU size is configurable per path in the range of 512 to 2092. The path uses a default MTU size set to equal the largest possible CES packet size.

Load balancing options are not applicable to channelized CES paths.

Multilink Frame Relay

MLFR is a bundling capability allowing users to spray FR frame fragments over multiple T1/E1 links. This allows a dynamic provisioning of additional bandwidth by adding incremental bandwidth between T1/E1 and DS3/E3. A MLFR bundle increases fault tolerance and improves QoS characteristics since one single large frame of low priority cannot block a higher priority frame.

A MLFR supports up to eight (8) member links and a maximum of 128 bundles with up to 336 T1 / 252 E1 members links can be configured per MDA. NxDS0 circuits or higher speed circuits are not supported.

The MLFR implementation supports FRF.16.1 bundle link integrity protocol to verify serviceability of a member link.

MLFR Bundle Data Plane

FRF.16.1 reuses the UNI/NNI fragmentation procedures defined in FRF.12. Frames on all FR SAP on the MLFR bundle have the UNI/NNI fragmentation header added regardless if they are fragmented or not. A separate sequence number state machine is used for each FR SAP configured on the bundle. The fragmentation threshold is configurable in the range 128-512 bytes.

In order to provide priority based scheduling of the FR SAP fragments over the bundle links, the user configures a FR scheduling class for each FR SAP configured on the bundle. As in MC-MLPPP, four scheduling classes are supported.

A separate fragmentation context is used by each FR SAP. FR SAPs of the same scheduling class share the same egress FR scheduling class queue with fragments of each SAP packets stored contiguously. The fragments from each scheduling class queue are then sprayed over the member links. Furthermore, the user may select the option to not fragment but spray the FR frames with the fragmentation header included over the member links.

Received fragments over the member links are re-assembled on a per SAP basis to re-create the original FR frame.

A user is not allowed to add an FR SAP with FRF.12 e2e fragmentation enabled to an MLFR bundle. Conversely, the user cannot enable FRF.12 e2e fragmentation on an FR SAP configured on an MLFR bundle. If an FR frame with the e2e fragmentation header is received on a bundle, it is forwarded if the FR SAP is part of an Fpipe service. It will be discarded if the FR SAP is part of any other service.

Note that the operator must disable LMI before adding a link to an MLFR bundle. Also, the operator must shut down the bundle in order to change the value of the fragmentation threshold.

An FR SAP configured on an MLFR bundle can be part of a VLL, VPLS, IES, or VPRN service.

MLFR Bundle Link Integrity Protocol

FRF.16.1 defines a MLFR Bundle Link Integrity Protocol which verifies the serviceability of a member link. If a problem is found on the member link the link integrity protocol will identify the problem, flag the link as unusable, and adjust the Bundle's available bandwidth. For MLFR Bundles the link integrity protocol is always enabled.

For each member link of a bundle the link integrity protocol will do the following:

- Confirm frame processing capabilities of each member link.
- Verify membership of a link to a specific remote bundle.
- Report to the remote end of the member link the bundle to which the link belongs
- Detect loopbacks on the member link. This is always enabled on the 7750 SR. The near-end monitors the magic number Information Element (IE) sent by the far-end and if its value matches the one it transmitted in ten consecutive control messages, it sends a `remove_link` message to the far-end and brings the link down. The near-end will attempt to add the link until it succeeds.
- Estimate propagation delay on the member link. The differential delay is calculated as follows in the 7750 SR implementation. Every time the near-end sends an `add_link` or Hello message to the far-end, it includes the Timestamp Information Element (IE) with the local time the packet was sent. FRF16.1 standard requires that the remote equipment includes the timestamp IE and copies the received timestamp value unchanged if the sender included this IE. When the far-end node sends back the ACK for these messages, the near-end calculates the round trip time. The 7750 SR implementation maintains a history of the last "N" round-trip-times that were received. It takes the fastest of these samples for each member link to find out the member link with the fastest RTT. Then for each link it calculates the difference between the fastest links RTT, and the RTT for the current link. The user has the option to coordinate link removal between the local and remote equipment. Note, however, that in the 7750 implementation, the addition of a link will be hitless but the removing a link is not.

Specifically, the MLFR Bundle Link Integrity Protocol defines the following control messages:

- `ADD_LINK`
- `ADD_LINK_ACK`
- `ADD_LINK_REJ`
- `HELLO`

- HELLO_ACK
- REMOVE_LINK
- REMOVE_LINK_ACK

The control messages are encapsulated in a single-fragment frame where the C-bit, the B-bit, and the E-bit are all set. The details of the message format are given in FRF.16.1. [Table 7](#) lists the user configured control parameters with values as specified in FRF.16.1.

Table 7: FRF.16.1 Values

Parameter	Default Value	Minimum Value	Maximum Value
Timer T_HELLO	10 seconds	1 second	180 seconds
Timer T_ACK	4 seconds	1 second	10
Count N_MAX_RETRY	2	1	5

T_HELLO Timer - this timer controls the rate at which hello messages are sent. Following a period of T_HELLO duration, a HELLO message is transmitted onto the Bundle Link.

Note that T_HELLO Timer is also used, during the Bundle Link adding process, as an additional delay before re-sending an ADD_LINK message to the peer Bundle Link when this peer Bundle Link does not answer as expected.

T_ACK Timer - this timer defines the maximum period to wait for a response to any message sent onto the Bundle Link before attempting to retransmit a message onto the Bundle Link.

N_RETRY - this counter specifies the number of times a retransmission onto a Bundle Link will be attempted before an error is declared and the appropriate action taken.

FRF.12 End-to-End Fragmentation

The user enables FRF.12 e2e fragmentation on a per FR SAP basis. A fragmentation header is added between the standard Q.922 header and the payload. This header consists of a 2-byte Network Layer Protocol ID (NLPID) of value 0xB1 to indicate e2e fragmentation payload and a 2-byte containing the Beginning bit (B-bit), the End-bit (E-bit), the Control bit (C-bit), and the Sequence Number field.

The following is the mode of operation for the fragmentation in the transmit direction of the FR SAP. Frames of all the FR SAP forwarding class queues are subject to fragmentation. The fragmentation header is, however, not included when the frame size is smaller than the user configured fragmentation size. The SAP transmits all fragments of a frame before sending the next full or fragmented frame. The fragmentation threshold is configurable in the range 128 — 512 bytes. In the receive direction, the SAP accepts a full frame interleaved with fragments of another frame to interoperate with other vendor implementations.

A FR SAP with FRF.12 e2e fragmentation enabled can be part of a VPLS service, an IES service, a VPRN service, an Ethernet VLL service, or an IP VLL service. This SAP cannot be part of a FR VLL service or an FRF.5 VLL service. However, fragmented frames received on such VLLs will be passed transparently as in current implementation.

SAP Fragment Interleaving Option

This option provides a different mode of operation for the fragmentation in the transmit direction of the FR SAP than in the default behavior of a FRF.12 end-to-end fragmentation. It allows for the interleaving of high-priority frames and fragments of low-priority frames.

When the interleave option is enabled, only frames of the FR SAP non expedited forwarding class queues are subject to fragmentation. The frames of the FR SAP expedited queues are interleaved, with no fragmentation header, among the fragmented frames. In effect, this provides a behavior like in MLPPP Link Fragment Interleaving (LFI). The receive direction of the FR SAP supports both modes of operation concurrently, for example, with and without fragment interleaving.

FRF.12 UNI/NNI Link Fragmentation

The user enables FRF.12 UNI/NNI link fragmentation on a per FR circuit basis. All FR SAPs configured on this circuit are subject to fragmentation. A fragmentation header is added on top of the standard Q.922 header. This header consists of 2 bytes containing the beginning bit (B-bit), the End-bit (E-bit), the Control bit (C-bit), and the sequence number field. The fragmentation header is included on frames of all SAPs regardless if the frame size is larger or not than the fragment size.

The FECN, BECN, and DE bits of all fragments of a given FR frame are set to the same value as the original frame. The FECN, BECN, and DE bits of a re-assembled frame are set to the logical OR of the corresponding bits on the constituent fragments.

The operator must delete all configured FR SAPs on a port before enabling or disabling FRF.12 UNI/NNI on that port. Also, the user must shut down the port in order to change the value of the fragmentation threshold.

A FR SAP on a FR circuit with FRF.12 UNI/NNI fragmentation enabled can be part of a VLL, VPLS, IES, or VPRN service.

QoS for a link with FRF.12 UNI/NNI fragmentation is the same as for a MLFR bundle. The FR class queue parameters and its scheduling parameters are configured by applying an egress QoS profile to an FRF.12 UNI/NNI port. The FR scheduling class ingress re-assembly timeout is not applicable to a FRF.12 UNI/NNI port.

MLFR/FRF.12 Support of APS, BFD, and Mirroring Features

The following APS support is provided:

- Single-chassis APS is supported on a SONET/SDH port with FRF.12 UNI/NNI fragmentation enabled on the port or on a constituent TDM circuit.
- Single-chassis APS is supported on a SONET/SDH port with FRF.12 e2e fragmentation enabled on one or more FR SAPs on the port or on a constituent TDM circuit.
- Single-chassis APS is not supported on a SONET/SDH port with MLFR bundles configured.
- Multi-chassis APS is not supported on a SONET/SDH port with FR encapsulation configured on the port or on a constituent TDM circuit.

The following BFD support is provided:

- BFD is supported on an IP interface configured over a FR SAP with e2e fragmentation enabled.
- BFD is supported on an IP interface configured over a FR SAP on a port or channel with UNI/NNI fragmentation enabled.
- BFD is not supported on an FR SAP configured on an MLFR bundle.

The following mirroring support is provided:

- Port mirroring and FR SAP mirroring on an MLFR bundle.
- IP mirroring for an FR SAP on an MLFR bundle.
- A mirror source can be an MLFR bundle or a FR SAP on an FR bundle.
- Mirror destinations must be FR SAPs and must not be part of an APS group or an MLFR bundle.

Multilink Point-to-Point Protocol (MLPPP)

Multilink point-to-point protocol is defined in the IETF RFC 1990, *The PPP Multilink Protocol (MP)*, and provides a way to distribute data across multiple links within an MLPPP bundle to achieve high bandwidth. MLPPP allows for a single frame to be fragmented and transmitted across multiple links. This allows for lower latency and also allows for a higher maximum receive unit (MRU).

MP is negotiated during the initial LCP option negotiations of a standard PPP session. A router indicates to its peer that it is willing to perform MLPPP by sending the MP option as part of the initial LCP option negotiation. This negotiation indicates the following:

1. The system offering the option is capable of combining multiple physical links into one logical link;
2. The system is capable of receiving upper layer protocol data units (PDU) fragmented using the MP header and reassembling the fragments back into the original PDU for processing;
3. The system is capable of receiving PDUs of size N octets where N is specified as part of the option even if N is larger than the maximum receive unit (MRU) for a single physical link.

Once MLPPP has been successfully negotiated, the sending system is free to send PDUs encapsulated and/or fragmented with the MP header.

MP introduces a new protocol type with a protocol ID (PID) of 0x003d. [Figure 4](#) and [Figure 5](#) show the MLPPP fragment frame structure. Framing to indicate the beginning and end of the

encapsulation is the same as that used by PPP, and described in PPP in HDLC-like framing [RFC 1662]. MP frames use the same HDLC address and control pair value as PPP, namely: Address - 0xFF and Control - 0x03. The two octet protocol field is also structured the same as in PPP encapsulation. A summary of the MP encapsulation is shown in [Figure 4](#).

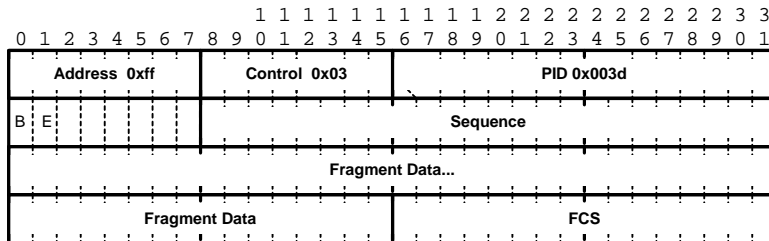


Figure 4: MLPPP 24-bit Fragment Format

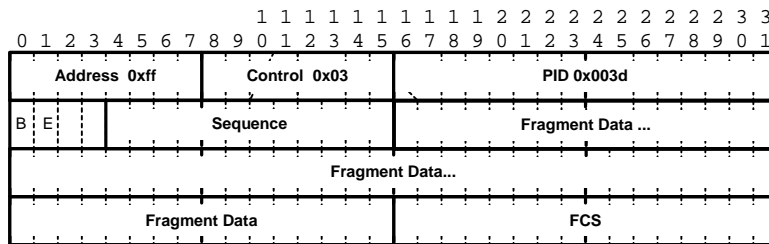


Figure 5: MLPPP 12-bit Fragment Format

The required and default format for MP is the 24-bit format. During the LCP state the 12-bit format can be negotiated. The SR-series routers can support and negotiate the alternate 12-bit frame format.

Protocol Field (PID)

The protocol field is two octets its value identifies the datagram encapsulated in the Information field of the packet. In the case of MP the PID also identifies the presence of a 4-octet MP header (or 2-octet, if negotiated).

A PID of 0x003d identifies the packet as MP data with an MP header.

The LCP packets and protocol states of the MLPPP session follow those defined by PPP in RFC 1661, *The Point-to-Point Protocol (PPP)*. The options used during the LCP state for creating an MLPPP NCP session are described below.

B & E Bits

The B&E bits are used to indicate the epoch of a packet. Ingress packets to the MLPPP process will have an MTU, which may or may not be larger than the MRRU of the MLPPP network. The B&E bits manage the fragmentation of ingress packets when it exceeds the MRRU.

The B-bit indicates the first (or beginning) packet of a given fragment. The E-bit indicates the last (or ending) packet of a fragment. If there is no fragmentation of the ingress packet both B&E bits are set true (=1).

Sequence Number

Sequence numbers can be either 12 or 24 bits long. The sequence number is zero for the first fragment on a newly constructed AVC bundle and increments by one for each fragment sent on that bundle. The receiver keeps track of the incoming sequence numbers on each link in a bundle and reconstructs the desired unbundled flow through processing of the received sequence numbers and B&E bits. For a detailed description of the algorithm refer to RFC 1990.

Information Field

The Information field is zero or more octets. The Information field contains the datagram for the protocol specified in the protocol field.

The MRRU will have the same default value as the MTU for PPP. The MRRU is always negotiated during LCP.

Padding

On transmission, the Information field of the ending fragment may be padded with an arbitrary number of octets up to the MRRU. It is the responsibility of each protocol to distinguish padding octets from real information. Padding must not be added to any but the last fragment (the E-bit set true).

FCS

The FCS field of each MP packet is inherited from the normal framing mechanism from the member link on which the packet is transmitted. There is no separate FCS applied to the reconstituted packet as a whole if transmitted in more than one fragment.

LCP

The Link Control Protocol (LCP) is used to establish the connection through an exchange of configure packets. This exchange is complete, and the LCP opened state entered, once a Configure-Ack packet has been both sent and received.

LCP allows for the negotiation of multiple options in a PPP session. MLPPP is somewhat different than PPP and therefore the following options are set for MLPPP and not negotiated:

- No async control character map
- No link quality monitoring
- No compound frames
- No self-describing-padding

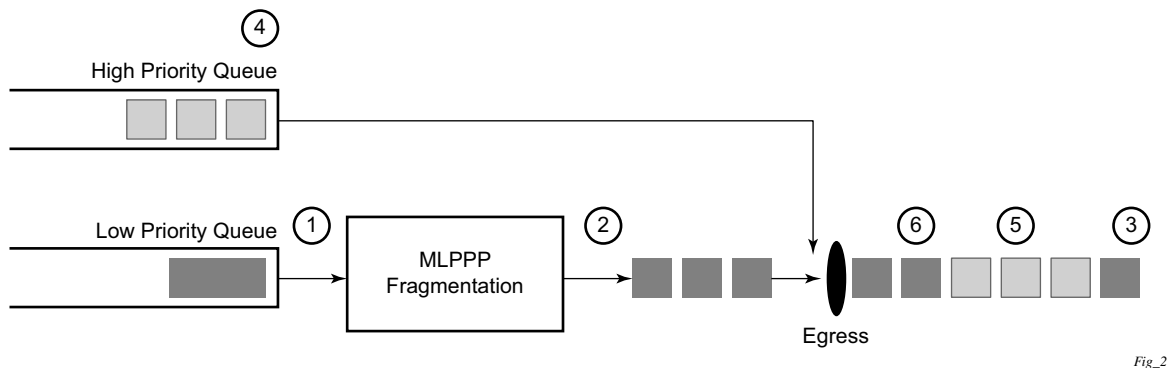
Any non-LCP packets received during this phase must be silently discarded.

Link Fragmentation and Interleaving Support

Link Fragmentation and Interleaving (LFI) provides the ability to interleave high priority traffic within a stream of fragmented lower priority traffic. This feature helps avoid excessive delays to high priority, delay-sensitive traffic over a low-speed link. This can occur if this traffic type shares a link with lower priority traffic that utilizes much larger frames. Without this ability, higher priority traffic must wait for the entire packet to be transmitted before being transmitted, which could result in a delay that is too large for the application to function properly.

For example, if VoIP traffic is being sent over a DS-1 or fractional DS-1 which is also used for Best Effort Internet traffic, LFI could be used so the small (usually 64-128B) VoIP packets can be transmitted between the transmission of fragments from the lower priority traffic.

Figure 6 shows the sequence of events as low priority and high priority frames arrive and are handled by LFI.



Fig_2

Figure 6: Frame Sequence of Events

1. A low priority frame arrives in the low priority queue. At this particular instant, there are no packets in the high priority queue so low priority frame is de-queued and passed to the fragmentation mechanism for MLPPP.
2. The original packet is divided into 'n' fragments based on the size of the packet and the fragment threshold configuration.
3. The fragments are then transmitted out the egress port.
4. After the transmission of the fragments has begun, high priority frames arrive in the high priority queue.
5. The transmission of the remaining fragments stops and the high priority packets are transmitted out the egress interface. Note that high priority packets are not fragmented.
6. When the high priority traffic is transmitted, the remaining lower priority fragments are then transmitted.

On the ingress side, LFI requires that the ingress port can receive non-fragmented packets within the fragment stream and pass these packets directly on to the forwarding engine and then continue with the reassembly process for the fragmented frames.

Multi-Class MLPPP

Multi-class MLPPP (MC-MLPPP) allows for the prioritization of multiple types of traffic flowing between the cell site routers and the mobile operator's aggregation routers. MC-MLPPP is an extension of the MLPPP standard which allows multiple classes of service to be transmitted over a MLPPP bundle. Originally (Figure 7), link fragmentation and interleaving (LFI) was added to MLPPP that allowed two classes, but in some applications, two classes of service can be insufficient.

The MLPPP header includes two class bits to allow for up to four classes of service (Figure 8). This enhancement to the MLPPP header format is detailed in RFC 2686, *The Multi-Class Extension to Multi-Link PPP*. This allows multiple classes of services over a single MLPPP connection and allows the highest priority traffic to be transmitted over the MLPPP bundle with minimal delay regardless of the order in which packets are received.

Table 8: Multi-Class PPP

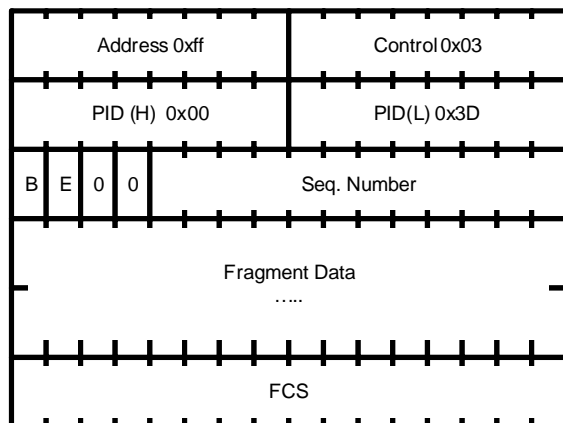


Figure 7: Original MLPPP Header Format

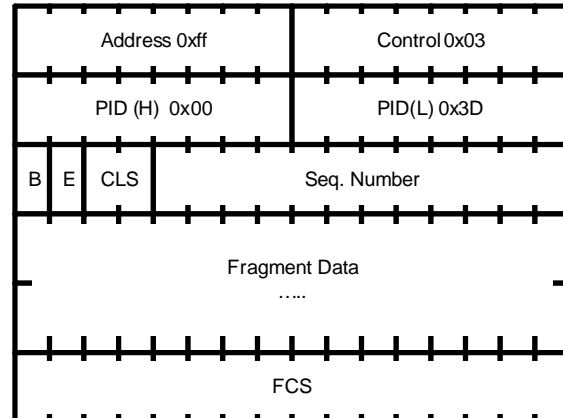


Figure 8: MC-MLPPP Short Sequence Header Format

The new MC-MLPPP header format uses the two (previously unused) bits before the sequence number as the class identifier. This allows four distinct classes of service to be identified into separate re-assembly contexts.

QoS in MC-MLPPP

If the user enables the multiclass option under an MLPPP bundle, the MDA egress data path provides a queue for each of the 4 classes of MLPPP. The user configures the required number of MLPPP classes to use on a bundle. The forwarding class of the packet, as determined by the ingress QoS classification, is used to determine the MLPPP class for the packet and hence which of the four egress MDA queues to store the packet. The mapping of forwarding class to MLPPP class is a function of the user configurable number of MLPPP classes. The default mapping for a 4-class, 3-class, and 2-class MLPPP bundle is shown in [Table 9](#).

Table 9: Default Packet Forwarding Class to MLPPP Class Mapping

FC ID	FC Name	Scheduling Priority (Default)	MLPPP Class 4-class bundle	MLPPP Class 3-class bundle	MLPPP Class 2-class bundle
7	NC	Expedited	0	0	0
6	H1	Expedited	0	0	0
5	EF	Expedited	1	1	1
4	H2	Expedited	1	1	1
3	L1	Non-Expedited	2	2	1
2	AF	Non-Expedited	2	2	1
1	L2	Non-Expedited	3	2	1
0	BE	Non-Expedited	3	2	1

[Table 10](#) shows a different mapping enabled when the user applies one of three pre-defined egress QoS profiles in the 4-class bundle configuration only.

Table 10: Packet Forwarding Class to MLPPP Class Mapping

FC ID	FC Name	Scheduling Priority (Default)	MLPPP Class (MLPPP Egress QoS profile 1, 2, and 3)
7	NC	Expedited	0
6	H1	Expedited	0
5	EF	Expedited	1
4	H2	Expedited	2
3	L1	Non-Expedited	2
2	AF	Non-Expedited	2
1	L2	Non-Expedited	2
0	BE	Non-Expedited	3

The MLPPP class queue parameters and its scheduling parameters are also configured by applying one of the three pre-defined egress QoS profiles to an MLPPP bundle.

Table 11 and Figure 9 provide the details of the class queue threshold parameters. Packets marked with a high drop precedence, such as out-of-profile, by the service or network ingress QoS policy will be discarded when any class queue reaches the OOP threshold. Packet with a low drop precedence marking, such as in-profile, will be discarded when any class queue reaches the max threshold.

Table 11: MLPPP Class Queue Threshold Parameters

	Class 0		Class 1		Class 2		Class 3	
Queue Threshold (in ms @ Available bundle rate)	Max	Oop	Max	Oop	Max	Oop	Max	Oop
2-Class Bundle Default Egress QoS Profile	250	125	750	375	N/A	N/A	N/A	N/A
3-Class Bundle Default Egress QoS Profile	50	25	200	100	750	375	N/A	N/A
4-Class Bundle Default Egress QoS Profile	10	5	50	25	150	75	750	375
4-Class Bundle Egress QoS Profile 1	25	12	5	3	200	100	1000	500
4-Class Bundle Egress QoS Profile 2	25	12	5	3	200	100	1000	500
4-Class Bundle Egress QoS Profile 3	25	12	5	3	200	100	1000	500

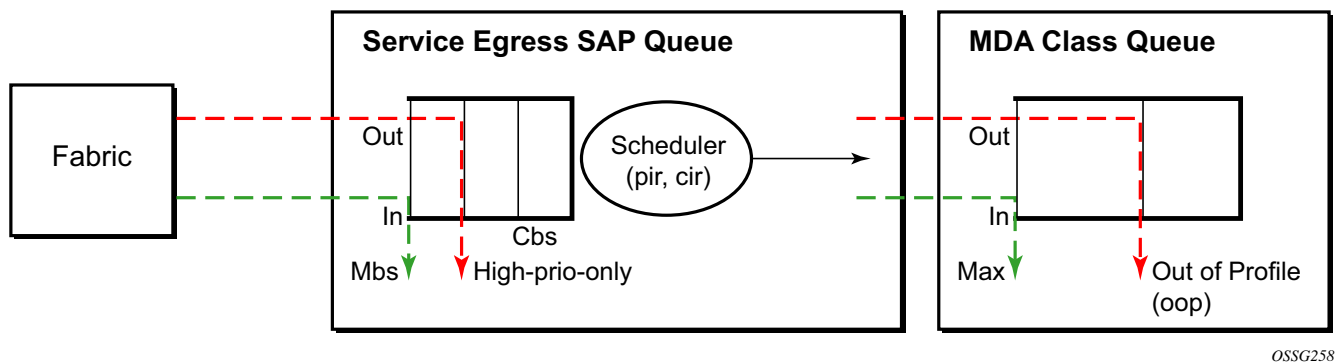


Figure 9: MLPPP Class Queue Thresholds for In-Profile and Out-of-Profile Packets

Table 12 and Figure 10 provide the details of the class queue scheduling parameters.

Table 12: MLPPP Class Queue Scheduling Parameters

		WRR Parameters			
4-class MLPPP Egress QoS Profile	MIR	W1	W2	W3	
Profile 1	85%	<1%	66%	33%	
Profile 2	90%	<1%	89%	10%	
Profile 3	85%	<1%	87%	12%	

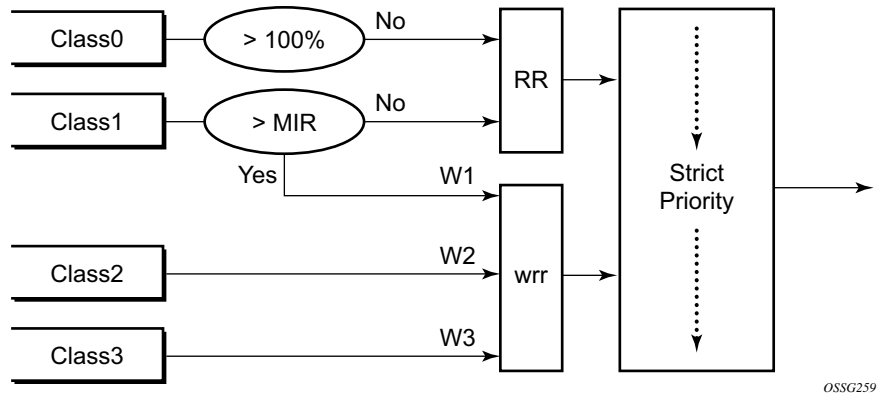


Figure 10: MLPPP Class Queue Scheduling Scheme

Note that all queue threshold and queue scheduling parameters are adjusted to the available bundle rate. If a member link goes down or a new member link is added to the bundle, the scheduling parameters MIR, W1, W2, W3, as well as the per class queue thresholds OOP and max are automatically adjusted to maintain the same values.

Class 0 queue is serviced at MLPPP at available bundle rate. Class 1 queue is guaranteed a minimum service rate but is allowed to share additional bandwidth with class 2 and 3 queues based on the configuration of WRR weight W1.

Class queues 2 and 3 can be given bandwidth guarantee by limiting MIR of class 1 queue to less than 100% and by setting the WRR weights W1, W2, and W3 to achieve the desired bandwidth distribution among all three class queues.

Note that there is one queue per bundle member link to carry link control packets, such as LCP: PPP, and which are serviced with strict priority over the 4 class queues (not shown).

In the default 2-class, 3-class, and 4-class egress QoS profile, the class queues are service with strict priority in ascending order of class number.

Ingress MLPPP Class Reassembly

For a MLPPP bundle with the multi-class option enabled, there is a default profile for setting the re-assembly timer value for each class. When the pre-defined MLPPP ingress QoS profile 1 is applied to a 4-class bundle, the values of the timers are modified as shown in [Table 13](#).

Table 13: MLPPP Ingress QoS Profile: Reassembly Timers (msec)

	Class 0	Class 1	Class 2	Class 4
MLPPP ingress QoS default profile (2-Class bundle)	25ms	25ms	NA	NA
MLPPP ingress QoS default profile (3-Class bundle)	25ms	25ms	25ms	NA
MLPPP ingress QoS default profile (4-Class bundle)	25ms	25ms	100ms	1000ms
MLPPP ingress QoS profile 1 (4-class bundle)	10	10	100	1000

Configuring MC-MLPPP QoS Parameters

A 4-class MLPPP bundle can be configured with user-defined MLPPP QoS attributes. This feature cannot be used with MC-MLPPP bundles with fewer than 4 classes or with non-multiclass bundles.

The following describe the parameters and the configuration processes and rules

1. The user creates an ingress QoS profile in the **mlppp-profile-ingress** context, to configure a preferred value of the ingress per-class re-assembly timer. Ingress QoS profile 1 is reserved for the pre-defined profile with parameter values displayed in [Table 13](#). The user is allowed to edit this profile and change parameter values. When a user creates a profile with a profile-id greater than 1, or performs the no option command on the parameter, the parameter's default value will always be the 1 in [Table 13](#) for ingress QoS Profile #1 regardless of the parameter value the edited Profile 1 has at that point
2. The user creates an egress QoS profile in the **mlppp-profile-egress** context to configure preferred values for the per-class queue and queue scheduling parameters. The user can also configure system forwarding class mapping to the MLPPP classes. Egress QoS profiles 1, 2, and 3, are reserved for the pre-defined profiles with parameter values shown in [Table 10](#), [Table 11](#), or [Table 12](#). Users can edit these profiles and change parameter values. When a user creates a profile with a profile-id higher than 3, or when the user specifies the no option command on the parameter, the default value will be the one shown in [Table 10](#), [Table 11](#), or [Table 12](#) for the egress QoS Profile 1. This is regardless of the parameter value the edited profiles have at that point in time.
3. A maximum of 128 ingress and 128 egress QoS profiles can be created on the system.
4. The values of the ingress per-class re-assembly timer are configured in the ingress QoS profile.
5. The mapping of the system forwarding classes to the MLPPP Classes are configured in the egress QoS profile. There is a many-to-one relationship between the system FC and an MLPPP class. See [Table 10](#) for the mapping when one of the three pre-defined 4-class egress QoS profiles is selected.
6. The maximum size for each MLPPP class queue in units of msec at the available bundle rate is configured in the egress QoS profile. This is referred to as max in [Figure 9](#) and as max-queue-size in CLI. The out-of-profile threshold for an MLPPP class queue, referred to as oop in [Figure 9](#), is not directly configurable and is set to 50% of the maximum queue size rounded up to the nearest higher integer value.
7. The MLPPP class queue scheduling parameters is configured in the egress QoS profile. The minimum information rate, referred to as **MIR** in [Figure 10](#) and **mir** in CLI, applies to Class 1 queue only. The MIR parameter value is entered as a percentage of the available bundle rate. The WRR weight, referred to as W1, W2, and W3 in [Figure 10](#) and weight in CLI, applies to class 1, class 2, and class 3 queues. Note that W1 in [Figure 10](#) is not configurable and is internally set to a value of 1 such that Class 1 queue shares 1% of the available bundle rate when the sum of W1, W2, and W3 equals 100. W2 and W3 weights are integer values and are user configurable such that Class 2 queue shares (W2/

($W1 + W2 + W3$) and Class 3 queue shares ($W3/(W1 + W2 + W3)$) of the available bundle rate.

8. The user applies the ingress and egress QoS profiles to a 4-class MLPPP bundle for the configured QoS parameter values to take effect on the bundle.
9. The following operations require the bundles associated with a QoS profile to be shutdown to take effect.
 - A change of the numbered ingress or egress QoS profile associated with a bundle.
 - A change of the bundle associated ingress or egress QoS profile from default profile to a numbered profile and vice-versa.
10. The following operations can be performed without shutting down the associated bundles:
 - Changes to any parameters in the ingress and egress QoS profiles.

The CLI commands for the creation of ingress and egress QoS profiles and configuration of the individual QoS parameters are described in the OS Quality of Service Guide.

Cisco HDLC

Cisco HDLC (cHDLC) is an encapsulation protocol for information transfer. It is a bit-oriented synchronous data-link layer protocol that specifies a data encapsulation method on synchronous serial links using frame characters and checksums.

cHDLC monitors line status on a serial interface by exchanging keepalive request messages with peer network devices. It also allows routers to discover IP addresses of neighbors by exchanging Serial Link Address Resolution Protocol (SLARP) (see [SLARP on page 69](#)) address-request and address-response messages with peer network devices.

The basic frame structure of a cHDLC frame is shown in [Table 14](#). This frame structure is similar to PPP in an HDLC-link frame (RFC 1662, *PPP in HDLC-like Framing*). The differences to PPP in and HDLC-like frames are in the values used in the address, control, and protocol fields.

Table 14: cHDLC I-Frame

Flag	Address	Control	Protocol	Information Field	FCS
0x7E	0x0F/0x8F	0x00	—	—	16/32 bits

- Address field — The values of the address field include: 0x0F (unicast), 0x8F (broadcast).
- Control field — The control field is always set to value 0x00.
- Protocol field — The following values are supported for the protocol field:

Table 15: cHDLC Protocol Fields

Protocol	Field Value
IP	0x0800
Cisco SLARP	0x8035
ISO CLNP/ISO ES-IS DSAP/SSAP1	0xFEFE

- Information field — The length of the information field is in the range of 0 to 9Kbytes.
- FCS field — The FCS field can assume a 16-bit or 32-bit value. The default is 16-bits for ports with a speed equal to or lower than OC-3, and 32-bits for all other ports. The FCS for cHDLC is calculated in the same manner and same polynomial as PPP.

SLARP

An Alcatel-Lucent cHDLC interface will transmit a SLARP address resolution reply packet in response to a received SLARP address resolution request packet from peers. An Alcatel-Lucent cHDLC interface will not transmit SLARP address resolution request packets.

For the SLARP keepalive protocol, each system sends the other a keepalive packet at a user-configurable interval. The default interval is 10 seconds. Both systems must use the same interval to ensure reliable operation. Each system assigns sequence numbers to the keepalive packets it sends, starting with zero, independent of the other system. These sequence numbers are included in the keepalive packets sent to the other system. Also included in each keepalive packet is the sequence number of the last keepalive packet received from the other system, as assigned by the other system. This number is called the returned sequence number. Each system keeps track of the last returned sequence number it has received. Immediately before sending a keepalive packet, it compares the sequence number of the packet it is about to send with the returned sequence number in the last keepalive packet it has received. If the two differ by 3 or more, it considers the line to have failed, and will not route higher-level data across it until an acceptable keepalive response is received.

There is interaction between the SLARP address resolution protocol and the SLARP keepalive protocol. When one end of a serial line receives a SLARP address resolution request packet, it assumes that the other end has restarted its serial interface and resets its keepalive sequence numbers. In addition to responding to the address resolution request, it will act as if the other end had sent it a keepalive packet with a sequence number of zero, and a returned sequence number the same as the returned sequence number of the last real keepalive packet it received from the other end.

SONET/SDH Scrambling and C2-Byte

SONET/SDH scrambling and overhead for cHDLC follow the same rules used for POS (RFC 2615, *PPP over SONET/SDH*).

The two key SONET/SDH parameters are scrambling and signal-label (C2-byte). Scrambling is off by default. The default value of the C2-byte is 0xCF. These two parameters can be modified using the CLI. The other SONET overhead values (for example, j0) follow the same rules as the current POS implementation.

Ports

Timers

Cisco HDLC (cHDLC) has two timers associated with the protocol, the keepalive interval and the timeout interval. The keepalive interval is used to send periodic keepalive packets. The receiver process expects to receive a keepalive packet at the rate specified by the keepalive interval. The link is declared down if the receiver process does not receive a keepalive within the timeout interval. The link is declared up when the number of continual keepalive packets received equals the up-count.

It is recommended that the nodes at the two endpoints of the cHDLC link are provisioned with the same values.

Automatic Protection Switching (APS)

APS is designed to protect SONET/SDH equipment from linear unidirectional or bidirectional failures. The Network Elements (NEs) in a SONET/SDH network constantly monitor the health of the network. When a failure is detected, the network proceeds through a coordinated predefined sequence of steps to transfer (or switchover) live traffic to the backup facility (protection facility). This happens very quickly to minimize lost traffic. Traffic remains on the protection facility until the primary facility (working facility) fault is cleared, at which time the traffic may optionally be reverted to the working facility.

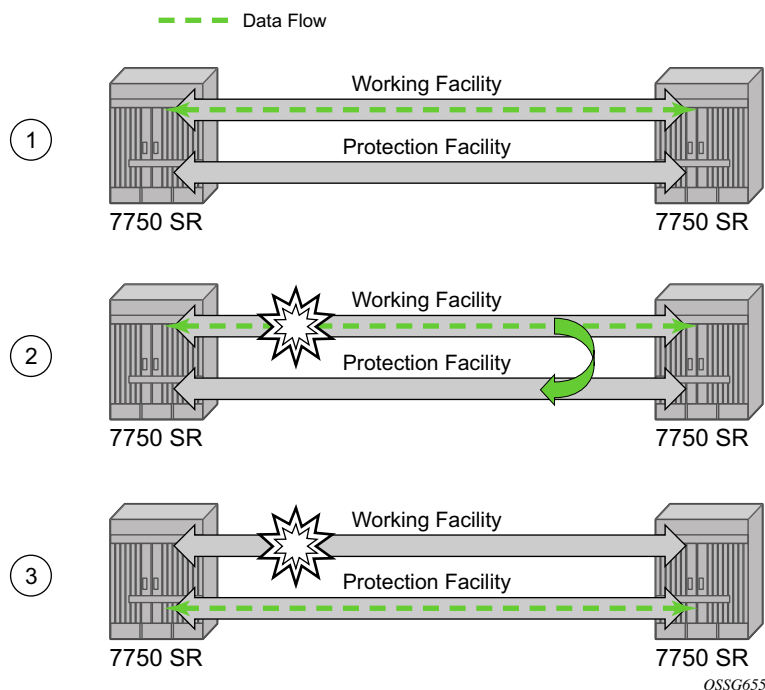


Figure 11: APS Protection (Single Chassis APS) and Switchover

Note that “facility” in the SR-OS context refers to the physical line (including intermediate transport/switching equipment) and directly attached line terminating hardware (SFP module, MDA and IOM). “Circuit” is also a term used for a link/facility (working-circuit).

A 1+1 APS group contains two circuits.

APS is configured on a port by port basis. If all ports on an MDA or IOM need to be protected then each port on the MDA or IOM must be individually added into an APS group.

Working and protection circuits can be connected to a variety of types of network elements (ADMs, DACSes, ATM switches, routers) and serve as an access or network port providing one or more services or network interfaces to the router. APS-protected SONET/SDH ports may be further channelized, and may contain bundled channels MLPPP or IMA Bundle Protection Groups). The ports may be one of a variety of encapsulation types as supported by the MDA including PPP, ATM, FR and more. For a definitive description of the MDAs, port types, switching modes, bundles and encapsulations supported with APS see [APS Applicability, Restrictions and Interactions on page 90](#).

This section discusses the different APS architectures and their implementations.

- [Single Chassis and Multi-Chassis APS on page 73](#)
- [APS Switching Modes on page 76](#)
- [APS Channel and SONET Header K Bytes on page 80](#)
- [Revertive Switching on page 84](#)
- [Bidirectional 1+1 Switchover Operation Example on page 84](#)
- [Protection of Upper Layer Protocols and Services on page 86](#)
- [APS User-Initiated Requests on page 87](#)
- [APS and SNMP on page 89](#)
- [APS Applicability, Restrictions and Interactions on page 90](#)
- [Sample APS Applications on page 94](#)

Single Chassis and Multi-Chassis APS

APS can operate in a single chassis configuration (SC-APS) or in a multi-chassis configuration (MC-APS).

An SC-APS group can span multiple ports, MDAs or IOMs within a single node whereas as MC-APS can span two separate nodes.

Table 16: SC-APS versus MC-APS Protection

	Single Chassis APS	Multi-Chassis APS
Short form name	SC-APS	MC-APS
Link failure protection (including intermediate transmission equipment failure)	Yes	Yes
Optical/electrical module (SPF, XPF) failure protection	Yes	Yes
MDA failure protection	Yes	Yes
IOM failure protection	Yes	Yes
Node failure protection	No	Yes

The support of SC-APS and MC-APS depends on switching modes, MDAs, port types and encaps. For a definitive description of the MDAs, port types, switching modes, bundles and encapsulations supported with APS, see [APS Applicability, Restrictions and Interactions on page 90](#).

APS on a Single Node (SC-APS)

In a single chassis APS both circuits of an aps group are terminated on the same node.

The working and protect lines of a single chassis APS group can be:

- Two ports on the same MDA.
- Two ports on different MDAs but on the same IOM.
- Two ports on different MDAs on two different IOMs (installed in different slots).

If the working and protection circuits are on the same MDA, protection is limited to the physical port and the media connecting the two devices. If the working and protection circuits are on different IOMs then protection extends to MDA or IOM failure. [Figure 12](#) shows a configuration that provides protection against circuit, port, MDA or IOM failure on the 7750 SR connected to an Add-Drop-Multiplexer (ADM).

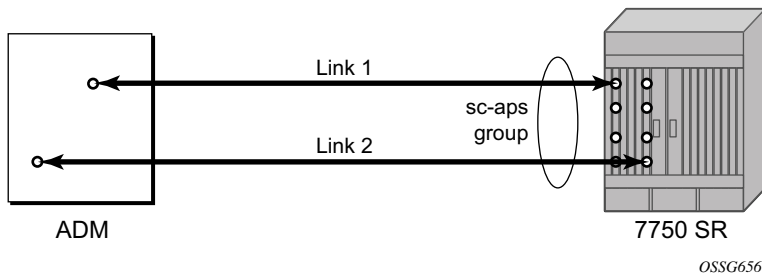


Figure 12: SC-APS Group with MDA and IOM Protection

APS Across Two Nodes (MC-APS)

Multi-Chassis APS functionality extends the protection offered by SC-APS to include protection against nodal (7750 SR) failure by configuring the working circuit of an APS group on one 7750 SR node while configuring the protect circuit of the same APS group on a different 7750 SR node.

These two nodes connect to each other with an IP link that is used to establish an MC-APS signalling path between the two 7750 SRs. Note that the working circuit and the protect circuit must have compatible configurations (such as the same speed, framing, and port-type). The relevant APS groups in both the working and protection routers must have same group ID, but they can have different names (for example, group port descriptions). Although the working and protection routers can be different platforms (7750 SR-7 and a 7750 SR-c12), switchover performance may be impacted so it is recommended to avoid a mix of platforms in the same MC-APS group where possible. The configuration consistency between the working circuit/router and

the protection circuit/router is not enforced by the 7750 SR. Service or network-specific configuration data is not signalled nor synchronized between the two service routers.

Signalling is provided using the direct connection between the two service routers. A heartbeat protocol can be used to add robustness to the interaction between the two routers. Signalling functionality includes support for:

- APS group matches between service routers.
- Verification that one side is configured as a working circuit and the other side is configured as the protect circuit. In case of a mismatch, a trap (incompatible neighbor) is generated.
- Change in working circuit status is sent from the working router to keep the protect router in sync.
- Protect router, based on K1/K2 byte data, member circuit status, and external request, selects the active circuit, and informs the working router to activate or de-activate the working circuit.

Note that external requests like lockout, force, and manual switches are allowed only on the APS group having the protection circuit.

The [Figure 13](#) illustrates a Multi-Chassis APS group being used to protect against link, port, MDA, IOM or node failure.

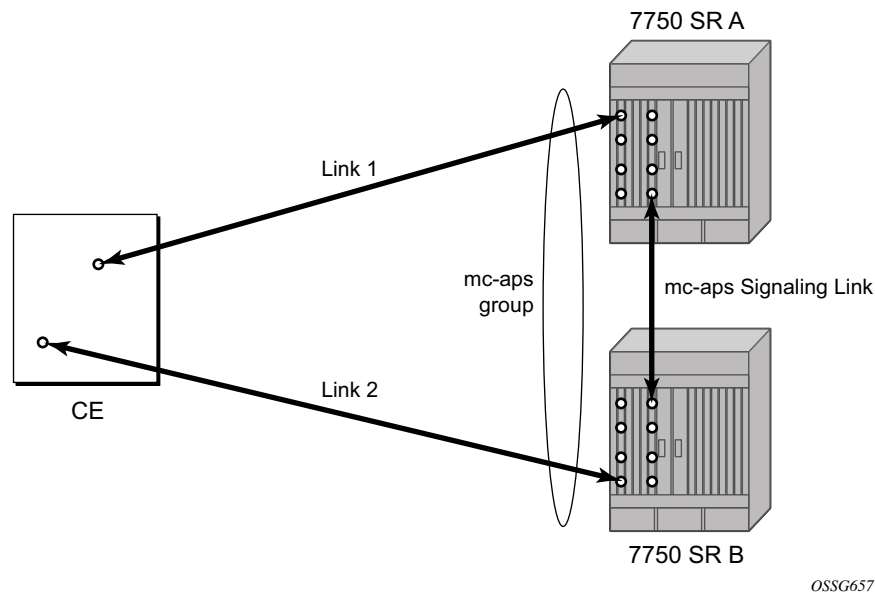


Figure 13: MC-APS Group Protects Against Node Failure

APS Switching Modes

APS behavior and operation differs based on the switching mode configured for the APS group. Several switching modes are supported in SR-OS.

The switching mode affects how the two directions of a link behave during failure scenarios and how APS tx operates.

Unidirectional / Bidirectional configuration must be the same at both sides of the APS group. The APS protocol (K byte messages) exchange switching mode information to ensure that both nodes can detect a configuration mismatch.

- If one end of an APS group is configured in a Unidirectional mode (Uni 1+1 Sig APS or Uni 1+1 Sig+Data APS) then the other end must also be configured in a Unidirectional mode (Uni 1+1 Sig+Data APS).
- If one end of an APS group is configured in a Bidirectional mode then the other end must also be configured in Bidirectional mode.

Table 17: APS Switching Modes

	Bidirectional 1+1 Signalling APS	Unidirectional 1+1 Signalling APS	Unidirectional 1+1 Signalling and Datapath APS
Short form name	Bidir 1+1 Sig APS	Uni 1+1 Sig APS	Uni 1+1 Sig+Data APS
CLI keyword	bi-directional	uni-directional	uni-1plus1
Interworks with a standards compliant APS implementation	Yes	Yes	Yes
Full 1+1 APS standards-based signalling	Yes	Yes	Yes
Data is transmitted simultaneously on both links/ circuits (1+1 Data)	No	No	Yes

The support of switching modes depends on SC-APS / MC-APS, MDAs, port types and encaps. For a definitive description of the MDAs, port types, switching modes, bundles and encapsulations supported with APS, see [APS Applicability, Restrictions and Interactions on page 90](#).

Bidirectional 1+1 Signalling APS

In Bidir 1+1 Sig APS switching mode the Tx data is sent on the active link only (it is not bridged to both links simultaneously). 1+1 signalling, however, is used for full interoperability with signalling-compliant 1+1 architectures.

In the ingress direction (Rx), the decision to accept data from either the working or protection circuit is based on both locally detected failures/degradation and on what circuit the far-end is listening on (as indicated in the K bytes). If the far-end indicates that it has switched its active receiver, then the local SR-OS node will also switch its receiver (and Tx) to match the far-end. If the local Rx changes from one circuit to another it notifies the far end using the K bytes.

In the egress direction (Tx), the data is only transmitted on the active circuit. If the active Rx changes, then Tx will also change to the same circuit.

Bidirectional 1+1 Signalling APS ensures that both directions of active data flow (including both Rx) are using the same link/circuit (using the two directions of the same fiber pair) as required by the APS standards. If one end of the aps group changes the active receiver, it will signal the far end using the K bytes. The far end will then also change its receiver to listen on the same circuit.

Because the router transmits on active circuits only and keeps active TX and RX on the same port, both local and remote switches are required to restore the service.

The APS channel (bytes K1 and K2 in the SONET header – K bytes) is used to exchange requests and acknowledgments for protection switch actions. In Bidirectional 1+1 Signalling APS switching mode, the router sends correct status on the K bytes and requires the far-end to also correctly update/send the K-bytes to ensure that data is transmitted on the circuit on which the far-end has selected as its active receiver.

Line alarms are processed and generated independently on each physical circuit.

In Bidirectional 1+1 Signalling APS mode, the highest priority local request is compared to the remote request (received from the far end node using an APS command in the K bytes), and whichever has the greater priority is selected. The relative priority of all events that affect APS 1+1 protection is listed in the [Table 18 on page 80](#) in descending order. The requests can be automatically initiated (such as signal failure or signal degrade), external (such as lockout, forced switch, request switch), and state requests (such as revert-time timers, etc.).

Unidirectional 1+1 Signalling APS

In Uni 1+1 Sig APS switching mode the Tx data is sent on the active link only (it is not bridged to both links simultaneously). 1+1 signalling, however, is used for full interoperability with signalling-compliant 1+1 architectures.

In the ingress direction (Rx), the decision to accept data from either the working or protection circuit is based on both locally detected failures/degradation and on what circuit the far-end is listening on (as indicated in the K bytes). Although it is not required in the APS standards, the SR-OS implementation of Unidirectional 1+1 Signalling APS uses standards based signaling to keep both the Rx and Tx on the same circuit / port. If the far-end indicates that it has switched its active receiver, then the local SR-OS node will also switch its receiver (and Tx) to match the far-end. If the local Rx changes from one circuit to another it notifies the far end using the K bytes.

In the egress direction (Tx), the data is only transmitted on the active circuit. If the active Rx changes, then Tx will also change to the same circuit.

Because the router transmits on active circuits only and keeps active TX and RX on the same port, both local and remote switches are required to restore the service. For a single failure a data outage is limited to a maximum of 100 milliseconds.

The APS channel (bytes K1 and K2 in the SONET header – K bytes) is used to exchange requests and acknowledgments for protection switch actions. In Unidirectional 1+1 Signalling APS switching mode, the router sends correct status on the K bytes and requires the far-end to also correctly update/send the K-bytes to ensure that data is transmitted on the circuit on which the far-end has selected as its active receiver.

Line alarms are processed and generated independently on each physical circuit.

In Unidirectional 1+1 Signalling APS switching mode:

- K-bytes are generated/transmitted based on local request/condition only (as required by the APS signalling).
- Local request priority is compliant to 1+1 U-APS specification.
- RX and TX are always forced on to the same (active) circuit (bi-directional). This has the following caveats:
 - If an APS switch is performed due to a local condition, then the TX direction will be moved as well to the newly selected RX circuit (old inactive). The router will send LAIS on the old active TX circuit to force the remote end to APS switch to the newly active circuit. Note that some local request may not cause an APS switch when a remote condition prevents both RX and TX direction to be on the same circuit (for example an SD detected locally on a working circuit will not cause a switch if the protection circuit is locked out by the remote end).

- If the remote end indicates an APS switch and the router can RX and TX on the circuit newly selected by the remote end, then the router will move its TX direction and will perform an APS switch of its RX direction (unless the router already TX and RX on the newly selected circuit).
- If the remote end indicates an APS switch and the router cannot RX and TX on the circuit newly selected by the remote end (for example due to a higher priority local request, like a force request or manual request, etc.), then L-AIS are sent on the circuit newly selected by the remote end to force it back to the previously active circuit.
- The sent L-AIS in the above cases can be either momentary or persistent. The persistent L-AIS is sent under the following conditions:
 - On the protection circuit when the protection circuit is inactive and cannot be selected due to local SF or Lockout Request.
 - On the working circuit as long as the working circuit remains inactive due to a local condition. The persistent L-AIS is sent to prevent revertive switching at the other end.

In all other cases a momentary L-AIS is sent. SR-OS provides debugging information that informs operators about the APS-induced L-AIS.

Unidirectional 1+1 Signalling and Datapath APS

Uni 1+1 Sig+Data APS supports unidirectional switching operations, 1+1 signaling and 1+1 data path.

In the ingress direction (Rx) switching is done based on local requests only as per the APS specifications. K-bytes are used to signal the far end the APS actions taken.

In the egress direction (Tx), the data is transmitted on both active and protecting circuits.

Each end of the aps group may be actively listening on a different circuit.

The APS channel (bytes K1 and K2 in the SONET header) is used to exchange APS protocol messages.

In Uni 1+1 Sig+Data APS a received L-RDI signal on the active circuit does not cause that circuit (port) to be placed out of service. The APS group can continue to use that circuit as the active receiver. This behavior is not configurable.

Uni 1+1 Sig+Data APS also supports configurable:

- Debounce timers for signal failure and degradation conditions
- Suppression of L-RDI alarm generation

APS Channel and SONET Header K Bytes

The APS channel (bytes K1 and K2 in the SONET header) is used to exchange APS protocol messages for all APS modes.

K1 Byte

The switch priority of a request is assigned as indicated by bits 1 through 4 of the K1 byte (as described in the rfc3498 APS-MIB).

Table 18: K1 Byte, Bits 1-4: Type of Request

Bit 1234	Condition
1111	Lockout of protection
1110	Force switch
1101	SF - High priority
1100	SF - Low priority
1011	SD - High priority
1010	SD - Low priority
1001	(not used)
1000	Manual switch
0111	(not used)
0110	Wait-to-restore
0101	(not used)
0100	Exercise
0011	(not used)
0010	Reverse request
0001	Do not revert
0000	No request

The channel requesting switch action is assigned by bits 5 through 8. When channel number 0 is selected, the condition bits show the received protection channel status. When channel number 1 is selected, the condition bits show the received working channel status. Channel values of 0 and 1 are supported.

[Table 19](#) displays bits 5-8 of a K1 byte and K2 Bits 1-4 and the channel number code assignments.

Table 19: K1 Byte, Bits 5-8 (and K2 Bits 1-4), Channel Number Code Assignments

Channel Number Code	Channel and Notes
0	Null channel. SD and SF requests apply to conditions detected on the protection line. For 1+1 systems, Forced and Request Switch requests apply to the protection line. Only code 0 is used with Lockout of Protection request.
1 — 14	Working channel. Only code 1 applies in a 1+1 architecture. Codes 1 through n apply in a 1:n architecture. SD and SF conditions apply to the corresponding working lines.
15	Extra traffic channel. May exist only when provisioned in a 1:n architecture. Only No Request is used with code 15.

K2 Byte

The K2 byte is used to indicate the bridging actions performed at the line-terminating equipment (LTE), the provisioned architecture and mode of operation.

The bit assignment for the K2 byte is listed in [Table 20](#).

Table 20: K2 Byte Functions

Bits 1-8	Function
1 — 4	Channel number. The 7750 SR supports only values of 0 and 1.
5	0 Provisioned for 1+1 mode. 1 Provisioned for 1:n mode.
6-8	111 Line AIS 110 Line RDI 101 Provisioned for bi-directional switching 100 Provisioned for uni-directional switching 011 (reserved for future use) 010 (reserved for future use) 001 (reserved for future use) 000 (reserved for future use)

Differences in SONET/SDH Standards for K Bytes

SONET and SDH standards are slightly different with respect to the behavior of K1 and K2 Bytes.

Table 21 depicts the differences between the two standards.

Table 21: Differences Between SONET and SDH Standards

	SONET	SDH	Comments
SONET/SDH standards use different codes in the transmitted K1 byte (bits 1-4) to notify the far-end of a signal fail/signal degrade detection.	1100 for signal fail 1010 for signal degrade 1101 unused 1011 unused	1101 for signal fail 1011 for signal degrade 1100 unused 1010 unused	None
SONET systems signal the switching mode in bits 5-8 of the K2 byte whereas SDH systems do not signal at all.	101 for bi-dir 100 for uni-dir	Not used. 000 is signaled in bits 5 to 8 of K2 byte for both bi-directional as well as uni-directional switching.	SONET systems raise a mode mismatch alarm as soon as a mismatch in the TX and RX K2 byte (bits 5 to 8) is detected. SDH systems do not raise the mode mismatch alarm.

Failures Indicated by K Bytes

The following sections describe failures indicated by K bytes.

APS Protection Switching Byte Failure

An APS Protection Switching Byte (APS-PSB) failure indicates that the received K1 byte is either invalid or inconsistent. An invalid code defect occurs if the same K1 value is received for 3 consecutive frames (depending on the interface type (framer) used, the 7750 SR may not be able to strictly enforce the 3 frame check per GR-253 and G.783/G.841) and it is either an unused code or irrelevant for the specific switching operation. An inconsistent APS byte defect occurs when no three consecutive received K1 bytes of the last 12 frames are the same.

If the failure detected persists for 2.5 seconds, a Protection Switching Byte alarm is raised. When the failure is absent for 10 seconds, the alarm is cleared. This alarm can only be raised by the active port operating in bi-directional mode.

APS Channel Mismatch Failure

An APS channel mismatch failure (APS-CM) identifies that there is a channel mismatch between the transmitted K1 and the received K2 bytes. A defect is declared when the received K2 channel number differs from the transmitted K1 channel number for more than 50 ms after three identical K1 bytes are sent. The monitoring for this condition is continuous, not just when the transmitted value of K1 changes.

If the failure detected persists for 2.5 seconds, a channel mismatch failure alarm is raised. When the failure is absent for 10 seconds, the alarm is cleared. This alarm can only be raised by the active port operating in a bi-directional mode.

APS Mode Mismatch Failure

An APS mode mismatch failure (APS-MM) can occur for two reasons. The first is if the received K2 byte indicates that 1:N protection switching is being used by the far-end of the OC-N line, while the near end uses 1+1 protection switching. The second is if the received K2 byte indicates that uni-directional mode is being used by the far-end while the near-end uses bi-directional mode.

This defect is detected within 100 ms of receiving a K2 byte that indicates either of these conditions. If the failure detected persists for 2.5 seconds, a mode mismatch failure alarm is raised. However, it continues to monitor the received K2 byte, and should it ever indicate that the far-end has switched to a bi-directional mode the mode mismatch failure clearing process starts. When the failure is absent for 10 seconds, the alarm is cleared, and the configured mode of 1+1 bidirectional is used.

APS Far-End Protection Line Failure

An APS far-end protection line (APS-FEPL) failure corresponds to the receipt of a K1 byte in 3 consecutive frames that indicates a signal fail (SF) at the far end of the protection line. This forces the received signal to be selected from the working line.

If the failure detected persists for 2.5 seconds, a far-end protection line failure alarm is raised. When the failure is absent for 10 seconds, the alarm is cleared. This alarm can only be raised by the active port operating in a bi-directional mode.

Revertive Switching

The APS implementation also provides the revertive and non-revertive modes with non-revertive switching as the default option. In revertive switching, the activity is switched back to the working port after the working line has recovered from a failure (or the manual switch is cleared). In non-revertive switching, a switch to the protection line is maintained even after the working line has recovered from a failure (or if the manual switch is cleared).

A revert-time is defined for revertive switching so frequent automatic switches as a result of intermittent failures are prevented. A change in this value takes effect upon the next initiation of the wait to restore (WTR) timer. It does not modify the length of a WTR timer that has already been started. The WTR timer of a non-revertive switch can be assumed to be infinite.

In case of failure on both working and the protection line, the line that has less severe errors on the line will be active at any point in time. If there is signal degrade on both ports, the active port that failed last will stay active. When there is signal failure on both ports, the working port will always be active. The reason is that the signal failure on the protection line is of a higher priority than on the working line.

Bidirectional 1+1 Switchover Operation Example

[Table 22](#) outlines the steps that a bi-directional protection switching process will go through during a typical automatic switchover.

Table 22: Actions for the Bi-directional Protection Switching Process

Status	APS Commands Sent in K1 and K2 Bytes on Protection Line		Action	
	B -> A	A -> B	At Site B	At Site A
No failure (Protection line is not in use)	No request	No request	No action	No action
Working line Degraded in direction A->B	SD on working channel 1	No request	Failure detected, notify A and switch to protection line.	No action
Site A receives SD failure condition	Same	Reverse request	No action	Remote failure detected, acknowledge and switch to protection line.
Site B receives Reverse request	Same	Same	No action	No action

Annex B (1+1 Optimized) Operation

Operation and behavior conformance with Annex B of ITU.T G.841 can be configured for an APS group.

Characteristics of this mode include are the following:

- Annex B operates in non-revertive bi-directional switching mode only as defined in G.841.
- Annex B in SR-OS operates with 1+1 signaling, but 1:1 data path where by data is transmitted on the active link only.
- K bytes are transmitted on both circuits.

Due to the request/reverse-request nature of an Annex B switchover, the data outage is longer than a typical (non Annex B single chassis) APS switchover. IMA bundles that are protected with Annex B APS have to resynchronize after a switchover. It is recommended to use maintenance commands (**tools>perform>aps...**) for planned switchovers (not mda or iom shutdown) to minimize the outage.

Annex B APS Outage Reduction Optimization

Typical standard Annex B behavior when a local SF is detected on the primary section (circuit), and this SF is the highest priority request on both the local side and from the remote side as per the APS specifications, is to send a request to the remote end and then wait until a reverse request is received before switching over to the secondary section. To reduce the recovery time for traffic, SR-OS will switch over to the secondary section immediately upon detecting the local SF on the primary section instead of waiting for the reverse request from the remote side. If the remote request is not received after a period of time then an “PSB Failure is declared” event is raised (Protection Switching Byte Failure – indicates an inconsistent or invalid Rx K1 Bytes), and the APS group on the local side switches back to the primary section.

When the remote side is in Lockout, and a local SF is detected then a reverse request will not be received by the local side. In this case, the traffic will no longer flow on the APS group since neither the primary nor secondary sections can carry traffic, and the outage reduction optimization will cause a temporary switchover from the primary to the secondary and then back again (which causes no additional outage or traffic issue since neither section is usable). If this temporary switchover is not desired then it is recommended to either perform Lockout from the 7x50 side, or to Lockout both sides, which will avoid the possibility of the temporary switchover.

Failures detected on the secondary section cause immediate switch over as per the Annex B specification. There is no outage reduction optimization in SR-OS for this case as it is not needed.

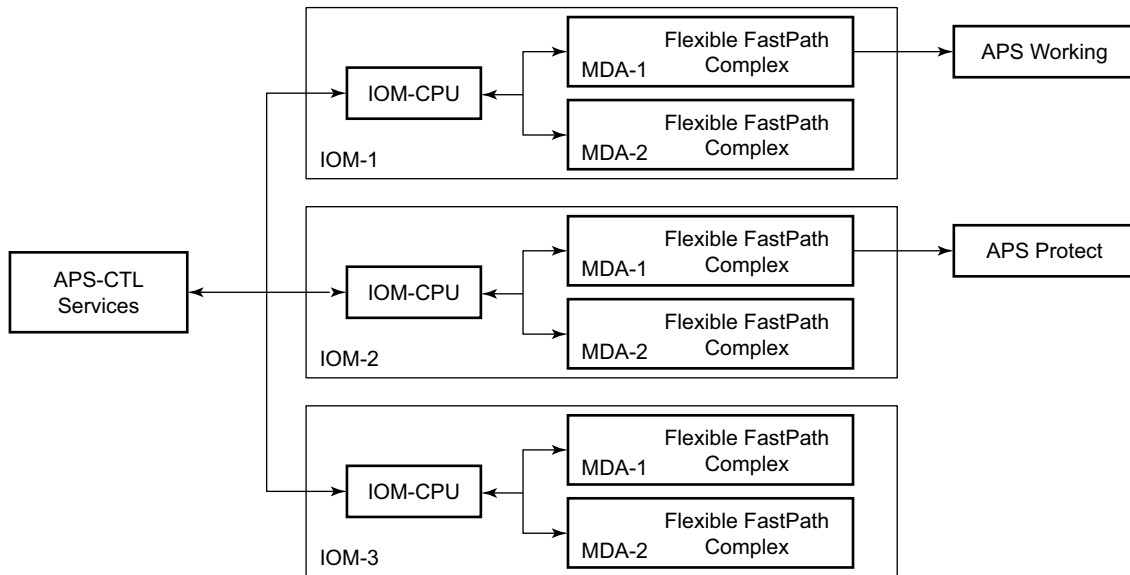
Some examples of events that can cause a local SF to be detected include: a cable being cut, laser transmitter or receiver failure, a port administratively “shutdown”, MDA failure or shutdown, IOM failure or shutdown.

Note: In Annex B operation, all switch requests are for a switch from the primary section to the secondary section. Once a switch request clears normally, traffic is maintained on the section to which it was switched by making that section the primary section. The primary section may be working circuit 1 or working circuit 2 at any particular moment.

Protection of Upper Layer Protocols and Services

APS prevents upper layer protocols and services from being affected by the failure of the active circuit.

The following example with figures and description illustrate how services are protected during a single-chassis APS switchover.



Fig_4

Figure 14: APS Working and Protection Circuit Example

Figure 14 is an example in which the APS working circuit is connected to IOM-1 / MDA-1 and the protection circuit is connected to IOM-2 / MDA-1. In this example, assume that the working circuit is currently used to transmit and receive data.

Switchover Process for Transmitted Data

For packets arriving on all interfaces that need to be transmitted over APS protected interfaces, the next hop associated with all these interfaces are programmed in all Flexible Fast-Path complexes

in each MDA with a logical next-hop index. This next hop-index identifies the actual next-hop information used to direct traffic to the APS working circuit on IOM-1 / MDA-1.

All Flexible Fast-Path complexes in each MDA are also programmed with next hop information used to direct traffic to the APS protect circuit on IOM-2/MDA-1. When the transmitted data needs to be switched from the working to the protect circuit, only the relevant next hop indexes need to be changed to the pre-programmed next-hop information for the protect circuit on IOM-2 / MDA-1.

Although the control CFM/CPM on the SF/CPM blade initiates the changeover between the working to protect circuit, the changeover is transparent to the upper layer protocols and service layers that the switchover occurs.

Physical link monitoring of the link is performed by the CPU on the relevant IOM for both working and protect circuits.

Switchover Process for Received Data

The Flexible Fast-Path complexes for both working and protect circuits are programmed to process ingress. The inactive (protect) circuit however is programmed to ignore all packet data. To perform the switchover from working circuit to the protect circuit the Flexible Fast-Path complex for the working circuit is set to ignore all data while the Flexible Fast-Path complex of the protect circuit will be changed to accept data.

The ADM or compatible head-end transmits a valid data signal to both the working and protection circuits. The signal on the protect line will be ignored until the working circuit fails or degrades to the degree that requires a switchover to the protect circuit. When the switchover occurs all services including all their QoS and filter policies are activated on the protection circuit.

APS User-Initiated Requests

The following sections describe APS user-initiated requests.

Lockout Protection

The lockout of protection disables the use of the protection line. Since the **tools>perform>aps>lockout** command has the highest priority, a failed working line using the protection line is switched back to itself even if it is in a fault condition. No switches to the protection line are allowed when locked out.

Request Switch of Active to Protection

The request or manual switch of active to protection command switches the active line to use the protection line unless a request of equal or higher priority is already in effect. If the active line is already on the protection line, no action takes place.

Request Switch of Active to Working

The request or manual switch of active to working command switches the active line back from the protection line to the working line unless a request of equal or higher priority is already in effect. If the active line is already on the working line, no action takes place.

Forced Switching of Active to Protection

The forced switch of active to protection command switches the active line to the protection line unless a request of equal or higher priority is already in effect. When the forced switch of working to protection command is in effect, it may be overridden either by a lockout of protection or by detecting a signal failure on the protection line. If the active line is already on the protection line, no action takes place.

Forced Switch of Active to Working

The forced switch of active to working command switches the active line back from the protection line to the working unless a request of equal or higher priority is already in effect.

Exercise Command

The exercise command is only supported in the bi-directional mode of the 1+1 architecture. The exercise command is specified in the **tools>perform>aps>force>exercise** context and exercises the protection line by sending an exercise request over the protection line to the tail-end and expecting a reverse request response back. The switch is not actually completed during the exercise routine.

APS and SNMP

SNMP Management of APS uses the APS-MIB (from rfc3498) and the TIMETRA-APS-MIB.

[Table 23](#) shows the mapping between APS switching modes and MIB objects.

Table 23: Switching Mode to MIB Mapping

switching-mode	TIMETRA-APS-MIB tApsProtectionType	APS-MIB apsConfigDirection
Bidir 1+1 Sig APS (bi-directional)	onePlusOneSignalling (1)	bidirectional (2)
Uni 1+1 Sig APS (uni-directional)	onePlusOneSignalling (1)	unidirectional (1)
Uni 1+1 Sig+Data APS (uni-1plus1)	onePlusOne (2)	unidirectional (1)

apsConfigMode in the APS-MIB is set to onePlusOneOptimized for Annex B operation.

APS Applicability, Restrictions and Interactions

Note: The Release Notes for the relevant SR-OS release should be consulted for details about APS restrictions.

Table 24: Supported APS Mode Combinations

	Bidirectional 1+1 Signalling APS	Unidirectional 1+1 Signalling APS	Unidirectional 1+1 Signalling and Datapath APS
Single Chassis APS (SC-APS)	Supported	Supported	Supported (for 7750 SR-c4/ 12 platforms only)
Multi-Chassis APS (MC-APS)	Supported	Not supported	Not supported

APS and Bundles

Bundles (such as IMA and MLPPP) can be protected with APS through the use of Bundle Protection Groups (BPGRP). For APS-protected bundles, all members of a working bundle must reside on the working port of an APS group. Similarly all members of a protecting bundle must reside on the protecting circuit of that APS group.

IMA APS protection is supported only when the router is connected to another piece of equipment (possibly through an ADM) running a single IMA instance at the far end. By design, the IMA APS implementation is expected to keep the IMA protocol up as long as the far end device can tolerate some frame loss. Similarly, the PPP protocol state machine for PPP channels and MLPPP bundles remains UP when a switchover occurs between the working and protect circuits.

When APS protects IMA groups, IMA control cells, but not user traffic, are sent on the inactive circuit (as well as the active) to keep the IMA protocol up during an APS switch.

For details on MLFR/FRF.12 support with APS see the *MLFR/FRF.12 Support of APS, BFD, and Mirroring Features* section.

APS Switchover Impact on Statistics

All SAP-level statistics are retained with an APS switch. A SAP will reflect the data received regardless of the number of APS switches that has occurred. ATM statistics, however, are cleared after an APS switch. Thus, any ATM statistics viewed on an APS port are only the statistics since the current active member port became active.

Physical layer packet statistics on the APS group reflect what is currently on the active member port.

Port and path-level statistics follow the same behavior as described above.

Any SONET physical-layer statistics (for example, B1,B2,B3,...) on the APS port are only what is current on the active APS member port.

Supported APS MDA/Port Combinations

Table 25 displays examples of the port types that can be paired to provide APS protection. Both ports must be the same type and must be configured at the same speed.

Table 25: MDA/Port Type Pairing for APS

MDA Type	Unchannelized SONET/SDH (POS) For example: m16-oc12/3-sfp	ATM For example: m4-atmoc12/3-sfp	Circuit Emulation (CES) For example: m4-choc3-ces-sfp	Channelized Any Service Any Port (ASAP) For example: m1-choc12-as-sfp
Unchannelized SONET/SDH (POS) For example: m16-oc12/3-sfp	Supported			
ATM For example: m4-atmoc12/3-sfp		Supported		
Circuit Emulation (CES) For example: m4-choc3-ces-sfp			Supported	
Channelized Any Service Any Port (ASAP) For example: m1-choc12-as-sfp				Supported

For example, an APS group can be comprised of a pair of ports where each port is on one of the two following MDAs:

- m16-atmoc3-sfp
- m4-atmoc12/3-sfp (port in oc3 mode)

For example, an APS group can not be comprised of a pair of ports where one port is on an m16-oc12/3-sfp and the other port is on an m1-choc12-as-sfp.

APS Switchover During CFM/CPM Switchover

An APS switchover immediately before, during or immediately after a CFM/CPM switchover may cause a longer outage than normal.

Removing or Failure of a Protect MDA

The detection of a CMA/MDA removal or a CMA/MDA failure can take additional time. This can affect the APS switchover time upon the removal or failure of a protection CMA/MDA. If the removal is scheduled during maintenance, it is recommended that the port and/or protect circuit be shutdown first to initiate an APS switchover before the CMA/MDA maintenance is performed.

Mirroring Support

Mirroring parameters configured on a specific port or service, are maintained during an APS failover.

Sample APS Applications

The following sections provide sample APS application examples.

Sample APS Application: MLPPP with SC-APS and MC-APS on Channelized Interfaces

7750 and 7710 service routers support APS on channelized interfaces. This allows Alcatel-Lucent's service routers to be deployed as the radio access network (RAN) aggregation router which connects the base transceiver station (BTS) and the radio network controller (RNC).

Figure 15 displays an example of MLPPP termination on APS protected channelized OC-n/STM-n links. This example illustrates the following:

- SC-APS (the APS circuits terminate on the same node aggregation router A).
- APS protecting MLPPP bundles (bundles are between the BTS and aggregation router A, but APS operates on the Sonet links between the DACS and the aggregation router).
- APS on channelized access interfaces (OC-3/OC-12 links)

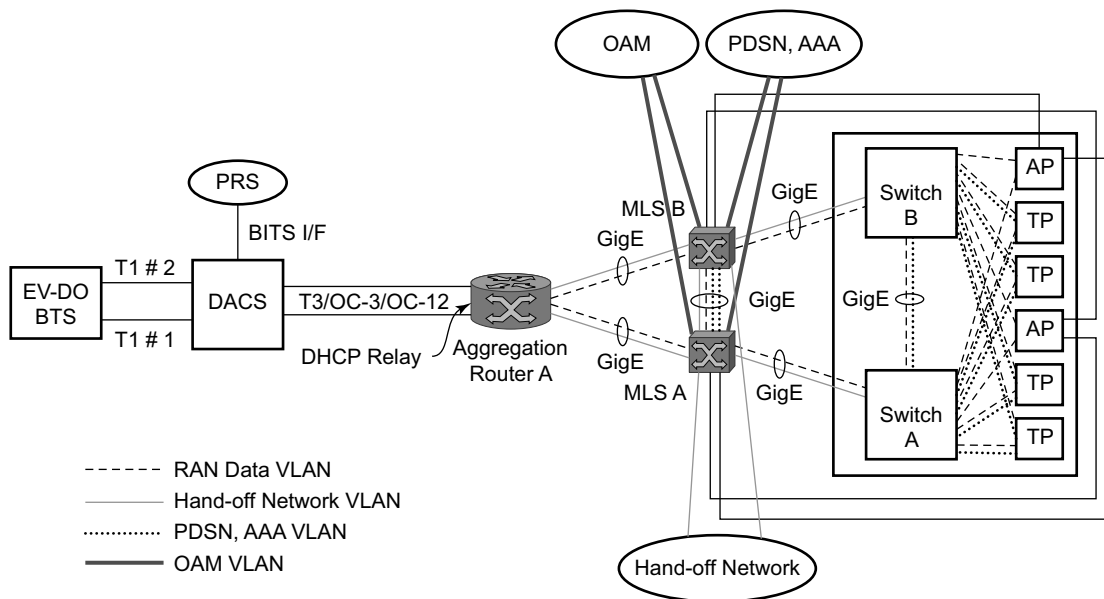


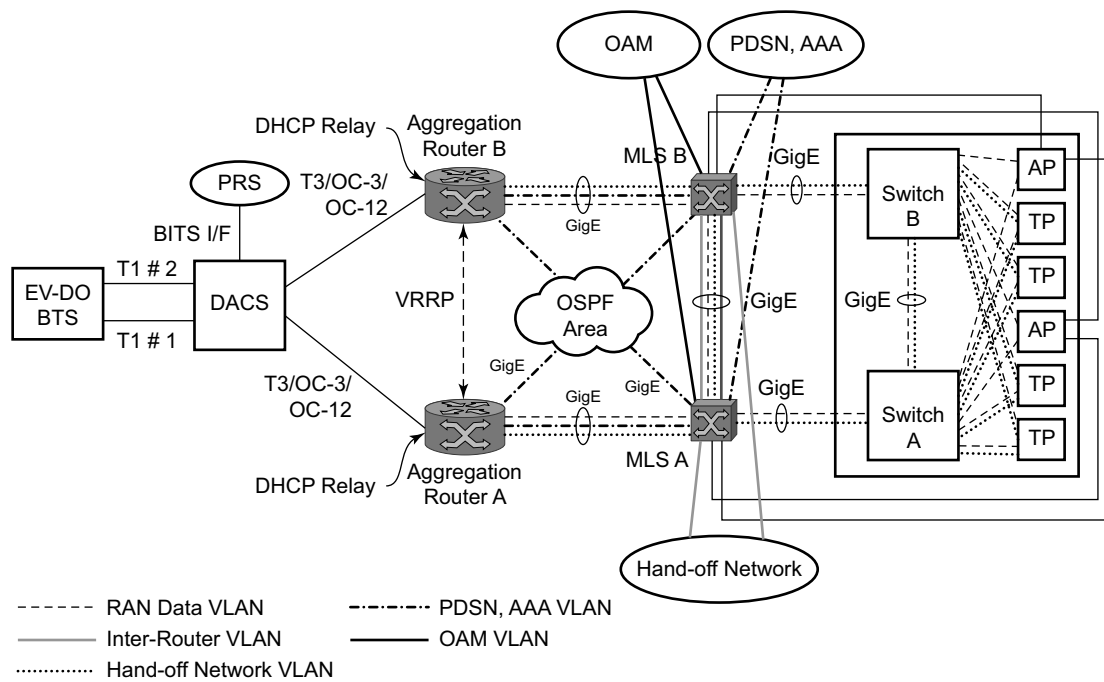
Figure 15: SC-APS MLPPP on Channelized Access Interfaces Example

Figure 16 depicts an APS group between a digital access cross-connect system (DACS) and a pair of aggregation routers. At one end of the APS group both circuits (OC-3/STM-1 and/or OC-12/STM-4 links) are terminated on the DACS and at the other end each circuit is terminated on a

different aggregation routers to provide protection against router failure. The MLPPP bundle operates between the BTS and the aggregation routers. At any one time only one of the two aggregation routers is actually terminating the MLPPP bundle (whichever aggregation router is processing the active APS circuit).

This example illustrates the following:

- MC-APS (the APS circuits terminate on different aggregation routers)
- APS protecting MLPPP bundles (bundles are between the BTS and the aggregation routers but APS operates on the Sonet links between the DACS and the aggregation routers)
- APS on channelized access interfaces (OC-3/OC-12 links)



OSSG143

Figure 16: MC-APS MLPPP on Channelized Access Interfaces Example

Sample APS Application: MC-APS for ATM SAP with ATM VPLS Service

In [Figure 17](#), service router A is connected to the ATM switch or 7670 through an OCx ATM 1 link. This link is configured as the working circuit. Service router B is connected to the same ATM switch or 7670 through an OCx ATM 2 link. This link is configured as the protection circuit.

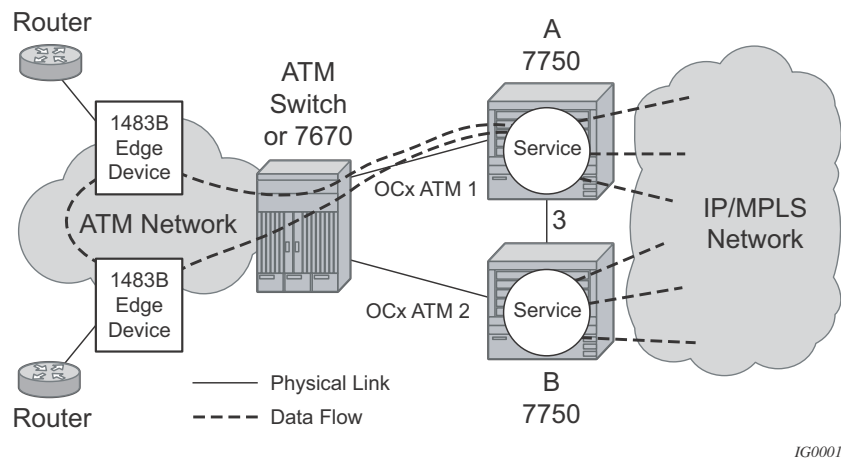


Figure 17: Multi-Chassis APS Application

Communication between service routers A and B is established through link 3. This link is for signalling. To guarantee optimum fail-over time between service routers A and B, link 3 must be a direct physical link between routers A and B.

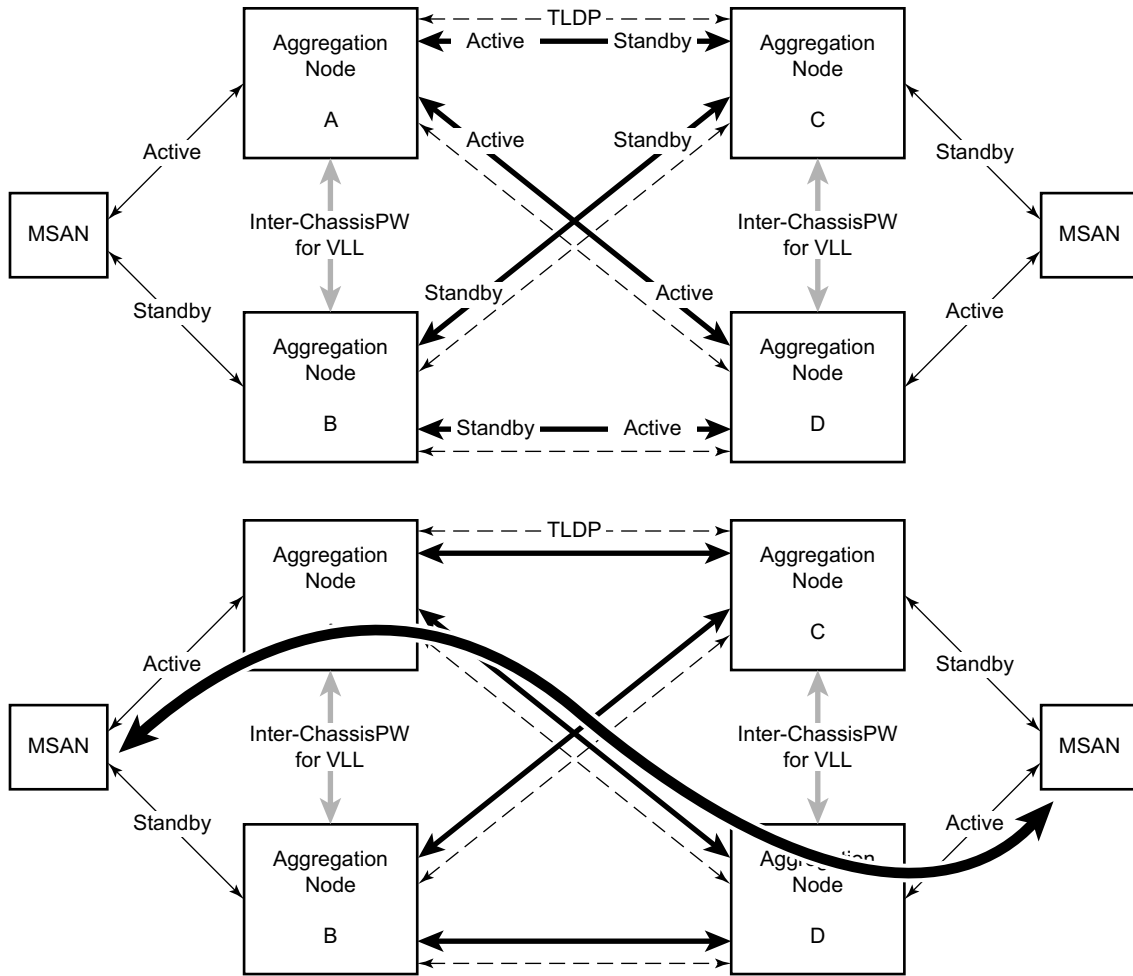
Sample APS Application: MC-APS with VLL Redundancy

Support of MC-APS to ATM VLLs and Ethernet VLL with ATM SAPs allows MC-APS to operate with pseudowire redundancy in a similar manner that MC-LAG operates with pseudowire redundancy.

The combination of these features provides a solution for access node redundancy and network redundancy as shown in [Figure 18](#).

MC-APS groups are configured as follows:

- MC-APS group between the MSAN on the left and Aggregation Nodes A & B
- MC-APS group between the MSAN on the right and Aggregation Nodes C & D



Fig_3

Figure 18: Access and Node and Network Resilience

An example of a customer application in the mobile market is displayed in [Figure 19](#).

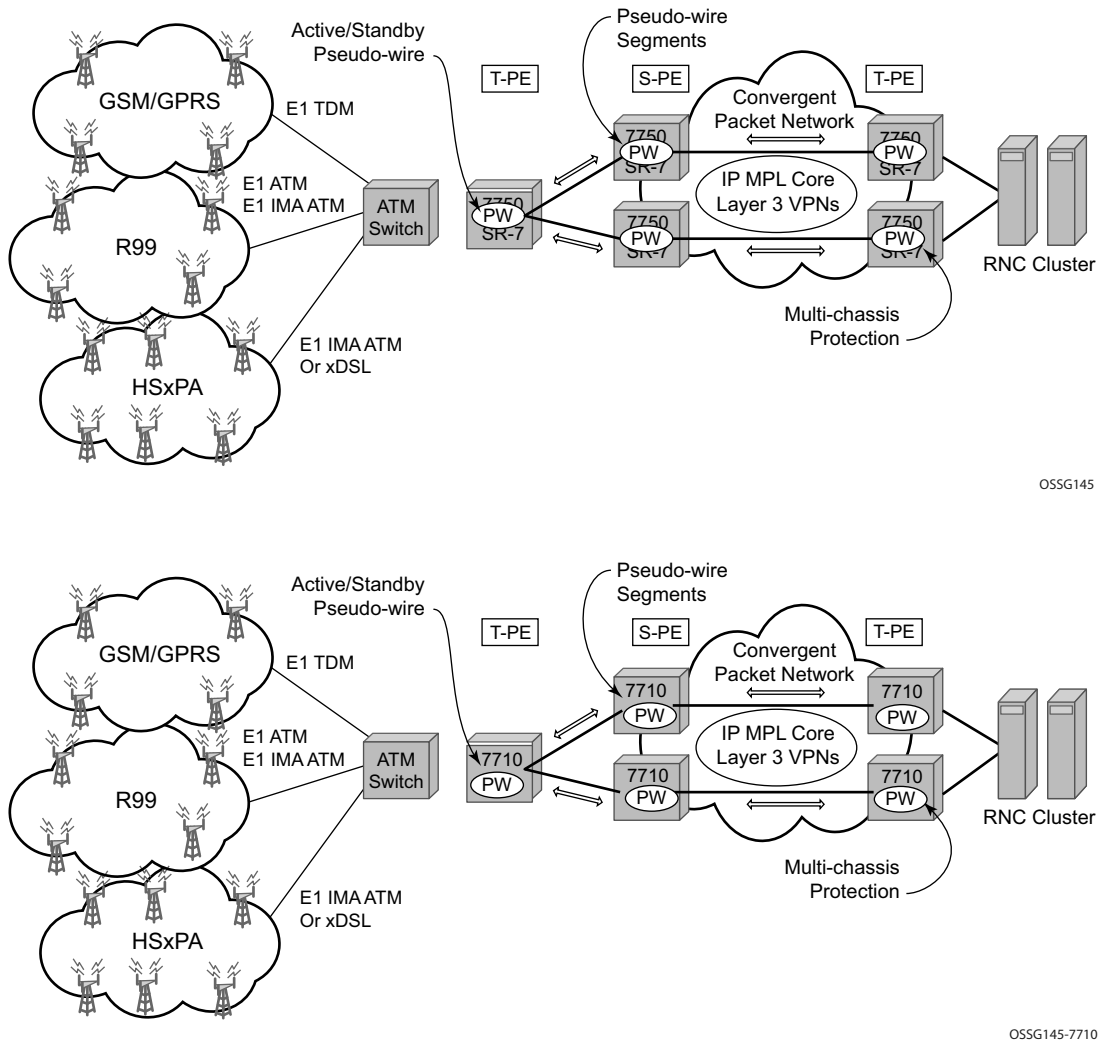
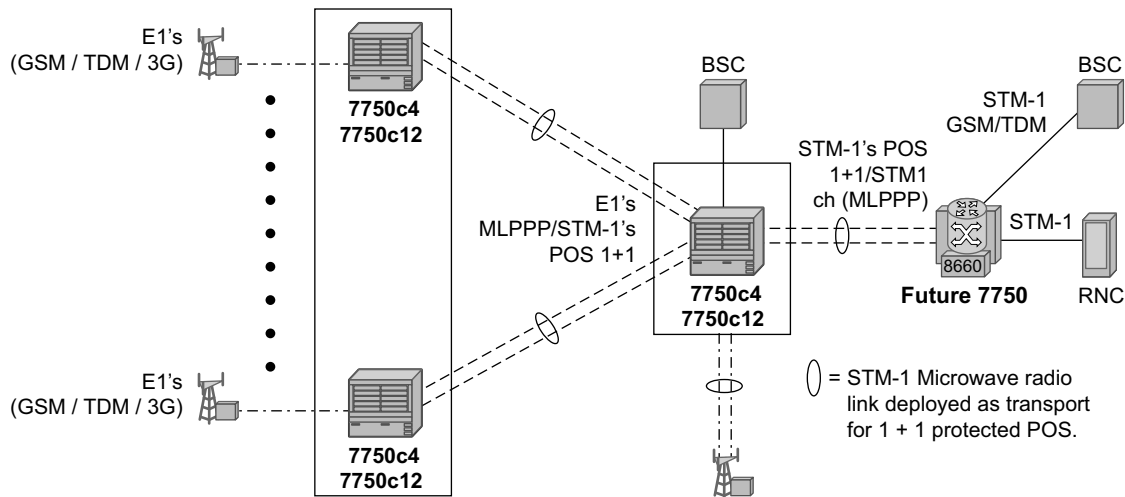


Figure 19: MC-APS with ATM VLL Redundancy

In the application show in [Figure 19](#), 2G and 3G cell sites are aggregated into a Tier 2 or Tier 3 hub site before being backhauled to a Tier 1 site where the radio network controller (RNC) which terminates user calls is located. This application combines MC-APS on the RNC access side and pseudowire redundancy and pseudowire switching on the core network side. pseudowire switching is used in order to separate the routing domains between the access network and the core network.

Sample APS Application: RAN Aggregation with Microwave Radio Transport

Figure 20 displays a RAN aggregation network deployment example. In this example Uni-dir 1+1 Sig+Data APS is being used.



OSSG327

Figure 20: Mobile RAN with Microwave Transport Example

As depicted in Figure 20, some APS-protected interfaces may require microwave radio transport. Figure 21 depicts APS-protected links between two routers that use Microwave transport. The radio equipment acts as a SONET section/ SDH regenerator section equipment, yet it implements Unidirectional APS-like processing to provide equipment protection on the local/remote radio sites respectively.

The active RX line signal (switched independently from TX) is being transmitted over the radio link to the far end radio where the signal gets transmitted on both active and inactive circuits.

The radio reacts on APS triggered failures as detected by the segment termination function: LOS, LOF, manual APS commands, and optionally BER SF/SD. Since the radio does not terminate the SONET/SDH line layer, any line signaling (including Kbytes signaling for APS, line alarms like RDI/AIS) are not terminated by the radio and arrive at a far-end router.

Note that the far-end router can either send line alarms based on its active link status or based on physical circuit status (in which case for example, an L-RDI with a valid data will be received on the 77x0).

To facilitate a deployment such as shown in this example, some of following features of the 7750 SR-c12 routers are employed:

- Uni-dir 1+1 Sig+Data APS switching mode.
- Configurable L-RDI suppression.
- Active RX circuits are selected based on local conditions only. The SONET K Bytes are not needed to coordinate switch actions, but they are still used since they flow through and reach the far-end router.
- Ports are not failed on L-RDI, as L-RDI may be received on both ports momentarily, as a result of a local radio APS switch or, permanently as a result of a remote router APS switch (with remote radio selecting traffic from the TX line on the same port as failed RX line on the router).
- For some radio equipment, a radio can cause an APS switch resulting in the far end radio detecting radio alarm and generating L-AIS toward its locally attached router on both circuits. In some cases, that router also detects BER SD/BER SF conditions on both circuits as well. Therefore, to localize failure recovery, the 7750c12 can optionally debounce those alarms so a remote router does not invoke an APS switch on a local failure condition.

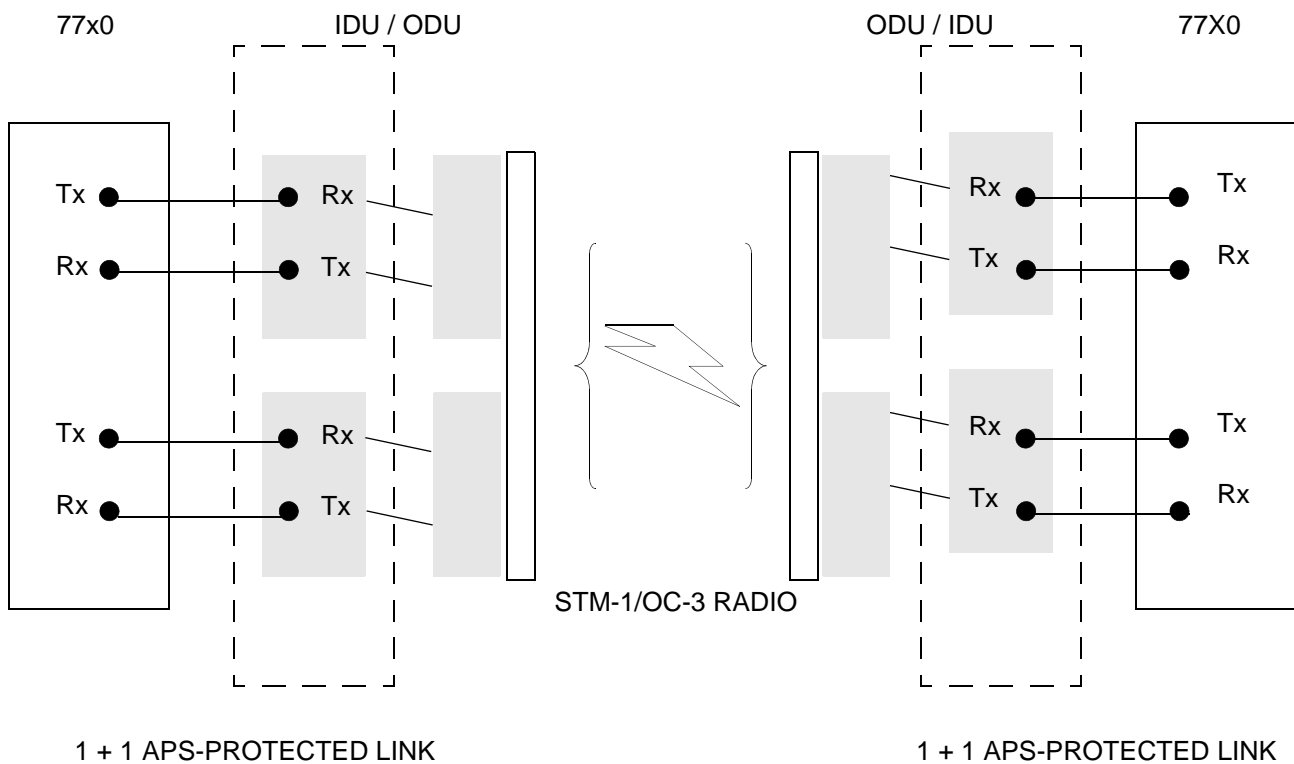


Figure 21: 1+1 APS Protected Microwave SDH Transport

Inverse Multiplexing Over ATM (IMA)

IMA is a cell based protocol where an ATM cell stream is inverse-multiplexed and de-multiplexed in a cyclical fashion among ATM-supporting channels to form a higher bandwidth logical link where the logical link concept is referred as an IMA group. By grouping channels into an IMA group, customers gain bandwidth management capability at in-between rates (for example, between E-1/DS-1 and E-3/DS-3 respectively) through addition/removal of channels to/from the IMA group.

In the ingress direction, traffic coming over multiple ATM channels configured as part of a single IMA group, is converted into a single ATM stream and passed for further processing to the ATM Layer where service-related functions, for example L2 TM, or feeding into a pseudowire are applied. In the egress direction, a single ATM stream (after service functions are applied) is distributed over all paths that are part of an IMA group after ATM layer processing takes place.

An IMA group interface compensates for differential delay and allows only for a minimal cell delay variation. The interface deals with links that are added, deleted or that fail. The higher layers see only an IMA group and not individual links, therefore service configuration and management is done using IMA groups, and not individual links that are part of it.

The IMA protocol uses an IMA frame as the unit of control. An IMA frame consists of a series of consecutive (128) cells. In addition to ATM cells received from the ATM layer, the IMA frame contains IMA OAM cells. Two types of cells are defined: IMA Control Protocol (ICP) cells and IMA filler cells. ICP cells carry information used by IMA protocol at both ends of an IMA group (for example IMA frame sequence number, link stuff indication, status and control indication, IMA ID, TX and RX test patterns, version of the IMA protocol, etc.). A single ICP cell is inserted at the ICP cell offset position (the offset may be different on each link of the group) of each frame. Filler cells are used by the transmitting side to fill up each IMA frame in case there are not enough ATM stream cells from the ATM layer, so a continuous stream of cells is presented to the physical layer. Those cells are then discarded by the receiving end. IMA frames are transmitted simultaneously on all paths of an IMA group and when they are received out of sync at the other end of the IMA group link, the receiver compensates for differential link delays among all paths.

Inverse Multiplexing over ATM (IMA) Features

Hardware Applicability

IMA is supported on channelized ASAP MDAs.

Software Capabilities

Alcatel-Lucent's implementation supports IMA functionality as specified in ATM Forum's Inverse Multiplexing for ATM (IMA) Specification Version 1.1 (af-phy-0086.001, March 1999). The following details major functions

- TX Frame length — Only IMA specification default of 128 cells is supported.
- IMA version — Both versions 1.0 and 1.1 of IMA are supported. There is no support for automatically falling to version 1.0 if the far end advertises 1.0 support, and the local end is configured as 1.1. Due to potential protocol interoperability issues between IMA 1.0 implementations, it is recommended that IMA version 1.1 is used whenever possible.
- Alpha, beta, and gamma values supported are defaults required by the IMA specification (values of 2, 2, and 1 respectively).
- Clock mode — Only IMA specification default of common clock mode is supported (CTC).
- Timing reference link — The transmit timing reference link is chosen first among the active links in an IMA group. If none found, then it is chosen among the usable links or finally, among the unusable links.
- Cell Offset Configuration — The cell offsets for IMA links are not user configurable but internally assigned according to the recommended distribution described in the IMA spec.
- TX IMA ID — An internally assigned number equal to the IMA bundle number.
- Minimum Links — A configurable value is supported to control minimum member links required to be up for an IMA group to stay operationally up.
- Maximum Group Bandwidth — A configurable value is supported to specify maximum bandwidth available to services over an IMA group. The maximum may exceed the number of minimum/configured/active links allowing for overbooking of ATM shaped traffic.
- Symmetry mode — Only IMA specification default of symmetric operation and configuration is supported.
- Re-alignment — Errors that require a re-alignment of the link (missing or extra cells, corrupted frame sequence numbers), are dealt with by automatically resetting the IMA link upon detection of an error.

- **Activation/Deactivation Link Delay Timers** — Separate, configurable timers are supported defining the amount of delay between detection of LIF, LODS and RFI-IMA change and raising/clearing of a respective alarm to higher layers and reporting RXIFailed to the far end. This protocol dampening mechanism protects those higher layers from bouncing links.
- **Differential delay** — A configurable value of differential delay that will be tolerated among the members of the IMA group is supported. If a link exceeds the configured delay value, then LODS defect is declared and protocol management actions are initiated as required by the IMA protocol and as governed by Link Activation and Deactivation procedures. The differential delay of a link is calculated based on the difference between the frame sequence number received on the link and the frame sequence number received on the fastest link (a link on which the IMA frame was received first).
- **Graceful link deletion** — The option is supported for remotely originated requests only. To prevent data loss on services configured over an IMA group, it is recommended to initiate graceful deletion from the far end before a member link is deleted or a physical link is shutdown.
- **IMA test pattern** — Alcatel-Lucent's implementation supports test pattern procedures specified in the IMA specification. Test pattern procedures allow debugging of IMA group problems without affecting user data. Test pattern configurations are not preserved upon a router reboot.
- **Statistics** — Alcatel-Lucent's IMA implementation supports all standard-defined IMA group and IMA link status and statistics through proprietary TIMETRA-PORT-MIB. Display and monitoring of traffic related interface/SAP statistics is also available for IMA groups and services over IMA groups on par with physical ATM interfaces and services.
- **Scaling** — Up to 8 member links per IMA group, up to 128 groups per MDA and all DS-1/E-1 links configurable per MDA in all IMA groups per MDA are supported.

Ethernet Local Management Interface (E-LMI)

The Ethernet Local Management Interface (E-LMI) protocol is defined in Metro Ethernet Forum (MEF) technical specification MEF16. This specification largely based on Frame Relay - LMI defines the protocol and procedures that convey the information for auto-configuration of a CE device and provides the means for EVC status notification. MEF16 does not include link management functions like Frame Relay LMI does. In the Ethernet context that role is already accomplished with Clause 57 Ethernet OAM (formerly 802.3ah).

The SR OS currently implements the User Network Interface-Network (UNI-N) functions for status notification supported on Ethernet access ports with dot1q encapsulation type. Notification related to status change of the EVC and CE-VLAN ID to EVC mapping information is provided as a one to one between SAP and EVC.

The E-LMI frame encapsulation is based on IEEE 802.3 untagged MAC frame format using an ether-type of 0x88EE. The destination MAC address of the packet 01-80-C2-00-00-07 will be dropped by any 802.1d compliant bridge that does not support or have the E-LMI protocol enabled. This means the protocol cannot be tunneled.

Status information is sent from the UNI-N to the UNI-C, either because a status enquiry was received from the UNI-C or unsolicited. The Active and Not Active EVC status are supported. The Partially Active state is left for further study.

The bandwidth profile sub-information element associated with the EVC Status IE does not use information from the SAP QoS policy. A value of 0 is used in this release as MEF 16 indicates the bandwidth profile sub-IE is mandatory in the EVC Status IE. The EVC identifier is set to the description of the SAP and the UNI identifier is set to the description configured on the port. Further, the implementation associates each SAP with an EVC. Currently, support exists for CE-VLAN ID/EVC bundling mode.

As stated in the OAM Mapping section in the OAM and Diagnostics Guide, E-LMI the UNI-N can participate in the OAM fault propagation functions. This is a unidirectional update from the UNI-N to the UNI-C and interacting with service manager of VLL, VPLS, VPRN and IES services.

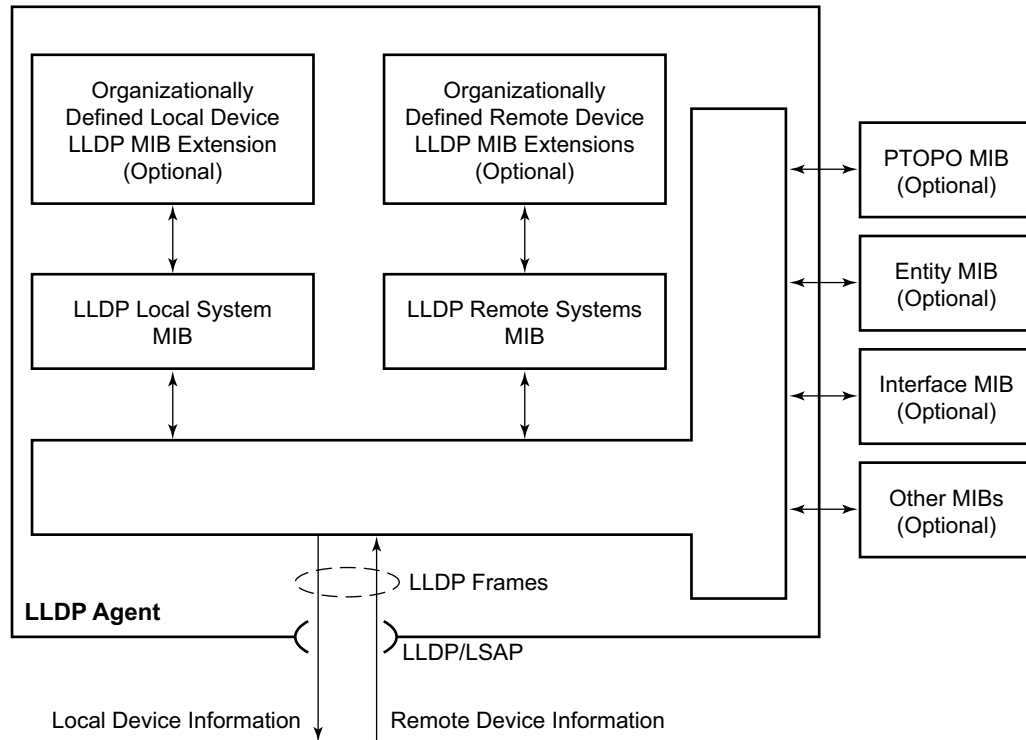
Link Layer Discovery Protocol (LLDP)

The IEEE 802.1ab Link Layer Discovery Protocol (LLDP) standard defines protocol and management elements that are suitable for advertising information to stations attached to the same IEEE 802 LAN (emulation) for the purpose of populating physical or logical topology and device discovery management information databases. The protocol facilitates the identification of stations connected by IEEE 802 LANs/MANs, their points of interconnection, and access points for management protocols.

Note that LAN emulation and logical topology wording is applicable to customer bridge scenarios (enterprise/carrier of carrier) connected to a provider network offering a transparent LAN emulation service to their customers. It helps the customer bridges detect disconnection by an intermediate provider by offering a view of the customer topology where the provider service is represented as a LAN interconnecting these customer bridges.

The IEEE 802.1ab standard defines a protocol that:

- Advertises connectivity and management information about the local station to adjacent stations on the same IEEE 802 LAN.
- Receives network management information from adjacent stations on the same IEEE 802 LAN.
- Operates with all IEEE 802 access protocols and network media.
- Establishes a network management information schema and object definitions that are suitable for storing connection information about adjacent stations.
- Provides compatibility with a number of MIBs as depicted in [Figure 22](#).



OSSG262

Figure 22: LLDP Internal Architecture for a Network Node

Network operators must be able to discover the topology information in order to detect and address network problems and inconsistencies in the configuration. Moreover, standard-based tools can address the complex network scenarios where multiple devices from different vendors are interconnected using Ethernet interfaces.

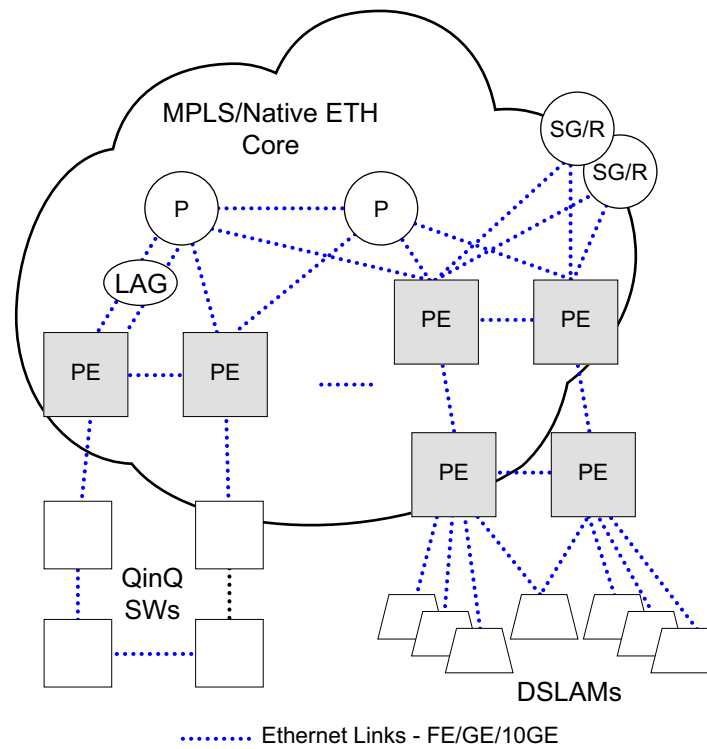


Figure 23: Generic Customer Use Case For LLDP

The example displayed in [Figure 23](#) depicts a MPLS network that uses Ethernet interfaces in the core or as an access/handoff interfaces to connect to different kind of Ethernet enabled devices such as service gateway/routers, QinQ switches, DSLAMs or customer equipment.

IEEE 802.1ab LLDP running on each Ethernet interfaces in between all the above network elements may be used to discover the topology information.

LLDP Protocol Features

LLDP is an unidirectional protocol that uses the MAC layer to transmit specific information related to the capabilities and status of the local device. Separately from the transmit direction, the LLDP agent can also receive the same kind of information for a remote device which is stored in the related MIB(s).

LLDP itself does not contain a mechanism for soliciting specific information from other LLDP agents, nor does it provide a specific means of confirming the receipt of information. LLDP allows the transmitter and the receiver to be separately enabled, making it possible to configure an implementation so the local LLDP agent can either transmit only or receive only, or can transmit and receive LLDP information.

The information fields in each LLDP frame are contained in a LLDP Data Unit (LLDPDU) as a sequence of variable length information elements, that each include type, length, and value fields (known as TLVs), where:

- Type identifies what kind of information is being sent.
- Length indicates the length of the information string in octets.
- Value is the actual information that needs to be sent (for example, a binary bit map or an alphanumeric string that can contain one or more fields).

Each LLDPDU contains four mandatory TLVs and can contain optional TLVs as selected by network management:

- Chassis ID TLV
- Port ID TLV
- Time To Live TLV
- Zero or more optional TLVs, as allowed by the maximum size of the LLDPDU
- End Of LLDPDU TLV

The chassis ID and the port ID values are concatenated to form a logical identifier that is used by the recipient to identify the sending LLDP agent/port. Both the chassis ID and port ID values can be defined in a number of convenient forms. Once selected however, the chassis ID/port ID value combination remains the same as long as the particular port remains operable.

A non-zero value in the TTL field of the Time To Live TLV tells the receiving LLDP agent how long all information pertaining to this LLDPDU's identifier will be valid so that all the associated information can later be automatically discarded by the receiving LLDP agent if the sender fails to update it in a timely manner. A zero value indicates that any information pertaining to this LLDPDU's identifier is to be discarded immediately.

Note that a TTL value of zero can be used, for example, to signal that the sending port has initiated a port shutdown procedure. The End Of LLDPDU TLV marks the end of the LLDPDU.

LAG

Based on the IEEE 802.1ax standard (formerly 802.3ad), Link Aggregation Groups (LAGs) can be configured to increase the bandwidth available between two network devices, depending on the number of links installed. LAG also provides redundancy in the event that one or more links participating in the LAG fail. All physical links in a given LAG links combine to form one logical interface.

Packet sequencing must be maintained for any given session. The hashing algorithm deployed by Alcatel-Lucent routers is based on the type of traffic transported to ensure that all traffic in a flow remains in sequence while providing effective load sharing across the links in the LAG.

LAGs must be statically configured or formed dynamically with Link Aggregation Control Protocol (LACP). The optional marker protocol described in IEEE 802.3ax is not implemented. LAGs can be configured on network and access ports.

The LAG load sharing is executed in hardware, which provides line rate forwarding for all port types.

LACP

Generally, link aggregation is used for two purposes: provide an increase in bandwidth and/or provide redundancy. Both aspects are addressed by aggregating several Ethernet links in a single LAG.

Under normal operation, all non-failing links in a given LAG will become active and traffic is load balanced across all active links. In some circumstances, however, this is not desirable. Instead, it desired that only some of the links are active (for example, all links on the same IOM) and the other links be kept in stand-by condition.

LACP enhancements allow active lag-member selection based on particular constrains. The mechanism is based on the IEEE 802.3ax standard so interoperability is ensured.

Active-Standby LAG Operation without LACP

Active/standby LAG is used to provide redundancy while keeping consistency of H-QOS enforcement. Some devices do not support LACP and hence an alternative solution is required.

The active/standby decision for LAG member links is local decision driven by pre-configured selection-criteria. This decision was communicated to remote system using LACP signalling.

LAG

As an alternative, the operator can **disable-transmitter** at the port member level. As a consequence, the transmit laser will be switched off for all LAG members in standby mode. On switch over (active-links failed) the laser will be switched on all LAG members will become active.

When LACP goes down on a standby link, a warning message announcing that LACP has expired on the corresponding member port is printed in log 99 on the other end. In the following example, port 1/1/9 is a member of standby-lag-group.

```
*A:sr7- show log log-id 99
=====
Event Log 99
=====
Description : Default System Log
Memory Log contents [size=500 next event=7 (not wrapped)]
6 2000/01/22 20:30:57.72 UTC WARNING: LAG2006 Base LAG
"LAG 10 : LACP expired on member 1/1/9"
```

The operation where standby ports are powered down is mutually exclusive with LACP and, therefore, is modelled as separate mode of LACP operation of **power-off**. For this mode, the selection-criteria **best-port** can be used. This criteria means that it will be always a sub-group with the **test-port** (the highest priority port) which will be chosen to be used as active sub-group.

It will not be possible to have an active LACP in power-off mode before the correct selection criteria is selected.

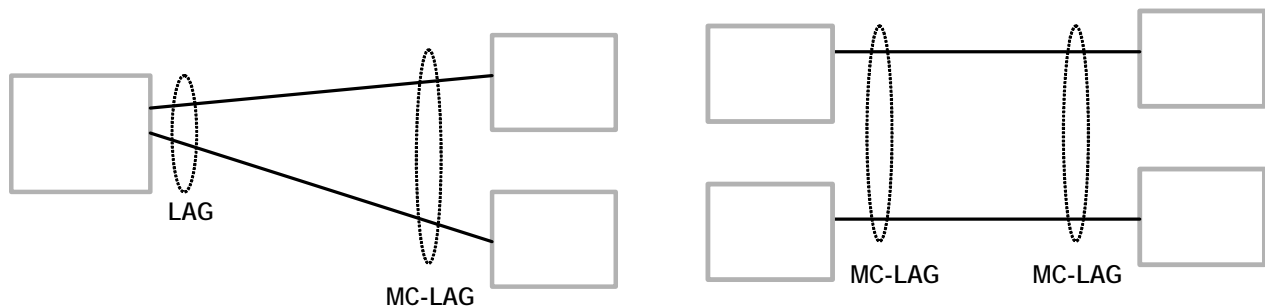


Figure 24: Active-Standby LAG Operation without LACP

LAG Subgroups on Access for DSLAM Aggregation

At the same time, QoS SLA enforcement is required. Enforcing QoS policies across links attached to different IOMs is not possible and therefore it is desirable that traffic always flows through a single IOM. This can be achieved by selecting only links of a single IOM as active LAG members and keeping all other LAG members in stand-by condition.

In case of a link failure, [Figure 25](#) and [Figure 26](#), the switch over mechanism must take into account the above QoS restriction. This means that all lag-members connected to the same IOM as failing link will become stand-by and lag-members connected to other IOM will become active. This way, QoS enforcement constraints are respected, while the maximum of available links is utilized.

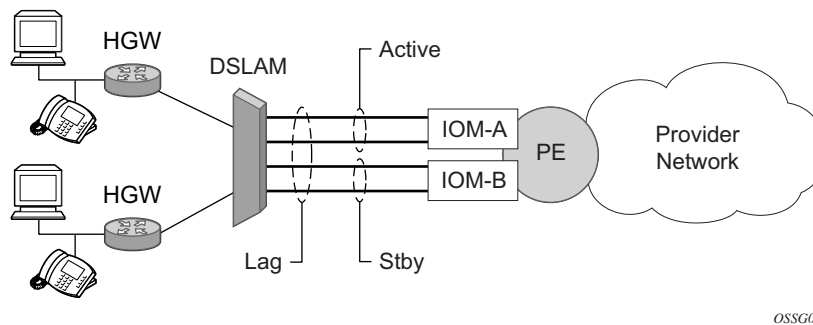


Figure 25: LAG on Access Interconnection

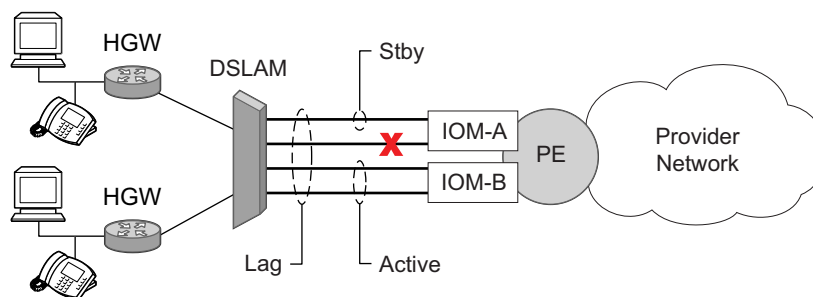


Figure 26: LAG on Access Failure Switchover

LACP is used to make selection of active links predictable and compatible with any vendor equipment. Refer to the IEEE STD 802.3-2002, Section 3, Clause 43.6.1 standard which describes how LACP allows stand-by and active signalling.

The system implementation of LACP supports the following:

- A given LAG member can be assigned to sub-groups. The selection algorithm then assures that only members of a single sub-group are selected as active links.
- The selection algorithm is effective only if LACP is enabled on a given LAG. At the same time, it is assumed that connected system has also LACP enabled (active or passive mode).
- The algorithm will select active links based on following criteria:
 - Depending on selection-criteria setting either the sub-group with the highest number of eligible links or the sub-group with the highest aggregate weight of all eligible members is selected first.
 - If multiple groups satisfy the selection criteria, the sub-group being currently active remains active. Initially, the sub-group containing the highest priority eligible link is selected.
 - Only links pertaining to a single sub-group are active at any time.
 - An eligible member refers to a LAG member link which can potentially become active. This means it is operationally up, and if the slave-to-partner flag is set, the remote system did not disable its use (by signalling stand-by).
- The selection algorithm works in a reverting mode. This means that every time the configuration or status of any link in a LAG changes, the selection algorithm is re-run. In case of a tie between two groups (one of them being currently active) the active group remains active (no reverting).

LAG on Access QoS Consideration

The following section describes various QoS related features applicable to LAG on access.

Adapt QoS Modes

Link Aggregation is supported on access side with access/hybrid ports. Similarly to LAG on network side, LAG on access is used to aggregate Ethernet ports into all active or active/standby LAG. The difference with LAG on networks lies in how the QoS/H-QoS is handled. Based on hashing configured, a given SAP's traffic can be sprayed on egress over multiple LAG ports or can always use a single port of a LAG. There are three user-selectable modes that allow operator to best adapt QoS configured to a LAG the SAPs are using:

1. `adapt-qos distributed` (default)

In a distributed mode the SLA is divided among all line cards proportionally to the number of ports that exist on that line card for a given LAG. For example a 100Mb PIR with 2 LAG links on IOM A and 3 LAG links on IOM B would result in IOM A getting 40 Mb PIR and IOM B getting 60M PIR. Thanks to such distribution, SLA can be enforced. The disadvantage is that a single flow is limited to IOM's share of the SLA. This mode of operation may also result in underrun due to a "hash error" (traffic not sprayed equally over each link). This mode is best suited for services that spray traffic over all links of a LAG.

2. `adapt-qos link`

In a link mode the SLA is given to each and every port of a LAG. With the example above, each port would get 100 Mbps PIR. The advantage of this method is that a single flow can now achieve the full SLA. The disadvantage is that the overall SLA can be exceeded, if the flows span multiple ports. This mode is best suited for services that are guaranteed to hash to a single egress port.

3. `adapt-qos distributed include-egr-hash-cfg`

This mode can be considered a mix of link and distributed mode. The mode uses the configured hashing for LAG/SAP/service to choose either link or distributed `adapt-qos` modes. The mode allows:

- SLA enforcement for SAPs that through configuration are guaranteed to hash to a single egress link using full QoS per port (as per link mode)
- SLA enforcement for SAPs that hash to all LAG links proportional distribution of QoS SLA amongst the line cards (as per distributed mode)
- SLA enforcement for multi service sites (MSS) that contain any SAPs regardless of their hash configuration using proportional distribution of QoS SLA amongst the line cards (as per distributed mode)

The following caveats apply to `adapt-qos distributed include-egr-hash-cfg`,

- The feature requires chassis mode D.
- LAG mode must be access or hybrid.
- The operator cannot change from **adapt-qos distribute include-egr-hash-cfg** to **adapt-qos distribute** when `link-map-profiles` or `per-link-hash` is configured.
- The operator cannot change from **adapt-qos link** to **adapt-qos distribute include-egr-hash-cfg** on a LAG with any configuration.
- Platforms supported except 7710 c12/c4, 7750 SR-1, 7450 ESS-1

Table 26 shows examples of rate/BW distributions based on the **adapt-qos** mode used:

Table 26: Adapt QoS Bandwidth/Rate Distribution

	link	distribute	distribute include-egr-hash-cfg
SAP Queues	100% rate	% # local links*	100% rate (SAP hash to one link) or % # local links* (SAP hash to all links)
SAP Scheduler	100% bandwidth	% # local links*	100% bandwidth (SAP hash to a one link) or % # local links* (SAP hash to all links)
SAP MSS Scheduler	100% bandwidth	% # local links*	% # local links*

* % # local links = X * (number of local LAG members on a given line card/ total number of LAG members)

Per-fp-ing-queuing

Per-fp-ing-queuing optimization for LAG ports provides the ability to reduce the number of hardware queues assigned on each LAG SAP on ingress when the flag at LAG level is set for per-fp-ing-queuing.

When the feature is enabled in the `config>lag>access` context, the queue allocation for SAPs on a LAG will be optimized and only one queuing set per ingress forwarding path (FP) is allocated instead of one per port.

The following rules will apply for configuring the per-fp-ing-queuing at LAG level:

- To enable per-fp-ing-queuing, the LAG must be in access mode
- The LAG mode cannot be set to network mode when the feature is enabled
- Per-fp-ing-queuing can only be set if no port members exists in the LAG
- Per-fp-ing-queuing cannot be set if LAG's port-type is `hsmda`.

Per-fp-egr-queuing

Per-fp-egr-queuing optimization for LAG ports provides the ability to reduce the number of egress resources consumed by each SAP on a LAG, and by any encap groups that exist on those SAPs.

When the feature is enabled in the **config>lag>access** context, the queue and virtual scheduler allocation will be optimized. Only one queuing set and one H-QoS virtual scheduler tree per SAP/encap group will be allocated per egress forwarding path (FP) instead of one set per each port of the LAG. In case of a link failure/recovery, egress traffic uses failover queues while the queues are moved over to a newly active link.

Per-fp-egr-queuing can be enabled on existing LAG with services as long as the following conditions are met.

- The LAG's mode must be **access** or **hybrid**.
- The LAG's port-type must be **standard**.
- The LAG must have either **per-link-hash** enabled or all SAPs on the LAG must use **per-service-hashing** only and be of a type: VPLS SAP, i-VPLS SAP, or e-Pipe VLL or PBB SAP.
- The system must be, at minimum, in chassis mode **d** (**configure>system>chassis-mode**)

To disable per-fp-egr-queuing, all ports must first be removed from a given LAG.

Per-fp-sap-instance

Per-fp-sap-instance optimization for LAG ports provides the ability to reduce the number of SAP instance resources consumed by each SAP on a lag.

When the feature is enabled, in the config>lag>access context, a single SAP instance is allocated on ingress and on egress per each forwarding path instead of one per port. Thanks to an optimized resource allocation, the SAP scale on a line card will increase, if a LAG has more than one port on that line card. Because SAP instances are only allocated per forwarding path complex, h/w reprogramming must take place when as result of LAG links going down or up, a SAP is moved from one LAG port on a given line card to another port on a given line card within the same forwarding complex. This results in an increased data outage when compared to per-fp-sap-instance feature being disabled. During the reprogramming, failover queues are used when SAP queues are reprogrammed to a new port. Any traffic using failover queues will not be accounted for in SAPs statistics and will be processed at best-effort priority.

The following rules apply when configuring per-fp-sap-instance on a given LAG:

- Minimum chassis mode D is required.
- Per-fp-sap-ingress-queing and per-fp-sap-egr-queing must be enabled.
- The functionality can be enabled/disabled on LAG with no member ports only. Services can be configured.

Other caveats:

- SAP instance optimization applies to LAG-level. Whether a LAG is sub-divided into sub-groups or not, the resources are allocated per forwarding path for all complexes LAG's links are configured on (i.e. irrespective of whether a given sub-group a SAP is configured on uses that complex or not).
- Egress statistics continue to be returned per port when SAP instance optimization is enabled. If a LAG links are on a single forwarding complex, all ports but one will have no change in statistics for the last interval – unless a SAP moved between ports during the interval.
- Rollback that changes per-fp-sap-instance configuration is service impacting.

LAG and ECMP Hashing

When a requirement exists to increase the available bandwidth for a logical link that exceeds the physical bandwidth or add redundancy for a physical link, typically one of two methods is applied: equal cost multi-path (ECMP) or Link Aggregation (LAG). A system can deploy both at the same time using ECMP of two or more Link Aggregation Groups (LAG) and/or single links.

Different types of hashing algorithms can be employed to achieve one of the following objectives:

- ECMP and LAG load balancing should be influenced solely by the offered flow packet. This is referred to as *per-flow* hashing.
- ECMP and LAG load balancing should maintain consistent forwarding within a given service. This is achieved using *consistent per-service* hashing.
- LAG load balancing should maintain consistent forwarding on egress over a single LAG port for a specific network interface, SAP, etc. This is referred to as *per link* hashing (including explicit per link hashing with LAG link map profiles). Note that if multiple ECMP paths use a LAG with per link hashing, the ECMP load balancing is done using either *per flow* or *consistent per service* hashing.

These hashing methods are described in the following subsections. Although multiple hashing options may be configured for a given flow at the same time, only one method will be selected to hash the traffic based on the following decreasing priority order:

For ECMP load balancing:

1. Consistent per service hashing
2. Per flow hashing

For LAG load balancing:

1. LAG link map profile
2. Per link hash
3. Consistent per service hashing
4. Per flow hashing

Per Flow Hashing

Per flow hashing uses information in a packet as an input to the hash function ensuring that any given flow maps to the same egress LAG port/ECMP path. Note that because the hash uses information in the packet, traffic for the same SAP/interface may be sprayed across different ports of a LAG or different ECMP paths. If this is not desired, other hashing methods outlined in this section can be used to change that behavior. Depending on the type of traffic that needs to be distributed into an ECMP and/or LAG, different variables are used as input to the hashing

algorithm that determines the next hop selection. The following outlines default per flow hashing behavior for those different types of traffic:

- VPLS known unicast traffic is hashed based on the IP source and destination addresses for IP traffic, or the MAC source and destination addresses for non-IP traffic. The MAC SA/DA are hashed and then, if the Ethertype is IPv4 or IPv6, the hash is replaced with one based on the IP source address/destination address.
- VPLS multicast, broadcast and unknown unicast traffic.
 - Traffic transmitted on SAPs is not sprayed on a per-frame basis, but instead the service ID is used to pick ECMP and LAG paths statically.
 - Traffic transmitted on SDPs is hashed on a per packet basis in the same way as VPLS unicast traffic. However, per packet hashing is applicable only to the distribution of traffic over LAG ports, as the ECMP path is still chosen statically based on the service ID.

Data is hashed twice to get the ECMP path. If LAG and ECMP are performed on the same frame, the data will be hashed again to get the LAG port (three hashes for LAG). However, if only LAG is performed, then hashing will only be performed twice to get the LAG port.
 - Multicast traffic transmitted on SAPs with IGMP snooping enabled is load-balanced based on the internal multicast ID, which is unique for every (s,g) record. This way, multicast traffic pertaining to different streams is distributed across different LAG member ports.
 - The hashing procedure that used to be applied for all VPLS BUM traffic would result in PBB BUM traffic being sent out on BVPLS SAP to follow only a single link when MMRP was not used. Therefore, in chassis mode D, traffic flooded out on egress BVPLS SAPs is now load spread using the algorithm described above for VPLS known unicast.
- Unicast IP traffic routed by a router is hashed using the IP SA/DA in the packet.
- MPLS packet hashing at an LSR is based on the whole label stack, along with the incoming port and system IP address. Note that the EXP/TTL information in each label is not included in the hash algorithm. This method is referred to as *Label-Only Hash* option and is enabled by default, or can be re-instated in CLI by entering the *lbl-only* keyword. A couple of options to further hash on the header of an IP packet in the payload of the MPLS packet are also provided.
- VLL traffic from a service access point is not sprayed on a per-packet basis, but as for VPLS flooded traffic, the service ID is used to pick one of the ECMP/LAG paths. The exception to this is when shared-queuing is configured on an e-pipe SAP, i-pipe SAP, or f-pipe SAP, or when H-POL is configured on an e-pipe SAP. In those cases, traffic spraying is the same as for VPLS known unicast traffic. Packets of the above VLL services received on a spoke-SDP are sprayed the same as for VPLS known unicast traffic.
- Note that a-pipe and c-pipe VLL packets are always sprayed based on the service-id in both directions.

- Multicast IP traffic is hashed based on an internal multicast ID, which is unique for every record similar to VPLS multicast traffic with IGMP snooping enabled.

In addition to the above outlined per-flow hashing inputs SROS supports multiple option to modify default hash inputs.

For all cases that involve per-packet hashing, the NPA produces a 20-bit result based on hashing the relevant packet data. This result is input to a modulo like calculation (divide by the number of routes in the ECMP and use the remainder) to determine the ECMP index.

If the ECMP index results in the selection of a LAG as the next hop, then the hash result is hashed again and the result of the second hash is input to the modulo like operation (divide by the number of ports in the LAG and use the remainder) to determine the LAG port selection.

Note however that when the ECMP set includes an IP interface configured on a spoke-SDP (IES/VPRN spoke interface), or a Routed VPLS interface, the unicast IP packets—which will be sprayed over this interface—will not be further sprayed over multiple RSVP LSPs (part of the same SDP), or multiple LDP FEC next-hops when available. In this case, a single RSVP LSP or LDP FEC next-hop will be selected based on a modulo operation of the service ID. The second round of the hash is exclusively used for LAG link selection. IP unicast packets from different IES/VPRN services or Routed VPLS services will be distributed across RSVP LSPs or LDP FEC next-hops based on the modulo operation of their respective service ID.

Changing Default Per Flow Hashing Inputs

For some traffic patterns or specific deployments, per-flow hashing is desired but the hashing result using default hash inputs as outlined above may not be produce a desired distribution. To alleviate this issue, SROS allows operators to modify default hash inputs as outlined in the following subsections.

LSR Hashing

The LSR hash routine operates on the label stack only. However, there is also the ability to hash on the IP header if a packet is IP. An LSR will consider a packet to be IP if the first nibble following the bottom of the label stack is either 4 (IPv4) or 6 (IPv6). This allows the user to include an IP header in the hashing routine at an LSR for the purpose of spraying labeled IP packets over multiple equal cost paths in ECMP in an LDP LSP and/or over multiple links of a LAG group in all types of LSPs.

The user enables the LSR hashing on label stack and/or IP header by entering the following system-wide command: **config>system>lsr-load-balancing [lbl-only | lbl-ip | ip-only]**

By default, the 7x50 LSR falls back to the hashing on label stack only. This option is referred to as lbl-only and the user can revert to this behavior by entering one of the two commands:

```
config>system>lsr-load-balancing lbl-only
```

```
config>system>no lsr-load-balancing
```

The user can also selectively enable or disable the inclusion of label stack and IP header in the LSR hash routine on a specific network interface by entering the following command:

```
config>router>interface>lsr-load-balancing [lbl-only | lbl-ip | ip-only]
```

This provides some control to the user such that this feature is disabled if labeled packets received on a specific interface include non IP packets that can be confused by the hash routine for IP packets. These could be VLL and VPLS packets without a PW control word.

When the user performs the **no** form of this command on an interface, the interface inherits the system level configuration.

The default **lbl-only** hash option and the label-ip option with IPv4 payload is supported on all platforms and chassis modes. The **ip-only** option with both IPv4 and IPv6 payloads as well as the lbl-ip option with IPv6 payload are only supported on IP interfaces on IOM3/IMM ports.

LSR Default Hash Routine—Label-Only Hash Option

The following is the behavior of ECMP and LAG hashing at an LSR in the existing implementation. These are performed in two rounds.

First the ECMP hash. It consists of an initial hash based on the source port/system IP address. Each label in the stack is then hashed separately with the result of the previous hash, up to a maximum of five labels. The net result will be used to select which LDP FEC next-hop to send the packet to using a modulo operation of the net result with the number of next-hops. If there is a single next-hop for the LDP FEC, or if the packet is received on an RSVP LSP ILM, then a single next-hop exists.

This same net result will feed to a second round of hashing if there is LAG on the egress port where the selected LDP or RSVP LSP has its NHLFE programmed.

LSR Label-IP Hash Option Enabled

In the first hash round for ECMP, the algorithm will parse down the label stack and once it hits the bottom it checks the next nibble. If the nibble value is 4 then it will assume it is an IPv4 packet. If the nibble value is 6 then it will assume it is an IPv6 packet. In both cases, the result of the label hash is fed into another hash along with source and destination address fields in the IP packet header. Otherwise, it will just use the label stack hash already calculated for the ECMP path selection.

If there are more than five labels in the stack, then the algorithm will also use the result of the label hash for the ECMP path selection.

The second round of hashing for LAG re-uses the net result of the first round of hashing. This means IPv6 packets will continue to be hashed on label stack only.

LSR IP-Only Hash Option Enabled

This option behaves like the label-IP hash option except that when the algorithm reached the bottom of the label stack in the ECMP round and finds an IP packet, it throws the outcome of the label hash and only uses the source and destination address fields in the IP packet's header.

LSR Ethernet Encapsulated IP Hash only Option Enabled

This option behaves like LSR IP only hash except for how the IP SA/DA information is found. The following conditions are verified to find IP SA/DA for hash.

- Label stack must not exceed 3 labels deep
- After the bottom of the stack is reached, the hash algorithm verifies that what follows is Ethernet II untagged frame (by looking at the value of ethertype at the expected packet location whether it contains Ethernet encapsulated IPv4 (0x0800) or IPv6 (0x086D) value.

When the ethertype verification passes, the first nibble of the expected IP packet location is then verified to be 4 (IPv4) or 6 (IPv6).

L4 Load Balancing

Operator may enable L4 load balancing to include TCP/UDP source/destination port numbers in addition to source/destination IP addresses in per flow hashing of IP packets. By including the L4 information, a SA/DA default hash flow can be sub-divided into multiple finer-granularity flows if the ports used between a given SA/DA vary.

L4 load balancing can be enabled/disabled on system and interface levels. When enabled, the extra L4 port inputs apply to per-flow hashing for unicast IP traffic and multicast traffic (if **mc-enh-load-balancing** is enabled)

System IP Load Balancing

This enhancement adds an option to add the system IP address into the hash algorithm. This adds a per system variable so that traffic being forward through multiple routers with similar ECMP paths will have a lower chance of always using the same path to a given destination.

Currently, if multiple routers have the same set of ECMP next hops, traffic will use the same nexthop at every router hop. This can contribute to the unbalanced utilization of links. The new hash option avoids this issue.

This feature when enabled, enhances the default per-flow hashing algorithm described earlier. It however does not apply to services which packets are hashed based on service-id or when per service consistent hashing is enabled. This hash algorithm is only supported on IOM3-XP/IMMs or later generations of hardware. The System IP load balancing can be enabled per-system only.

TEID Hash for GTP-Encapsulated Traffic

This options enables TEID hashing on L3 interfaces. The hash algorithm identifies GTP-C or GTP-U by looking at the UDP destination port (2123 or 2152) of an IP packet to be hashed. If the value of the port matches, the packet is assumed to be GTP-U/C. For GTPv1 packets TEID value from the expected header location is then included in hash. For GTPv2 packets the TEID flag value in the expected header is additionally checked to verify whether TEID is present. If TEID is present, it is included in hash algorithm inputs. TEID is used in addition to GTP tunnel IP hash inputs: SA/DA and SPort/DPort (if L4 load balancing is enabled). If a non-GTP packet is received on the GTP UDP ports above, the packets will be hashed as GTP.

Enhanced Multicast Load Balancing

Enhanced multicast load balancing allows operators to replace the default multicast per flow hash input (internal multicast ID) with information from the packet. When enabled, multicast traffic for Layer 3 services (such as IES, VPRN, r-VPLS) and ng-MVPN (multicast inside RSVP-TE, LDP LSPs) are hashed using information from the packet. Which inputs are chosen depends on which per flow hash inputs options are enabled based on the following:

- IP replication—The hash algorithm for multicast mimics unicast hash algorithm using SA/DA by default and optionally TCP/UDP ports (L4 load balancing enabled) and/or system IP (System IP load balancing enabled).
- MPLS replication—The hash algorithm for multicast mimics unicast hash algorithm described in [LSR Hashing on page 119](#).



NOTE: Enhanced multicast load balancing requires minimum chassis mode D. It is not supported with L2 and ESM services. It is supported on 7750 SR (excluding SR-1, c4/c12) platforms.

Per Link Hashing

The hashing feature described in this section applies to traffic going over LAG and MC-LAG. Per link hashing ensures all data traffic on a given SAP or network interface uses a single LAG port on egress. Because all traffic for a given SAP/network interface egresses over a single port, QoS SLA enforcement for that SAP, network interface is no longer impacted by the property of LAG (distributing traffic over multiple links). Internally-generated, unique IDs are used to distribute SAPs/network interface over all active LAG ports. As ports go UP and DOWN, each SAP and network interface is automatically rehashed so all active LAG ports are always used.

The feature is best suited for deployments when SAPs/network interfaces on a given LAG have statistically similar BW requirements (since per SAP/network interface hash is used). If more control is required over which LAG ports SAPs/network interfaces egress on, a LAG link map profile feature described later in this guide may be used.

Per link hashing, can be enabled on a LAG as long as the following conditions are met:

- LAG **port-type** must be *standard*.
- LAG **access adapt-qos** must be *link* (for LAGs in **mode** access or hybrid).
- System must be at minimum in chassis mode *d* (**configure system chassis-mode**)
- LAG mode is access/hybrid and the **access adapt-qos** mode is distribute **include-egr-hash-cfg**

Explicit Per Link Hash Using LAG Link Mapping Profiles

The hashing feature described in this section applies to traffic going over LAG and MC-LAG. LAG link mapping profile feature gives operators full control of which links SAPs/network interface use on a LAG egress and how the traffic is rehashed on a LAG link failure. Some benefits that such functionality provides include:

- Ability to perform management level admission control onto LAG ports thus increasing overall LAG BW utilization and controlling LAG behavior on a port failure.
- Ability to strictly enforce QoS contract on egress for a SAP/network interface or a group of SAPs/network interfaces by forcing it/them to egress over a single port and using **access adapt-qos** link mode.

To enable LAG Link Mapping Profile Feature on a given LAG, operators configure one or more of the available LAG link mapping profiles on the LAG and then assign that profile(s) to all or a subset of SAPs and network interfaces as needed. Enabling per LAG link Mapping Profile is allowed on a LAG with services configured, a small outage may take place as result of re-hashing SAP/network interface when a lag profile is assigned to it.

Each LAG link mapping profile allows operators to configure:

- Primary link—defines a port of the LAG to be used by a SAP/network interface when the port is UP. Note that a port cannot be removed from a LAG if it is part of any LAG link profile.
- Secondary link—defines a port of the LAG to be used by a SAP/network interface as a backup when the primary link is not available (not configured or down) and the secondary link is UP.
- Mode of operation when neither primary, nor secondary links are available (not configured or down):
 - **discard** – traffic for a given SAP/network interface will be dropped to protect other SAPs/network interfaces from being impacted by re-hashing these SAPs/network interfaces over remaining active LAG ports.

Note: SAP/network interface status will not be affected when primary and secondary links are unavailable, unless an OAM mechanism that follows the data path hashing on egress is used and will cause a SAP/network interface to go down

- **per-link-hash** – traffic for a given SAP/network interface will be re-hashed over remaining active ports of a LAG links using per-link-hashing algorithm. This behavior ensures SAP/network interfaces using this profile will be given available resources of other active LAG ports even if that means impacting other SAP/network interfaces on the LAG. The system will use the QoS configuration to provide fairness and priority if congestion is caused by the default-hash recovery.

LAG link mapping profiles, can be enabled on a LAG as long as the following conditions are met:

- LAG **port-type** must be *standard*.
- LAG **access adapt-qos** must be *link* (for LAGs in **mode** access or hybrid)
- All ports of a LAG on a given router must belong to a single sub-group.
- System must be at minimum in chassis mode *d* (**configure system chassis-mode**)
- Access adapt-qos mode is distribute include-egr-hash-cfg.

LAG link mapping profile can co-exist with any-other hashing used over a given LAG (for example, per flow hashing or per-link-hashing). SAPs/network interfaces that have no link mapping profile configured will be subject to LAG hashing, while SAPs/network interfaces that have configured LAG profile assigned will be subject to LAG link mapping behavior, which is described above.

Consistent Per Service Hashing

The hashing feature described in this section applies to traffic going over LAG, Ethernet tunnels (eth-tunnel) in loadsharing mode, or CCAG load balancing for VSM redundancy. The feature does not apply to ECMP.

Per-service-hashing was introduced to ensure consistent forwarding of packets belonging to one service. The feature can be enabled using the **[no] per-service-hashing** configuration option under **config>service>epipe** and **config>service>vpls**, valid for Epipe, VPLS, PBB Epipe, IVPLS and BVPLS. Chassis mode D is required.

The following behavior applies to the usage of the **[no] per-service-hashing** option.

- The setting of the PBB Epipe/I-VPLS children dictates the hashing behavior of the traffic destined to or sourced from an Epipe/I-VPLS endpoint (PW/SAP).
- The setting of the B-VPLS parent dictates the hashing behavior only for transit traffic through the B-VPLS instance (not destined to or sourced from a local I-VPLS/Epipe children).

The following algorithm describes the hash-key used for hashing when the new option is enabled:

- If the packet is PBB encapsulated (contains an I-TAG ethertype) at the ingress side, use the ISID value from the I-TAG
- If the packet is not PBB encapsulated at the ingress side
 - For regular (non-PBB) VPLS and EPIPE services, use the related service ID
 - If the packet is originated from an ingress IVPLS or PBB Epipe SAP
 - If there is an ISID configured use the related ISID value

- If there is no ISID yet configured use the related service ID
- For BVPLS transit traffic use the related flood list id
 - Transit traffic is the traffic going between BVPLS endpoints
 - An example of non-PBB transit traffic in BVPLS is the OAM traffic
- The above rules apply regardless of traffic type
 - Unicast, BUM flooded without MMRP or with MMRP, IGMP snooped

Operators may sometimes require the capability to query the system for the link in a LAG or Ethernet tunnel that is currently assigned to a given service-id or ISID. This ability is provided using the **tools>dump>map-to-phy-port** {**ccag** *ccag-id* | **lag** *lag-id* | **eth-tunnel** *tunnel-index*} {**isid** *isid* [**end-isid** *isid*] | **service** *servid-id* | *svc-name* [**end-service** *service-id* / *syc-name*]} [**summary**] command.

A sample usage is as follows:

```
A:Dut-B# tools dump map-to-phy-port lag 11 service 1
```

ServiceId	ServiceName	ServiceType	Hashing	Physical Link
1		i-vpls	per-service(if enabled)	3/2/8

```
A:Dut-B# tools dump map-to-phy-port lag 11 isid 1
```

ISID	Hashing	Physical Link
1	per-service(if enabled)	3/2/8

```
A:Dut-B# tools dump map-to-phy-port lag 11 isid 1 end-isid 4
```

ISID	Hashing	Physical Link
1	per-service(if enabled)	3/2/8
2	per-service(if enabled)	3/2/7
3	per-service(if enabled)	1/2/2
4	per-service(if enabled)	1/2/3

ESM – LAG Hashing per Vport

Background

Vport is a 7x50 BNG representation of a remote traffic aggregation point in the access network. It is a level in the hierarchical QoS model implemented within the 7x50 BNG that requires QoS treatment.

When 7x50 BNG is connected to access network via LAG, a VPort construct within the BNG is instantiated per member link on that LAG. Each instance of the Vport in such a configuration receives the entire amount of configured bandwidth. When traffic is sprayed in a per-subscriber fashion over member links in an LAG without awareness of the Vport, it can lead to packet drops on one member link irrespective of the relative traffic priority on another LAG member link in the same Vport. The reason is that multiple Vport instances of the same Vport on different LAG member links are not aware of each other.

With a small number of subscribers per Vport and a great variation in bandwidth service offering per subscriber (from mbps to gbps), there is a great chance that the load distribution between the member links will be heavily unbalanced. For example, if the lag consists of two member links on the same IOM, three 1Gbps high priority subscribers can saturate the 2Gbps Vport bandwidth on one member link of the LAG. And all the while, twenty low priority 10Mbps subscribers that are using the other link are significantly under-utilizing available bandwidth on the corresponding Vport.

To remedy this situation, all traffic flowing through the same Vport must be hashed to a single LAG member link. This way, the traffic treatment will be controlled by a single Vport instance, and achieve a desired behavior where low priority 10Mbps subscribers traffic will be affected before any traffic from the high priority subscribers.

Hashing per Vport

Hashing traffic per Vport ensures that the traffic on the same PON (or DSLAM) traverse the same Vport, and therefore, it is the same member link that this Vport is associated with. The Vport instances of the same Vport on another member links are irrelevant for QoS treatment.

The Vport in 7x50 is referenced via inter-dest-string, which can be returned via Radius. For this reason, the terms hashing per inter-dest-string or hashing per vport can be interchangeably used.

If the subscriber is associated with a Vport, hashing will be automatically performed per inter-dest-string. In case that no such association exists, hashing will default to per-subscriber hashing.

In certain cases, S-vlan tag can represent Vport. In such a case, per S-vlan hashing is desired. This can be implicitly achieved by the following configuration:

LAG

```
configure
  subscr-mgmt
    msap-policy <name>
    sub-sla-mgmt
    def-inter-dest-id use-top-queue

configure
  port <port-id>
  ethernet
  access
  egress
  vport <name>
    host-match dest <s-tag>
```

Through this CLI hierarchy, S-tag is implicitly associated with the inter-dest-string and consequently with the Vport.

Link Placement

This feature requires that all active member ports in a LAG reside on the same forwarding complex (IOM/IMM).

Multicast Consideration

Multicast traffic that is directly replicated per subscriber follows the same hashing algorithm as the rests of the subscribers (per inter-dest-string hashing).

Multicast traffic that is redirected to a regular L3 interface outside of the ESM will be hashed per destination group (or IP address).

VPLS and Capture SAP Considerations

VPLS environment in conjunction with ESM allows hashing based on destination mac address. This is achieved through the following CLI hierarchy:

```
configure
  service vpls <vpls-id>
  sap lag-<id>
  sub-sla-mgmt
  mac-da-hashing
```

Note: This is only applicable to L2 ESM. In the case where this is configured AND vport hashing is desired, the following order of evaluation will be executed:

1. Hashing based on subscriber-id or inter-dest-string
2. If configured, mac-da-hashing

Hashing per inter-dest-string will win if <Vport, subscriber> association is available at the same time as the mac-da-hashing is configured.

Mac-da-hashing mechanism cannot transition from capture SAP to a derived MSAP.

LSR Default Hash Routine— Label-Only Hash Option

The following is the behavior of ECMP and LAG hashing at an LSR in the existing implementation. These are performed in two rounds.

First the ECMP hash. It consists of an initial hash based on the source port/system IP address. Each label in the stack is then hashed separately with the result of the previous hash, up to a maximum of five labels. The net result will be used to select which LDP FEC next-hop to send the packet to using a modulo operation of the net result with the number of next-hops. If there is a single next-hop for the LDP FEC, or if the packet is received on an RSVP LSP ILM, then a single next-hop exists.

This same net result will feed to a second round of hashing if there is LAG on the egress port where the selected LDP or RSVP LSP has its NHLFE programmed.

LSR Label-IP Hash Option Enabled

In the first hash round for ECMP, the algorithm will parse down the label stack and once it hits the bottom it checks the next nibble. If the nibble value is 4 then it will assume it is an IPv4 packet. If the nibble value is 6 then it will assume it is an IPv6 packet. In both cases, the result of the label hash is fed into another hash along with source and destination address fields in the IP packet's header. Otherwise, it will just use the label stack hash already calculated for the ECMP path selection.

If there are more than five labels in the stack, then the algorithm will also use the result of the label hash for the ECMP path selection.

The second round of hashing for LAG re-uses the net result of the first round of hashing. This means IPv6 packets will continue to be hashed on label stack only.

LSR IP-Only Hash Option Enabled

This option behaves like the label-IP hash option except that when the algorithm reached the bottom of the label stack in the ECMP round and finds an IP packet, it throws the outcome of the label hash and only uses the source and destination address fields in the IP packet's header.

LAG Hold Down Timers

Operators can configure multiple hold down timers that allow control how quickly LAG responds to operational port state changes. The following timers are supported:

1. Port-level hold-time up/down timer
This optional timer allows operator to control delay for adding/removing a port from LAG when the port comes UP/goes DOWN. Each LAG port runs the same value of the timer, configured on the primary LAG link. See Port Link Dampening description in Port Features section of this guide for more details on this timer.
2. Sub-group-level hold-time timer
This optional timer allows operator to control delay for a switch to a new candidate sub-group selected by LAG sub-group selection algorithm from the current, operationally UP sub-group. The timer can also be configured to never expire, which prevents a switch from operationally up sub-group to a new candidate sub-group (manual switchover is possible using tools perform force lag command). Note that, if the port link dampening is deployed, the port level timer must expire before the sub-group-selection takes place and this timer is started. Sub-group-level hold-down timer is supported with LAGs running LACP only.
3. LAG-level hold-time down timer
This optional timer allows operator to control delay for declaring a LAG operationally down when the available links fall below the required port/BW minimum. The timer is recommended for LAG connecting to MC-LAG systems. The timer prevents a LAG going down when MC-LAG switchover executes break-before-make switch. Note that, if the port link dampening is deployed, the port level timer must expire before the LAG operational status is processed and this timer is started.

BFD over LAG Links

The router supports the application of BFD to monitor individual LAG link members to speed up the detection of link failures. When BFD is associated with an Ethernet LAG, BFD sessions are setup over each link member, and are referred to as micro-BFD sessions. A link is not operational in the associated LAG until the associated micro-BFD session is fully established. In addition, the link member is removed from the operational state in the LAG if the BFD session fails.

When configuring the local and remote IP address for the BFD over LAG link sessions, the *local-ip* parameter should always match an IP address associated with the IP interface to which this LAG is bound. In addition, the *remote-ip* parameter should match an IP address on the remote system and should also be in the same subnet as the *local-ip* address. If the LAG bundle is re-associated with a different IP interface, the *local-ip* and *remote-ip* parameters should be modified to match the new IP subnet.

Multi-Chassis LAG

This section describes the Multi-Chassis LAG (MC-LAG) concept. MC-LAG is an extension of a LAG concept that provides node-level redundancy in addition to link-level redundancy provided by “regular LAG”.

Typically, MC-LAG is deployed in a network-wide scenario providing redundant connection between different end points. The whole scenario is then built by combination of different mechanisms (for example, MC-LAG and redundant pseudowire to provide e2e redundant p2p connection or dual homing of DSLAMs in Layer 2/3 TPSDA).

Overview

Multi-chassis LAG is a method of providing redundant Layer 2/3 access connectivity that extends beyond link level protection by allowing two systems to share a common LAG end point.

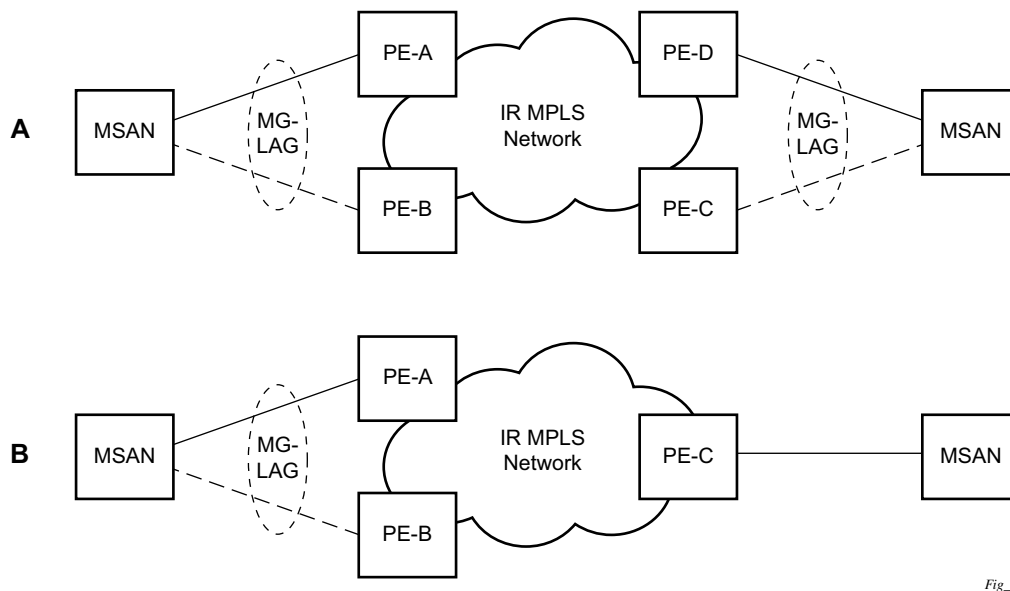
The multi-service access node (MSAN) node is connected with multiple links towards a redundant pair of Layer 2/3 aggregation nodes such that both link and node level redundancy, are provided. By using a multi-chassis LAG protocol, the paired Layer 2/3 aggregation nodes (referred to as redundant-pair) appears to be a single node utilizing LACP towards the access node. The multi-chassis LAG protocol between redundant-pair ensures a synchronized forwarding plane to/from the access node and is used to synchronize the link state information between the redundant-pair nodes such that proper LACP messaging is provided to the access node from both redundant-pair nodes.

In order to ensure SLAs and deterministic forwarding characteristics between the access and the redundant-pair node, the multi-chassis LAG function provides an active/standby operation towards/from the access node. LACP is used to manage the available LAG links into active and standby states such that only links from 1 aggregation node are active at a time to/from the access node.

Alternatively, when access nodes does not support LACP, the **power-off** option can be used to enforce active/standby operation. In this case, the standby ports are **trx_disabled** (power off transmitter) to prevent usage of the lag member by the access-node. Characteristics related to MC are:

- Selection of the common system ID, system-priority and administrative-key are used in LACP messages so partner systems consider all links as the part of the same LAG.
- Extension of selection algorithm in order to allow selection of active sub-group.
 - The sub-group definition in LAG context is still local to the single box, meaning that even if sub-groups configured on two different systems have the same sub-group-id they are still considered as two separate subgroups within given LAG.
 - Multiple sub-groups per PE in a MC-LAG is supported.
 - In case there is a tie in the selection algorithm, for example, two sub-groups with identical aggregate weight (or number of active links) the group which is local to the system with lower system LACP priority and LAG system ID is taken.
- Providing inter-chassis communication channel allows inter-chassis communication to support LACP on both system. This communication channel enables the following:
 - Supports connections at the IP level which do not require a direct link between two nodes. The IP address configured at the neighbor system is one of the addresses of the system (interface or loop-back IP address).
 - The communication protocol provides heartbeat mechanism to enhance robustness of the MC-LAG operation and detecting node failures.
 - Support for operator actions on any node that force an operational change.

- The LAG group-ids do not have to match between neighbor systems. At the same time, there can be multiple LAG groups between the same pair of neighbors.
- Verification that the physical characteristics, such as speed and auto-negotiation is configured and initiates operator notifications (traps) if errors exist. Consistency of MC-LAG configuration (system-id, administrative-key and system-priority) is provided. Similarly, load-balancing mode of operation must be consistently configured on both nodes.
- Traffic over the signalling link is encrypted using a user configurable message digest key.
- MC-LAG function provides active/stand-by status to other software applications in order to built a reliable solutions.

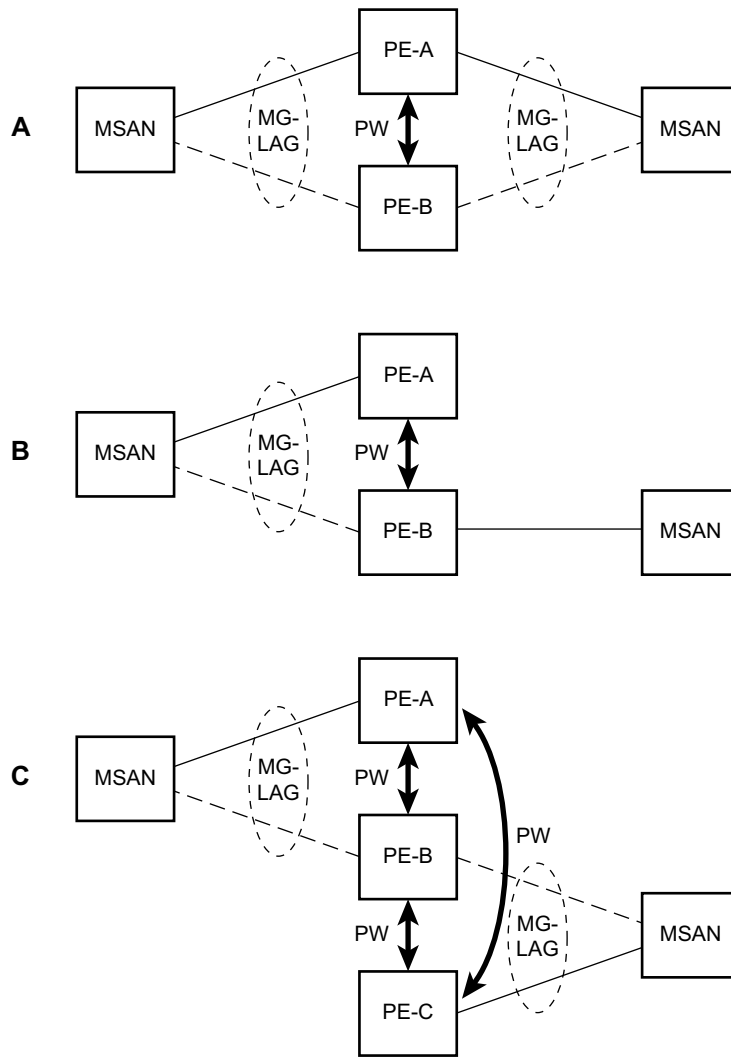


Fig_6

Figure 27: MC-LAG L2 Dual Homing to Remote PE Pairs

Figure 27 depicts different combinations of MC-LAG attachments supported. The supported configurations can be sub-divided into following sub-groups:

- Dual-homing to remote PE pairs
 - both end-points attached with MC-LAG
 - one end-point attached
- Dual-homing to local PE pair
 - both end-points attached with MC-LAG
 - one end-point attached with MC-LAG
 - both end-points attached with MC-LAG to two overlapping pairs



Fig_7

Figure 28: MC-LAG L2 Dual Homing to Local PE-Pairs

The forwarding behavior of the nodes abide by the following principles. Note that logical destination (actual forwarding decision) is primarily determined by the service (VPLS or VLL) and the principle below applies only if destination or source is based on MC-LAG:

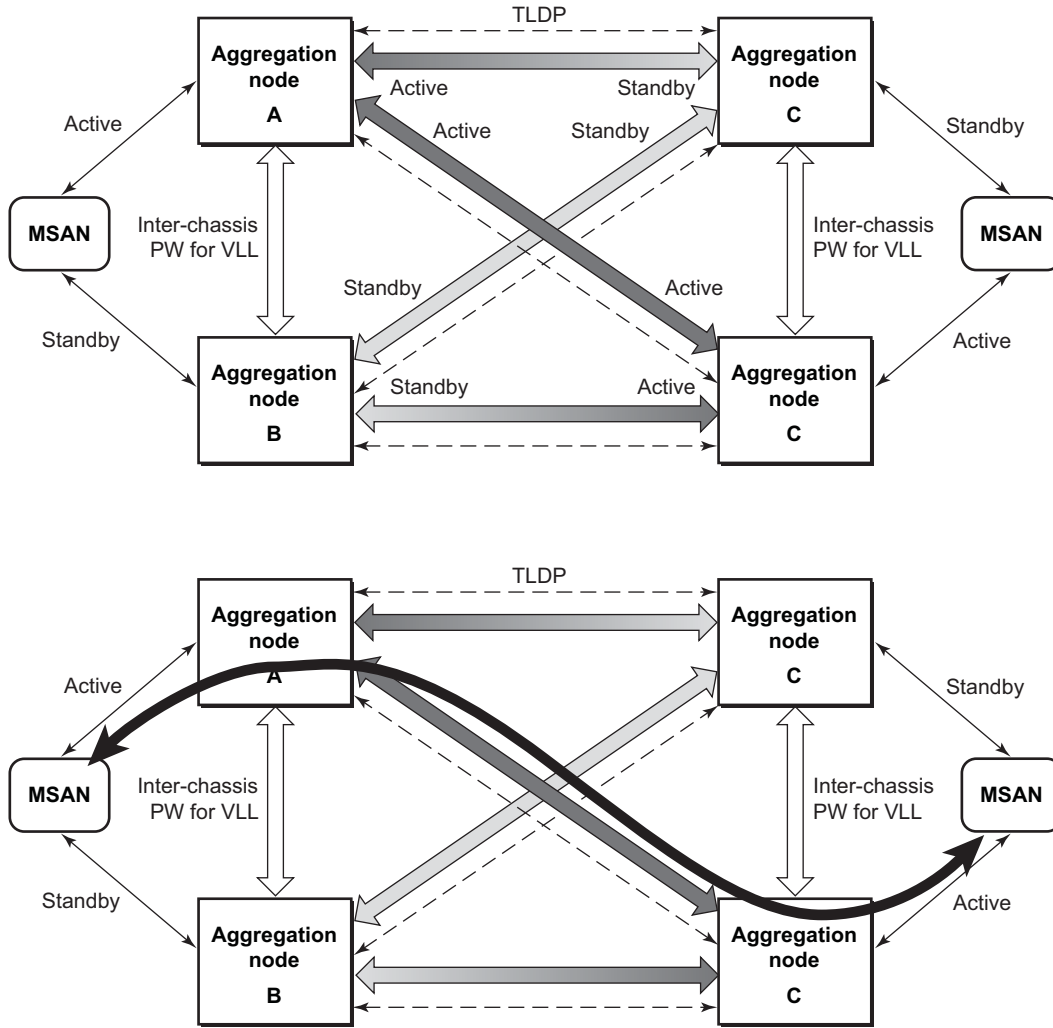
- Packets received from the network will be forwarded to all local active links of the given destination-sap based on conversation hashing. In case there are no local active links, the packets will be cross-connected to inter-chassis pseudowire.
- Packets received from the MC-LAG sap will be forwarded to active destination pseudo-wire or active local links of destination-sap. In case there are no such objects available at the local node, the packets will be cross-connected to inter-chassis pseudowire.

MC-LAG and Subscriber Routed Redundancy Protocol (SRRP)

MC-LAG and SRRP enables dual-homed links from any IEEE 802.3ax (formerly 802.3ad) standards-based access device (for example, a IP DSLAM, Ethernet switch or a Video on Demand server) to multiple Layer 2/3 or Layer 3 aggregation nodes. In contrast with slow recovery mechanisms such as Spanning Tree, multi-chassis LAG provides synchronized and stateful redundancy for VPN services or triple play subscribers in the event of the access link or aggregation node failing, with zero impact to end users and their services.

Refer to the 7750 SR OS Triple Play Guide for information about SRRP.

Point-to-Point (p2p) Redundant Connection Across Layer 2/3 VPN Network



OSSG116

Figure 29: P2P Redundant Connection Through a Layer 2 VPN Network

Figure 29 shows the connection between two multi-service access nodes (MSANs) across network based on Layer 2/3 VPN pseudo-wires. The connection between MSAN and a pair of PE routers is realized by MC-LAG. From MSAN perspective, redundant pair of PE routers acts as a single partner in LACP negotiation. At any point in time, only one of the routers has an active link(s) in a given LAG. The status of LAG links is reflected in status signaling of pseudo-wires set between all

participating PEs. The combination of active and stand-by states across LAG links as well and pseudo-wires give only 1 unique path between pair of MSANs.

Note that the configuration in [Figure 29](#) depicts one particular configuration of VLL connections based on MC-LAG, particularly the VLL connection where two ends (SAPs) are on two different redundant-pairs. In addition to this, other configurations are possible, such as:

- Both ends of the same VLL connections are local to the same redundant-pair.
- One end VLL endpoint is on a redundant-pair the other on single (local or remote) node.

DSLAM Dual Homing in Layer 2/3 TPSDA Model

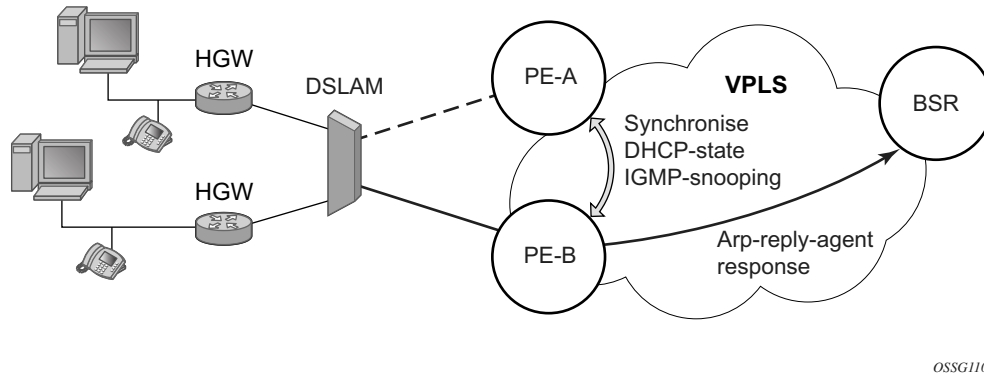


Figure 30: DSLAM Dual-Homing Using MC-LAG

Figure 30 illustrates a network configuration where DSLAM is dual homed to pair of redundant PEs by using MC-LAG. Inside the aggregation network redundant-pair of PEs is connecting to VPLS service which provides reliable connection to single or pair of Broadband Service Routers (BSRs).

MC-LAG and pseudo-wire connectivity, PE-A and PE-B implement enhanced subscriber management features based on DHCP-snooping and creating dynamic states for every subscriber-host. As in any point of time there is only one PE active, it is necessary to provide the mechanism for synchronizing subscriber-host state-information between active PE (where the state is learned) and stand-by PE. In addition, VPLS core must be aware of active PE in order to forward all subscriber traffic to a PE with an active LAG link. The mechanism for this synchronization is outside of the scope of this document.

G.8031 Protected Ethernet Tunnels

Alcatel-Lucent PBB implementation offers the capability to use core Ethernet tunnels compliant with ITU-T G.8031 specification to achieve 50 ms resiliency for failures in a native Ethernet backbone. For further information regarding Ethernet tunnels, see [G.8031 Protected Ethernet Tunnels](#) in the Services Guide.

G.8032 Protected Ethernet Rings

Ethernet ring protection switching offers ITU-T G.8032 specification compliance to achieve resiliency for Ethernet Layer 2 networks. Similar to G.8031 linear protection (also called Automatic Protection Switching (APS)), G.8032 (Eth-ring) is also built on Ethernet OAM and often referred to as Ring Automatic Protection Switching (R-APS).

For further information regarding Ethernet rings, see G.8032 Protected Ethernet Rings section in the Services Guide.

802.3ah OAM

802.3ah Clause 57 (**efm-oam**) defines the Operations, Administration, and Maintenance (OAM) sub-layer, which provides mechanisms useful for monitoring link operation such as remote fault indication and remote loopback control. In general, OAM provides network operators the ability to monitor the health of the network and quickly determine the location of failing links or fault conditions. **efm-oam** described in this clause provides data link layer mechanisms that complement applications that may reside in higher layers.

OAM information is conveyed in slow protocol frames called OAM protocol data units (OAMPDUs). OAMPDUs contain the appropriate control and status information used to monitor, test and troubleshoot OAM-enabled links. OAMPDUs traverse a single link, being passed between peer OAM entities, and as such, are not forwarded by MAC clients (like bridges or switches).

The following **efm-oam** functions are supported:

- **efm-oam** capability discovery.
- Active and passive modes.
- Remote failure indication — Handling of critical link events (link fault, dying gasp, etc.)
- Loopback — A mechanism is provided to support a data link layer frame-level loopback mode. Both remote and local loopback modes are supported.
- **efm-oam** PDU tunneling.
- High resolution timer for **efm-oam** in 100ms interval (minimum).

When the **efm-oam** protocol fails to negotiate a peer session or encounters a protocol failure following an established session the *Port State* will enter the *Link Up* condition. This port state is used by many protocols to indicate the port is administratively UP and there is physical connectivity but a protocol, such as **efm-oam**, has caused the ports operational state to enter a DOWN state. A reason code has been added to help discern if the **efm-oam** protocol is the underlying reason for the Link Up condition.

```
show port
=====
Ports on Slot 1
=====
Port      Admin Link Port   Cfg  Oper  LAG/  Port  Port  Port   C/QS/S/XFP/
Id        State  State  State  MTU  MTU  Bndl  Mode  Encp  Type  MDIMDX
-----
1/1/1     Down  No    Down   1578 1578  -    netw null xcme
1/1/2     Down  No    Down   1578 1578  -    netw null xcme
1/1/3     Up    Yes   Link Up 1522 1522  -    accs qinq xcme
1/1/4     Down  No    Down   1578 1578  -    netw null xcme
1/1/5     Down  No    Down   1578 1578  -    netw null xcme
1/1/6     Down  No    Down   1578 1578  -    netw null xcme

# show port 1/1/3
=====
```

```

Ethernet Interface
=====
Description      : 10/100/Gig Ethernet SFP
Interface        : 1/1/3
Link-level       : Ethernet
Admin State      : up
Oper State       : down
Reason Down      : efmOamDown
Physical Link    : Yes
Single Fiber Mode : No
IfIndex          : 35749888
Last State Change : 12/18/2012 15:58:29
Last Cleared Time : N/A
Phys State Chng Cnt: 1

Oper Speed       : N/A
Config Speed    : 1 Gbps
Oper Duplex     : N/A
Config Duplex   : full

MTU              : 1522
Min Frame Length : 64 Bytes
Hold time up    : 0 seconds
Hold time down  : 0 seconds
DDM Events      : Enabled

Configured Mode  : access
Dot1Q Ethertype : 0x8100
PBB Ethertype   : 0x88e7
Ing. Pool % Rate : 100
Ing. Pool Policy : n/a
Egr. Pool Policy : n/a
Net. Egr. Queue Pol: default
Egr. Sched. Pol : n/a
Auto-negotiate  : true
Oper Phy-tx-clock : not-applicable
Accounting Policy : None
Acct Plcy Eth Phys : None
Egress Rate     : Default
Load-balance-algo : Default

Encap Type      : QinQ
QinQ Ethertype  : 0x8100
Egr. Pool % Rate : 100

MDI/MDX         : unknown
Collect-stats   : Disabled
Collect Eth Phys : Disabled
Ingress Rate    : Default
LACP Tunnel     : Disabled

Down-when-looped : Disabled
Loop Detected    : False
Use Broadcast Addr : False

Keep-alive      : 10
Retry           : 120

Sync. Status Msg. : Disabled
Tx DUS/DNU       : Disabled
SSM Code Type    : sdh

Rx Quality Level : N/A
Tx Quality Level : N/A

Down On Int. Error : Disabled

CRC Mon SD Thresh : Disabled
CRC Mon SF Thresh : Disabled
CRC Mon Window    : 10 seconds

Configured Address : d8:ef:01:01:00:03
Hardware Address   : d8:ef:01:01:00:03

```

The operator also has the opportunity to decouple the **efm-oam** protocol from the port state and operational state. In cases where an operator wants to remove the protocol, monitor the protocol only, migrate, or make changes the **ignore-efm-state** can be configured under the port>ethernet>efm-oam hierarchy. When the **ignore-efm-state** command is configured on a port the protocol continues as normal. However, ANY failure in the protocol state machine (discovery, configuration, time-out, loops, etc...) will not impact the port on which the protocol is active and the optional ignore command is configured. There will only be a protocol warning message if there are issues with the protocol. The default behavior when this optional command is not configured means the port state will be affected by any **efm-oam** protocol fault or clear conditions. Adding

and removing this optional ignore command will immediately represent the *Port State* and *Oper State* based on the active configuration. For example, if the **ignore-efm-state** is configured on a port that is exhibiting a protocol error that protocol error does not affect the port state or operational state and there is no *Reason Down* code. If the **ignore-efm-state** is removed from a port with an existing **efm-oam** protocol error, the port will transition to *Link UP, Oper Down* with the reason code *efmOamDown*.

OAM Events

EFM OAM defines a set of events that may impact link operation. The following events are supported:

- Critical link events (defined in 802.3ah clause 57.2.10.1)
 - Link fault: the PHY has determined a fault has occurred in the receive direction of the local DTE.
 - Dying gasp: an unrecoverable local failure condition has occurred.
 - Critical event: an unspecified critical event has occurred.

These critical link events are signaled to the remote DTE by the flag field in OAM PDUs.

Remote Loopback

EFM OAM provides a link-layer frame loopback mode that can be remotely controlled.

To initiate remote loopback, the local EFM OAM client sends a loopback control OAM PDU by enabling the OAM remote-loopback command. After receiving the loopback control OAM PDU, the remote OAM client puts the remote port into local loopback mode.

To exit remote loopback, the local EFM OAM client sends a loopback control OAM PDU by disabling the OAM remote-loopback command. After receiving the loopback control OAM PDU, the remote OAM client puts the port back into normal forwarding mode.

Note that during remote loopback test operation, all frames except EFM OAM PDUs are dropped at the local port for the receive direction, where remote loopback is enabled. If local loopback is enabled, then all frames except EFM OAM PDUs are dropped at the local port for both the receive and transmit directions. This behavior may result in many protocols (such as STP or LAG) resetting their state machines.

Note that when a port is in loopback mode, service mirroring will not work if the port is a mirror-source or a mirror-destination.

802.3ah OAM PDU Tunneling for Epipe Service

The 7750 routers support 802.3ah. Customers who subscribe to Epipe service treat the Epipe as a wire, so they demand the ability to run 802.3ah between their devices which are located at each end of the Epipe.

Note: This feature only applies to port-based Epipe SAPs because 802.3ah runs at port level not VLAN level. Hence, such ports must be configured as null encapsulated SAPs.

When OAM PDU tunneling is enabled, 802.3ah OAM PDUs received at one end of an Epipe are forwarded through the Epipe. 802.3ah can run between devices that are located at each end of the Epipe. When OAM PDU tunneling is disabled (by default), OAM PDUs are dropped or processed locally according to the **efm-oam** configuration (**shutdown** or **no shutdown**).

Note that by enabling 802.3ah for a specific port and enabling OAM PDU tunneling for the same port are mutually exclusive. Enforcement is performed on the CLI level.

802.3ah Grace Announcement

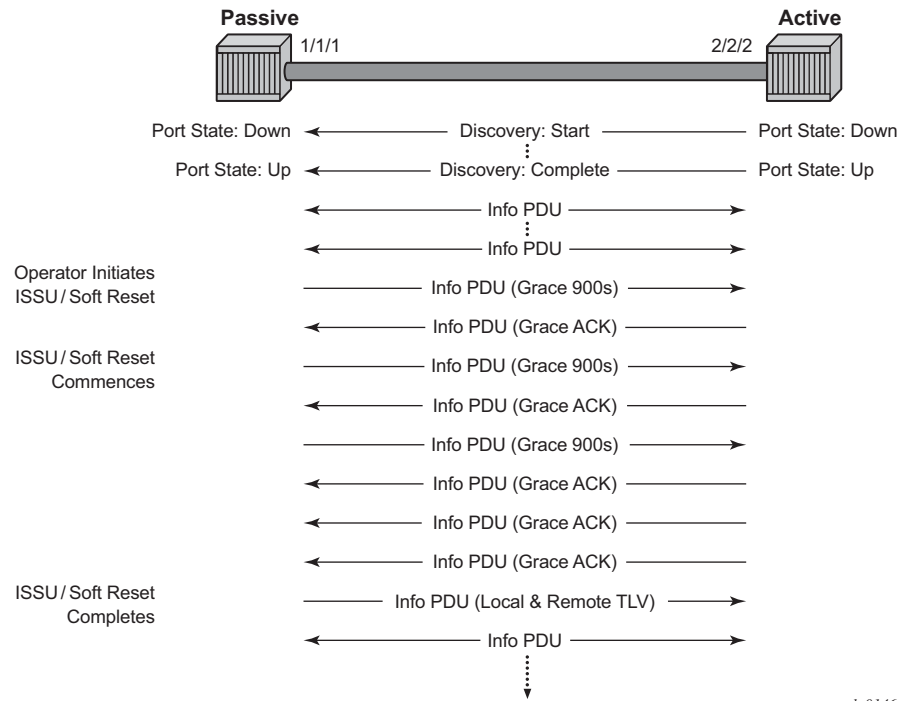
A vendor-specific Grace TLV will be included in the Information PDU generated as part of the 802.3ah OAM protocol when a network element undergoes an ISSU function. Nodes that support the Soft Rest messaging functions will allow the local node to generate the grace TLV.

The grace TLV is used to inform a remote peer that the negotiated interval and multiplier should be ignored and the new 900s timeout interval should be used to timeout the session. The peer receiving the Grace TLV must be able to parse and process the vendor specific messaging.

The new command **grace-tx-enable** has been introduced to enable this functionality. This command exists at two levels of the hierarchy, system level and port level. By default this functionality is enabled on the port. At the system level this command defaults to disabled. In order to enable this functionality both the port and the system commands must be enabled. If either is not enabled then the combination will not allow those ports to generate the vendor specific Grace TLV. This functionality must be enabled at both the system and port level prior to the ISSU or soft reset function. If this is enabled during a soft reset or after the ISSU function is already in progress it will have no affect during that window. Both Passive and Active 802.3ah OAM peers can generate the Grace TVL as part of the informational PDU.

There is no command to enable this on the receiving node. As long as the receiver understands and can parse the Grace TLV it will enter the grace mode of operation.

The basic protocol flow below helps demonstrate the interaction between passive-active and active-active peer combinations supporting the Grace TLV. In the first diagram the passive node is entering an ISSU on a node that supports soft reset capabilities.



al_0146

Figure 31: Grace TLV Passive Node with Soft Reset

In this diagram the Active node is experiencing the ISSU function on a node that supports soft reset capabilities.

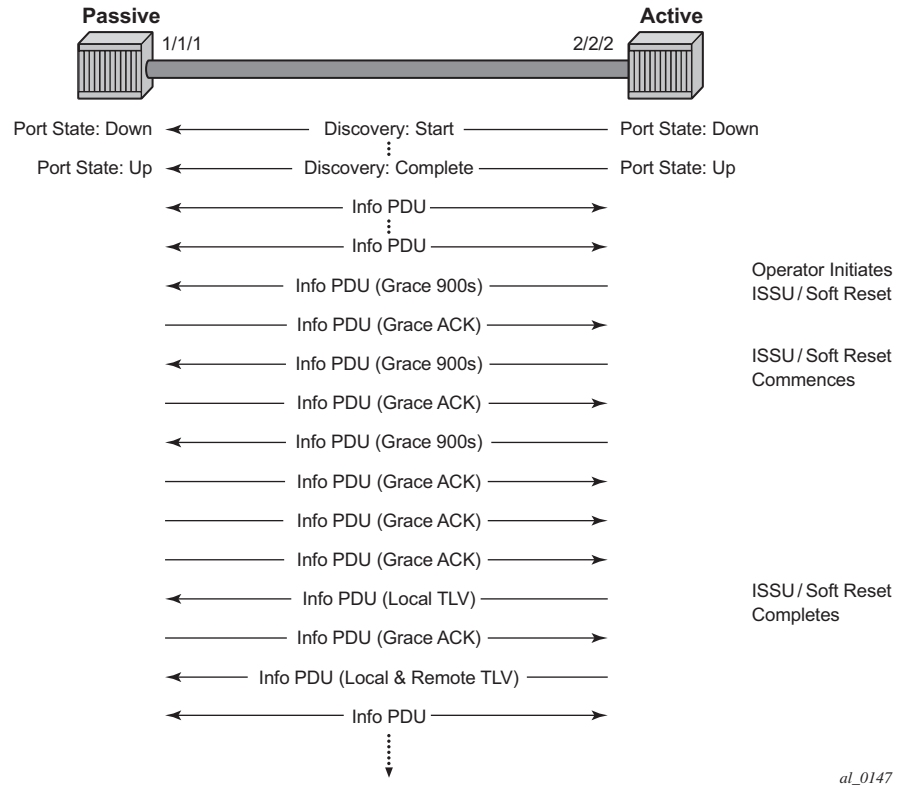


Figure 32: Grace TLV Active Node with Soft Reset

The difference between the two is subtle but important. When an active node performs this function it will generate an Informational TLV with the Local TLV following the successful soft reset. When it receives the Information PDU with the Grace Ack it will send its own Information PDU with both Local and Remote TLV completed. This will complete the protocol restart. When a passive node is reset the passive port will wait to receive the 802.3ah OAM protocol before sending its own Information PDU with both the Local and Remote TLV thus completing the protocol restart.

The renegotiation process allows the node which experienced the ISSU or soft reset to rebuild the session without having to restart the session from the discovery phase. This significantly reduces the impact of the native protocol on data forwarding.

Any situation that could cause the renegotiation to fail will force the protocol to revert to the discovery phase and fail the graceful restart. During a Major ISSU when the EFM OAM session is held operational by the Grace function, if the peer MAC address of the session changes, there will be no log event raised for the MAC address change.

This feature does not support the clearing of an IOM which does not trigger a soft reset. That is a forceful event that will not trigger this graceful protocol renegotiation.

A number of show commands have been enhanced to help operators determine the state of the 802.3ah OAM Grace function and whether or not the peer is generating or receiving the Grace TLV.

The system level information can be viewed using the **show system info** command.

```
show system information
```

```
=====
System Information
=====
System Name           : ystem-name
System Type           : 7750 SR-12
System Version        : 11.0r4
System Contact        :
System Location       :
System Coordinates    :
System Active Slot    : A
System Up Time        : 62 days, 20:29:48.96 (hr:min:sec)

...snip...

EFM OAM Grace Tx Enable: False
=====
```

EFM OAM Grace Tx Enable:

False The system level functionality is not enabled. Grace will not be generated on any ports regardless of the state of the option on the individual ports

True The system level functionality is enabled and the determination of whether to send grace is base on the state of the option configured at the port level

Individual ports also contain information about the current port configuration and whether or not the Grace TLV is being sent or received.

Grace Tx Enable has two enable states with the current state in brackets to the right.

False The port level functionality is not enabled. Grace will not be generated on the port regardless of the state of the option at the system level.

True The port level functionality is enabled and the determination of whether to send grace is based on the state of the option configured at the system level

(inactive) Not currently sending Grace TLV

(active) Currently sending the Grace TLV as part of the Information PDU

Peer Grace Rx

False Not receiving Grace TLV from the peer

True Receiving Grace TLV from the peer

Port 1/2/1 is currently sending the Grace TLV and represents the node that is experiencing the ISSU function with soft reset support.

```

show port 1/2/1 ethernet efm-oam
=====
Ethernet Oam (802.3ah)
=====
Admin State      : up
Oper State       : operational
Mode             : active
Pdu Size         : 1514
Config Revision  : 0
Function Support : LB
Transmit Interval : 100 ms
Multiplier       : 2
Hold Time        : 0
Tunneling        : false
Loop Detected    : false
Grace Tx Enable  : true (active)

Peer Mac Address : 00:16:4d:16:5e:40
Peer Vendor OUI  : 00:16:4d
Peer Vendor Info : 00:00:00:00
Peer Mode        : active
Peer Pdu Size    : 1514
Peer Cfg Revision : 0
Peer Support     : LB
Peer Grace Rx    : false

Loopback State   : None
Loopback Ignore Rx : Ignore
Ignore Efm State : false

=====
Ethernet Oam Statistics
=====
                                     Input          Output
-----
Information                0                697
Loopback Control           0                0
Unsupported Codes          0                0
Frames Lost                 0                0
=====

```

Port 3/2/1 is currently not sending the Grace TLV but is receiving the Grace TLV from its peer. This represents the peer node connected to the node that is experiencing the ISSU function with the soft reset support.

```
show port 3/2/1 ethernet efm-oam
```

```

=====
Ethernet Oam (802.3ah)
=====
Admin State       : up
Oper State        : operational
Mode              : active
Pdu Size          : 1514
Config Revision   : 0
Function Support  : LB
Transmit Interval : 100 ms
Multiplier        : 2
Hold Time         : 0
Tunneling         : false
Loop Detected     : false
Grace Tx Enable   : true (inactive)

Peer Mac Address  : 00:16:4d:95:ea:2a
Peer Vendor OUI   : 00:16:4d
Peer Vendor Info  : 00:00:00:00
Peer Mode         : active
Peer Pdu Size     : 1514
Peer Cfg Revision : 0
Peer Support      : LB
Peer Grace Rx     : true

Loopback State    : None
Loopback Ignore Rx : Ignore
Ignore Efm State  : false

=====
Ethernet Oam Statistics
=====
-----+-----+-----
                                         Input           Output
-----+-----+-----
Information                               24488           50984
Loopback Control                          1784            4859
Unsupported Codes                          0                0
Frames Lost                                0                0
=====

```

MTU Configuration Guidelines

Observe the following general rules when planning your service and physical MTU configurations:

- The 7750 SR must contend with MTU limitations at many service points. The physical (access and network) port, service, and SDP MTU values must be individually defined.
- Identify the ports that will be designated as network ports intended to carry service traffic.
- MTU values should not be modified frequently.
- MTU values must conform to both of the following conditions:
 - The service MTU must be less than or equal to the SDP path MTU.
 - The service MTU must be less than or equal to the access port (SAP) MTU.

Default MTU Values

[Table 27](#) displays the default MTU values which are dependent upon the (sub-) port type, mode, and encapsulation.

Table 27: MTU Default Values

Port Type	Mode	Encap Type	Default (bytes)
Ethernet	access	null	1514
Ethernet	access	dot1q	1518
Fast Ethernet	network	—	1514
Other Ethernet	network	—	9212*
SONET path or TDM channel	access	BCP-null	1518
SONET path or TDM channel	access	BCP-Dot1q	1522
SONET path or TDM channel	access	IPCP	1502
SONET path or TDM channel	network	—	9208
SONET path or TDM channel	access	frame-relay	1578
SONET path or TDM channel	access	atm	1524

*The default MTU for Ethernet ports other than Fast Ethernet is actually the lesser of 9212 and any MTU limitations imposed by hardware which is typically 16K

Modifying MTU Defaults

MTU parameters should be modified on the service level as well as the port level.

- The service-level MTU parameters configure the service payload (Maximum Transmission Unit – MTU) in bytes for the service ID overriding the service-type default MTU.
- The port-level MTU parameters configure the maximum payload MTU size for an Ethernet port or SONET/SDH SONET path (sub-port) or TDM port/channel, or a channel that is part of a multilink bundle or LAG.

The default MTU values should be modified to ensure that packets are not dropped due to frame size limitations. The service MTU must be less than or equal to both the SAP port MTU and the SDP path MTU values. When an SDP is configured on a network port using default port MTU values, the operational path MTU can be less than the service MTU. In this case, enter the `show service sdp` command to check the operational state. If the operational state is down, then modify the MTU value accordingly.

Configuration Example

In order for the maximum length service frame to successfully travel from a local ingress SAP to a remote egress SAP, the MTU values configured on the local ingress SAP, the SDP (GRE or MPLS), and the egress SAP must be coordinated to accept the maximum frame size the service can forward. For example, the targeted MTU values to configure for a distributed Epipe service (ALA-A and ALA-B) are displayed in [Figure 33](#).

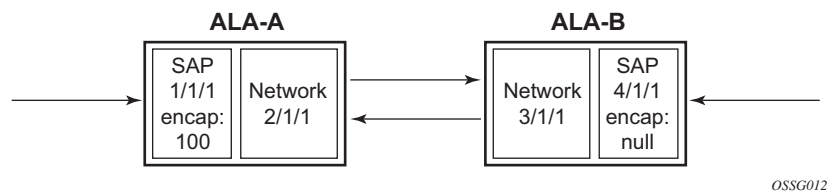


Figure 33: MTU Configuration Example

Table 28: MTU Configuration Example Values

	ALA-A		ALA-B	
	Access (SAP)	Network	Network	Access (SAP)
Port (slot/MDA/port)	1/1/1	2/1/1	3/1/1	4/1/1
Mode type	dot1q	network	network	null
MTU	1518	1556	1556	1514

Since ALA-A uses Dot1q encapsulation, the SAP MTU must be set to 1518 to be able to accept a 1514 byte service frame (see [Table 27](#) for MTU default values). Each SDP MTU must be set to at least 1514 as well. If ALA-A's network port (2/1/1) is configured as an Ethernet port with a GRE SDP encapsulation type, then the MTU value of network ports 2/1/1 and 3/1/1 must *each* be at least 1556 bytes (1514 MTU + 28 GRE/Martini + 14 Ethernet). Finally, the MTU of ALA-B's SAP (access port 4/1/1) must be at least 1514, as it uses null encapsulation.

Deploying Preprovisioned Components

When a line card/CMA/MDA is installed in a preprovisioned slot, the device detects discrepancies between the preprovisioned line card/CMA/MDA type configurations and the types actually installed. Error messages display if there are inconsistencies and the card will not initialize.

When the proper preprovisioned line card/CMA/MDA are installed into the appropriate chassis slot, alarm, status, and performance details will display.

Configuration Process Overview

Figure 34 displays the process to provision chassis slots, line cards, MDAs, and ports.

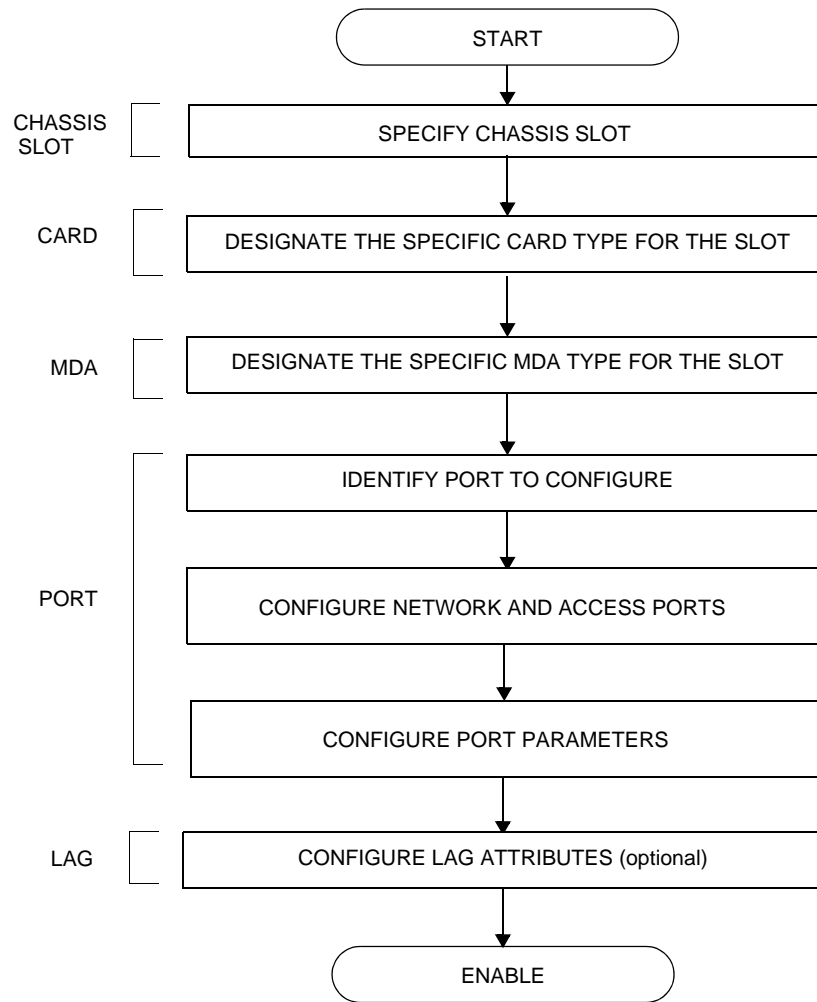


Figure 34: Slot, Card, MDA, and Port Configuration and Implementation Flow

Configuration Notes

The following information describes provisioning caveats:

- If a card or MDA type is installed in a slot provisioned for a different type, the card will not initialize.
- A card and MDA installed in an unprovisioned slot remain administratively and operationally down until the card type and MDA is specified.
- Ports cannot be provisioned until the slot, card and MDA type are specified.
- cHDLC does not support HDLC windowing features, nor other HDLC frame types such as S-frames.
- cHDLC operates in the HDLC Asynchronous Balanced Mode (ABM) of operation.
- APS configuration rules:
 - A physical port (either working or protection) must be shutdown before it can be removed from an APS group port.
 - For a single-chassis APS group, a working port must be added first. Then a protection port can be added or removed at any time.
 - A protection port must be shutdown before being removed from an APS group.
 - A path cannot be configured on a port before the port is added to an APS group.
 - A working port cannot be removed from an APS group until the APS port path is removed.
 - When ports are added to an APS group, all path-level configurations are available only on the APS port level and configuration on the physical member ports are blocked.
 - For APS-protected bundles, all members of a working bundle must reside on the working port of an APS group. Similarly all members of a protecting bundle must reside on the protecting circuit of that APS group.

Configuring Physical Ports with CLI

This section provides information to configure cards, MDAs, and ports.

Topics in this section include:

- [Preprovisioning Guidelines on page 161](#)
 - [Predefining Entities on page 161](#)
 - [Preprovisioning a Port on page 162](#)
 - [Maximizing Bandwidth Use on page 163](#)
- [Basic Configuration on page 164](#)
- [Common Configuration Tasks on page 167](#)
 - [Configuring Ports on page 174](#)
 - [Configuring LAG Parameters on page 238](#)
- [Common Configuration Tasks on page 167](#)
 - [Configuring Cards and MDAs on page 168](#)
 - [Configuring Cards, MDA Carrier Modules \(MCMs\) and Media Dependent Adapters \(MDAs\) on page 169](#)
 - [Configuring MDA/CMA Access and Network Pool Parameters on page 172](#)
 - [Configuring Ports on page 174](#)
 - [Configuring Port Pool Parameters on page 174](#)
 - [Changing Hybrid-Buffer-Allocation on page 177](#)
 - [Configuring APS Parameters on page 178](#)
 - [Configuring Ethernet Port Parameters on page 180](#)
 - [Configuring SONET/SDH Port Parameters on page 182](#)
 - [Configuring Channelized Ports on page 185](#)
 - [Configuring Cpipe Port Parameters on page 205](#)
 - [Configuring ATM SAPs on page 207](#)
 - [Configuring DWDM Port Parameters on page 208](#)
 - [Configuring OTU Port Parameters on page 214](#)
 - [Configuring ATM Interface Parameters on page 216](#)
 - [Configuring Frame Relay Parameters on page 222](#)
 - [Configuring Multilink PPP Bundles on page 226](#)
 - [Configuring Multilink ATM Inverse Multiplexing \(IMA\) Bundles on page 227](#)
 - [Configuring Bundle Protection Group Ports on page 232](#)
 - [Configuring LAG Parameters on page 238](#)
 - [Configuring BFD on LAG Links on page 238](#)

- [Service Management Tasks on page 242](#)
 - [Modifying or Deleting an MDA, MCM, or CMA on page 242](#)
 - [Modifying a Card Type on page 243](#)
 - [Deleting a Card on page 244](#)
 - [Deleting Port Parameters on page 244](#)

Preprovisioning Guidelines

7750 SR-Series routers have at least two ports, either located on SF/CPM modules on the CCM or integrated into the chassis (on the 7750 SR-1 and 7750 SR-c4 models), a console port and an auxiliary port, to connect terminals to the router.

Configure parameters from a system console connected to a 7750 SR console port, using Telnet to access a 7750 SR remotely or SSH to open a secure shell connection.

Predefining Entities

In order to initialize a card, the chassis slot, line card type, and MDA type must match the preprovisioned parameters. In this context, *preprovisioning* means to configure the entity type (such as the line card type, MDA type, port, and interface) that is planned for a chassis slot, line card, or MDA. Preprovisioned entities can be installed but not enabled or the slots can be configured but remain empty until populated. *Provisioning* means that the preprovisioned entity is installed and enabled.

You can:

- Pre-provision ports and interfaces after the line card and MDA types are specified.
- Install line cards in slots with no preconfiguration parameters specified. Once the card is installed, the card and MDA types must be specified.
- Install a line card in a slot provisioned for a different card type (the card will not initialize). The existing card and MDA configuration must be deleted and replaced with the current information.

Preprovisioning a Port

Before a port can be configured, the slot must be preprovisioned with an allowed card type and the MDA must be preprovisioned with an allowed MDA type.

Some recommendations to configure a port include:

- Ethernet
 - Configure an access port for customer facing traffic on which services are configured. An encapsulation type may be specified in order to distinguish services on the port or channel. Encapsulation types are not required for network ports. To configure an Ethernet access port, refer to [on page 180](#).
- SONET/SDH
 - SONET/SDH can be used only when configuring an OC-3, OC-12, OC-48, OC-192, and OC-768 SONET paths on an appropriate MDA. To configure a SONET path, refer to [Configuring SONET/SDH Port Parameters on page 182](#).
Configure a network port or channel to participate in the service provider transport or infrastructure network.
Accounting policies can only be associated with network ports/channels and Service Access Ports (SAPs). Accounting policies are configured in the **config>log>accounting-policy** context. To configure an Ethernet network port, refer to [on page 180](#).
- Channelized
 - Channelized ports can only be configured on channel-capable MDAs or CMAs such as the channelized DS-3, channelized OC-3-SFP, channelized OC-12-SFP, or channelized Any Service Any Port MDAs or CMAs.

Maximizing Bandwidth Use

Once ports are preprovisioned, Link Aggregation Groups (LAGs), multilink-bundles (IMA), or Bundle Protection Groups (for example IMA BPGrps), can be configured to increase the bandwidth available between two nodes. All physical links or channels in a given LAG combine to form one logical connection. A LAG also provides redundancy in case one or more links that participate in the LAG fail. For command syntax, see [Configuring Multilink PPP Bundles on page 226](#). To configure channelized port for TDM, refer to section [Configuring Channelized Ports on page 185](#). To configure channelized port for Sonet/SDH high speed channels (ASAP MDAs only), refer to [Configuring SONET/SDH Port Parameters on page 182](#).

Basic Configuration

The most basic configuration must have the following:

- Identify chassis slot.
- Specify line card type (must be an allowed card type).
- Specify MCM slot for 7750 SR-c4 and SR-c12 only (not required for CMA)
- Specify MCM type 7750 SR-c4 and SR-c12 only (must be an allowed MCM type)
- Identify MDA slot.
- Specify MDA (must be an allowed MDA type).
- Identify specific port to configure.

The following example displays some card configurations:

```
ALA-A>config# info
#-----
# Card Configuration
#-----
  card 1
    card-type iom-20g
    mda 1
      mda-type m60-10/100eth-tx
    exit
    mda 2
      mda-type m60-10/100eth-tx
    exit
  exit
  card 2
    card-type iom-20g
    mda 1
      mda-type m10-1gb-sfp
    exit
    mda 2
      mda-type m10-1gb-sfp
    exit
  exit
  card 3
    card-type iom-20g
    mda 1
      mda-type m12-ds3
    exit
    mda 2
      mda-type m12-ds3
    exit
  exit
  card 8
    card-type iom-20g
    mda 1
      mda-type m8-oc12/3-sfp
    exit
    mda 2
      mda-type m16-oc12/3-sfp
```

```

        exit
    exit
#-----
echo "Card Configuration"
#-----
    card 1
        card-type iom-xp
        mcm 1
            mcm-type mcm-xp
        exit
        mcm 3
            mcm-type mcm-xp
        exit
        mda 1
            mda-type m60-10/100eth-tx
        exit
        mda 3
            mda-type m4-atmoc12/3-sfp
        exit
        mda 5
            mda-type c8-10/100eth-tx
        exit
        mda 6
            mda-type c1-lgb-sfp
        exit
        mda 7
            mda-type c8-chds1
        exit
        mda 8
            mda-type c4-ds3
        exit
    exit
#-----
ALA-A> config#
#-----
echo "Card Configuration "
#-----
card 1
card-type iom-c4-xp
mcm 1
mcm-type mcm-v1
exit
mcm 3
mcm-type mcm-xp
exit
mda 1
mda-type m60-10/100eth-tx
exit
mda 3
mda-type m4-atmoc12/3-sfp
exit
exit
#-----
ALA-A> config#
configure
    card 2
        card-type iom3-xp
        mda 1
            mda-type isa-tms

```

Basic Configuration

```
        no shutdown
    exit
    mda 2
        mda-type isa-tms
        no shutdown
    exit
    no shutdown
exit
exit
```

Common Configuration Tasks

The following sections are basic system tasks that must be performed.

- [Configuring Cards and MDAs on page 168](#)
 - [Configuring MDA/CMA Access and Network Pool Parameters on page 172](#)
- [Configuring Ports on page 174](#)
 - [Configuring Port Pool Parameters on page 174](#)
 - [Configuring APS Parameters on page 178](#)
 - [Configuring Ethernet Port Parameters on page 180](#)
 - [Configuring SONET/SDH Port Parameters on page 182](#)
 - [Configuring Channelized Ports on page 185](#)
 - [Configuring Frame Relay Parameters on page 222](#)
 - [Configuring Multilink PPP Bundles on page 226](#)
- [Configuring LAG Parameters on page 238](#)
- [Configuring G.8031 Protected Ethernet Tunnels on page 240](#)
- [Service Management Tasks on page 242](#)

Configuring Cards and MDAs

Card configurations include a chassis slot designation. To configure the Versatile Service Module, refer to the Versatile Service Module section of the 7750 SR OS Services Guide.

The following example displays a card and MDA configuration:

```
A:ALA-B>config>card# info
-----
card-type iom-20g
  mda 1
    mda-type m10-1gb-sfp
  exit
  mda 2
    mda-type m10-1gb-sfp
  exit
-----
A:ALA-B>config>card#
```


Configuring Cards, MDA Carrier Modules (MCMs) and Media Dependent Adapters (MDAs)

Card configurations must include a chassis slot designation. A slot must be preconfigured with the type of cards, MCMs, and MDAs which are allowed to be provisioned.

Note: Output for Media Dependent Adapters (MDAs) show an “m” in the **mda-type** description, for example, **m60-eth10/100-tx**.

Use the **config > info** command to display card configuration information:

```
A:7710-3>config# info
. . .
#-----
echo "Card Configuration"
#-----
  card 1
    card-type iom-xp
    mcm 1
      mcm-type mcm-xp
    exit
    mcm 3
      mcm-type mcm-xp
    exit
  mda 1
    mda-type m60-eth10/100-tx
  exit
  mda 3
    mda-type m60-eth10/100-tx
  exit
exit
```

Configuring Cards and Compact Media Adapters (CMAs)

Card configurations must include a chassis slot designation. A slot must be preconfigured with the type of cards and CMAs which are allowed to be provisioned.

Note: Compact Media Adapters (CMAs) are configured using the MDA command. Output for Compact Media Adapter MDAs show a “c” in the **mda-type** description, for example, **c8-10/100eth-tx**.

Use the **config > info** command to display card configuration information:

```
A:7710-3>config# info
. . .
#-----
echo "Card Configuration"
#-----
    card 1
        card-type iom-xp
            mda 5
                mda-type c8-10/100eth-tx
            exit
            mda 6
                mda-type c8-10/100eth-tx
            exit
        exit
#-----
```

Configuring Forwarding Plane Parameters

The following output provides a forwarding plane configuration. The **fp** command is not allowed on iom-1 or iom-2 types. An error message appears when the command is executed on an incorrect IOM type:

```

MINOR: CLI This command is not supported for iom2-20g.

*A:Dut-C# configure card 10
*A:Dut-C>config>card# info
-----
card-type iom3-xp
fp 1
  ingress
    mcast-path-management
      bandwidth-policy "BWP"
      no shutdown
    exit
  exit
exit
mda 1
  mda-type m1-10gb
  ingress
    mcast-path-management
      bandwidth-policy "BWP"
      no shutdown
    exit
  exit
exit
mda 2
  mda-type m2-10gb-xfp
  ingress
    mcast-path-management
      bandwidth-policy "BWP"
      no shutdown
    exit
  exit
exit
exit
-----
*A:Dut-C>config>card# exit

```

Configuring MDA/CMA Access and Network Pool Parameters

MDA-level pools are used by ingress network queues. Network policies can be applied (optional) to create and edit QoS pool resources on egress network ports, channels, and ingress MDAs. Network-queue and slope policies are configured in the `config>qos` context.

The following example displays an MDA pool configuration:

```
A:ALA-B>config>card>mda# info
-----
      mda-type m10-1gb-sfpcx
      network
        egress
          pool
            slope-policy "B"
          exit
        exit
      exit
    access
      ingress
        pool
          resv-cbs 50
          slope-policy "A"
        exit
      exit
    exit
-----
A:ALA-B>config>card>mda#
```

Configuring MDA Policies for Named Pools Mode

Network ingress queues can use either MDA ingress named pools or ingress default pools but not port named pools. In the case with an IOM with multiple MDAs sharing the same buffer space (iom3-xp, iom-10g), network ingress queues will use only the MDA 1 named pools. Even if named pools are configured for MDA 2, they will not be used by network ingress queues. Network ingress queues configured to use MDA2 named pools will be considered pool orphaned. To check for orphan queues, use the command “show mda <mda> qos ingress orphaned-queues”.

SAP shared queues use by default the SAP shared pool; a system reserved buffer pool. Shared queues can be configured to use MDA named pools. Shared queues cannot be configured to use port pools since they are not port specific queues. In case a shared queue is configured to use a port named pool, the queue will be considered orphan and will get buffers from access ingress default pool.

For complete QoS configuration details reference the Named Pools section of the QoS Guide. Interface Named Pools configuration details are located in the Interface CLI portion of this guide.

Configuring Ports

This section provides the CLI syntax and examples to configure the following:

- [Configuring Port Pool Parameters on page 174](#)
 - [Changing Hybrid-Buffer-Allocation on page 177](#)
 - [Configuring APS Parameters on page 178](#)
 - [Configuring Ethernet Port Parameters on page 180](#)
 - [Configuring SONET/SDH Port Parameters on page 182](#)
 - [Configuring Channelized Ports on page 185](#)
 - [Configuring DWDM Port Parameters on page 208](#)
 - [Configuring WaveTracker Parameters on page 210](#)
 - [Configuring OTU Port Parameters on page 214](#)
-

Configuring Port Pool Parameters

The buffer space is portioned out on a per port basis whether one or multiple MDAs share the same buffer space. Each port gets an amount of buffering which is its fair-share based on the port's bandwidth compared to the overall active bandwidth.

IOM with each MDA has a dedicated buffer space: iom-20g; iom2-20g.

IOM with multiple MDAs share a buffer space: iom-10g; iom3-xp.

This mechanism takes the buffer space available and divides it into a portion for each port based on the ports active bandwidth relative to the amount of active bandwidth for all ports associated with the buffer space. The number of ports sharing the same buffer space depends on the type of IOM the pools are being created on and the type of MDAs populated on the IOM. An active port is considered to be any port that has an active queue associated. Once a queue is created for the port, the system will allocate the appropriate amount of buffer space to the port. This process is independently performed for both ingress and egress.

Normally, the amount of active bandwidth is considered as opposed to total potential bandwidth for the port when determining the ports fair share. If a port is channelized and not all bandwidth is allocated, only the bandwidth represented by the configured channels with queues configured is counted towards the bandwidth represented by the port. Also, if a port may operate at variable speeds (as in some Ethernet ports), only the current speed is considered. Based on the above, the number of buffers managed by a port may change due to queue creation and deletion, channel creation and deletion and port speed variance on the local port or other ports sharing the same buffer space.

After the active bandwidth is calculated for the port, the result may be modified through the use of the 'ing-percentage-of-rate' and 'egr-percent-of-rate' commands. The default value of each is 100% which allows the system to use all of the ports active bandwidth when deciding the relative amount of buffer space to allocate to the port. When the value is explicitly modified, the active bandwidth on the port is changed according to the specified percentage. If a value of 50% is given, the ports active bandwidth will be multiplied by .5, if a value of 150% is given, the active bandwidth will be multiplied by 1.5. This capability is independent of named pool mode. The ports rate percentage parameters may be modified at any time.

Examples:

1. To modify (in this example, to double) the size of buffer allocated on ingress for a port:

CLI Syntax: B:SR7-10# configure port 1/2/1 modify-buffer-allocation-rate ing-percentage-of-rate 200

2. To modify (in this example, to double) the size of buffer allocated on ingress for a port:

CLI Syntax: B:SR7-10# configure port 1/2/1 modify-buffer-allocation-rate egr-percentage-of-rate 200

Named Buffer Pools feature provides a way to customize the port ingress and/or egress buffer allocation. The port buffer allocation size and Forwarding class (FC) queue association to the buffer pool may be changed. By mapping each FC to different pools, it is possible to achieve separation of available buffers per forwarding class.

Previous to this feature only the default buffer allocation mode was available, with the following characteristics:

- Each port manages a buffer according to its active bandwidth (ports with equal active bandwidth get the same buffer size).
- An access port has 2 default pools created: access-ingress and access-egress.
- A network port has 2 default pools created: ingress-MDA (common pool for all ingress network ports) and network-egress.
- All queues defined for a port get buffers from the same buffer pool.

Named Buffer Pools feature offers the following new capabilities:

- Ability to modify the port bandwidth considered for buffer allocation without changing the active port bandwidth. (modify-buffer-allocation-rate) (ports with equal active bandwidth can be configured to get different buffer size)
- Configure a named pool policy which includes the customized buffer pools
- Forwarding class queues are associated with the named pools
- Pools can be default, MDA common pools, port specific pools.

Configuring Ports

The following example displays port pool configurations:

```
A:ALA-B>config>port# info
-----
    access
      egress
        pool
          slope-policy "slopePolicy1"
        exit
      exit
    exit
  network
    egress
      pool
        slope-policy "slopePolicy2"
      exit
    exit
  exit
no shutdown
-----
```

Configuring CBS over subscription example:

```
*A:Dut-T>config>port# info
-----
    access
      ingress
        pool
          amber-alarm-threshold 10
          resv-cbs 10 amber-alarm-action step 1 max 30
        exit
      exit
    exit
  ethernet
    mode access
    encap-type dot1q
  exit
no shutdown
```


Changing Hybrid-Buffer-Allocation

The following example displays a hybrid-buffer-allocation value change (from default) for ingress. In this example, the network-egress buffer pool is two times the size of the access-egress.

```
A:SR>config>port>hybrid-buffer-allocation# info
-----
egr-weight access 20 network 40
```

Configuring APS Parameters

NOTE: It is recommended to group working lines and protect lines on separate IOMs.

APS configuration rules:

- A working port must be added first. Then a protection port can be added or removed at any time.
- A protection port must be shutdown before being removed from an APS group.
- A path cannot be configured on a port before the port is added to an APS group.
- A working port cannot be removed from an APS group until the APS port path is removed.
- When ports are added to an APS group, all path-level configurations are available only on the APS port level and configuration on the physical member ports are blocked.
- For a multi-chassis APS group, only one member circuit (either working or protect) can be added. Note that the neighbor IP address of an APS group must be configured before adding a member circuit in it. The configuration of a non-zero neighbor IP address indicates the APS group as multi-chassis. Thus, the member circuit and services must be removed before adding or removing the neighbor IP address (for example, before converting an APS group from multi-chassis to single-chassis or single-chassis to multi-chassis).
- Bundle Protection Group (BPGGrp) - A BPGGrp is a collection of two bundles created on the APS Group port. Working bundle resides on the working circuit of the APS group, while protection bundle resides on the protection circuit of the APS group. APS protocol running on the circuits of the APS Group port monitors the health of the Sonet/SDH line and based on it or administrative action moves user traffic from one bundle to another in the group as part of an APS switch.

The following displays sample configuration for an ATM SC-APS group that contains an aPipe SAP:

```
A:ALA-274>config# port (1/1/1)
-----
sonet-sdh
  speed oc3
exit
no-shutdown
-----
A:ALA-274>config>port# aps-1
-----
aps
  working-circuit 1/1/1
  protect-circuit 1/1/2
exit
sonet-sdh
  path
    atm
```

```

        exit
        no-shutdown
    exit
exit
no-shutdown
exit
-----
A:ALA-274>config>service# apipe 100
-----
    sap aps-1:0/100 create
    exit
    spoke-sdp 1:100 create
    exit
    no-shutdown
-----

```

The following displays an example of the configuration for the working circuit/node of a MC-APS group:

```

A:ALA-274>config>port (2/1/1)# info
-----
    description "APS Group"
    aps
        neighbor 13.1.1.2
        working-circuit 2/1/1
    exit
    no shutdown
-----
A:ALA-274>config>port#

```

The following displays an example of the configuration for the protect circuit/node of a MC-APS group:

```

A:ALA-274>config>port (2/2/2)# info
-----
    description "APS Group"
    aps
        neighbor 13.1.1.1
        protect-circuit 2/2/2
    exit
    no shutdown
-----
A:ALA-274>config>port#

```

Configuring Ethernet Port Parameters

Ethernet Network Port

A network port is network facing and participates in the service provider transport or infrastructure network processes.

The following example displays a network port configuration:

```
A:ALA-B>config>port# info
-----
      description "Ethernet network port"
      ethernet
      exit
      no shutdown
-----
A:ALA-B>config>port#
```

Ethernet Access Port

Services are configured on access ports used for customer-facing traffic. If a Service Access Port (SAP) is to be configured on a port, it must be configured as access mode. When a port is configured for access mode, the appropriate encapsulation type can be specified to distinguish the services on the port. Once a port has been configured for access mode, multiple services may be configured on the port.

```
A:ALA-A>config>port# info
-----
      description "Ethernet access port"
      access
        egress
          pool
            slope-policy "slopePolicy1"
          exit
        exit
      exit
    network
      egress
        pool
          slope-policy "slopePolicy2"
        exit
      exit
    ethernet
      mode access
      encap-type dot1q
    exit
  no shutdown
-----
A:ALA-A>config>port#
```

Configuring 802.1x Authentication Port Parameters

The following example displays an 802.1x port configuration:

```
A:ALA-A>config>port>ethernet>dot1x# info detail
-----
      port-control auto
      radius-plcy dot1xpolicy
      re-authentication
      re-auth-period 3600
      max-auth-req 2
      transmit-period 30
      quiet-period 60
      supplicant-timeout 30
      server-timeout 30
      no tunneling
-----
```

Configuring SONET/SDH Port Parameters

SONET/SDH features can only be configured on ports on the following MDAs and CMAs:

- OC-3
- OC-3 ASAP
- OC-12/3
- OC-48
- OC-192
- OC-768
- OC-12 ASAP
- Channelized OC3
- Channelized OC12
- ATM OC-12/3
- ATM OC-12
- Channelized ASAP OC3
- Channelized ASAP OC12

SONET/SDH Network Port

The following example displays a SONET/SDH network mode configuration:

```
A:ALA-A>config>port# info
-----
      description "SONET/SDH network port"
      sonet-sdh
        path
          no shutdown
        exit
      exit
      no shutdown
-----
A:ALA-A>config>port#
```

SONET/SDH Access Port

The following example displays a SONET/SDH access port configuration:

```
A:ALA-A>config>port# info
-----
      description "SONET/SDH access port"
      sonet-sdh
        path
          mode access
          encap-type frame-relay
          mac 00:03:47:c8:b4:86
          frame-relay
          exit
          no shutdown
        exit
      exit
      no shutdown
-----
A:ALA-A>config>port#
```


Configuring Channelized Ports

- [Configuring a Channelized DS3 Port on page 191](#)
- [Configuring a Channelized OC-12-SFP Port on page 194](#)
- [Configuring a Channelized Any Service Any Port \(ASAP\) OC3-SFP Port on page 198](#)
- [Configuring a Channelized DS1 Card on page 235](#)
- [Configuring Cisco HDLC on a Channelized Port on page 201](#)

When configuring channelized ports, the port ID is specified in different ways depending on the MDA type and level of channelization. Ethernet ports cannot be channelized. [Table 29](#) lists channelization options available on the 7750 SR channelized MDAs and gives port ID syntax for each.

Table 29: Channelization Options Available on the 7750 SR Channelized MDAs

Framing	Channelization/Mapping Option	Channelized MDAs Supporting Services on the Port/Channel
599,040 kbits/s (clear channel OC12/STM-4)		
SDH	STM4>AUG4>VC4-C4	None
SONET	OC12>STS12>STS12c SPE	None
139,264 kbits/s ñ 149,760 Kbits/s (clear channel STS-3/STM-1 or STS-3/STM-1 channel within STS12-STM4)		
SDH	STM4>AUG4>AUG1>VC4	m4-choc3-as
SONET	OC12>STS12>STS3c SPE	m4-choc3-as
44,763 kbits/s (DS3 or sub-DS3 port or a channel)		
SDH	STM4>AUG4>AUG1>VC4>TUG3>VC3	m1-choc12 m4-choc3 m12-chds3 m4-choc3-as
SDH	STM4>AUG4>AUG1>VC3	m1-choc12 m4-choc3 m12-chds3 m4-choc3-as
SONET	OC12>STS12>STS1 SPE	m1-choc12 m4-choc3 m12-chds3 m4-choc3-as

Table 29: Channelization Options Available on the 7750 SR Channelized MDAs (Continued)

Framing	Channelization/Mapping Option	Channelized MDAs Supporting Services on the Port/Channel
SDH	STM4>AUG4>AUG1>VC4>TUG3>VC3	m1-choc12 m4-choc3 m12-chds3 m4-choc3-as
SDH	STM4>AUG4>AUG1>VC3	m1-choc12 m4-choc3 m12-chds3 m4-choc3-as
SONET	OC12>STS12>STS1 SPE	m1-choc12 m4-choc3 m12-chds3 m4-choc3-as
Up to 2,048 kbits/s (n*DS0 within E1 up to E1)		
SDH	STM4>AUG4>AUG1>VC4>TUG3>TUG2>VC12	m1-choc12 m4-choc3 m12-chds3 m4-choc3-as
SDH	STM4>AUG4>AUG1>VC3>TUG2>VC12	m1-choc12 m4-choc3 m12-chds3 m4-choc3-as
SDH	STM4>AUG4>AUG1>VC4>TUG3>VC3>DS3	m1-choc12 m4-choc3 m12-chds3 m4-choc3-as
SDH	STM4>AUG4>AUG1>VC3>DS3	m1-choc12 m4-choc3 m12-chds3 m4-choc3-as
SONET	OC12>STS12>STS1 SPE>VT GROUP>VT2 SPE	m1-choc12 m4-choc3 m12-chds3 m4-choc3-as
SONET	OC12>STS12>STS1 SPE>DS3	m1-choc12 m4-choc3 m12-chds3 m4-choc3-as
Up to 1,544 kbits/s (n*DS0 within DS1 up to DS1)		

Table 29: Channelization Options Available on the 7750 SR Channelized MDAs (Continued)

Framing	Channelization/Mapping Option	Channelized MDAs Supporting Services on the Port/Channel
SDH	STM4>AUG4>AUG1>VC4>TUG3>TUG2>TU11>VC11	m1-choc12 m4-choc3 m12-chds3 m4-choc3-as
SDH	STM4>AUG4>AUG1>VC4>TUG3>TUG2>TU12>VC11	None
SDH	STM4>AUG4>AUG1>VC3>TUG2>VC11	m1-choc12 m4-choc3 m12-chds3 m4-choc3-as
SDH	STM4>AUG4>AUG1>VC4>TUG3>TUG2>VC12	m1-choc12 m4-choc3 m12-chds3
SDH	STM4>AUG4>AUG1>VC3>TUG2>VC12	m1-choc12 m4-choc3 m12-chds3 m4-choc3-as
SDH	STM4>AUG4>AUG1>VC4>TUG3>VC3>DS3	m1-choc12 m4-choc3 m12-chds3 m4-choc3-as
SDH	STM4>AUG4>AUG1>VC3>DS3	m1-choc12 m4-choc3 m12-chds3 m4-choc3-as
SONET	OC12>STS12>STS1 SPE>VT GROUP>VT1.5 SPE	m1-choc12 m4-choc3 m12-chds3 m4-choc3-as
SONET	OC12>STS12>STS1 SPE>VT GROUP>VT2 SPE	m1-choc12 m4-choc3 m12-chds3
SONET	OC12>STS12>STS1 SPE>DS3	m1-choc12 m4-choc3 m12-chds3 m4-choc3-as

Note: The E1 encapsulation in the ASAP MDA and in the channelized MDAs is compliant to G.704 and G.703. The G.703 feature allows a user to configure an unstructured E1 channel on deep channel MDAs and ASAP MDAs. In G.704, time slot 0 is used to carry timing information by a service provider and thus, only 31 slots are available to the end user. In G.703, all 32 time slots are available to the end user. Timing is provided by the end user.

A port ID for channels has one of the following syntax as applicable to channelization and mapping options where the port configuration syntax is slot/mda/port (Table 30):

Table 30: Channelized Port Syntax Examples

Port ID for Physical Port Speed			
Channel speed	OC12/STM4	OC3/STM1	DS3/E3
SONET/SDH			
STS12/STM4	port.sts12	N/A	N/A
STS3/STM1	port.sts3-{1..4}	port.sts3	N/A
STS1/STM0	port.sts1-{1..4},{1..3}	port.sts1-{1..3}	N/A
TUG3	port.tug3-{1..4},{1..3}	port.tug3-{1..3}	N/A
TU3	port.tu3-{1..4},{1..3}	port.tu3-{1..3}	N/A
VT15/VC1.1	port.vt15-{1..4},{1..3},{1..4},{1..7}	port.vt15-{1..3},{1..4},{1..7}	N/A
VT2/VC12	port.vt2-{1..4},{1..3},{1..3},{1..7}	port.vt2-{1..3},{1..3},{1..7}	N/A
TDM			
DS3/E3	port.{1..4},{1..3}	port.{1..3}	port
DS1 in DS3	port.{1..4},{1..3},{1..28}	port.{1..3},{1..28}	port.{1..28}
DS1 in VT2	port.{1..4},{1..3},{1..3},{1..7}	port.{1..3},{1..3},{1..7}	N/A
DS1 in VT15	port.{1..4},{1..3},{1..4},{1..7}	port.{1..3},{1..4},{1..7}	N/A
E1 in DS3	port.{1..4},{1..3},{1..21}	port.{1..3},{1..21}	port.{1..21}
E1 in VT2	port.{1..4},{1..3},{1..3},{1..7}	port.{1..3},{1..3},{1..7}	N/A
N*DS0 in DS1 in DS3	port.{1..4},{1..3},{1..28},{1..24}	port.{1..3},{1..28},{1..24}	port.{1..28},{1..24}
N*DS0 in DS1 in VT2	port.{1..4},{1..3},{1..3},{1..7},{1..24}	port.{1..3},{1..3},{1..7},{1..24}	N/A
N*DS0 in DS1 in VT15	port.{1..4},{1..3},{1..4},{1..7},{1..24}	port.{1..3},{1..4},{1..7},{1..24}	N/A
N*DS0 in E1 in DS3	port.{1..4},{1..3},{1..21},{2..32}	port.{1..3},{1..21},{2..32}	port.{1..21},{2..32}
N*DS0 in E1 in VT2	port.{1..4},{1..3},{1..3},{1..7},{2..32}	port.{1..3},{1..3},{1..7},{2..32}	N/A

Verify the MDA Type

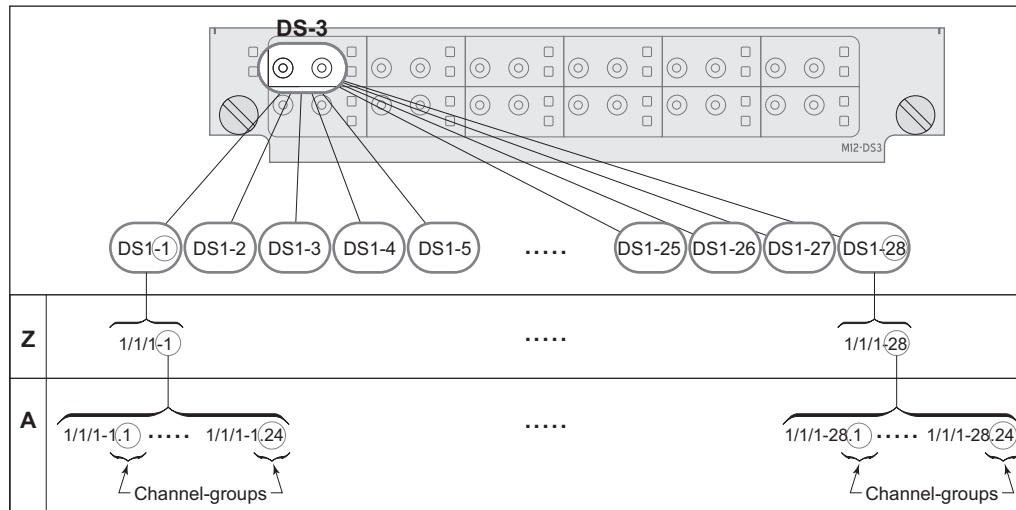
To make sure you have a channel-capable MDA, verify the MDA-type you are configuring by entering a **show mda slot-id** command.

The MDAs displayed in the *MDA Provisioned* column in the following output are a 12-port channelized DS3 MDA (m12-ds3) on card 1, MDA slot 1, and a 1-port channelized OC12-SFP MDA (m1-choc12-sfp) on card 1, MDA slot 2.

```
A:ALA-A# show mda 1
=====
MDA 1/1
=====
Slot  Mda  Provisioned      Equipped      Admin  Operational
      Mda-type      Mda-type      State      State
-----
1     1     m12-ds3          m12-ds3          up     provisioned
=====
ALA-A# show mda 2
=====
MDA 1/2
=====
Slot  Mda  Provisioned      Equipped      Admin  Operational
      Mda-type      Mda-type      State      State
-----
1     2     m1-choc12-sfp   m1-choc12-sfp   up     provisioned
=====
A:ALA-A#
```

Configuring a Channelized DS3 Port

Figure 35 depicts the logic of the DS3 port configuration.



MDA0021

Figure 35: Channelized DS3 Port Structure

The following describes steps to configure a channelized port on a 12-port DS3 MDA:

```
A:ALA-A>config# port 7/1/1
A:ALA-A>config>port# tdm
```

In order to set the channelized mode on a port, the DS3 parameter must be in a shut down state. Clear channel uses out-of-band signaling, not in-band signaling, so the channel's entire bit rate is available. Channelized ports use in-band signalling and must be explicitly enabled.

```
A:ALA-A>config>port>tdm# ds3
A:ALA-A>config>port>tdm>ds3# shutdown
A:ALA-A>config>port>tdm>ds3# channelized ds1
A:ALA-A>config>port>tdm>ds3# no shutdown
A:ALA-A>config>port>tdm>ds3# exit
```

In the DS1 context, configure DS0 channel groups parameters. 24 timeslots can be configured per channel group.

```
A:ALA-A>config>port>tdm# ds1 1
A:ALA-A>config>port>tdm>ds1# no shutdown
A:ALA-A>config>port>tdm>ds1# channel-group 1
A:ALA-A>config>port>tdm>ds1>channel-group# timeslots 1
A:ALA-A>config>port>tdm>ds1>channel-group# encap-type frame-relay
A:ALA-A>config>port>tdm>ds1>channel-group# no shutdown
A:ALA-A>config>port>tdm>ds1>channel-group# exit
```

Configuring Ports

```
A:ALA-A>config>port>tdm>ds1# channel-group 2
A:ALA-A>config>port>tdm>ds1>channel-group# timeslots 2-10
A:ALA-A>config>port>tdm>ds1>channel-group# no shutdown
A:ALA-A>config>port>tdm>ds1>channel-group# exit
A:ALA-A>config>port>tdm>ds1# exit
A:ALA-A>config>port>tdm# ds1 2
A:ALA-A>config>port>tdm>ds1# channel-group 1
A:ALA-A>config>port>tdm>ds1>channel-group# timeslots 1
A:ALA-A>config>port>tdm>ds1>channel-group# exit
A:ALA-A>config>port>tdm>ds1# no shutdown
A:ALA-A>config>port>tdm>ds1# channel-group 2
A:ALA-A>config>port>tdm>ds1>channel-group# timeslots 2
A:ALA-A>config>port>tdm>ds1>channel-group# exit
A:ALA-A>config>port>tdm>ds1# no shutdown
```

The following output displays the channelized mode configuration:

```
A:ALA-A>config>port># info
-----
tdm
  ds3 ds3
    channelized ds1
    no shutdown
  exit
  ds1 ds1-1
    channel-group 1
    encaps-type frame-relay
    timeslots 1
    frame-relay
    exit
    no shutdown
  exit
  channel-group 2
  shutdown
  timeslots 2-10
  exit
  no shutdown
exit
ds1 ds1-2
  channel-group 1
  shutdown
  timeslots 1
  exit
  channel-group 2
  timeslots 2
  no shutdown
  exit
  no shutdown
  exit
exit
no shutdown
-----
A:ALA-A>config>port#
```


Services can be applied to the configured channelized ports. The following example shows the CLI usage to configure a customer IES service with interface SAPs on the channelized ports. Refer to the 7750 SR OS Services Guide for information to configure services.

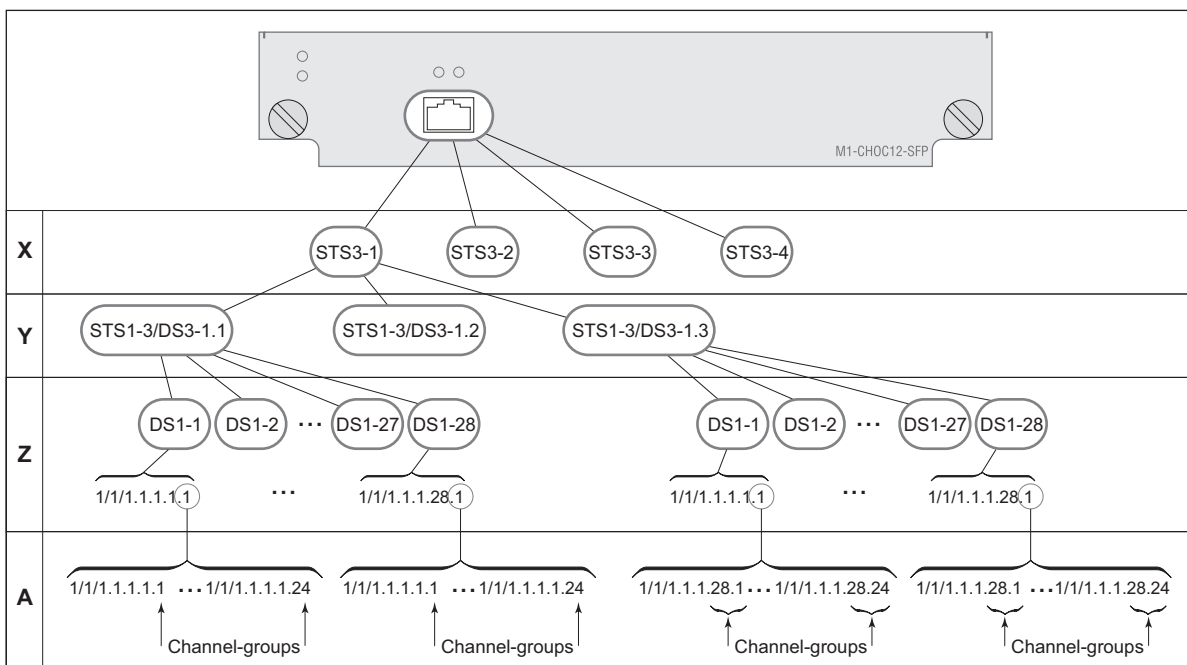
```
A:ALA-A>config>service# ies 103 customer 1 create
A:ALA-A>config>service>ies$ interface test1 create
A:ALA-A>config>service>ies>if$ address 102.21.1.1/24
A:ALA-A>config>service>ies>if# sap 7/1/1.1.2 create
A:ALA-A>config>service>ies>if>sap$ exit
A:ALA-A>config>service>ies>if# no shutdown
A:ALA-A>config>service>ies>if# exit
A:ALA-A>config>service>ies# interface test2 create
A:ALA-A>config>service>ies>if$ address 102.22.1.1/24
A:ALA-A>config>service>ies>if$ sap 7/1/1.2.1 create
A:ALA-A>config>service>ies>if>sap$ exit
A:ALA-A>config>service>ies>if# no shutdown
A:ALA-A>config>service>ies>if# exit
A:ALA-A>config>service>ies>if#
```

The following output displays the channelized ports (7/1/1.1.1 and 7/1/1.1.2) applied to SAPs on the IES service configuration.

```
A:ALA-A>config>service>ies# info
-----
...
    ies 103 customer 1 vpn 103 create
        interface "test2" create
            address 102.22.1.1/24
            sap 7/1/1.2.1 create
            exit
        exit
        interface "test1" create
            address 102.21.1.1/24
            sap 7/1/1.1.2 create
            exit
        exit
        no shutdown
    exit
...
-----
A:ALA-A>config>service>ies#
```

Configuring a Channelized OC-12-SFP Port

Figure 36 depicts the logic of the channelized OC-12 port configuration.



MDA0022A

Figure 36: Channelized OC-12 Port Structure

The following describes an example to configure a channelized port on a 1-port channelized OC-12-SFP MDA:

```
ALA-A>config# port 5/2/1
```

At this level you must choose the tributary. When provisioning DS3 nodes on a channelized OC-12 MDA, you must provision the parent STS1-1 SONET path first.

```
A:ALA-A>config>port# sonet-sdh
A:ALA-A>config>port>sonet-sdh# path sts1-1.1
A:ALA-A>config>port>sonet-sdh>path# no shutdown
A:ALA-A>config>port>sonet-sdh>path# exit
```

The following displays the output:

```
A:ALA-A>config>port>sonet-sdh# info
-----
sonet-sdh
  path sts1-1.1
    no shutdown
  exit
```

```
exit
```

```
-----  
A:ALA-A>config>port>sonet-sdh#
```

In order to set the channelized mode on a port, the DS3 parameter must be in a shut down state. Clear channel uses out-of-band signaling, not in-band signaling, so the channel's entire bit rate is available. Channelized ports use in-band signalling and must be explicitly enabled.

```
A:ALA-A>config>port# tdm  
A:ALA-A>config>port>tdm# ds3 1.1  
A:ALA-A>config>port>tdm>ds3# shutdown  
A:ALA-A>config>port>tdm>ds3# channelized ds1  
A:ALA-A>config>port>tdm>ds3# no shutdown  
A:ALA-A>config>port>tdm>ds3# exit
```

The following displays the output:

```
A:ALA-A>config>port# info
```

```
-----  
sonet-sdh  
  path sts12  
    no shutdown  
  exit  
  path sts3-1  
    no shutdown  
  exit  
  path sts1-1.1  
    no shutdown  
  exit  
exit  
tdm  
  ds3 ds3-1.1  
    channelized  
    no shutdown  
  exit  
exit  
no shutdown  
-----
```

```
A:ALA-A>config>port#
```

In the TDM context, configure DS0 channel groups parameters. 24 timeslots can be configured per channel group.

```
A:ALA-A>config>port>tdm# dsl 1.1.1
A:ALA-A>config>port>tdm>dsl# no shutdown
A:ALA-A>config>port>tdm>dsl# channel-group 1
A:ALA-A>config>port>tdm>dsl>channel-group# timeslots 1
A:ALA-A>config>port>tdm>dsl>channel-group# no shutdown
A:ALA-A>config>port>tdm>dsl>channel-group# exit
A:ALA-A>config>port>tdm>dsl# no shutdown
A:ALA-A>config>port>tdm>dsl# channel-group 2
A:ALA-A>config>port>tdm>tdsl>channel-group# timeslots 2
A:ALA-A>config>port>tdm>dsl>channel-group# no shutdown
A:ALA-A>config>port>tdm>dsl>channel-group# exit
A:ALA-A>config>port>tdm>dsl# exit

A:ALA-A>config>port>tdm# info
-----
sonet-sdh
  path sts12
    no shutdown
  exit
  path sts3-1
    no shutdown
  exit
  path sts1-1.1
    no shutdown
  exit
exit
tdm
  ds3 ds3-1.1
    channelized
    no shutdown
  exit
  ds1 ds1-1.1.1
    channel-group 1          (see SAP 5/2/1.1.1.1.1 below)
    timeslots 1
    no shutdown
  exit
  channel-group 2          (see SAP 5/2/1.1.1.1.2 below)
    timeslots 2
    no shutdown
  exit
  no shutdown
  exit
exit
no shutdown
-----
A:ALA-A>config>port>tdm#
```

Services can be applied to the configured channelized ports. The following example shows the CLI usage to configure a customer IES service with interface SAPs on the channelized ports. Refer to the 7750 SR OS Services Guide for detailed information to configure services.

```
A:ALA-A>config>service# ies 104 customer 1 create
A:ALA-A>config>service>ies$ interface testA create
A:ALA-A>config>service>ies>if$ address 192.22.1.1/24
A:ALA-A>config>service>ies>if# sap 5/2/1.1.1.1.1 create
A:ALA-A>config>service>ies>if>sap$ exit
A:ALA-A>config>service>ies>if# no shutdown
A:ALA-A>config>service>ies>if# exit
A:ALA-A>config>service>ies# interface testB create
A:ALA-A>config>service>ies>if$ address 192.23.1.1/24
A:ALA-A>config>service>ies>if# sap 5/2/1.1.1.1.2 create
A:ALA-A>config>service>ies>if>sap$ exit
A:ALA-A>config>service>ies>if# no shutdown
A:ALA-A>config>service>ies>if# exit
A:ALA-A>config>service>ies# no shutdown
```

The following output displays the channelized ports 5/2/1.1.1.1 and 5/2/1.1.1.2) applied to SAPs on the IES service configuration.

```
A:ALA-A>config>service>ies# info
-----
      interface "testA" create
          address 192.22.1.1/24
          sap 5/2/1.1.1.1.1 create
          exit
      exit
      interface "testB" create
          address 192.23.1.1/24
          sap 5/2/1.1.1.1.2 create
          exit
      exit
      no shutdown
-----
A:ALA-A>config>service>ies#
```

Configuring a Channelized Any Service Any Port (ASAP) OC3-SFP Port

This section provides examples to configure PPP, FR, cHDLC, and ATM n*DS0 channels on a channelized port on channelized ASAP OC-3 SFP MDA in slot 1/1/1. The ASAP OC-12 SFP MDA also supports the SONET options.

```
ALA-A>config# port 1/1/1
```

At this level you must choose the tributary. When provisioning DS3 nodes on a channelized ASAP OC-3 MDA, you must provision the parent STS1-1 SONET path first.

```
A:ALA-A>config>port# sonet-sdh
A:ALA-A>config>port>sonet-sdh# framing sdh
A:ALA-A>config>port>sonet-sdh# path sts1-1
A:ALA-A>config>port>sonet-sdh>path# no shutdown
A:ALA-A>config>port>sonet-sdh>path# exit
A:ALA-A>config>port>sonet-sdh# info
-----
sonet-sdh
    framing sdh
    path sts1-1
        no shutdown
    exit
exit
-----
A:ALA-A>config>port>sonet-sdh#
```

In order to set the channelized mode on a port, the DS3 parameter must be in a shut down state. Clear channel uses out-of-band signaling, not in-band signaling, so the channel's entire bit rate is available. Channelized ports use in-band signalling and must be explicitly enabled.

```
A:ALA-A>config>port# tdm
A:ALA-A>config>port>tdm# ds3 1
A:ALA-A>config>port>tdm>ds3# shutdown
A:ALA-A>config>port>tdm>ds3# channelized e1
A:ALA-A>config>port>tdm>ds3# no shutdown
A:ALA-A>config>port>tdm>ds3# exit
A:ALA-A>config>port# info
-----
sonet-sdh
    path sts1-1
        no shutdown
    exit
exit
tdm
    ds3 1
        channelized e1
        no shutdown
    exit
exit
no shutdown
-----
A:ALA-A>config>port#
```

In the TDM E1 context, configure DS0 channel groups and their parameters. For a DS1 channel-group, up to 24 timeslots can be assigned (numbered 1— 24). For an E1 channel-group, up to 31 timeslots can be assigned (numbered 2 — 32). For ATM, all timeslots are auto-configured when a channel group gets created (there is no sub-E1 for ATM). ATM, Frame Relay and BCP-NUL encapsulation examples follow:

```
A:ALA-A>config>port>tdm# e1 1.1
A:ALA-A>config>port>tdm>e1# channel-group 1
A:ALA-A>config>port>tdm>e1>channel-group# timeslots 2
A:ALA-A>config>port>tdm>e1>channel-group# no shutdown
A:ALA-A>config>port>tdm>e1>channel-group#
A:ALA-A>config>port>tdm>e1# no shutdown
A:ALA-A>config>port>tdm>e1# channel-group 2
A:ALA-A>config>port>tdm>e1>channel-group# timeslots 3
A:ALA-A>config>port>tdm>e1>channel-group# encap-type frame-relay
A:ALA-A>config>port>tdm>e1>channel-group# no shutdown
A:ALA-A>config>port>tdm>e1>channel-group# exit
A:ALA-A>config>port>tdm>e1# channel-group 3
A:ALA-A>config>port>tdm>e1>channel-group# timeslots 11,12
A:ALA-A>config>port>tdm>e1>channel-group# encap-type cisco-hdlc
A:ALA-A>config>port>tdm>e1>channel-group# no shutdown
A:ALA-A>config>port>tdm>e1>channel-group# exit
A:ALA-A>config>port>tdm>e1# no shutdown
A:ALA-A>config>port>tdm>e1# exit
A:ALA-A>config>port>tdm# e1 1.2
A:ALA-A>config>port>tdm>e1# no shutdown
A:ALA-A>config>port>tdm>e1# channel-group 1
A:ALA-A>config>port>tdm>e1>channel-group# encap-type atm
A:ALA-A>config>port>tdm>e1>channel-group# no shutdown
A:ALA-A>config>port>tdm>e1>channel-group# exit
A:ALA-A>config>port>tdm>e1# no shutdown
A:ALA-A>config>port>tdm# info
-----
tdm
  ds3 1
    channelized e1
    no shutdown
  exit
  e1 1.1
    channel-group 1
      timeslots 2
      no shutdown
  exit
  channel-group 2
    encap-type frame-relay
    frame-relay
    exit
    timeslots 10
    no shutdown
  exit
  channel-group 3
    encap-type cisco-hdlc
    cisco-hdlc
    exit
    timeslots 11,12
    no shutdown
  exit
```

Configuring Ports

```
        no shutdown
    exit
e1 1.2
    channel-group 1
        encap-type atm
        atm
        exit
        no shutdown
    exit
    no shutdown
exit
no shutdown
-----
A:ALA-A>config>port>tdm#
```

Services can now be applied to the configured channelized ports. Follow examples of other channelized ports in this document.

Configuring Cisco HDLC on a Channelized Port

Use the following CLI syntax to configure cHDLC:

```

CLI Syntax: config# port port-id
                tdm
                  ds3 [sonet-sdh-index]
                    channelized {ds1|e1}
                    no shutdown
                  ds1
                    channel-group channel-group
                    cisco-hdlc
                    down-count down-count
                    keepalive time-interval
                    up-count up-count
                    encap-type {bcp-null|bcp-dot1q|ipcp|ppp-auto|frame-
                    relay|wan-mirror|cisco-hdlc}
                    timeslots timeslots
                    no shutdown

```

The following example displays SONET/SDH access mode configuration command usage:

```

Example:A:ALA-29>config>port>tdm# ds3
A:ALA-29>config>port>tdm>ds3# channelized ds1
A:ALA-29>config>port>tdm>ds3# no shutdown
A:ALA-29>config>port>tdm>ds3# exit
A:ALA-29>config>port>tdm# ds1 1
A:ALA-29>config>port>tdm>ds1# no shutdown
A:ALA-29>config>port>tdm>ds1# channel-group 1
A:ALA-29>config>port>tdm>ds1>channel-group# timeslots 1-20
A:ALA-29>config>port>tdm>ds1>channel-group# encap-type cisco-hdlc
A:ALA-29>config>port>tdm>ds1>channel-group# exit
A:ALA-29>config>port>tdm>ds1# channel-group 1
A:ALA-29>config>port>tdm>ds1>channel-group# no shutdown
A:ALA-29>config>port>tdm>ds1>channel-group# exit
A:ALA-29>config>port>tdm>ds1# exit
A:ALA-29>config>port>tdm#

```

The following example displays a configuration:

```
A:ALA-29>config>port# inf
-----
      tdm
        ds3
          channelized ds1
          no shutdown
        exit
      ds1 1
        channel-group 1
          encap-type cisco-hdlc
          timeslots 1-20
          cisco-hdlc
          exit
          no shutdown
        exit
      exit
    no shutdown
-----
A:ALA-29>config>port#
```

Configuring Channelized STM1/OC3 Parameters

The following example displays basic syntax to configure channelized STM1/OC3 parameters:

CLI Syntax:

```
config# port port-id
      sonet-sdh
        framing {sonet|sdh}
        group sonet-sdh-index payload {tu3|vt2|vt15}
        path [sonet-sdh-index]
          payload {sts3|tug3|ds3|e3}
          trace-string [trace-string]
        no shutdown
```

Example:

```
config# port 5/2/1
config>port# sonet-sdh
config>port>sonet-sdh# framing sdh
config>port>sonet-sdh# path sts3
config>port>sonet-sdh>path# trace-string "HO-path"
config>port>sonet-sdh>path# exit
config>port>sonet-sdh# group tug3-1 payload vt2
config>port>sonet-sdh# group tug3-3 payload vt2
config>port>sonet-sdh# path vt2-1.1.1
config>port>sonet-sdh>path# trace-string "LO-path 3.7.3"
config>port>sonet-sdh>path# no shutdown
config>port>sonet-sdh>path# exit
config>port>sonet-sdh# exit
config>port# tdm
config>port>tdm# e1 1.1.1
config>port>tdm>e1# channel-group 1
config>port>tdm>e1>channel-group# timeslots 2-32
config>port>tdm>e1>channel-group# no shutdown
config>port>tdm>e1>channel-group# exit
config>port>tdm>e1# exit
config>port>tdm# e1 3.7.3
config>port>tdm>e1# channel-group 2
config>port>tdm>e1>channel-group# timeslots 2-32
config>port>tdm>e1>channel-group# no shutdown
config>port>tdm>e1>channel-group# exit
```

The following displays the configuration output:

```
A:ALA-49>config>port# info
```

```
-----  
sonet-sdh  
  framing sdh  
  path sts3  
    trace-string "HO-path"  
    no shutdown  
  exit  
  group tug3-1 payload vt2  
  group tug3-3 payload vt2  
  path vt2-1.1.1  
    trace-string "LO-path 3.7.3"  
    no shutdown  
  exit  
  path vt2-3.7.3  
    no shutdown  
  exit  
exit  
tdm  
  e1 1.1.1  
    channel-group 1  
    timeslots 2-32  
    no shutdown  
    exit  
    no shutdown  
  exit  
  e1 3.7.3  
    channel-group 2  
    timeslots 2-32  
    no shutdown  
    exit  
    no shutdown  
  exit  
exit  
no shutdown  
-----
```

```
A:ALA-49>config>port#
```

Configuring Cpipe Port Parameters

Before a Cpipe service can be provisioned, the following entities must be configured.

- [Configuring a DS1 Port on page 205](#)
- [Configuring a Channel Group on page 205](#)

Configuring a DS1 Port

The following displays an example of a DS1 port configured for CES.

```
A:sim216# show port 1/5/1.1.3.1
=====
TDM DS1 Interface
=====
Description          : DS1
Interface            : 1/5/1.1.3,1
Type                 : dsl
Admin Status         : up
Physical Link        : yes
Signal Mode          : none
Last State Change    : 10/31/2006 14:23:12
Loopback             : none
Remote Loop respond  : false
Load-balance-algo    : default
BERT Duration        : N/A
BERT Synched         : 00h00m00s
BERT Errors          : 0
BERT Total Bits      : 0
Cfg Alarm            : ais los
Alarm Status         :
=====
A:sim216#
```

Configuring a Channel Group

The following displays an example of a DS1 channel group configured for CES.

```
A:sim216# show port 1/5/1.1.3.1
=====
TDM DS0 Chan Group
=====
Description          : DS0GRP
Interface            : 1/5/1.1.3.1
TimeSlots           : 1-12
Speed               : 64
Admin Status         : up
Last State Change    : 10/31/2006 14:23:12
Configured mode      : access
Admin MTU            : 4112
Physical Link        : Yes
CRC                  : 16
Oper Status          : up
Chan-Grp IfIndex     : 580943940
Encap Type           : cem
Oper MTU             : 4112
Bundle Number        : none
```

Configuring Ports

```
Idle Cycle Flags      : flags                Load-balance-algo    : default
Egr. Sched. Pol      : n/a
=====
A:sim216#
```

Configuring ATM SAPs

ATM SAP in an IES Service

The following displays an IES service SAP configuration:

```
:ALA-701>config>service>ies# info
-----
      interface "atm_1" create
          address 2.3.4.1/24
          sap 2/1/1:17/24 create
          exit
      exit
      interface "atm_2" create
          address 2.4.5.1/24
          sap 2/1/1:18/300 create
          exit
      exit
      no shutdown
-----
B:ALA-701>config>service>ies#
```

ATM SAP in an Epipe Service

The following displays an Epipe service SAP configuration:

```
B:ALA-701>config>service# info
-----
...
      epipe 5 customer 1 create
          shutdown
          sap 2/1/2:15/25 create
          exit
          sap 2/1/3:25/35 create
          exit
      exit
-----
B:ALA-701>config>service#
```

Configuring DWDM Port Parameters

The following example displays a DWDM port configuration:

```
*A:ALA-A>config>port>dwdm># info
-----
channel 44
wavetracker
  power-control
    target-power -7.50
  exit
  encode key1 205 key2 749
  exit
-----

*A:ALA-A>config>port>dwdm># info detail
-----
channel 44
wavetracker
  power-control
    target-power -7.50
  exit
  encode key1 205 key2 749
  report-alarm enc-fail enc-degr pwr-fail pwr-degr pwr-high pwr-low
  exit
  rxdtv-adjust
-----

*A:ALA-A>config>port>dwdm># wavetracker

*A:ALA-A>config>port>dwdm>wavetracker># info
-----
  power-control
    target-power -7.50
  exit
  encode key1 205 key2 749
-----

*A:ALA-A>config>port>dwdm>wavetracker># info detail
-----
  power-control
    target-power -7.50
  exit
  encode key1 205 key2 749
  report-alarm enc-fail enc-degr pwr-fail pwr-degr pwr-high pwr-low
-----

*A:ALA-A>config>port>dwdm># info detail
-----
channel 44
wavetracker
power-control
target-power -7.50
exit
encode key1 205 key2 749
report-alarm enc-fail enc-degr pwr-fail pwr-degr pwr-high pwr-low
exit
tdcm
```



```
channel 0
mode automatic
dispersion 0
sweep start -1200 end 1200
report-alarm nrdy mth mtl unlck tlim einv com
exit
amplifier
report-alarm ild tmp mth mtl los lop com
exit
rxdtv-adjust
-----
```

Configuring WaveTracker Parameters



NOTE: The WaveTracker feature is not supported on the 7750 SR-1.

The following example displays the default configuration with WaveTracker disabled:

```
*A:ALA-A>config>port>dwdm># info
-----
channel 44
-----

*A:ALA-A>config>port>dwdm># info detail
-----
channel 44
wavetracker
  no power-control
  no encode
  report-alarm enc-fail enc-degr pwr-fail pwr-degr pwr-high pwr-low
exit
rxdtv-adjust
-----
```

The following example displays a configuration with DWDM channel 44, WaveTracker power control transmit power at -7.5 dBm and WaveTracker encoded keys 205 and 749

```
*A:ALA-A>config>port>dwdm># info
-----
channel 44
wavetracker
  power-control
    target-power -7.50
  exit
  encode key1 205 key2 749
exit
-----

*A:ALA-A>config>port>dwdm># info detail
-----
channel 44
wavetracker
  power-control
    target-power -7.50
  exit
  encode key1 205 key2 749
  report-alarm enc-fail enc-degr pwr-fail pwr-degr pwr-high pwr-low
exit
rxdtv-adjust
-----

*A:ALA-A>config>port>dwdm># wavetracker

*A:ALA-A>config>port>dwdm>wavetracker># info
```

```

-----
power-control
  target-power -7.50
exit
encode key1 205 key2 749
-----

*A:ALA-A>config>port>dwdm>wavetracker># info detail
-----
power-control
  target-power -7.50
exit
encode key1 205 key2 749
report-alarm enc-fail enc-degr pwr-fail pwr-degr pwr-high pwr-low
-----

```

Following is an example of the show port <portId> wavetracker command for the non-default WaveTracker configuration above:

```

*A:ALA-A# show port 3/2/1 wavetracker

=====
Wavelength Tracker
=====
Power Control      : Enabled                WaveKey Status    : Enabled
Target Power      : -7.50 dBm                WaveKey 1         : 205
Measured Power    : -7.49 dBm                WaveKey 2         : 749

Cfg Alarms        : enc-fail enc-degr pwr-fail pwr-degr pwr-high pwr-low
Alarm Status      :

Maximum Power     : 0.47 dBm                    Power Upper Margin : 7.96 dB
Minimum Power     : -21.23 dBm                 Power Lower Margin : 13.74 dB
=====

```

Following are the Wavetracker keys allowed for each DWDM channel:

ITU Channel	Key1 Min	Key1 Max	Key2 Min	Key2 Max
61	1548	1548	2032	2032
59	1	15	545	559
58	18	32	562	576
57	35	49	579	593
56	52	66	596	610
54	69	83	613	627
53	86	100	630	644
52	103	117	647	661
51	120	134	664	678
49	137	151	681	698
48	154	168	698	712
47	171	185	715	729
46	188	202	732	746
44	205	219	749	763
43	222	236	766	780
42	239	253	783	797
41	256	270	800	814

Configuring Ports

39	273	287	817	831
38	290	304	834	848
37	307	321	851	865
36	324	338	868	882
34	341	355	885	899
33	358	372	902	916
32	375	389	919	933
31	392	406	936	950
29	409	423	953	967
28	426	440	970	984
27	443	457	987	1001
26	460	474	1004	1018
24	477	491	1021	1035
23	494	508	1038	1052
22	511	525	1055	1069
21	528	542	1072	1086
60	1089	1103	1573	1587
55	1106	1120	1590	1604
50	1123	1137	1607	1621
45	1140	1154	1624	1638
40	1157	1171	1641	1655
35	1174	1188	1658	1672
30	1191	1205	1675	1689
25	1208	1222	1692	1706
20	1225	1239	1709	1723
19	1242	1256	1726	1740
18	1259	1273	1743	1757
17	1276	1290	1760	1774
595	1293	1307	1777	1791
585	1310	1324	1794	1808
575	1327	1341	1811	1825
565	1344	1358	1828	1842
545	1361	1375	1845	1859
535	1378	1392	1862	1876
525	1395	1409	1879	1893
515	1412	1426	1896	1910
495	1429	1443	1913	1927
485	1446	1460	1930	1944
475	1463	1477	1947	1961
465	1480	1494	1964	1978
445	1497	1511	1981	1995
435	1514	1528	1998	2012
425	1531	1545	2015	2029
415	1548	1562	2032	2046
395	3585	3599	2049	2063
385	3602	3616	2066	2080
375	3619	3633	2083	2097
365	3636	3650	2100	2114
345	3653	3667	2117	2131
335	3670	3684	2134	2148
325	3687	3701	2151	2165
315	3704	3718	2168	2182
295	3721	3735	2185	2199
285	3738	3752	2202	2216
275	3755	3769	2219	2233
265	3772	3786	2236	2250
245	3789	3803	2253	2267
235	3806	3820	2270	2284
225	3823	3837	2287	2301

215	3840	3854	2304	2318
605	3857	3871	2321	2335
555	3874	3888	2338	2352
505	3891	3905	2355	2369
455	3908	3922	2372	2386
405	3434	3448	3946	3960
355	3451	3465	3963	3977
305	3468	3482	3980	3994
255	3485	3499	3997	4011
205	3502	3516	4014	4028
195	3519	3533	4031	4045
185	3536	3550	4048	4062
175	3553	3567	4065	4079

Configuring OTU Port Parameters

The following example displays an OTU port configuration:

```
*A:ALA-A>config>port>otu# info detail
-----
      otu2-lan-data-rate 11.049
      sf-sd-method fec
      sf-threshold 5
      sd-threshold 7
      fec enhanced
      no report-alarm otu-ais otu-ber-sd otu-tim otu-iae otu-biae fec-sd
      no report-alarm fec-fail fec-uncorr odu-ais odu-oci odu-lck odu-bdi
      no report-alarm odu-tim opu-tim opu-plm
      report-alarm loc los lof lom otu-ber-sf otu-bdi fec-sf
      sm-tti
          tx auto-generated
          expected auto-generated
          no mismatch-reaction
      exit
      pm-tti
          tx auto-generated
          expected auto-generated
          no mismatch-reaction
      exit
      psi-tti
          tx auto-generated
          expected auto-generated
          no mismatch-reaction
      exit
      psi-payload
          tx auto
          expected auto
          no mismatch-reaction
      exit
-----
```

The following example displays the show port <portId> otu detail for the default OTU configuration above:

```
*A:ALA-A# show port 3/2/1 otu detail
=====
OTU Interface
=====
OTU Status      : Enabled          FEC Mode       : enhanced
Async Mapping   : Disabled          Data Rate      : 11.049 Gb/s

Cfg Alarms      : loc los lof lom otu-ber-sf otu-bdi fec-sf
Alarm Status    :
SF/SD Method    : FEC                SF Threshold   : 1E-5
                                     SD Threshold   : 1E-7

SM-TTI Tx (auto) : ALA-A:3/2/1/C44
SM-TTI Ex (bytes) : (Not Specified)
SM-TTI Rx        : ALA-A:5/2/1/C34
```

```

OTU-TIM reaction      : none

PM-TTI Tx (auto)    : ALA-A:3/2/1/C44
PM-TTI Ex (bytes)   : (Not Specified)
PM-TTI Rx           : ALA-A:5/2/1/C34
ODU-TIM reaction    : none

PSI-TTI Tx (auto)   : ALA-A:3/2/1/C44
PSI-TTI Ex (bytes)  : (Not Specified)
PSI-TTI Rx          : ALA-A:5/2/1/C34
OPU-TIM reaction    : none

PSI-PT Tx (auto)    : 0x03 (syncCbr)
PSI-PT Ex (auto)    : 0x03 (syncCbr)
PSI-PT Rx           : 0x03 (syncCbr)
OPU-PLM reaction    : none
    
```

```

=====
OTU Statistics
=====
Elapsed Seconds                      10
-----
Near End Statistics                  Count
-----
FEC Corrected 0s                    0
FEC Corrected 1s                    0
FEC Unrrrectable Sub-rows           0
FEC ES                              0
FEC SES                             0
FEC UAS                             0
Pre-FEC BER                         0.000E+00
Post-FEC BER                        0.000E+00
-----
SM BIP8                             0
SM ES                               0
SM SES                              0
SM UAS                              0
SM-BIP8-BER                        0.000E+00
-----
PM BIP8                             0
PM ES                               0
PM SES                              0
PM UAS                              0
PM-BIP8-BER                        0.000E+00
-----
NPJ                                  0
PPJ                                  0
-----
Far End Statistics                  Count
-----
SM BEI                              0
PM BEI                              0
=====
    
```

The window over which the Bit Error Rate (BER) determined is based on the configured threshold level. The higher the error rate the shorter the window and as the error rate decreases the window increases.

Table 31:

Configured BER Threshold	Window Length
10^{-3}	8ms
10^{-4}	8ms
10^{-5}	8ms
10^{-6}	13ms
10^{-7}	100ms
10^{-8}	333ms
10^{-9}	1.66s

Configuring ATM Interface Parameters

ATM interface parameters can only be configured for SONET/SDH ports/paths and TDM ports/channels supporting ATM encapsulation, and for IMA multilink bundles.

ATM interface parameters allow users to configure characteristics of an ATM interface. The 7750 SR product family supports configuration of the following ATM interface characteristics:

- Cell-format — Allows user to select the ATM cell format to be used on a given interface: UNI/NNI
- ILMI — Allows user to enable/disable ILMI protocol
- Traffic-desc — Allows user to configure ILMI PVCC TM characteristics over a given ATM interface ingress and egress direction characteristics can be configured separately)
- Mapping — Allows user to select ATM cell mapping into an HDLC frame: Direct/PLCP

PLCP/Direct Mapping

Setting mapping to PLCP changes the effective speed of a DS3 interface to 40.704 M. When a port operates in a PLCP mode, the OCD events and LCD are not applicable (including related status fields and counters).

Similarly the below-defined PLCP statuses, alarms, counters do not apply for direct mapped ports.

When a path operates in the PLCP mode, 7750 SR supports the standard ATM MIB monitoring of the PLCP operations, for example:

- PLCP severely errored framing seconds
- PLCP alarm state
- PLCP unavailable seconds counter

[Table 32](#) illustrates how SONET alarm status, path operational status, ATM interface and PLCP status and PLCP Alarm state interact:

Table 32: Alarm State Interactions

Content of the Received Signal						Status Field Values			
Local Signal	Local Frame	Local Payld	Local PLCP Framing	Far End Framing	Far End PLCP Framing	Path Sonet Alarm Status	Path Oper Status	Atm Interface Oper Status	PLCP Alarm State
Y	Y	Y	Y	Y	Y	None	Up	Up	No Alarm
Y	Y	Y	Y	Y	Prob	None	Up	Lower Layer Down	Far End Alarm Rx
Y	Y	Y	Y	Prob	Prob	RDI	Down	Lower Layer Down	Far End Alarm Rx
Y	Y	Y	Prob	Y	N/A	None	Up	Lower Layer Down	Incoming LOF
Y	Y	Y	Prob	Prob	N/A	RDI	Down	Lower Layer Down	Incoming LOF
Y	Prob	N/A	N/A	N/A	N/A	LOF	Down	Lower Layer Down	Incoming LOF
AIS	N/A	N/A	N/A	N/A	N/A	AIS	Down	Lower Layer Down	Incoming LOF
Prob	N/A	N/A	N/A	N/A	N/A	LOS	Down	Lower Layer Down	Incoming LOF

DS3 path configured for PLCP mapping:

- Supports transmit and receive of the Ax, Px and C1 bits.
- Ignores the received Z1, Z2, Z3 octets of the PLCP frame and transmits all zeros in the Z1, Z2, Z3 octets of the PLCP frame.
- Ignores the received F1 octet of the PLCP frame, and transmits all zeros in the F1 octet of the PLCP frame.
- Samples and uses for performance monitoring received FEBE bits of G1 octet and transmits the number of BIP-8 errors detected by the receive framer using the FEBE bits of the G1 octet. Detects a PLCP Far End Alarm when 10 consecutive PLCP frames are received with the RAI bit set, and transmits a set RAI bit when the local port has declared

PLCP-LOF. When the local port declares PLCP-LOF is cleared, the outgoing RAI bit is cleared.

- Ignores the received X bits of the G1 octet, and transmits all zeros in the X bits of the G1 octet of the PLCP frame.
- Ignores the received M1 and M2 octets and transmits all zeros in the M1 and M2 octets of the PLCP frame.

ATM Interface Configurations

Use the following CLI syntax to configure ATM interface parameters for SONET/SDH paths:

```
CLI Syntax: config# port port-id
                sonet-sdh
                  path [sonet-sdh-index]
                    atm
                      cell-format cell-format
                      ilmi [vpi/vci]
                        egress
                          traffic-desc traffic-desc-profile-id
                        ingress
                          traffic-desc traffic-desc-profile-id
                      keep-alive [poll-frequency seconds] [poll-
                        count value] [test-frequency seconds]
                      protocol protocol-type
                      [no] shutdown
                      min-vp-vpi value
```

Use the following CLI syntax to configure ATM interface parameters for IMA bundles.

```
CLI Syntax: config>port>multilink-bundle
                ima
                  atm
                    cell-format cell-format
                    min-vp-vpi value
```

Use the following CLI syntax to configure ATM interface parameters for TDM channels:

```
CLI Syntax: config# port {port-id}
                tdm
                  ds1 [ds1-id]
                    channel-group 1
                      atm
                        cell-format cell-format
                        min-vp-vpi value
                  ds3 [sonet-sdh-index]
                    atm
                      cell-format cell-format
                      min-vp-vpi value
                      mapping {direct | plcp}
                  e1 [e1-id]
```

```
channel-group 1
  atm
    cell-format cell-format
    min-vp-vpi value
e3 [sonet-sdh-index]
  atm
    cell-format cell-format
    min-vp-vpi value
```

Configuring Frame Relay Parameters

Frame Relay pipes are used to provide customer-to-customer Frame Relay PVCs or to interconnect individual Frame Relay clouds.

Frame Relay parameters can only be configured in SONET/SDH and channelized TDM MDA contexts.

The following example displays a channelized interface configuration:

```
A:ALA-7>config>port# info detail
-----
description "DS3/E3"
...
tdm
  buildout long
  ds3 ds3
    type t3
    channelized
    clock-source loop-timed
    framing c-bit
    no feac-loop-respond
    no mdl
    no mdl-transmit
    no loopback
    report-alarm ais los
    no report-alarm oof rai looped
    no shutdown
  exit
  ds1 ds1-1
    shutdown
    framing esf
    no loopback
    report-alarm ais los
    no report-alarm oof rai looped
    channel-group 1
      description "DS3/E3"
      mode access
      encap-type frame-relay
      no mtu
      no mac
      timeslots 1
      speed 64
      crc 16
      frame-relay
        lmi-type itu
        mode dte
        n393dce 4
        n393dte 4
        n391dte 6
        n392dce 3
        n392dte 3
        t391dte 10
        t392dce 15
    exit
```

```
no shutdown
exit
exit
exit
no shutdown
-----
A:ALA-7>config>port#
```

SONET/SDH Interfaces

This section applies also to FR interfaces on Sonet/SDH high-speed channels on ASAP MDAs. In order to configure Frame Relay on the associated port/channel, the `frame-relay` encapsulation type must be specified.

The following output displays a Frame Relay encapsulation type and the Frame Relay defaults.

```
A:ALA-7>config>port# info detail
-----
description "OC-3/OC-12 SONET/SDH"
access
  ingress
    pool default
    resv-cbs default
    slope-policy "default"
  exit
exit
egress
  pool default
  resv-cbs sum
  slope-policy "default"
exit
exit
network
  egress
    pool default
    resv-cbs default
    slope-policy "default"
  exit
exit
sonet-sdh
  framing sonet
  clock-source node-timed
  no loopback
  speed ocl2
  report-alarm loc lrld lb2er-sf slof slo
  no report-alarm lais ss1f lb2er-sd lrei
  threshold ber-sd rate 6
  threshold ber-sf rate 3
  section-trace byte 0x1
  path
    description "OC-3/OC-12 SONET/SDH"
    mode access
    encaps-type frame-relay
    no mtu
    no mac
    crc 32
    no scramble
    trace-string "Alcatel 7750 ALA-"
    report-alarm plop pplm puneq
    no report-alarm pais prdi prei
    signal-label 0xcf
```



```
frame-relay
  lmi-type itu
  mode dte
  n393dce 4
  n393dte 4
  n391dte 6
  n392dce 3
  n392dte 3
  t391dte 10
  t392dce 15
  exit
  no shutdown
  exit
exit
no shutdown
-----
A:ALA-7>config>port# pwc
```

Configuring Multilink PPP Bundles

Multilink bundles can have from 1 to 8 members (ports) specified. The bundles aggregate channelized ports which define available bandwidth to carry data over a DS1 channel. 56 multilink bundles can be configured per MDA. 256 MLPPP groups are supported per ASAP MDA. Each bundle represents a single connection between two routers.

Multilink bundling is based on a link control protocol (LCP) option negotiation that permits a system to indicate to its peer that it is capable of combining multiple physical links into a bundle.

Multilink bundling operations are modeled after a virtual PPP link-layer entity where packets received over different physical link-layer entities are identified as belonging to a separate PPP network protocol (the Multilink Protocol, or MP) and recombined and sequenced according to information present in a multilink fragmentation header. All packets received over links identified as belonging to the multilink arrangement are presented to the same network-layer protocol processing machine, whether they have multilink headers or not.

When you configure multilink bundles, consider the following guidelines:

- Multilink bundle configuration should include at least two ports.
- A maximum of 8 ports can be included in a multilink bundle.
- Multilink bundles can only be aggregated on a single MDA.

```
A:ALA-A>config# port bundle-5/2.1
A:ALA-A>config>port# multilink-bundle
A:ALA-A>config>port>ml-bundle# member 5/2/1.ds0grp-1.1
A:ALA-A>config>port>ml-bundle# member 5/2/1.ds0grp-2.2
A:ALA-A>config>port>ml-bundle# member 5/2/1.ds0grp-1.1
```

Configuring Multilink ATM Inverse Multiplexing (IMA) Bundles

IMA bundles are supported on Channelized ASAP MDAs. The bundles aggregate E1 or DS1 ATM channels into a single logical ATM interface.

IMA Bundles

Use the following CLI syntax to configure IMA bundle parameters:

```
CLI Syntax: configure# port bundle-type-slot/mda.bundle-num
description description-string
multilink-bundle
    fragment-threshold value
ima
    atm
        cell-format {uni|nni}
        min-vp-vpi vp-vpi-value
    exit
    link-delay {activate |deactivate} milli-seconds
    max-bandwidth number-links
    version ima-version
red-differential-delay red-diff-delay down
member port-id
```

Configuration notes:

An IMA group has common interface characteristics (for example, configuration that applies to a logical ATM interface either configured via the IMA group context or taken from the primary link) The following list details those common IMA group interface characteristics:

- Encapsulation type (ATM)
- ATM interface characteristics (under the ATM menu context)
- Interface mode type (only access is supported)
- MTU value (derived from the primary link)

Member links inherit those common characteristics from the IMA group that they are part of and as long as they are part of an IMA group. Characteristics derived from the primary link (MTU, interface mode type) can be changed on the primary link only and not on other links in the bundle or a bundle itself. The primary link is the member which has the lowest ifindex. When a member is added/deleted the primary member may be changed based on ifIndices of all member links.

Once a path becomes part of an IMA group logical link, the path ceases to exist as a physical ATM path interface. This means that:

1. ATM interface bundle characteristics enforced over the link. Note that when a link is removed from an IMA bundle, the link's ATM characteristics are reset to ATM interface defaults.
2. No services can be configured on the member link itself.

After the primary member has been added each additional member added to the group will only be accepted if it matches the configuration of the IMA group. ATM interface characteristics are not part of this verification as they are overwritten/reset to defaults when a link is added to/removed from an IMA bundle.

Upon addition to an IMA group, each added member gets automatically assigned an IMA link Id. IMA link Ids are in range from 0 to 7 and stay constant as long as the router does not reboot.

When configuring IMA bundles, consider the following guidelines:

- IMA bundles should contain at least two members.
- A maximum of eight members can be included in an IMA bundle.
- IMA links can only be aggregated into a bundle within a single MDA.
- IMA group maximum bandwidth and minimum link settings allows, by default, for oversubscription of shaped services; however when that occurs scheduling of traffic over an IMA group ATM interface degrades to round-robin between shaped services, therefore to preserve full ATM TM even during a member link failure, it is recommended that maximum bandwidth is set to minimum links.
- When configuring the red differential delay for IMA groups on ASAP MDAs, the value configured is converted into acceptable frame sequence number delay on a link since delay is granular to IMA frame sequence number difference. For E1 channels (receiving frame time 27ms), configured values map to the enforced values as follows: 0 ms maps to 0 frame sequence number difference (27ms delay), 1-27 ms maps to 1 frame sequence number difference (54 ms delay), 28 - 50 ms maps to 2 frame sequence number difference (81 ms delay). Similarly, for DS1 channels (receiving frame time 35 ms), configured values map to enforced values as follows: 0 ms maps to 0 frame sequence number difference (35 ms delay), 1-35 ms maps to 1 frame sequence number difference (70 ms delay), 36 - 50 ms maps to 2 frame sequence number difference (105 ms delay).
- When a channel is deleted from an IMA group it is recommended that a deletion takes place at the far end first when the far end supports graceful deletion to ensure no cell loss takes place on the 7750 RX end of the channel. When a channel is deleted on the 7750 end first, a small data loss will take place on the 7750 RX side (depending on the time required for the far end to deactivate its TX on the link being deleted).
- When no member links are configured on an IMA group, the speed of an E1 channel will be used to compute the maximum IMA group bandwidth that may be allocated to shaped services.

- The shutdown command for IMA groups sets the IMA group state to “Blocking”. This makes the group operationally down but will not bring down the individual IMA links. Services configured on the IMA group will go operationally down as well.
- The 7750 supports automatic IMA version changing when the far end IMA group version matches the configured version. The group will remain operationally down until one of the IMA groups changes version.
- When adding member links to an IMA group, the clock-source of the e1 or ds1 link must be set to node-timed.

The following example illustrates creation of an IMA bundle with 3 group members residing on a channelized OC-3 ASAP MDA in slot 5/2/1:

```
A:ALA-A>config# port bundle-ima-5/2.1
A:ALA-A>config>port# multilink-bundle
A:ALA-A>config>port>ml-bundle# member 5/2/1.1.1.1
A:ALA-A>config>port>ml-bundle# member 5/2/1.1.2.1
A:ALA-A>config>port>ml-bundle# member 5/2/1.1.3.1
```

Multi-Class MLPPP

The following guidelines apply to multi-class MLPPP:

- MC-MLPPP must be configured before links are added to a bundle.
- MC-MLPPP and LFI (**config>port>multilink-bundle>interleave-fragments**) are mutually exclusive.
- MC-MLPPP is not supported when port is configured as **network** mode.
- MC-MLPPP can be enabled on every MLPPP bundle and bundle protection group.
- MC-MLPPP is supported only on ASAP MDAs (for example, m4-choc3-as-sfp, m1-choc12-as-sfp, m4-chds3-as, m12-chds3-as).
- Short and long sequence packet formats are supported (both ends must be of the same type) with static mapping of forwarding classes to MC-MLPPP class (based on the number of classes negotiated with the far end).
- Single fragment size for all classes is supported.
- Prefix elision is not supported. The prefix elision (compressing common header bytes) option advises the peer that, in each of the given classes, the implementation expects to receive only packets with a certain prefix; this prefix is not to be sent as part of the information in the fragment(s) of this class.
- Fractional DS1/E1 MLPPP links are supported. This is applicable to MLPPP bundles on ASAP MDAs. Fractional E1 and Fractional DS1 links cannot be combined in the same bundle.

IMA Test Procedure

Use the following CLI to perform IMA Test Pattern Procedure on a member link of an IMA group:

```

CLI Syntax: configure# port bundle-type-slot/mda.bundle-num
                multilink-bundle
                ima
                test-pattern-procedure
                test-link port-id
                test-pattern [pattern]
                no shutdown
  
```

An operator can deploy IMA test procedures to verify operations of IMA group and its member links. Following is a list of key points about the test pattern procedure.

1. The test procedure is performed as defined by the IMA specification version 1.1, i.e. a test pattern is sent over the specified link and is expected to be looped back over all the links in the group. ICP cells are used to perform the test.
2. The test procedure is not traffic affecting, for example, data traffic will not be affected by the ongoing test.
3. There can only be a single test executed per an IMA group at any given time
4. The IMA member link must exist in the specified group for the command to be accepted.
5. The test-pattern-procedure must be shutdown before a new test-link value or test pattern is accepted.
6. The current IMA group test pattern configuration and result of a given IMA test can be seen by executing a show command for the IMA group. A test-link result can have three values:
 - a. Disabled: The test-link is currently not running.
 - b. Operating: The test pattern procedure is **no shutdown** and there are currently no failed-links for this running test-pattern-procedure.
 - c. Link-Failed: One or more links have failed the test-pattern-procedure. Execute a **show port <slot/mda/port.sonet-sdh-index> ima-link** command to see the failed link and received pattern value.
7. Deleting a member link that is the same as the specified test-link, to stay in compliance with key point 4, will result in the test-link value being reset to default.
8. IMA test procedure configurations are not saved when the admin save command is executed.

Configuring Bundle Protection Group Ports

Bundle Protection groups enable APS protection of one bundle residing on a working circuit of an APS group port by another bundle residing on the protection circuit of that APS group port. Bundle protection groups apply to MLPPP as well, and are configured the same way. The following examples show the process to configure BPGp on ASAP MDAs to provide an APS protection for an IMA/MLPPP bundle.

First, two ASAP MDAs must be configured.

Example:

```

config# card 3
config>card# mda 2
config>card>mda# mda-type m4-choc3-as-sfp
config>card>mda# no shutdown
config>card>mda# exit
config>card# exit
config# card 10
config>card# mda 2
config>card>mda# mda-type m4-choc3-as-sfp
config>card>mda# no shutdown
config>card>mda# exit

```

Configure an APS group with working and protection circuits on the ASAP MDAs.

Example:

```

config# port aps-1
config>port# aps
config>port>aps# working-circuit 3/2/1
config>port>aps# protect-circuit 10/2/1
config>port>aps# exit
config>port# no shutdown

```

Create eight ATM DS1 channels on the APS group.

Example:

```

config>port>aps#
config>port# sonet-sdh
config>port>sonet-sdh# path sts1-1
config>port>sonet-sdh>path# no shutdown
config>port>sonet-sdh>path# exit
config>port>sonet-sdh# exit
config>port# tdm
config>port>tdm#
config>port>tdm# ds3 1
config>port>tdm>ds3# channelized ds1
config>port>tdm>ds3# no shutdown
config>port>tdm>ds3# exit
config>port>tdm# ds1 1.1
config>port>tdm>ds1# channel-group 1
config>port>tdm>ds1>channel-group# encap-type atm

```



```

config>port>tdm>dsl>channel-group# no shutdown
config>port>tdm>dsl>channel-group# exit
config>port>tdm# ds1 1.8
config>port>tdm>dsl# channel-group 1
config>port>tdm>dsl>channel-group# encap-type atm
config>port>tdm>dsl>channel-group# no shutdown
config>port>tdm>dsl>channel-group# exit

```

Next, configure an IMA-type/MLPPP-type BPGrp with working and protection bundles on working and protection circuits of aps-1 and members the created DS1s (this creates 2 IMA bundles, one on working and one on protection circuit):

Example:

```

config# port bpgrp-ima-1
config>port# multilink-bundle
config>port>multilink-bundle# working-bundle bundle-ima-1/1.1
config>port>multilink-bundle# protect-bundle bundle-ima-2/1.1
config>port>multilink-bundle# member aps-1.1.1.1
config>port>multilink-bundle# member aps-1.1.2.1
config>port>multilink-bundle# member aps-1.1.3.1
config>port>multilink-bundle# member aps-1.1.4.1
config>port>multilink-bundle# member aps-1.1.5.1
config>port>multilink-bundle# member aps-1.1.6.1
config>port>multilink-bundle# member aps-1.1.7.1
config>port>multilink-bundle# member aps-1.1.8.1
config>port>multilink-bundle# exit
config>port>multilink-bundle# no shutdown
config>port>multilink-bundle# exit
config>port# no shutdown

```

Finally, a service can be configured on this bundle using the BPGrp ID (for example, an ATM VC 0/32 SAP would be: `sap bpgrp-ima-1:0/32`).

Configuration Notes and Guidelines:

- Any configuration on a BPGrp applies to both the working and protection bundle.
- Working and protection bundles can be shutdown individually.
- Services cannot be configured on a BPGrp until at least one member link has been configured.
- The published switchover times for bundle protection groups on the router are dependent on the far end being able to recover from cell loss within that time. To ensure this, the following recommendations are given:
 - The BPGrp link activation timer should be configured to a value small enough to allow a quick recovery from any IMA failure occurring during the switchover. A recommended value is 1 second.

- The ADM that terminates APS should support standard APS switchover time requirements.
- The far end IMA/MLPPP links must be able to tolerate cell loss during APS switchover without bringing links down. This includes, for example, a combination of link activation/deactivation and appropriate configuration of TDM/SONET debounce timers.
- Because of the temporary cell loss during the APS switchover, the far end IMA/MLPPP will experience a misalignment between individual links within an IMA/MLPPP group. The far end IMA/MLPPP group must support fast-realignment of links without having to bring the links down. The router synchronizes the IMA/MLPPP streams the far end receives between switchovers in an effort to cause the least amount of misalignment.
- To increase the BPGrp robustness, it is recommended to provision more IMA/MLPPP links than is required and set the minimum links and max bandwidth parameters to the number of required links. This type of configuration is required on the far end as well.

Configuring a Channelized DS1 Card

7750 SR-c12 and 7750 SR-c4 support channelized DS-1 cards. The channelization is as follows:

- N*DS0 in DS1 port.{1..24}
- N*DS0 in E1 port.{1..32}

To make sure you have a channel-capable MDA or CMA, verify the MDA-type you are configuring by entering a **show mda slot-id** command.

In the following example, MDA 7 shows a channelized DS1 CMA.

```
A:7710-3>config# show mda
=====
MDA Summary
=====
```

Slot	Mda	Provisioned Mda-type	Equipped Mda-type	Admin State	Operational State
1	1	m60-10/100eth-tx	m60-10/100eth-tx	up	up
	3	m4-atmoc12/3-sfp	m4-atmoc12/3-sfp	up	up
	5	c8-10/100eth-tx	c8-10/100eth-tx	up	up
	6	c1-lgb-sfp	c1-lgb-sfp	up	up
	7	c8-chds1	c8-chds1	up	up
	8	c4-ds3	c4-ds3	up	up

```
=====
A:7710-3>

A:7710-3>config# show mda 1/7 detail
=====
MDA 1/7 detail
=====
```

Slot	Mda	Provisioned Mda-type	Equipped Mda-type	Admin State	Operational State
	7	c8-chds1	c8-chds1	up	up

```
MDA Specific Data
Maximum port count      : 8
Number of ports equipped : 8
Network ingress queue policy : default
Capabilities             : TDM, PPP, FR
Min channel size        : PDH DS0 Group
Max channel size        : PDH DS1
Max number of channels  : 64
Channels in use         : 0

Hardware Data
Part number              : Sim Part#
CLEI code                : Sim CLEI
Serial number           : mda-7
Manufacture date        : 01012003
Manufacturing string    : Sim MfgString mda-7
Manufacturing deviations : Sim MfgDeviation mda-7
Administrative state    : up
Operational state       : up
```

Configuring Ports

```
Temperature           : 35C
Temperature threshold : 75C
Time of last boot     : 2006/10/02 09:28:22
Current alarm state   : alarm cleared
Base MAC address      : 04:7b:01:07:00:01
```

```
=====
A:7710-3>
```

In the TDM E1 context, configure DS0 channel groups and their parameters. For a DS1 channel-group, up to 24 timeslots can be assigned (numbered 1..24). For an E1 channel-group, up to 31 timeslots can be assigned (numbered 2..32). For ATM, all timeslots are auto-configured when a channel group gets created (there is no sub-E1 for ATM). ATM, Frame Relay and BCP-NUL encapsulation examples follow:

```
ALA-A>config>port>tdm# e1 1.1
ALA-A>config>port>tdm>e1# channel-group 1
ALA-A>config>port>tdm>e1>channel-group# timeslots 2
ALA-A>config>port>tdm>e1>channel-group# no shutdown
ALA-A>config>port>tdm>e1>channel-group#
ALA-A>config>port>tdm>e1# no shutdown
ALA-A>config>port>tdm>e1# channel-group 2
ALA-A>config>port>tdm>e1>channel-group# timeslots 3
ALA-A>config>port>tdm>e1>channel-group# encap-type frame-relay
ALA-A>config>port>tdm>e1>channel-group# no shutdown
ALA-A>config>port>tdm>e1>channel-group# exit
ALA-A>config>port>tdm>e1# channel-group 3
ALA-A>config>port>tdm>e1>channel-group# timeslots 11,12
ALA-A>config>port>tdm>e1>channel-group# encap-type cisco-hdlc
ALA-A>config>port>tdm>e1>channel-group# no shutdown
ALA-A>config>port>tdm>e1>channel-group# exit
ALA-A>config>port>tdm>e1# no shutdown
ALA-A>config>port>tdm>e1# exit
ALA-A>config>port>tdm# e1 1.2
ALA-A>config>port>tdm>e1# no shutdown
ALA-A>config>port>tdm>e1# channel-group 1
ALA-A>config>port>tdm>e1>channel-group# encap-type atm
ALA-A>config>port>tdm>e1>channel-group# no shutdown
ALA-A>config>port>tdm>e1>channel-group# exit
ALA-A>config>port>tdm>e1# no shutdown
ALA-A>config>port>tdm# info
```

```
-----
tdm
  ds3 1
    no shutdown
  exit
  e1 1.1
    channel-group 1
      timeslots 2
      no shutdown
  exit
  channel-group 2
    encap-type frame-relay
    frame-relay
  exit
  timeslots 10
  no shutdown
  exit
```

```
        channel-group 3
            encap-type cisco-hdlc
            cisco-hdlc
            exit
            timeslots 11,12
            no shutdown
        exit
    no shutdown
exit
el 1.2
    channel-group 1
        encap-type atm
        atm
        exit
        no shutdown
    exit
no shutdown
-----
ALA-A>config>port>tdm#
```

Services can now be applied to the configured channelized ports.

Configuring LAG Parameters

LAG configurations should include at least two ports. Other considerations include:

- A maximum of 64 ports (depending on IOM type, chassis-mode and lag-id) can be included in a LAG. All ports in the LAG must share the port characteristics inherited from the primary port.
- Autonegotiation must be disabled or set limited mode for ports that are part of a LAG to guarantee a specific port speed.
- Ports in a LAG must be configured as full duplex.

The following example displays LAG configuration output:

```
A:ALA-A>config>lag# info detail
-----
description "LAG2"
mac 04:68:ff:00:00:01
port 1/1/1
port 1/3/1
port 1/5/1
port 1/7/1
port 1/9/1
dynamic-cost
port-threshold 4 action down
-----
A:ALA-A>config>lag#
```

Configuring BFD on LAG Links

BFD can be configured under the LAG context to create and establish the micro-BFD session per link after the LAG and associated links have been configured. An IP interface must be associated with the LAG or a VLAN within the LAG, if dot1q encapsulation is used, before the micro-BFD sessions can be established.

Complete the following steps to enable and configure BFD over the individual LAG links:

- Enable BFD within the LAG context, which also enters the CLI into the BFD context
- Configure the address family which is to be used for the micro BFD sessions. Only one address family can be configured per LAG
- Configured the local-IP address to be used for the BFD sessions
- Configure the remote-IP address to be used for the BFD sessions

When configuring the local and remote IP address for the BFD over LAG link sessions, the *local-ip* parameter should always match an IP address associated with the IP interface to which this LAG is bound. In addition, the *remote-ip* parameter should match an IP address on the remote

system and should also be in the same subnet as the *local-ip* address. If the LAG bundle is re-associated with a different IP interface, the *local-ip* and *remote-ip* parameters should be modified to match the new IP subnet.

The optional parameters that may be configured for the BFD over LAG links include:

- Transmit Interval
- Receive Interval
- Multiplier
- Max-Wait-for-Up-Time - This parameter controls how long a link will remain active if BFD is enabled after the LAG and associated links are active and in a forwarding state.
- Max-Time-Admin-Down - This parameter controls how long the system will wait before bringing the associated link out of service if an admin down message is received from the far-end.

The following is an example configuration:

```
*A:Dut-C>config>lag# info
-----
bfd
  family ipv4
    local-ip-address 10.120.1.2
    receive-interval 1000
    remote-ip-address 10.120.1.1
    transmit-interval 1000
    no shutdown
  exit
exit
no shutdown
```

Configuring G.8031 Protected Ethernet Tunnels

Ethernet tunnel configuration can include at most two paths. Other considerations include:

- A path contains one member port and one control-tag (backbone VLAN ID/BVID)
- If the operator wants to replace an existing member port or a control-tag, the whole path needs to be shutdown first. The alternate path will be activated as a result keeping the traffic interruption to a minimum. Then the whole path must be deleted and re-created. To replace an existing member port or control tag, the whole path needs to be shutdown first. The alternate path will be activated as a result keeping traffic interruption to a minimum. Then the whole path must be deleted, the alternate path precedence modified to primary before re-creating the new path.
- The Ethernet tunnel will inherit the configuration from the first member port. The following port-level configuration needs to be the same between member ports of an Ethernet tunnel:
 - config>port>ethernet>access>{ingress|egress}>queue-group
 - config>port>ethernet>egress-scheduler-policy
 - config>port>access>egress>pool
 - config>port>ethernet>dot1q-etype
 - config>port>ethernet>qinq-etype
 - config>port>ethernet>pbb-etype
 - config>port>ethernet> mtu
- The operator can update these port parameters only if the port is the sole member of an Ethernet tunnel. This means that in the example below, the operator needs to remove port 1/1/4 and port 1/1/5 before being allowed to modify 1/1/1 for the above parameters.

CLI Syntax:

```
eth-tunnel 1
  path 1
    member 1/1/1
  path 2
    member 1/1/4
eth-tunnel 2
  path 1
    member 1/1/1
  path 2
    member 1/1/5
```

The following example displays eth-tunnel configuration output:

```
port 1/1/1
  ethernet
    encap-type dot1q
port 2/2/2
  ethernet
```



```
encap-type dot1q

config eth-tunnel 1
  path 1
    member 1/1/1
    control-tag 100
    precedence primary
    eth-cfm
      mep 51 domain 1 association 1
      ccm-enable
      low-priority-defect allDef
      mac-address 00:AE:AE:AE:AE:AE
      control-mep
      no shutdown
    no shutdown
  path 2
    member 2/2/2
    control-tag 200
    eth-cfm
      mep
        mep 52 domain 1 association 2 direction down
        ccm-enable
        low-priority-defect allDef
        mac-address 00:BE:BE:BE:BE:BE
        control-mep
        no shutdown
    no shutdown
```

Service Management Tasks

This section discusses basic procedures of the following service management tasks:

- [Modifying or Deleting an MDA, MCM, or CMA on page 242](#)
 - [Modifying a Card Type on page 243](#)
 - [Deleting a Card on page 244](#)
 - [Deleting Port Parameters on page 244](#)
-

Modifying or Deleting an MDA, MCM, or CMA

To change an MDA or CMA type already provisioned for a specific slot/card, first you must shut down the slot/MDA/port configuration and then delete the MDA, CMA, and/or the MCM from the configuration.

Note: To modify or delete CMAs, use the MDA command structure.

Use the following CLI syntax to modify an MDA:

CLI Syntax: `config> port port-id
shutdown`

CLI Syntax: `config> card slot-number
shutdown
[no] mda mda-number
[no] mda-type mda-type
[no] hi-bw-mcast-src [alarm] [group group-id]
shutdown`

Note: It is not required to shutdown and remove an MCM to remove or modify an MDA. Use the following sequence if changing the MCM type or slot configuration.

CLI Syntax: `config> card slot-number
shutdown
[no] mcm mcm-number
no mcm-type mcm-type
shutdown`

Modifying a Card Type

In order to modify the card type already provisioned for a specific slot, you must shutdown existing port configurations and shutdown and remove all MDA or CMA configurations. For 7750 SR-c12/c4 systems, after removing MDA configurations, shutdown and remove the MCM from service before modifying the card.

Note: CMAs do not require an MCM, therefore, if removing a CMA-type MDA from service, it is not required to shutdown and remove an MCM before modifying the card.

Use the following CLI syntax to modify a card type already provisioned for a specific slot:

CLI Syntax: `config> port port-id
[no] shutdown`

CLI Syntax: `config> card slot-number
mda mda-number
[no] mda-type mda-type
[no] shutdown`

CLI Syntax: `config> card slot-number
shutdown
[no] mcm mcm-number
no mcm-type mcm-type
shutdown`

Deleting a Card

In order to delete the card type provisioned for a specific slot, you must shutdown existing port configurations and shutdown and remove all MDA or CMA configurations. For 7750 SR-c12/c4 systems, after removing MDA configurations, you may shutdown and remove the MCM from service before modifying the card.

Use the following CLI syntax to delete a card provisioned for a specific slot:

CLI Syntax: `config> port port-id
shutdown`

CLI Syntax: `config> card slot-number
card-type card-type
mcm mcm-number (for 7750 SR-c12/c4 only)
no mcm-type mcm-type
no shutdown
mda mda-number
no mda-type mda-type
no shutdown`

Deleting Port Parameters

Use the following CLI syntax to delete a port provisioned for a specific card:

CLI Syntax: `config>port port-id
shutdown
no port port-id`

Use the following CLI syntax to delete a port provisioned for a specific card or CMA:

CLI Syntax: `config>port port-id
shutdown`

Soft IOM Reset

This section discusses basic procedures of the following service management tasks:

- [Soft Reset on page 245](#)
 - [Deferred MDA Reset on page 246](#)
-

Soft Reset

Soft reset is an advanced high availability feature that greatly reduces the impact of IOM/IMM resets either during a software upgrade or during other maintenance or debug operations. The combination of In Service Software Upgrade (ISSU) and Soft reset maximizes service availability in an operational network.

A soft reset re-initializes the control plane while the data plane continues operation with only very minimal impact to data forwarding. During the soft reset some processes that rely on the IOM control plane will not run for a duration that is similar to the duration of an IOM Hard reset. These processes include the updating of the IP forwarding table on the IOM (IP FIB downloads from the CPM), Layer 2 learning of new MAC addresses on the IOM, updating of the MAC forwarding table (for MAC addresses learned from other IOMs), ARP, Ethernet OAM 802.3ah, LLDP and handling for certain ICMP functions such as Can't Fragment, Redirect, Host Unreachable, Network Unreachable and TTL Expired. Note that protocols and processes on the CPM continue to operate during a Soft Reset (BGP continues to learn new routes from peers, and the new routes will be downloaded to the IOM once the Soft Reset has completed).

The combination of the very small data plane impact and special soft reset enhancements for protocols ensures that most protocols do not go down and no visible impacts to most protocols are detected externally to the SR/ESS platforms. BFD timers are temporarily increased for the duration of a soft reset in order to keep BFD sessions up. Protocols such as BGP, OSPF, IS-IS, PIM, etc with default timers remain up. A protocol using aggressive timers may go down momentarily during a soft reset.

Note that although the majority of protocols stay up during a Soft Reset, there are some limitations for a few protocols. Refer to the Known Limitations section of the Release Notes for the relevant release for details.

The soft IOM reset procedure is applicable during the ISSU process and for a manual soft reset procedure.

To manually perform a soft IOM reset, enter the **clear card *slot-number* soft** command.

Soft Reset is supported on Ethernet IMM and on IOMs that have Ethernet MDAs provisioned. The operator can optionally force a Soft Reset on an IOM that contains at least one MDA that supports Soft Reset but also has an MDA that does not support Soft Reset or is operationally down. To force Soft Reset in this case the **hard-reset-unsupported-mdas** keyword is used and the supported MDAs and the card itself are soft reset while the MDAs that do not support soft reset (or are operationally down) are hard reset.

The **show card** and **show mda** commands indicate that a soft IOM reset is occurring during the soft reset process.

Soft Reset is not supported on the following platforms: 7750 SR-1, 7450 ESS-1, 7710/7750 SR-c4. On the 7710/7750 SR-c12 platforms, Soft Reset is not supported but the ISSU procedure will avoid resetting soft reset capable MDAs/CMAs.

Deferred MDA Reset

As part of an ISSU, soft reset is supported even if the (old) firmware version on the MDAs is not the same as the (new) firmware version in the software load to which the operator is upgrading. The soft reset is allowed to proceed by leaving the previous version of the firmware running while upgrading the rest of the MDA/IOM/IMM. The operator can then issue a hard reset of the MDA/IMM at some time in the future to upgrade the firmware.

The soft reset is only allowed to proceed if the older firmware is compatible with the new IOM/IMM software load. Otherwise the soft reset is blocked and a hard reset must be used instead.

After a soft reset has completed, a log event will be raised if necessary to warn the operator that the MDA (or IMM) is running older firmware and that they can perform a hard reset of the MDA (or IMM) at some point if desired.

If the MDA/IMM is never hard reset by the operator, and then in the future another s/w upgrade is performed, and the older firmware is no longer compatible with the newest load being upgraded to, then the soft reset will be blocked (or an automatic hard reset will occur for Major ISSU).

Note: The operator can see if they are running with older MDA/IMM firmware at any time by using the **show mda detail** command.

Card, MDA, and Port Command Reference

Command Hierarchies

Card and MDA Configuration Commands

- [Hardware Commands on page 248](#)
 - [Card Commands on page 248](#)
 - [MDA Commands on page 248](#)
 - [MCM Commands on page 248](#)
 - [Forwarding Plane \(FP\) Commands on page 251](#)
- [Port Configuration Commands on page 254](#)
- [Port APS Commands on page 257](#)
- [Ethernet Commands on page 258](#)
- [Multilink Bundle Commands on page 264](#)
- [SONET/SDH Commands on page 266](#)
- [SONET Path ATM Commands on page 266](#)
- [TDM Commands on page 269](#)
- [DS1 Commands on page 269](#)
- [DS3 Commands on page 271](#)
- [E1 Commands on page 272](#)
- [E3 Commands on page 274](#)
- [LAG Commands on page 276](#)
- [Ethernet Ring Commands on page 278](#)
- [Ethernet Tunnel Commands on page 279](#)
- [Multi-Chassis Redundancy Commands on page 280](#)
- [Show Commands on page 282](#)
- [Clear Commands on page 284](#)
- [Debug Commands on page 284](#)
- [Tools Commands on page 284](#)

Hardware Commands

- ```

config
 — [no] card slot-number
 — capability {sr | ess} [now]
 — card-type card-type
 — no card-type
 — [no] fail-on-error
 — [no] named-pool-mode

```

## MCM Commands

- ```

  — [no] mcm mcm-slot
    — mcm-type mcm-type
    — no mcm-type
    — [no] shutdown
  
```

MDA Commands

- ```

 — [no] card slot-number
 — [no] mda mda-slot
 — access
 — egress
 — [no] pool [name]
 — amber-alarm-threshold percentage
 — no amber-alarm-threshold
 — red-alarm-threshold percentage
 — no red-alarm-threshold
 — resv-cbs percent-or-default amber-alarm-action
 step percent max [1..100]
 — resv-cbs percent-or-default
 — no resv-cbs
 — slope-policy name
 — no slope-policy
 — ingress
 — [no] pool [name]
 — amber-alarm-threshold percentage
 — no amber-alarm-threshold
 — red-alarm-threshold percentage
 — no red-alarm-threshold
 — resv-cbs percent-or-default amber-alarm-action
 step percent max [1..100]
 — resv-cbs percent-or-default
 — no resv-cbs
 — slope-policy name
 — no slope-policy
 — clock-mode adaptive
 — clock-mode differential [timestamp-freq {19440 | 77760 | 103680}]
 — egress
 — hi-bw-mcast-src [alarm] [group group-id]
 — no hi-bw-mcast-src
 — egress-xpl
 — threshold threshold
 — window window
 — [no] fail-on-error
 — ingress
 — mcast-path-management

```



- **ancillary-override**
  - **path-limit** *megabits-per-second*
  - **no path-limit**
- **bandwidth-policy** *policy-name*
- **no bandwidth-policy**
- **primary-override**
  - **path-limit** *megabits-per-second*
  - **no path-limit**
- **secondary-override**
  - **path-limit** *megabits-per-second*
  - **no path-limit**
- **[no] shutdown**
- **scheduler-policy** *hsmda-scheduler-policy-name*
- **no scheduler-policy**
- **mda-type** *mda-type*
- **no mda-type**
- **named-pool-mode**
  - **egress**
    - **named-pool-policy** *policy-name*
    - **no named-pool-policy**
  - **ingress**
    - **named-pool-policy** *policy-name*
    - **no named-pool-policy**
- **network**
  - **egress**
    - **[no] pool** [*name*]
      - **amber-alarm-threshold** *percentage*
      - **no amber-alarm-threshold**
      - **red-alarm-threshold** *percentage*
      - **no red-alarm-threshold**
      - **resv-cbs** *percent-or-default* **amber-alarm-action** **step** *percent* **max** [1..100]
      - **resv-cbs** *percent-or-default*
      - **no resv-cbs**
      - **slope-policy** *name*
      - **no slope-policy**
  - **ingress**
    - **[no] pool** [*name*]
      - **amber-alarm-threshold** *percentage*
      - **no amber-alarm-threshold**
      - **red-alarm-threshold** *percentage*
      - **no red-alarm-threshold**
      - **resv-cbs** *percent-or-default* **amber-alarm-action** **step** *percent* **max** [1..100]
      - **resv-cbs** *percent-or-default*
      - **no resv-cbs**
      - **slope-policy** *name*
      - **no slope-policy**
    - **queue-policy** *name*
    - **no queue-policy**
  - **[no] shutdown**
  - **[no] sync-e**
  - **[no] shutdown**
  - **[no] named-pool-mode** [*now*]

## Virtual Scheduler Commands

- [no] **card** *slot-number*
- [no] **mda** *mda-slot*
- **virtual-scheduler-adjustment**
  - **rate-calc-min-int** [**fast-queue** *percent-of-default*] [**slow-queue** *percent-of-default*]
  - **no rate-calc-min-int**
  - **sched-run-min-int** *percent-of-default*
  - **no sched-run-min-int**
  - **task-scheduling-int** *percent-of-default*
  - **no task-scheduling-int**
  - **slow-queue-thresh** *kilobits-per-second*
  - **no slow-queue-thresh**

## Forwarding Plane (FP) Commands

```

config
 — card
 — fp [fp-number]
 — dist-cpu-protection policy-name
 — no dist-cpu-protection
 — egress
 — wred-queue-control
 — buffer-allocation min percentage max percentage
 — no buffer-allocation
 — resv-cbs min percentage max percentage
 — no resv-cbs
 — [no] shutdown
 — slope-policy slope-policy-name
 — no slope-policy
 — hi-bw-mcast-src [alarm] [group group-id] [default-paths-only]
 — no hi-bw-mcast-src
 — ingress
 — access
 — queue-group queue-group-name instance instance-id
 [create]
 — accounting-policy policy-name
 — no accounting-policy
 — [no] collect-stats
 — description long-description-string
 — no description
 — policer-control-policy policy-name
 — no policer-control-policy
 — max-rate {rate | max}
 — priority-mbs-thresholds
 — min-thresh-separation size [bytes | kilo-
 bytes]
 — [no] priority level
 — mbs-contribution [bytes | kilobytes]
 — [no] policer-override
 — policer policer-id [create]
 — no policer policer-id
 — stat-mode {no-stats | minimal | offered-profile-
 no-cir | offered-priority-no-cir | offered-limited-
 profile-cir | offered-profile-cir | offered-priority-
 cir|offered-total-cir | offered-profile-capped-cir |
 offered-limited-capped-cir}
 — no stat-mode
 — rate {max | kilobits-per-second} [cir {max | kilo-
 bits-per-second}]
 — no rate
 — mbs {size [bytes | kilobytes] | default}
 — no mbs
 — cbs {size [bytes | kilobytes] | default}
 — no cbs
 — packet-byte-offset {add bytes | subtract bytes}
 — no packet-byte-offset
 — ingress-buffer-allocation hundredths-of-a-percent
 — no ingress-buffer-allocation

```

- **mcast-path-management**
  - **bandwidth-policy** *policy-name*
  - **no bandwidth-policy**
  - **[no] shutdown**
- **network**
  - **queue-group** *queue-group-name* **instance** *instance-id*
  - **no queue-group**
    - **accounting-policy** *acct-policy-id*
    - **no accounting-policy**
    - **[no] collect-stats**
    - **description** *description-string*
    - **no description**
    - **policer-control-policy** *policy-name*
    - **no policer-control-policy**
      - **priority-mbs-thresholds**
        - **min-thresh-separation** **size** [bytes | kilobytes]
        - **[no] priority** **level**
        - **mbs-contribution** **size** [bytes | kilobytes]
    - **[no] policer-override**
    - **policer** *policer-id* [create]
    - **no policer** *policer-id*
    - **stat-mode** {no-stats | minimal | offered-profile-no-cir | offered-priority-no-cir | offered-limited-profile-cir | offered-profile-cir | offered-priority-cir|offered-total-cir | offered-profile-capped-cir | offered-limited-capped-cir }
    - **no stat-mode**
    - **rate** {max | *kilobits-per-second*} [cir {max | *kilobits-per-second*}]
    - **no rate**
    - **mbs** {*size* [bytes | kilobytes] | default }
    - **no mbs**
    - **cbs** {*size* [bytes | kilobytes] | default }
    - **no cbs**
    - **packet-byte-offset**{add *bytes* | subtract *bytes*}
    - **packet-byte-offset**
  - **[no] stable-pool-sizing**
- **mda**
  - **ingress**
    - **mcast-path-management**
      - **ancillary-override**
        - **path-limit** *megabits-per-second*
        - **no path-limit**
      - **bandwidth-policy** *policy-name*
      - **no bandwidth-policy**
      - **primary-override**
        - **path-limit** *megabits-per-second*
        - **no path-limit**
      - **secondary-override**
        - **path-limit** *megabits-per-second*
        - **no path-limit**
      - **[no] shutdown**

```
tools
 — dump
 — mcast-path-mgr
 — cpm
```

## Port Configuration Commands

```

config
 — port {port-id | bundle-id | bpgrp-id | aps-id}
 — no port {bundle-id | bpgrp-id | aps-id}
 — access
 — egress
 — [no] pool [name]
 — amber-alarm-threshold percentage
 — no amber-alarm-threshold
 — red-alarm-threshold percentage
 — no red-alarm-threshold
 — resv-cbs percent-or-default amber-alarm-action step percent
 max [1..100]
 — resv-cbs percent-or-default
 — no resv-cbs
 — slope-policy name
 — no slope-policy
 — ingress
 — [no] pool [name]
 — amber-alarm-threshold percentage
 — no amber-alarm-threshold
 — red-alarm-threshold percentage
 — no red-alarm-threshold
 — resv-cbs percent-or-default amber-alarm-action step percent
 max [1..100]
 — resv-cbs percent-or-default
 — no resv-cbs
 — slope-policy name
 — no slope-policy
 — [no] ddm-events
 — description long-description-string
 — no description
 — dwdm
 — amplifier
 — report-alarms [ild] [tmp] [pth] [mtl] [los] [lop] [com]
 — channel channel
 — coherent
 — channel channel
 — cpr-window-size window-size
 — dispersion dispersion
 — mode {automatic|manual}
 — report-alarms [modflt] [mod] [netrx] [nettx] [hosttx]
 — rx-los-thresh threshold
 — sweep start dispersion-start end dispersion-end
 — target-power power
 — [no] rxdtv-adjust
 — tdcm
 — channel
 — dispersion dispersion
 — mode {automatic | manual}
 — report-alarms [nrdy] [pth] [mtl] [unlck] [tlim] [einv] [com]
 — sweep start dispersion-start end dispersion-end
 — wavetracker

```

- **encode** *wave-key* **key2** *wave-key*
- **no encode**
- **[no] power-control**
  - **target-power** *dBm*
  - **[no] report-alarm** [**encode-fail**] [**encode-degrade**] [**power-fail**] [**power-degrade**] [**power-high**] [**power-low**]
- **ethernet**
  - **network**
    - **queue-group** *queue-group-name* **instance** *instance-id*
      - **[no] agg-rate**
        - **rate** {**max** | **rate**}
        - **no rate**
        - **[no] limit-unused-bandwidth**
    - **xgig** {**lan** | **wan**}
- **hybrid-buffer-allocation**
  - **ing-weight access** *access-weight* **network** *network-weight*
  - **no ing-weight**
  - **egr-weight access** *access-weight* **network** *network-weight*
  - **no egr-weight**
- **modify-buffer-allocation-rate**
  - **ing-percentage-of-rate** *rate-percentage*
  - **no ing-percentage-of-rate**
  - **egr-percentage-of-rate** *rate-percentage*
  - **no egr-percentage-of-rate**
- **named-pool-mode**
  - **egress**
    - **named-pool-policy** *policy-name*
    - **no named-pool-policy**
  - **ingress**
    - **named-pool-policy** *policy-name*
    - **no named-pool-policy**
- **network**
  - **egress**
    - **[no] pool** [*name*]
      - **amber-alarm-threshold** *percentage*
      - **no amber-alarm-threshold**
      - **red-alarm-threshold** *percentage*
      - **no red-alarm-threshold**
      - **resv-cbs** *percent-or-default* **amber-alarm-action** **step** *percent* **max** [1..100]
      - **resv-cbs** *percent-or-default*
      - **no resv-cbs**
      - **slope-policy** *name*
      - **no slope-policy**
- **[no] otu**
  - **[no] async-mapping**
  - **fec** {**enhanced** | **g709**}
  - **no fec**
  - **otu2-lan-data-rate** {**11.049** | **11.0957**}
  - **pm-tti**
    - **expected auto-generated**
    - **expected bytes** *byte* [*byte...*(up to 64 max)]
    - **expected string** *identifier*
    - **expected use-rx**
    - **mismatch-reaction** {**sqlch-rx**}

- **no mismatch-reaction**
- **tx auto-generated**
- **tx bytes** *bytes* [*bytes...*(up to 64 max)]
- **tx string** *identifier*
- **no tx**
- **psi-payload**
  - **expected bytes** *byte*
  - **expected auto**
  - **mismatch-reaction** {*squelch-rx*}
  - **no mismatch-reaction**
  - **tx** *byte*
  - **tx auto**
- [no] **psi-tti**
  - **expected auto-generated**
  - **expected bytes** *byte* [*byte...*(up to 64 max)]
  - **expected string** *identifier*
  - **expected use-rx**
  - **mismatch-reaction** {*squelch-rx*}
  - **no mismatch-reaction**
  - **tx auto-generated**
  - **tx bytes** *bytes* [*bytes...*(up to 64 max)]
  - **tx string** *identifier*
  - **no tx**
- [no] **report-alarms** [*loc*] [*los*] [*lof*] [*lom*] [*otu-ais*] [*otu-ber-sf*] [*otu-ber-sd*] [*otu-bdi*] [*otu-tim*] [*otu-iae*] [*otu-biae*] [*fec-sf*] [*fec-sd*] [*fec-fail*] [*fec-uncorr*] [*odu-ais*] [*odu-oci*] [*odu-lck*] [*odu-bdi*] [*odu-tim*] [*opu-tim*] [*opu-plm*]
- **sf-sd-method** {*bip8* | *fec*}
- **sf-threshold** *threshold*
- **sd-threshold** *threshold*
- **sm-tti**
  - **expected auto-generated**
  - **expected bytes** *byte* [*byte...*(up to 64 max)]
  - **expected string** *identifier*
  - **expected use-rx**
  - **mismatch-reaction** {*squelch-rx*}
  - **no mismatch-reaction**
  - **tx** {*auto-generated* | *string identifier* | *bytes byte1* [*byte2...*(up to 64 bytes)]}
  - **no tx**
- [no] **shutdown**
- **ethernet**



## Port APS Commands

```

config
 — [no] port {aps-id}
 — aps
 — advertise-interval advertise-interval
 — no advertise-interval
 — hold-time hold-time
 — no hold-time
 — hold-time-aps [signal-failure sf-time][signal-degrade sd-time]
 — no hold-time-aps
 — no mode-annexb
 — neighbor ip-address
 — no neighbor
 — protect-circuit port-id
 — no protect-circuit
 — rdi-alarms [suppress | circuit]
 — revert-time minutes
 — no revert-time
 — switching-mode {bi-directional | uni-directional | uni-1plus1}
 — working-circuit port-id [number number]
 — no working-circuit
 — wtr-annexb minute

```

## Ethernet Commands

```

config
 — [no] port {port-id}
 — ethernet
 — access
 — egress
 — queue-group queue-group-name [instance instance-id]
 — no queue-group queue-group-name
 — accounting-policy acct-policy-id
 — no accounting-policy
 — [no] agg-rate
 — [no] limit-unused-bandwidth
 — [no] queue-frame-based-accounting
 — rate {max | rate}
 — no rate
 — [no] collect-stats
 — description description-string
 — no description
 — queue-overrides
 — queue queue-id [create]
 — no queue queue-id
 — parent [[weight weight] [cir-weight cir-weight]]
 — no parent
 — adaptation-rule [pir {max | min | closest}]
 [cir {max | min | closest}]
 — no adaptation-rule
 — burst-limit {default | size [byte | kilo-byte]}
 — no burst-limit
 — cbs size-in-kbytes
 — no cbs
 — high-prio-only percent
 — no high-prio-only
 — mbs size-in-kbytes
 — no mbs
 — rate pir-rate [cir cir-rate]
 — no rate
 — scheduler-policy scheduler-policy-name
 — no scheduler-policy
 — scheduler-policy
 — policer-control-policy
 — no policer-control-policy
 — vport name [create]
 — no vport name
 — agg-rate agg-rate
 — [no] agg-rate
 — rate {max | rate}
 — no rate
 — [no] limit-unused-bandwidth
 — description description-string
 — no description
 — [no] egress-rate-modify
 — host-match dest description-string [create]

```

- **no host-match** *destination-string*
- **port-scheduler-policy** *port-scheduler-policy-name*
- **no port-scheduler-policy**
- **scheduler-policy** *scheduler-policy-name*
- **no scheduler-policy**
- **ingress**
  - **queue-group** *queue-group-name* [**create**]
  - **no queue-group** *queue-group-name*
    - **accounting-policy** *acct-policy-id*
    - **no accounting-policy**
    - **[no] collect-stats**
    - **description** *description-string*
    - **no description**
    - **queue-overrides**
      - **queue** *queue-id* [**create**]
      - **no queue** *queue-id*
        - **adaptation-rule** [**pir** {**max** | **min** | **closest**}] [**cir** {**max** | **min** | **closest**}]
        - **no adaptation-rule**
        - **burst-limit** {**default** | **size** [**byte** | **kilo-byte**]}
        - **no burst-limit**
        - **cbs** *size-in-kbytes*
        - **no cbs**
        - **high-prio-only** *percent*
        - **no high-prio-only**
        - **mbs** *size-in-kbytes*
        - **no mbs**
        - **rate** *pir-rate* [**cir** *cir-rate*]
        - **no rate**
      - **scheduler-policy** *scheduler-policy-name*
      - **no scheduler-policy**
- **autonegotiate** [**limited**]
- **no autonegotiate**
- **crc-monitor**
  - **[no] sd-threshold** *N* [**multiplier** *M*]
  - **[no] sf-threshold** *N* [**multiplier** *M*]
  - **[no] window-size** *W*
- **dot1q-etype** *0x0600..0xffff*
- **no dot1q-etype**
- **dot1x**
  - **max-auth-req** *max-auth-request*
  - **port-control** {**auto** | **force-auth** | **force-unauth**}
  - **quiet-period** *seconds*
  - **radius-plcy** *name*
  - **no radius-plcy**
  - **re-auth-period** *seconds*
  - **no re-auth-period**
  - **[no] re-authentication**
  - **server-timeout** *seconds*
  - **no server-timeout**
  - **supplicant-timeout** *seconds*
  - **no supplicant-timeout**
  - **transmit-period** *seconds*
  - **no transmit-period**

- **tunneling**
- **no tunneling**
- **[no] down-on-internal-error**
- **down-when-looped**
  - **keep-alive** *timer*
  - **no keep-alive**
  - **retry-timeout** *timer*
  - **no retry-timeout**
  - **[no] shutdown**
  - **[no] use-broadcast-address**
- **duplex** {**full** | **half**}
- **efm-oam**
  - **[no] accept-remote-loopback**
  - **[no] grace-tx-enable**
  - **hold-time** *time-value*
  - **no hold-time**
  - **[no] ignore-efm-state**
  - **mode** {**active** | **passive**}
  - **[no] shutdown**
  - **[no] transmit-interval** *interval* [**multiplier** *multiplier*]
  - **[no] tunneling**
- **egress**
  - **[no] exp-secondary-shaper**
    - **rate** {**max** | *kilobits-per-second*}
    - **no rate**
    - **class** *class-number* **rate** {*kilobits-per-second* | **max**} [**monitor-threshold** *size-in-kilobytes*]
    - **no class**
    - **low-burst-max-class** *class*
    - **no low-burst-max-class**
- **egress-rate** *sub-rate*
- **no egress-rate**
- **[no] egress-scheduler-override**
  - **level** *priority-level* **rate** *pir-rate* [**cir** *cir-rate*]
  - **no level** *priority-level*
  - **max-rate** *rate*
  - **no max-rate**
- **egress-scheduler-policy** *port-scheduler-policy-name*
- **no egress-scheduler-policy**
- **elmi**
  - **mode** {**none**|**uni-n**}
  - **n393** [2..10]
  - **no n393**
  - **t391** [5..30]
  - **no t391**
  - **t392** [5..30]
  - **no t392**
- **encap-type**
- **encap-type** {**dot1q** | **null** | **qinq**}
- **no encap-type**
- **eth-cfm**
  - **[no] mep** *mep-id* **domain** *md-index* **association** *ma-index* [**vlan** *vlan-id*]
  - **[no] ais-enable**
    - **client-meg-level** [*level* [*level* ...]]
    - **no client-meg-level**

- **interval** {1|60}
- **no interval**
- **priority** *priority-value*
- **no priority**
- **[no] ccm-enable**
- **ccm-ltm-priority** *priority*
- **no ccm-ltm-priority**
- **ccm-padding-size** *ccm-padding*
- **no ccm-padding-size**
- **ccm-tlv-ignore** [**port-status**] [**interface-status**]
- **no ccm-tlv-ignore**
- **description** *description-string*
- **no description**
- **[no] eth-test-enable**
  - **bit-error-threshold** *bit-errors*
  - **test-pattern** {**all-zeros**|**all-ones**} [**crc-enable**]
  - **no test-pattern**
- **[no] facility-fault**
- **low-priority-defect** {**allDef**|**macRemErrXcon**|**remErrXcon**|**errXcon**|**xcon**|**noXcon**}
- **mac-address** *mac-address*
- **no mac-address**
- **one-way-delay-threshold** *seconds*
- **[no] shutdown**
- **hold-time** {**[up hold-time up]** [**down hold-time down**] [**seconds**|**centiseconds**]}
- **no hold-time**
- **[no] hsmda-scheduler-overrides**
  - **group** *group-id rate rate*
  - **no group** *group-id*
  - **max-rate** *rate*
  - **no max-rate**
  - **scheduling-class** *class rate rate*
  - **scheduling-class** *class weight weight-in-group*
  - **no scheduling-class** *class*
- **ingress-rate** *ingress-rate*
- **no ingress-rate**
- **[no] lacp-tunnel**
- **lldp**
  - **dest-mac** {**nearest-bridge** | **nearest-non-tpmr** | **nearest-customer**}
    - **admin-status** {**rx** | **tx** | **tx-rx** | **disabled**}
    - **[no] notification**
    - **tx-mgmt-address** [**system**]
    - **no tx-mgmt-address**
    - **tx-tlvs** [**port-desc**] [**sys-name**] [**sys-desc**] [**sys-cap**]
    - **no tx-tlvs**
- **load-balancing-algorithm** *option*
- **no load-balancing-algorithm**
- **mac** *ieee-address*
- **no mac**
- **mode** {**access** | **network** | **hybrid**}
- **no mode**
- **mtu** *mtu-bytes*
- **no mtu**
- **network**
  - **accounting-policy** *policy-id*

- **no accounting-policy**
- **[no] collect-stats**
- **egress**
  - **queue-group** *queue-group-name* [**instance** *instance id*] [**create**]
  - **no queue-group** *queue-group-name*
    - **accounting-policy** *acct-policy-id*
    - **no accounting-policy**
    - **agg-rate** *kilobits-per-second* [**queue-frame-based-accounting**]
    - **no agg-rate**
    - **[no] collect-stats**
    - **description** *description-string*
    - **no description**
    - **host-match dest** *destination-string* [**create**]
    - **no host-match dest** *destination-string*
    - **queue-overrides**
      - **queue** *queue-id* [**create**]
      - **no queue** *queue-id*
        - **adaptation-rule** **pir** {**max** | **min** | **closest**}} [**cir** {**max** | **min** | **closest**}}]
        - **no adaptation-rule**
        - **burst-limit**
        - **[no] burst-limit**
        - **cbs** *size-in-kbytes*
        - **no cbs**
        - **high-prio-only** *percent*
        - **no high-prio-only**
        - **mbs** *size-in-kbytes*
        - **no mbs**
        - **rate** *pir-rate* [**cir** *cir-rate*]
        - **no rate**
      - **scheduler-policy** *scheduler-policy-name*
      - **no scheduler-policy**
      - **policer-control-policy** *policy-name*
  - **queue-policy** *name*
  - **no queue-policy**
- **pbb-etype** [0x0600..0xffff]
- **no pbb-etype**
- **qinq-etype** 0x0600..0xffff
- **no qinq-etype**
- **[no] report-alarm** [**signal-fail**] [**remote**] [**local**] [**no-frame-lock**]
- **[no] single-fiber**
- **speed** {**10** | **100** | **1000**}
- **ssm**
  - **[no] shutdown**
  - **code-type** {**sonet** | **sdh**}
  - **no code-type**
  - **[no] tx-dus**
- **xgig** {**lan** | **wan**}

## Interface Group Handler Commands

- config**
- **[no] interface-group-handler** *group-id*
- **[no] member** *portid*
- **threshold** *min*
- **no threshold**

## Multilink Bundle Commands

```

config
 — [no] port {bundle-id}
 — multilink-bundle
 — fragment-threshold fragment-threshold
 — fragment-threshold unlimited
 — no fragment-threshold
 — ima
 — atm
 — cell-format cell-format
 — min-vp-vpi value
 — link-delay {activate | deactivate} milli-seconds
 — no link-delay {activate | deactivate}
 — max-bandwidth number-links
 — no max-bandwidth
 — test-pattern-procedure
 — [no] shutdown
 — test-link port-id
 — no test-link
 — test-pattern pattern
 — no test-pattern
 — version IMA-version
 — no version
 — [no] interleave-fragments
 — [no] member port-id
 — minimum-links minimum-links
 — no minimum-links
 — mlfr
 — ack-timeout seconds
 — no ack-timeout
 — egress
 — qos-profile profile-id
 — no qos-profile
 — frame-relay
 — lmi-type {ansi | itu | none | rev1}
 — mode {dce | dte | bidir}
 — n391dte intervals
 — n392dce threshold
 — n392dte threshold
 — n393dce count
 — n393dte count
 — t391dte keepalive
 — t392dce keepalive
 — hello-timeout seconds
 — no hello-timeout
 — [no] identifier bundle-id-string
 — ingress
 — qos-profile profile-id
 — no qos-profile
 — retry-limit integer
 — no retry-limit
 — mlppp
 — egress
 — qos-profile profile-id

```



- **no qos-profile**
- **endpoint-discriminator** class {ip-address | global-mac-address} [discriminator-id *discriminator-id*]
- **no endpoint-discriminator**
- **ingress**
  - **qos-profile** *profile-id*
  - **no qos-profile**
- [no] **magic-number**
- **multiclass** *count*
- **no multiclass**
- [no] **stateless-aps-switchover**
- **mrru** *mrru*
- **no mrru**
- [no] **protect-bundle**
- **red-differential-delay** *red-diff-delay* [down]
- **no red-differential-delay**
- [no] **short-sequence**
- [no] **working-bundle**
- **yellow-differential-delay** *yellow-diff-delay*
- **no yellow-differential-delay**

## SONET-SDH Commands

```

config
 — [no] port {port-id}
 — sonet-sdh
 — clock-source {loop-timed | node-timed}
 — framing {sonet | sdh}
 — group sonet-sdh-index payload {tu3 | vt2 | vt15}
 — hold-time hold-time {[up hold-time up] [down hold-time down]}
 — no hold-time
 — loopback {line | internal}
 — no loopback
 — [no] path [sonet-sdh-index]
 — access
 — egress
 — vport name [create]
 — no vport name
 — agg-rate agg-rate
 — [no] agg-rate
 — rate {max | rate}
 — no rate
 — [no] limit-unused-bandwidth
 — [no] queue-frame-based-accounting
 — description description-string
 — no description
 — [no] egress-rate-modify
 — host-match dest description-string [create]
 — no host-match destination-string
 — port-scheduler-policy port-scheduler-policy-name
 — no port-scheduler-policy
 — atm
 — cell-format cell-format
 — ilmi [vpi/vci]
 — no ilmi
 — egress
 — traffic-desc traffic-desc-profile-id
 — no traffic-desc
 — ingress
 — traffic-desc traffic-desc-profile-id
 — no traffic-desc
 — keep-alive [poll-frequency seconds] [poll-count value] [test-frequency seconds]
 — no keep-alive
 — protocol protocol-type
 — no protocol
 — [no] shutdown
 — min-vp-vpi value
 — cisco-hdlc
 — down-count down-count
 — no down-count
 — keepalive time-interval
 — no keepalive
 — up-count up-count
 — no up-count

```

- **crc** {16 | 32}
- **description** *description*
- **no description**
- [no] **egress-scheduler-override**
  - **level** *priority-level* **rate** *pir-rate* [**cir** *cir-rate*]
  - **no level** *priority-level*
  - **max-rate** *rate*
  - **no max-rate**
- **egress-scheduler-policy** *port-scheduler-policy-name*
- **no egress-scheduler-policy**
- **encap-type** {atm | bcp-null | bcp-dot1q | ipcp | ppp-auto | frame-relay | wan-mirror | cisco-hdlc}
- **frame-relay**
  - [no] **frf-12**
    - **egress**
      - **qos-profile** *profile-id*
      - **no qos-profile**
    - **fragment-threshold** *threshold*
    - **no fragment-threshold**
  - **lmi-type** {ansi | itu | none | rev1}
  - **mode** {dce | dte | bidir}
  - **n391dte** *intervals*
  - **no n391dte**
  - **n392dce** *threshold*
  - **no n392dce**
  - **n392dte** *threshold*
  - **no n392dte**
  - **n393dce** *count*
  - **no n393dce**
  - **n393dte** *count*
  - **no n393dte**
  - **t391dte** *keepalive*
  - **no t391dte**
  - **t392dce** *keepalive*
  - **no t392dce**
- **mac** *ieee-address*
- **no mac**
- **mode** {access | network | hybrid}
- **mtu** *mtu*
- **no mtu**
- **network**
  - **accounting-policy** *policy-id*
  - **no accounting-policy**
  - [no] **collect-stats**
  - **queue-policy** *name*
  - **no queue-policy**
- **payload** {sts3 | tug3 | ds3 | e3 | vt2 | vt15 | ds1 | e1}
- **ppp**
  - **keepalive** *time-interval* [**dropcount** *drop-count*]
  - **no keepalive**
- [no] **report-alarm** [pais] [plop] [prdi] [pplm] [prei] [puneq] [plcd]
- [no] **scramble**
- [no] **shutdown**
- **signal-label** *value*
- **no signal-label**

- **trace-string** [*trace-string*]
- **no trace-string**
- **[no] report-alarm** [**loc**] [**lais**] [**lrldi**] [**ss1f**] [**lb2er-sd**] [**lb2er-sf**] [**slof**][**slos**] [**lrei**]
- **section-trace** {**increment-z0** | **byte** *value* | **string** *string*}
- **[no] single-fiber**
- **speed** {**oc3** | **oc12**}
- **no speed**
- **[no] suppress-lo-alarm**
- **threshold** {**ber-sd** | **ber-sf**} **rate** *threshold-rate*
- **no threshold** {**ber-sd** | **ber-sf**}
- **[no] tx-dus**

## TDM Commands

```

config
 — [no] port {port-id}
 — tdm
 — buildout {long | short}
 — [no] ds1 ds1-id
 — bert {2e3 | 2e9 | 2e11 | 2e15 | 2e20 | 2e20q | 2e23 | ones | zeros | alternating} duration duration
 — no bert
 — bit-error-insertion rate
 — no bit-error-insertion
 — [no] channel-group channel-group
 — atm
 — cell-format cell-format
 — min-vp-vpi value
 — cisco-hdlc
 — down-count down-count
 — no down-count
 — keepalive time-interval
 — no keepalive
 — up-count up-count
 — no up-count
 — crc {16 | 32}
 — [no] description description-string
 — [no] egress-scheduler-override
 — level priority-level rate pir-rate [cir cir-rate]
 — no level priority-level
 — max-rate rate
 — no max-rate
 — egress-scheduler-policy port-scheduler-policy-name
 — [no] encap-type {atm | bcp-null | bcp-dot1q | ipcp | ppp-auto | frame-relay | wan-mirror | cisco-hdlc | cem}
 — frame-relay
 — [no] frf-12
 — egress
 — qos-profile profile-id
 — no qos-profile
 — fragment-threshold threshold
 — no fragment-threshold
 — [no] identifier frf16-link-id-string
 — lmi-type {ansi | itu | none | rev1}
 — mode {dce | dte | bidir}
 — n391dte intervals
 — no n391dte
 — n392dce threshold
 — no n392dce
 — n392dte threshold
 — no n392dte
 — n393dce count
 — no n393dce
 — n393dte count
 — no n393dte

```

- **t391dte** *keepalive*
- **no t391dte**
- **t392dce** *keepalive*
- **no t392dce**
- **idle-cycle-flag** {*flags* | *ones*}
- **no idle-cycle-flag**
- **idle-payload-fill** {*all-ones*}
- **idle-payload-fill** *pattern* *pattern*
- **no idle-payload-fill**
- **idle-signal-fill** {*all-ones*}
- **idle-signal-fill** *pattern* *pattern*
- **no idle-signal-fill**
- **load-balancing-algorithm** *option*
- **no load-balancing-algorithm**
- **mac** *ieee-address*
- **no mac**
- [no] **mode** {*access* | *network*}
- **mtu** *mtu-bytes*
- **no mtu**
- **network**
  - **accounting-policy** *policy-id*
  - **no accounting-policy**
  - [no] **collect-stats**
  - **queue-policy** *name*
  - **no queue-policy**
- **ppp**
  - [no] **ber-sf-link-down**
  - **compress** {*acfc* [*pfc*] | *pfc* [*acfc*]}
  - **no compress**
  - **keepalive** *time-period* [**dropcount** *drop count*]
  - **no keepalive**
- [no] **scramble**
- [no] **shutdown**
- **speed** {*56* | *64*}
- **timeslots** *timeslots*
- **no timeslots**
- **clock-source** {*loop-timed* | *node-timed* | *adaptive* | *differential*}
- **framing (DS-1)** {*esf* | *sf* | *ds1-unframed*}
- **insert-single-bit-error**
- [no] **invert-data**
- **loopback** {*line* | *internal* | *fdl-ansi* | *fdl-bellcore* | *payload-ansi* | *inband-ansi* | *inband-bellcore*}
- **no loopback**
- [no] **remote-loop-respond**
- [no] **report-alarm** [*ais*] [*los*] [*oof*] [*rai*] [*looped*]
- [no] **shutdown**
- **signal-mode** {*cas*}
- **no signal-mode**
- **threshold** {*ber-sd* | *ber-sf*} *rate* {*1* | *5* | *10* | *50* | *100*}
- **no threshold** {*ber-sd* | *ber-sf*}

## DS3 Commands

- **[no] ds3** [*sonet-sdh-index*]
  - **atm**
    - **cell-format** *cell-format*
    - **mapping** *mapping*
    - **min-vp-vpi** *value*
  - **bert** {*2e3* | *2e9* | *2e11* | *2e15* | *2e20* | *2e20q* | *2e23* | *ones* | *zeros* | *alternating*} **duration** *duration*
  - **no bert**
  - **bit-error-insertion** *rate*
  - **no bit-error-insertion**
  - **channelized** {*ds1* | *e1*}
  - **no channelized**
  - **cisco-hdlc**
    - **down-count** *down-count*
    - **no down-count**
    - **keepalive** *time-interval*
    - **no keepalive**
    - **up-count** *up-count*
    - **no up-count**
  - **clock-source** {*loop-timed* | *node-timed*}
  - **crc** {*16* | *32*}
  - **description** *description-string*
  - **no description**
  - **[no] egress-scheduler-override**
    - **level** *priority-level* **rate** *pir-rate* [*cir* *cir-rate*]
    - **no level** *priority-level*
    - **max-rate** *rate*
    - **no max-rate**
  - **egress-scheduler-policy** *port-scheduler-policy-name*
  - **no egress-scheduler-policy**
  - **encap-type** {*atm* | *bcp-null* | *bcp-dot1q* | *ipcp* | *ppp-auto* | *frame-relay* | *wan-mirror* | *cisco-hdlc* | *cem*}
  - **[no] feac-loop-respond**
  - **frame-relay**
    - **[no] frf-12**
      - **egress**
        - **qos-profile** *profile-id*
        - **no qos-profile**
      - **fragment-threshold** *threshold*
      - **no fragment-threshold**
    - **lmi-type** {*ansi* | *itu* | *none* | *rev1*}
    - **mode** {*dce* | *dte* | *bidir*}
    - **n391dte** *intervals*
    - **no n391dte**
    - **n392dce** *threshold*
    - **no n392dce**
    - **n392dte** *threshold*
    - **no n392dte**
    - **n393dce** *count*
    - **no n393dce**
    - **n393dte** *count*
    - **no n393dte**
    - **t391dte** *keepalive*

- **no t391dte**
- **t392dce** *keepalive*
- **no t392dce**
- **framing (DS3)** { **c-bit** | **m23** }
- **idle-cycle-flag** { **flags** | **ones** }
- **load-balancing-algorithm** *option*
- **no load-balancing-algorithm**
- **loopback** { **line** | **internal** | **remote** }
- **no loopback**
- **mac** *ieee-address*
- **no mac**
- **mdl** { **eic** | **lic** | **fic** | **unit** | **pfi** | **port** | **gen** } *mdl-string*
- **no mdl** [ **eic** | **lic** | **fic** | **unit** | **pfi** | **port** | **gen** ]
- **mdl-transmit** { **path** | **idle-signal** | **test-signal** }
- **no mdl-transmit** [ **path** | **idle-signal** | **test-signal** ]
- **mode** { **access** | **network** }
- **mtu** *mtu-bytes*
- **no mtu**
- **network**
  - **accounting-policy** *policy-id*
  - **no accounting-policy**
  - [ **no** ] **collect-stats**
  - **queue-policy** *name*
  - **no queue-policy**
- **ppp**
  - **keepalive** *time-period* [ **dropcount** *drop-count* ]
  - **no keepalive**
- [ **no** ] **report-alarm** [ **ais** ] [ **los** ] [ **oof** ] [ **rai** ] [ **looped** ]
- [ **no** ] **scramble**
- [ **no** ] **shutdown**
- **subrate** { **digital-link** | **larscom** } *rate-step*
- **no subrate**

## E1 Commands

- [ **no** ] **e1** [ *e1-id* ]
  - **bert** { **2e3** | **2e9** | **2e11** | **2e15** | **2e20** | **2e20q** | **2e23** | **ones** | **zeros** | **alternating** } *duration* *duration*
  - **no bert**
  - **bit-error-insertion** *rate*
  - **no bit-error-insertion**
  - [ **no** ] **channel-group** *channel-group-id*
    - **atm**
      - **cell-format** *cell-format*
      - **min-vp-vpi** *value*
    - **cisco-hdlc**
      - **down-count** *down-count*
      - **no down-count**
      - **keepalive** *time-interval*
      - **no keepalive**
      - **up-count** *up-count*
      - **no up-count**
    - **crc** { **16** | **32** }
    - **description** *description-string*
    - **no description**
    - [ **no** ] **egress-scheduler-override**



- **level** *priority-level* **rate** *pir-rate* [**cir** *cir-rate*]
- **no level** *priority-level*
- **max-rate** *rate*
- **no max-rate**
- **egress-scheduler-policy** *port-scheduler-policy-name*
- **[no] encap-type** { **atm** | **bcp-null** | **bcp-dot1q** | **ipcp** | **ppp-auto** | **frame-relay** | **wan-mirror** | **cisco-hdlc** | **cem** }
- **frame-relay**
  - **[no] frf-12**
  - **egress**
    - **qos-profile** *profile-id*
    - **no qos-profile**
  - **fragment-threshold** *threshold*
  - **no fragment-threshold**
  - **[no] identifier** *frf16-link-id-string*
  - **lmi-type** { **ansi** | **itu** | **none** | **rev1** }
  - **mode** { **dce** | **dte** | **bidir** }
  - **n391dte** *intervals*
  - **no n391dte**
  - **n392dce** *threshold*
  - **no n392dce**
  - **n392dte** *threshold*
  - **no n392dte**
  - **n393dce** *count*
  - **no n393dce**
  - **n393dte** *count*
  - **no n393dte**
  - **t391dte** *keepalive*
  - **no t391dte**
  - **t392dce** *keepalive*
  - **no t392dce**
- **idle-cycle-flag** { **flags** | **ones** }
- **idle-payload-fill** { **all-ones** }
- **idle-payload-fill** **pattern** *pattern*
- **no idle-payload-fill**
- **idle-signal-fill** { **all-ones** }
- **idle-signal-fill** **pattern** *pattern*
- **no idle-signal-fill**
- **load-balancing-algorithm** *option*
- **no load-balancing-algorithm**
- **mac** *ieee-address*
- **no mac**
- **[no] mode** { **access** | **network** }
- **mtu** *mtu-bytes*
- **no mtu**
- **network**
  - **accounting-policy** *policy-id*
  - **no accounting-policy**
  - **[no] collect-stats**
  - **queue-policy** *name*
  - **no queue-policy**
- **ppp**
  - **[no] ber-sf-link-down**
  - **keepalive** *time-period* [**dropcount** *drop count*]
  - **no keepalive**

- [no] **scramble**
- [no] **shutdown**
- **speed** {56 | 64}
- **timeslots** *timeslots*
- **no timeslots**
- **clock-source** {loop-timed | node-timed | adaptive | differential}
- **framing (E-1)** {no-crc-g704 | g704 | e1-unframed}
- **insert-single-bit-error**
- [no] **invert-data**
- **loopback** {line | internal}
- **no loopback**
- [no] **report-alarm** [ais] [los] [oof] [rai] [looped]
- [no] **shutdown**
- **signal-mode** {cas}
- **no signal-mode** {cas}
- **threshold** {ber-sd | ber-sf} rate {1 | 5 | 10 | 50 | 100}
- **no threshold** {ber-sd | ber-sf}

## E3 Commands

- [no] **e3** [*sonet-sdh-index*]
  - **atm**
    - **cell-format** *cell-format*
    - **min-vp-vpi** *value*
  - **bert** {2e3 | 2e9 | 2e11 | 2e15 | 2e20 | 2e20q | 2e23 | ones | zeros | alternating} duration *duration*
  - **no bert**
  - **bit-error-insertion** *rate*
  - **no bit-error-insertion**
  - **cisco-hdlc**
    - **down-count** *down-count*
    - **no down-count**
    - **keepalive** *time-interval*
    - **no keepalive**
    - **up-count** *up-count*
    - **no up-count**
  - **clock-source** {loop-timed | node-timed}
  - **crc** {16 | 32}
  - **description** *description-string*
  - **no description**
  - [no] **egress-scheduler-override**
    - **level** *priority-level* **rate** *pir-rate* [**cir** *cir-rate*]
    - **no level** *priority-level*
    - **max-rate** *rate*
    - **no max-rate**
  - **egress-scheduler-policy** *port-scheduler-policy-name*
  - **encap-type** {atm | bcp-null | bcp-dot1q | ipcp | ppp-auto | frame-relay | wan-mirror | cisco-hdlc | cem}
  - [no] **feac-loop-respond**
  - **frame-relay**
    - [no] **frf-12**
      - **egress**
        - **qos-profile** *profile-id*
        - **no qos-profile**
      - **fragment-threshold** *threshold*
      - **no fragment-threshold**

- **lmi-type** {ansi | itu | none | rev1}
- **mode** {dce | dte | bidir}
- **n391dte** *intervals*
- **no n391dte**
- **n392dce** *threshold*
- **no n392dce**
- **n392dte** *threshold*
- **no n392dte**
- **n393dce** *count*
- **no n393dce**
- **n393dte** *count*
- **no n393dte**
- **t391dte** *keepalive*
- **no t391dte**
- **t392dce** *keepalive*
- **no t392dce**
- **framing (E-3)** {g751 | g832}
- **idle-cycle-flag** {flags | ones}
- **no idle-cycle-flag**
- **load-balancing-algorithm** *option*
- **no load-balancing-algorithm**
- **loopback** {line | internal | remote}
- **no loopback**
- **mac** *ieee-address*
- **no mac**
- **mdl** {eic | lic | fic | unit | pfi | port | gen} *mdl-string*
- **no mdl** {eic | lic | fic | unit | pfi | port | gen}
- **mdl-transmit** {path | idle-signal | test-signal}
- **no mdl-transmit** [path | idle-signal | test-signal]
- **mode** {access | network}
- **mtu** *mtu-bytes*
- **no mtu**
- **network**
  - **accounting-policy** *policy-id*
  - **no accounting-policy**
  - [no] **collect-stats**
  - **queue-policy** *name*
  - **no queue-policy**
- **ppp**
  - **keepalive** *time-period* [**dropcount** *drop-count*]
  - **no keepalive**
- [no] **report-alarm** [ais] [los] [oof] [rai] [looped]
- [no] **scramble**
- [no] **shutdown**
- **lbo** [0dB | -7.5dB | -15.0dB | -22.5dB]
- **length** {133 | 266 | 399 | 533 | 655}

## LAG Commands

```

config
 — [no] lag [lag-id]
 — access
 — adapt-qos {link | distribute [include-egr-hash-cfg]}
 — [no] per-fp-egr-queuing
 — [no] per-fp-ing-queuing
 — [no] per-fp-sap-instance
 — bfd
 — family {ipv4 | ipv6}
 — [no] bfd-on-distributing-only
 — local-ip-address ip-address
 — no local-ip-address
 — max-admin-down-time [interval | infinite]
 — no max-admin-down-time
 — max-setup-time [interval | infinite]
 — no max-setup-time
 — multiplier multiplier
 — no multiplier
 — receive-interval interval
 — no receive-interval
 — remote-ip-address ip-address
 — no remote-ip-address
 — transmit-interval interval
 — no transmit-interval
 — shutdown
 — no shutdown
 — description long-description-string
 — no description
 — [no] dynamic-cost
 — encap-type {dot1q | null | qinq}
 — no encap-type
 — eth-cfm
 — [no] mep mep-id domain md-index association ma-index [vlan vlan-id]
 — [no] ais-enable
 — client-meg-level [level [level ...]]
 — no client-meg-level
 — interval {1|60}
 — no interval
 — priority priority-value
 — no priority
 — [no] ccm-enable
 — ccm-ltm-priority priority
 — no ccm-ltm-priority
 — ccm-padding-size ccm-padding
 — no ccm-padding-size
 — ccm-tlv-ignore [port-status] [interface-status]
 — no ccm-tlv-ignore
 — ccm-tlv-ignore [port-status] [interface-status]
 — no ccm-tlv-ignore
 — description description-string
 — no description
 — [no] eth-test-enable
 — bit-error-threshold bit-errors

```

- **test-pattern** {all-zeros|all-ones} [crc-enable]
- **no test-pattern**
- [no] **facility-fault**
- **low-priority-defect** {allDef|macRemErrXcon|remErrXcon|errXcon|xcon|noXcon}
- **mac-address** *mac-address*
- **no mac-address**
- **one-way-delay-threshold** *seconds*
- [no] **shutdown**
- **hold-time down** *hold-down-time*
- **no hold-time**
- **lacp** [*mode*] [**administrative-key** *admin-key*] [**system-id** *system-id*][**system-priority** *priority*]
- **lacp-xmit-interval** {slow | fast}
- **no lacp-xmit-interval**
- [no] **lacp-xmit-stdby**
- **link-map-profile** *lag-link-map-profile-id* [create]
- **no link-map-profile** *lag-link-map-profile-id*
  - **description** *description-string*
  - **no description**
  - **failure-mode** [discard | per-link-hash]
  - **no failure-mode**
  - **link** *port-id* {primary|secondary}
  - **no link**
- **mac** *ieee-address*
- **no mac**
- **mode** {access | network| hybrid}
- **no mode**
- [no] **per-link-hash**
- **port** *port-id* [*port-id* ...up to 64 total] [**priority** *priority*] [**sub-group** *sub-group-id*]
- **no port** *port-id* [*port-id* ...up to 64 total]
- **port-threshold** *value* [action {dynamic-cost | down}]
- **no port-threshold**
- **port-type** {standard | hsmda}
- **no port-type**
- **selection-criteria** {highest-count | highest-weight | best-port} [slave-to-partner] [sub-group-hold-time *hold-time*]
- **no selection-criteria**
- [no] **shutdown**
- **standby-signalling** {lacp | power-off}
- **no standby-signalling**

## Ethernet Ring Commands

```

config
 — eth-ring ring-id
 — no eth-ring
 — compatible-version value
 — description long-description-string
 — no description
 — guard-time time
 — revert-time time
 — ccm-hold-time { down down-timeout | up up-timeout }
 — [no] rpl-node { owner | nbr }
 — node-id mac
 — [no] sub-ring { virtual-link | non-virtual-link }
 — [no] interconnect { ring-id ring-id | vpls }
 — [no] propagate-topology-change
 — path { a | b } [[{ port-id | lag-id } raps-tag qtag[qtag]]]
 — description long-description-string
 — [no] rpl-end
 — eth-cfm
 — [no] mep mep-id domain md-index association ma-index
 — [no] ccm-enable
 — [no] ccm-ltm-priority priority
 — [no] eth-test-enable
 — bit-error-threshold bit-errors
 — mac-address mac-address
 — one-way-delay-threshold time
 — [no] shutdown
 — [no] shutdown
 — [no] shutdown

```

## Ethernet Tunnel Commands

```

config
 — eth-tunnel tunnel-id
 — no eth-tunnel
 — ccm-hold-time { down down-timeout | up up-timeout }
 — no ccm-hold-time
 — description long-description-string
 — no description
 — ethernet
 — encap-type { dot1q|qinq }
 — no encap-type
 — [no] mac ieee-address
 — hold-time
 — member down time
 — no member
 — lag-emulation
 — access
 — adapt-qos { distribute | link }
 — no adapt-qos
 — [no] per-fp-ing-queuing
 — path-threshold num-paths
 — nopath-threshold
 — [no] path path-index
 — description description-string
 — no description
 — control-tag vlan-id
 — no control-tag
 — eth-cfm
 — [no] mep mep-id domain md-index association ma-index
 — [no] ccm-enable
 — ccm-ltm-priority priority
 — no ccm-ltm-priority
 — [no] eth-test-enable
 — test-pattern { all zeros | all-ones } [crc-enable]
 — no test-pattern
 — low-priority-defect { allDef | macRemErrXcon | remErrX-
 con | errXcon | xcon | noXcon }
 — mac-address mac-address
 — no mac-address
 — [no] control-mep
 — [no] shutdown
 — member port-id
 — no member
 — precedence { primary | secondary }
 — no precedence
 — [no] shutdown
 — protection-type { g8031-1to1 | loadsharing }
 — revert-time time
 — no revert-time
 — [no] shutdown

```

## Multi-Chassis Redundancy Commands

```

config
 — redundancy
 — bgp-multi-homing
 — boot-timer seconds
 — no boot-timer
 — site-activation-timer seconds
 — no site-activation-timer
 — multi-chassis
 — [no] peer ip-address
 — authentication-key [authentication-key | hash-key] [hash | hash2]
 — no authentication-key
 — description description-string
 — no description
 — [no] mc-endpoint
 — [no] bfd-enable
 — boot-timer interval
 — no boot-timer
 — hold-on-neighbor-failure multiplier
 — no hold-on-neighbor-failure
 — keep-alive-interval interval
 — no keep-alive-interval
 — [no] passive-mode
 — [no] shutdown
 — system-priority value
 — no system-priority
 — [no] mc-lag
 — hold-on-neighbor-failure multiplier
 — no hold-on-neighbor-failure
 — keep-alive-interval interval
 — no keep-alive-interval
 — lag lag-id lACP-key admin-key system-id system-id [remote-lag remote-lag-id] system-priority system-priority source-bmac-lsb use-lACP-key
 — lag lag-id lACP-key admin-key system-id system-id [remote-lag remote-lag-id] system-priority system-priority source-bmac-lsb MAC-Lsb
 — lag lag-id lACP-key admin-key system-id system-id [remote-lag remote-lag-id] system-priority system-priority
 — lag lag-id [remote-lag remote-lag-id]
 — no lag lag-id
 — [no] shutdown
 — mc-ring
 — ring sync-tag [create]
 — no ring sync-tag
 — in-band-control-path
 — dst-ip ip-address
 — no dst-ip
 — interface ip-int-name
 — no interface
 — service-id service-id
 — no service-id
 — [no] path-b
 — [no] range vlan-range

```



- [no] **path-excl**
  - [no] **range** *vlan-range*
- **ring-node** *ring-node-name* [**create**]
- **no ring-node** *ring-node-name*
  - **connectivity-verify**
    - **dst-ip** *ip-address*
    - **no dst-ip**
    - **interval** *interval*
    - **no interval**
    - **service-id** *service-id*
    - **no service-id**
    - [no] **shutdown**
    - **src-ip** *ip-address*
    - **no src-ip**
    - **src-mac** *ieee-address*
    - **no src-mac**
    - **vlan** [*vlan-encap*]
    - **no vlan**
  - [no] **shutdown**
- [no] **shutdown**
- **source-address** *ip-address*
- **no source-address**
- [no] **sync**
  - [no] **igmp**
  - [no] **igmp-snooping**
  - [no] **mc-ring**
  - [no] **mld**
  - [no] **mld-snooping**
  - **port** [*port-id* | *lag-id*] [**sync-tag** *sync-tag*]
  - **no port** [*port-id* | *lag-id*]
    - **range** *encap-range* [**sync-tag** *sync-tag*]
    - **no range** *encap-range*
  - [no] **shutdown**
  - [no] **srrp**
  - [no] **sub-mgmt**

## Show Commands

```

show
— aps [port port-id] [group group-name] [detail]
— chassis [environment] [power-supply]
— card state
— card [slot-number]
— card [slot-number] detail
— card slot-number fp [1..2] ingress queue-group mode {access|network}
— card slot-number [detail] fp [1..2] ingress queue-group queue-group-name instance [1..65535]
 mode {access|network} [statistics]
— cflowd
— elmi
 — evc [port-id [vlan vlan-id]]
 — uni [port-id]
— eth-tunnel
— interface-group-handler [igh-id]
— mcm slot [mcm] [detail]
— mda slot [mda] [detail]
— pools mda-id[/port] [access-app [pool-name | service service-id | queue-group queue-group-name]]
— pools mda-id[/port] [network-app [pool-name | queue-group queue-group-name]]
— pools mda-id[/port] [direction [pool-name|service service-id | queue-group queue-group-name]]
— lag [lag-id] [detail] [statistics]
— lag [lag-id] description
— lag [lag-id] port
— lag lag-id associations
— lag lag-id bfd
— lag lag-id [detail] eth-cfm [tunnel tunnel-id]
— lag lag-id associations per-link-hash interface
— lag lag-id associations link-map-profile [link-map-profile] interface
— lag lag-id lacp-partner
— lag lag-id detail lacp-partner
— lag lag-id link-map-profile link-map-profile
— lag lag-id associations per-link-hash sap
— lag lag-id associations link-map-profile [link-map-profile] sap
— lag [lag-id] [detail] [statistics] [eth-cfm tunnel tunnel-id]
— lag lag-id associations
— megapools slot-number
— megapools slot-number fp forwarding-plane [service-id service-id] [queue-group queue-group-name]
 [ingress | egress]
— multilink-bundle [bundle-id | bpgrp-id | slot/mda] type {mlppp | ima-grp | mlfr } [detail]
— multilink-bundle [bundle-id | bpgrp-id | slot/mda] [ppp | ima | mlfr]
— multilink-bundle [bundle-id | bpgrp-id] relations
— multilink-bundle bundle-id mlfr [frame-relay [detail]]
 — ima
 — atm [detail]
 — connections
 — port-connection [detail]
 — pvc [detail]
 — vpv [vpi] [detail]
 — pvt [vpi.vci] [detail]
 — ppp [multiclass]
 — relations
— port port-id [count] [detail]
— port port-id description

```

- **port** *port-id* **associations**
- **port** *port-id* **atm**
- **port** *port-id* **atm connections**
- **port** *port-id* **atm cp**
- **port** *port-id* **atm ilmi**
- **port** *port-id* **atm interface-connections**
- **port** *port-id* **atm pvc** [*vpi*/*vci*] [**detail**]
- **port** *port-id* **atm pvp** [*vpi*] [**detail**]
- **port** *port-id* **atm pvt** [*vpi-range*] [**detail**]
- **port** *port-id* **cisco-hdlc** [**detail**]
- **port** *port-id* **mlfr-link**[**detail**]
- **port port** *port-id* **otu** [**detail**]
- **port** *port-id* **ppp** [**detail**]
- **port** *port-id* **frame-relay** [**detail**]
- **port** *port-id* **queue-group** [**ingress**|**egress**] [**queue-group-name**] [**access**|**network**] [{**statistic**|**associations**}]
- **port** *port-id* **dot1x** [**detail**]
- **port** *port-id* **ethernet** [**efm-oam** | **detail**]
  - **dot1x** [**detail**]
  - **lldp** [**nearest-bridge** | **nearest-non-tpmr** | **nearest-customer**] [**remote-info**] [**detail**]
  - **port aps** [**detail**]
- **port cem**
- **port** *port-id* **ima-link**
- **port** *port-id* **ima-link**
- **port-tree** *port-id*
- **redundancy**
  - **multi-chassis** **all**
  - **multi-chassis** **mc-lag**
  - **multi-chassis** **sync**
    - **mc-lag** **peer** *ip-address* [**lag** *lag-id*]
    - **mc-lag** [**peer** *ip-address* [**lag** *lag-id*]] **statistics**
    - **mc-ring** **peer** *ip-address* **statistics**
    - **mc-ring** **peer** *ip-address* [**ring** *sync-tag*] [**detail** | **statistics**] ]
    - **mc-ring** **peer** *ip-address* **ring** *sync-tag* **ring-node** [*ring-node-name*] [**detail** | **statistics**] ]
    - **mc-ring** **global-statistics**
- **system**
  - **switch-fabric** **high-bandwidth-multicast**

## Monitor Commands

For more information about monitor commands, refer to the 7750 SR OS Basic System Configuration Guide for command usage and CLI syntax.

### monitor

- **card** *slot-number* **fp** *fp-number* **ingress** {**access** | **network**} **queue-group** *queue-group-name* **instance** *instance-id* [**absolute**] [**interval** *seconds*] [**repeat** *repeat*] **policer** *policer-id*
- **port** *port-id* [*port-id...*(up to 5 max)] [**interval** *seconds*] [**repeat** *repeat*] [**absolute** | **rate**] [**multiclass**]
- **queue-group** *queue-group-name* **egress** *access* **egress-queue** *egress-queue-id* [**interval** *seconds*] [**repeat** *repeat*] [**absolute** | **rate**]
- **queue-group** *queue-group-name* **ingress** *access* **ingress-queue** *ingress-queue-id* [**interval** *seconds*] [**repeat** *repeat*] [**absolute** | **rate**]

- **queue-group** *queue-group-name* **egress network instance instance-id** [**policer policer-id**] [**egress-queue egress-queue-id**] [**interval seconds**] [**repeat repeat**] [**absolute | rate**]
- **port atm** [**interval seconds**] [**repeat repeat**] [**absolute | rate**]

## Clear Commands

- clear**
- **card slot-number soft** [**hard-reset-unsupported-mdas**]
  - **card slot-number fp** [1..2] **ingress mode** {**access|network**} **queue-group group-name instance instance statistics**
  - **card slot-number** [**soft**]
  - **lag lag-id statistics**
  - **mda mda-id** [**statistics**]
  - **port port-id statistics**
  - **port port-id statistics**
  - **port port-id atm pvc** [*vpi[/vci]*] **statistics**
  - **port port-id atm pvp** [*vpi*] **statistics**
  - **port port-id atm pvt** [*vpi1.vpi2*] **statistics**
  - **port port-id atm ilmi** **statistics**
  - **port port-id atm interface-connection** **statistics**
  - **port port-id queue-group queue-group-name** [**access | network**] [**ingress | egress**] [**access|network**] [**{statistics|associations}**]
  - **queue-group queue-group-name egress access egress-queue egress-queue-id** [**interval seconds**] [**repeat repeat**] [**absolute | rate**]
  - **queue-group queue-group-name ingress access ingress-queue ingress-queue-id** [**interval seconds**] [**repeat repeat**] [**absolute | rate**]
  - **queue-group queue-group-name egress network instance instance-id** [**policer policer-id**] [**egress-queue egress-queue-id**] [**interval seconds**] [**repeat repeat**] [**absolute | rate**]

## Debug Commands

- debug**
- **atm**
  - **cisco-hdlc port-id**
  - **frame-relay**
    - **lmi** [*port-id*]
    - [**no**] **frf16** *port-id*
  - **lag** [**lag-id lag-id port port-id**] [**all**]
  - **lag** [**lag-id lag-id port port-id**] [**sm**] [**pkt**] [**cfg**] [**red**] [**iom-upd**] [**port-state**] [**timers**] [**sel-logic**] [**mc**] [**mc-pkt**]
  - **no lag** [**lag-id lag-id**]
  - [**no**] **ppp** *port-id*

## Tools Commands

- tools**
- **dump**
    - **aps** *aps-id* [**clear**]
    - **aps mc-aps-signaling** [**clear**]
    - **aps mc-aps-ppp** [**clear**]
    - **eth-tunnel** *tunnel-index* [**clear**]
    - **frame-relay** *port-id*
    - **lag** **lag-id lag-id**

- **map-to-phy-port** {**ccag** *ccag-id* | **lag** *lag-id* | **eth-tunnel** *tunnel-index*} {**isid** *isid* [**end-isid** *isid*] | **service** *service-id* | *svc-name* [**end-service** *service-id* / *svc-name*]} [**summary**]
  - **lag** *port-id*
  - **redundancy**
    - **multi-chassis**
      - **mc-ring**
      - **srrp-sync-data** [**instance** *instance-id*] [**peer** *ip-address*]
      - **sync-database** [**peer** *ip-address*] [**port** *port-id* | *lag-id*] [**sync-tag** *sync-tag*] [**application** {**dhcps** | **igmp**| **igmp-snooping** | **mc-ring** | **srrp** | **sub-mgmt** | **mld-snooping**}] [**detail**] [**type** {**alarm-deleted** | **local-deleted**}]
- tools
- **perform**
    - **aps**
      - **clear** *aps-id* {**protect** | **working**}
      - **exercise** *aps-id* {**protect** | **working**}
      - **force** *aps-id* {**protect** | **working**}
      - **lockout** *aps-id*
      - **request** *aps-id* {**protect** | **working**}
    - **eth-ring**
      - **clear** *ring-id*
      - **force** *ring-id* **path** {**a** | **b**}
      - **manual** *ring-id* **path** {**a** | **b**}
    - **ima**
      - **reset** *bundle-id*
    - **set-fabric-speed** *speed*



---

## Configuration Commands

- [Generic Commands on page 288](#)
- [Card Commands on page 290](#)
- [MDA Commands on page 298](#)
- [MDA/Port QoS Commands on page 307](#)
- [General Port Commands on page 312](#)
- [APS Commands on page 352](#)
- [Ethernet Port Commands on page 359](#)
- [802.1x Port Commands on page 394](#)
- [LLDP Port Commands on page 399](#)
- [Network Port Commands on page 401](#)
- [Interface Group Handler Commands on page 403](#)
- [Multilink-Bundle Port Commands on page 405](#)
- [SONET/SDH Port Commands on page 422](#)
- [SONET/SDH Path Commands on page 429](#)
- [ATM Interface Commands on page 436](#)
- [Frame Relay Commands on page 440](#)
- [TDM Commands on page 447](#)
- [LAG Commands on page 467](#)
- [Eth Tunnel Commands on page 491](#)
- [Multi-Chassis Redundancy Commands on page 509](#)

---

## Generic Commands

### description

**Syntax** **description** *description-string*  
**no description**

**Context** config>port  
config>port>ethernet>access>egr>vport  
config>port>ethernet>access>egr>qgrp  
config>port>ethernet>access>ing>qgrp  
config>port>ethernet>network>egr>qgrp  
config>port>sonet-sdh>path  
*config>port>tdm>ds1>channel-group*  
*config>port>tdm>ds3*  
config>port>tdm>e1>channel-group  
config>port>tdm>e3  
config>lag  
config>lag>link>map>profile  
config>port>ethernet>eth-cfm>mep  
config>card>fp>ingress>access>queue-group  
config>card>fp>ingress>network>queue-group

**Description** This command creates a text description for a configuration context to help identify the content in the configuration file.

The **no** form of this command removes any description string from the context.

**Default** No description is associated with the configuration context.

**Parameters** *long-description-string* — The description character string. Strings can be up to 160 characters long composed of printable, 7-bit ASCII characters. If the string contains special characters (#, \$, spaces, etc.), the entire string must be enclosed within double quotes.



## shutdown

**Syntax** [no] shutdown

**Context** config>card  
 config>card>mda  
 config>interface-group-handler  
 config>port  
 config>port>ethernet  
 config>port>sonet-sdh>path  
 config>port>tdm>ds1  
*config>port>tdm>ds1>channel-group*  
 config>port>tdm>ds3  
 config>port>tdm>e1  
 config>port>tdm>e1>channel-group  
 config>port>tdm>e3  
 config>port>multilink-bundle>ima>test-pattern-procedure  
 config>port>sonet-sdh>path>atm>ilmi  
 config>lag  
 config>port>ethernet>eth-cfm>mep  
 config>port>ethernet>efm-oam  
 config>redundancy>multi-chassis>peer  
 config>redundancy>mc>peer>mcr  
 config>redundancy>mc>peer>mc-lag  
 config>redundancy>mc>peer>mcr>ring  
 config>redundancy>mc>peer>mcr>node>cv  
 config>redundancy>multi-chassis>peer>sync

**Description** This command administratively disables an entity. When disabled, an entity does not change, reset, or remove any configuration settings or statistics.

The operational state of the entity is disabled as well as the operational state of any entities contained within.

The **no** form of this command administratively enables an entity.

**Special Cases** **card** — The default state for a card is **no shutdown**.

**interface group handler (IGH)** — The default state for an IGH is **shutdown**.

**mda** — The default state for a mda is **no shutdown**.

**lag** — The default state for a Link Aggregation Group (LAG) is **shutdown**.

**port** — The default state for a port is **shutdown**.

**path** — The default state for a SONET/SDH path is **shutdown**.

---

## Card Commands

### card

**Syntax** `card slot-number`  
`no card slot-number`

**Context** config

**Description** This mandatory command enables access to the chassis card Input/Output Control Forwarding Module (IOM), slot, MCM and MDA CLI context.

The **no** form of this command removes the card from the configuration. All associated ports, services, and MDAs must be shutdown.

**Default** No cards are configured.

**Parameters** *slot-number* — The slot number of the card in the chassis.

**Values** 1 — 10 depending on chassis model.

SR-1: *slot-number* = 1

SR-7: *slot-number* = 1 — 5

SR-12: *slot-number* = 1 — 10

### capability

**Syntax** `capability {sr | ess} [now]`

**Context** config>card

**Description** This command sets the desired capability for the associated slot and card.

By default, the capability will be set to that of the base chassis type. To set this to a non-default value, the **mixed-mode** command must be enabled at the system level.

Changing the capability of a slot or card will result in the associated slot being reset. The card-type must first be configured before the capability command can be issued.

**Default** `capability ess` on a 7450 chassis

**Parameters** **now** — This optional keyword can be added to the interactive command to force the command to be executed immediately without further question. If this keyword is not present, then the user will be presented with a question to ensure they understand that as a result of this command, the associated slots will be reset immediately to enable **mixed-mode**.

## card-type

**Syntax** `card-type card-type`  
`no card-type`

**Context** config>card

**Description** This mandatory command adds an IOM to the device configuration for the slot. The card type can be preprovisioned, meaning that the card does not need to be installed in the chassis.

A card must be provisioned before an MDA, MCM or port can be configured.

A card can only be provisioned in a slot that is vacant, meaning no other card can be provisioned (configured) for that particular slot. To reconfigure a slot position, use the **no** form of this command to remove the current information.

A card can only be provisioned in a slot if the card type is allowed in the slot. An error message is generated if an attempt is made to provision a card type that is not allowed.

If a card is inserted that does not match the configured card type for the slot, then a medium severity alarm is raised. The alarm is cleared when the correct card type is installed or the configuration is modified.

A high severity alarm is raised if an administratively enabled card is removed from the chassis. The alarm is cleared when the correct card type is installed or the configuration is modified. A low severity trap is issued when a card is removed that is administratively disabled.

Because the IOM-3 integrated card does not have the capability in install separate MDAs, the configuration of the MDA is automatic. This configuration only includes the default parameters such as default buffer policies. Commands to manage the MDA such as **shutdown**, named buffer pool etc will remain in the MDA configuration context.

An appropriate alarm is raised if a partial or complete card failure is detected. The alarm is cleared when the error condition ceases.

The **no** form of this command removes the card from the configuration.

**Default** No cards are preconfigured for any slots.

**Parameters** *card-type* — The type of card to be configured and installed in that slot.

**Values** *iom-20g, iom2-20g, iom-20g-b, iom3-20g, iom3-40g, iom3-xp, imm48-1gb-sfp, imm48-1gb-tx, imm4-10gb-xfp, imm5-10gb-xfp, imm8-10gb-xfp, imm12-10gb-SF+, imm1-40gb-tun, imm3-40gb-qsfp, imm1-oc768-tun, imm1-100g-cfp, iom3-xp*

## fail-on-error

**Syntax** `[no] fail-on-error`

**Context** config>card

**Description** This command controls the behavior of the card when any one of a specific set of card level errors is encountered in the system. When the **fail-on-error** command is enabled, and any one (or more) of the specific errors is detected, then the Operational State of the card is set to Failed. This Failed state will persist until

## Card Commands

the clear card command is issued (reset) or the card is removed and re-inserted (re-seat). If the condition persists after re-seating the card, then Alcatel-Lucent support should be contacted for further investigation.

Enabling **fail-on-error** is only recommended when the network is designed to be able to route traffic around a failed card (redundant cards, nodes or other paths exist).

The list of specific errors includes:

- CHASSIS event ID# 2063 – tmnxEqCardPChipMemoryEvent
- CHASSIS event ID# 2076 – tmnxEqCardPChipCamEvent
- CHASSIS event ID# 2059 – tmnxEqCardPChipError (for ingress ethernet only)

On platforms without independent IOM/IMM and CPM cards, such as the 7750 SR-1/c4/c12 or 7450 ESS-1, the node will be rebooted if fail-on-error is enabled and one of the card level errors is encountered.

The tmnxEqCardPChipError is only considered as a trigger for card fail-on-error for ingress FCS errors (not egress FCS errors), and only for ethernet MDAs or IMMs.

Note that upon the detection of the event/error in the system, the reporting of the event (logs) and the **fail-on-error** behavior of the card are independent. Log event control configuration will determine whether the events are reported in logs (or SNMP traps, etc) and the **fail-on-error** configuration will determine the behavior of the card. This implies that the card can be configured to **fail-on-error** even if the events are suppressed (some may be suppressed in the system by default). In order to facilitate post-failure analysis, it is recommended to enable the reporting of the specific events/errors (configure log event-control) when **fail-on-error** is enabled.

**Default** no fail-on-error

## named-pool-mode

**Syntax** [no] named-pool-mode

**Context** config>card

**Description** This command places an IOM in the named pool mode. When in named pool mode, the system will change the way default pools are created and allow for the creation of MDA and port level named buffer pools. When not enabled, the system will create default ingress and egress pools per port. When enabled, the system will not create per port pools, instead a default network and access pool is created for ingress and egress and is shared by queues on all ports.

The named pool mode may be enabled and disabled at anytime. Care should be taken when changing the pool mode for an IOM as the process of changing to or from named pool mode causes an IOM reset if MDAs are currently provisioned on the slot. If MDAs have not been provisioned at the time the named-pool-mode or no named-pool-mode command is executed, the IOM is not reset (for example, when the system is booting, the named pool mode command does not reset the IOM since the mode is set prior to provisioning the IOM's MDAs).

This command is not enabled for the ISA-AA MDA.

The **no** form of the command converts the pool mode on the IOM card to the default mode. If MDAs are currently provisioned on the IOM, the card is reset.

## named-pool-mode

**Syntax** `named-pool-mode`

**Context** `config>card>mda`  
`config>port`

**Description** The named-pool-mode CLI context is used to store the MDA and port level named pool mode configuration commands. Currently, only the ingress and egress named-pool-policy commands are supported. Any future named pool mode configuration commands or overrides will be placed in the named-pool-mode CLI context. Within the context is an ingress and egress context.

Enter the named-pool-mode to define the ingress and egress named pool policy associations for either an MDA or port. The node may be entered regardless of the current named-pool-mode state of the IOM.

---

## Virtual Scheduler Commands

### rate-calc-min-int

**Syntax** `rate-calc-min-int [fast-queue percent-of-default] [slow-queue percent-of-default]`  
`no rate-calc-min-int`

**Context** `config>card>virt-sched-adj`

**Description** This command overrides the default minimum time that must elapse before a queue's offered rate may be recalculated. A minimum time between offered rate calculations is enforced to both prevent inaccurate estimation of the offered rate and excessive input to the virtual scheduler process.

In order to smooth out rapidly fluctuating offered rates, the system averages the measured offered rate with a window of previously measured offered rates. The window size is based on 4x the minimum rate calculation interval. Any previous measured offered rates within the window are used in the averaging function.

The system separates queues into fast and slow categories and maintains a separate minimum recal interval for each type. The default minimum recalculation times for each type are as follows:

#### Slow Queue

|                                    |                |
|------------------------------------|----------------|
| Minimum Rate Calculation Interval: | 0.1875 Seconds |
| Averaging Window Size:             | 0.75 Seconds   |

#### Fast Queue

|                                    |                |
|------------------------------------|----------------|
| Minimum Rate Calculation Interval: | 0.0625 Seconds |
| Averaging Window Size:             | 0.25 Seconds   |

The actual minimum rate calculation interval may be increased or decreased by using the fast-queue and/or slow-queue keywords followed by a percent value which is applied to the default interval. The default slow-queue threshold rate is 1Mbps. Once a queue is categorized as slow, its rate must rise to 1.5Mbps before being categorized as a fast queue. The categorization threshold may be modified by using the slow-queue-thresh command.

The `no rate-calc-min-int` command is used to restore the default fast queue and slow queue minimum rate calculation interval.

**Parameters** **fast-queue percent-of-default:** — The fast-queue percent-of-default parameter is optional and is used to modify the default minimum rate calculation time for “fast” queues. Defining 100.00 percent is equivalent to removing the override (restoring the default) on the fast queue minimum rate calculation time.

**Values** 0.01% to 1000.00%

**Default** 100.00%

**slow-queue percent-of-default:** — The slow-queue percent-of-default parameter is optional and is used to modify the default minimum rate calculation time for “slow” queues. Defining 100.00 percent is equivalent to removing the override (restoring the default) on the slow queue minimum rate calculation time.

**Values** 0.01% to 1000.00%

**Default** 100.00%

## sched-run-min-int

**Syntax** **sched-run-min-int** *percent-of-default*  
**no sched-run-min-int**

**Context** config>card>virt-sched-adj

**Description** This command is used to override the default minimum time that must elapse before a virtual scheduler may redistribute bandwidth based on changes to the offered rates of member queues. A minimum run interval is enforced to allow a minimum amount of “batching” queue changes before reacting to the changed rates. This minimum interval is beneficial since the periodic function of determining queue offered rates is performed sequentially and the interval allows a number of queues rates to be determined prior to determining the distribution of bandwidth to the queues.

The default minimum scheduler run interval is 0.5 seconds. The sched-run-min-int command uses a percent value to modify the default interval.

The **no** sched-run-min-int command is used to restore the default minimum scheduler run interval for all virtual schedulers on the card.

**Parameters** *percent-of-default*: — The percent-of-default parameter is required and is used to modify the default minimum scheduler run interval for all virtual schedulers on the card. Defining 100.00 percent is equivalent to removing the override (restoring the default) for the minimum scheduler run interval.

**Values** 0.01% to 1000.00%

**Default** 100.00%

## task-scheduling-int

**Syntax** **task-scheduling-int** *percent-of-default*  
**no task-scheduling-int**

**Context** config>card>virt-sched-adj

**Description** This command is used to override the system default time between scheduling the hierarchical virtual scheduling task. By default, the system “wakes” the virtual scheduler task every 50ms; this is equivalent to five 10ms timer ticks. The task-scheduling-int command uses a percent value parameter to modify the number of timer ticks.

While the system accepts a wide range of percent values, the result is rounded to the nearest 10ms tick value. The fastest wake interval is 10ms (1 timer tick).

The **no** scheduling-int command is used to restore the default task scheduling interval of the card’s hierarchical virtual scheduler task.

## Virtual Scheduler Commands

**Parameters** *percent-of-default*: — The percent-of-default parameter is required and is used to modify the default task scheduling interval for the hierarchical virtual scheduling task on the card. Defining 100.00 percent is equivalent to removing the override.

**Values** 0.01% to 1000.00%

**Default** 100.00%

## slow-queue-thresh

**Syntax** **slow-queue-thresh** *kilobits-per-second*  
**no slow-queue-thresh**

**Context** config>card>virt-sched-adj

**Description** This command is used to override the system default rate threshold where queues are placed in the “slow” queue category. Slow rate queues use a different minimum rate calculation interval time than fast rate queues. The rate is determined based on the previous calculated offered rate for the queue.

The default slow queue rate is 1Mbps. The fast rate is derived by multiplying the slow rate by a factor of 1.5 resulting in a default fast rate of 1.5Mbps. The slow-queue-thresh command uses a “Kilobit-Per-Second” value to modify the default slow queue rate threshold and indirectly changes the fast queue rate threshold.

The **no** slow-queue-thresh command is used to restore the default slow queue and fast queue rate thresholds.

**Parameters** *kilobit-per-second*: — The kilobit-per-second parameter is required and is used to modify the default slow queue rate threshold. Defining a value of 0 forces all queues to be treated as fast rate. Defining a value of 1000 (1Mbps) returns the threshold to the default value and is equivalent to executing no slow-queue-thresh.

The fast queue rate threshold is derived by multiplying the new slow queue rate threshold by a factor of 1.5.

**Values** 0 to 1000000 kilobits per second

**Default** 1000 kilobits per second



---

## MCM Commands

### mcm

**Syntax** `mcm mcm-slot`  
**no mcm mcm-slot**

**Context** config>card

**Description** This mandatory command enables access to a card's MCM CLI context to configure MCMs.

**Default** No MCM slots are configured by default.

**Parameters** *mcm-slot* — The MCM slot number to be configured. Even slot numbers 2-12 are invalid. MCM provisioning is not required to provision Compact Media Adapters (CMAs).

**Values**

|         |                   |
|---------|-------------------|
| SR-c4:  | 1, 3              |
| SR-c12: | 1, 3, 5, 7, 9, 11 |

### mcm-type

**Syntax** `mda mcm-type`  
**no mcm mcm-type**

**Context** config>card>mcm

**Description** This mandatory command provisions a specific MCM type to the device configuration for the slot. The MCM can be preprovisioned but an MDA must be provisioned before ports can be configured. Ports can be configured once the MDA is properly provisioned.

To modify an MCM slot, shut down all port associations. MCMs are required to provision MDAs. MCMs are not required to provision CMAs.

**Parameters** *mcm-type* — The type of MCM to provision for that slot.

**Values** mcm-v1, mcm-v2

---

## MDA Commands

### mda

|                    |                                                                                                                                                                                                                                                                                                                                                                                                                                                                                                                                                                                                                       |
|--------------------|-----------------------------------------------------------------------------------------------------------------------------------------------------------------------------------------------------------------------------------------------------------------------------------------------------------------------------------------------------------------------------------------------------------------------------------------------------------------------------------------------------------------------------------------------------------------------------------------------------------------------|
| <b>Syntax</b>      | <b>mda</b> <i>mda-slot</i><br><b>no mda</b> <i>mda-slot</i>                                                                                                                                                                                                                                                                                                                                                                                                                                                                                                                                                           |
| <b>Context</b>     | config>card                                                                                                                                                                                                                                                                                                                                                                                                                                                                                                                                                                                                           |
| <b>Description</b> | This mandatory command enables access to a card's MDA CLI context to configure MDAs.                                                                                                                                                                                                                                                                                                                                                                                                                                                                                                                                  |
| <b>Default</b>     | No MDA slots are configured by default.                                                                                                                                                                                                                                                                                                                                                                                                                                                                                                                                                                               |
| <b>Parameters</b>  | <p><i>mda-slot</i> — The MDA slot number to be configured. <i>Slots are numbered 1 and 2. On vertically oriented slots, the top MDA slot is number 1, and the bottom MDA slot is number 2. On horizontally oriented slots, the left MDA is number 1, and the right MDA slot is number 2. For 7750 SR-c12/4 systems, MDAs may not be provisioned before MCMs are configured for the same slot. MCMs are not required for CMA provisioning.</i></p> <p><b>Values</b> 1, 2</p> <p><b>Values</b> 7710 SR c-12 MDA: 1, 3, 5, 7, 9, 11<br/>7710 SR c-12 CMA: 1-12</p> <p>7710 SR c-4 MDA: 1, 3<br/>7710 SR c-4 CMA: 1-4</p> |

### mda-type

|                    |                                                                                                                                                                                                                                                                                                                                                                                                                                                                                                                                                                                                                                                                                                                                                                                                                                                                                                                                                                                                                                                                                                                                                                     |
|--------------------|---------------------------------------------------------------------------------------------------------------------------------------------------------------------------------------------------------------------------------------------------------------------------------------------------------------------------------------------------------------------------------------------------------------------------------------------------------------------------------------------------------------------------------------------------------------------------------------------------------------------------------------------------------------------------------------------------------------------------------------------------------------------------------------------------------------------------------------------------------------------------------------------------------------------------------------------------------------------------------------------------------------------------------------------------------------------------------------------------------------------------------------------------------------------|
| <b>Syntax</b>      | <b>mda-type</b> <i>mda-type</i><br><b>no mda-type</b>                                                                                                                                                                                                                                                                                                                                                                                                                                                                                                                                                                                                                                                                                                                                                                                                                                                                                                                                                                                                                                                                                                               |
| <b>Context</b>     | config>card>mda                                                                                                                                                                                                                                                                                                                                                                                                                                                                                                                                                                                                                                                                                                                                                                                                                                                                                                                                                                                                                                                                                                                                                     |
| <b>Description</b> | <p>This mandatory command provisions a specific MDA type to the device configuration for the slot. The MDA can be preprovisioned but an MDA must be provisioned before ports can be configured. Ports can be configured once the MDA is properly provisioned.</p> <p>A maximum of two MDAs can be provisioned on an IOM. Only one MDA can be provisioned per IOM MDA slot. To modify an MDA slot, shut down all port associations.</p> <p>A maximum of six MDAs or eight CMAs (or a combination) can be provisioned on a 7750 SR-c12. Only one MDA/CMA can be provisioned per MDA slot. To modify an MDA slot, shut down all port <i>associations</i>.</p> <p>CMAs do not rely on MCM configuration and are provisioned without MCMs.</p> <p><b>Note:</b> CMAs are provisioned using MDA commands. A medium severity alarm is generated if an MDA/CMA is inserted that does not match the MDA/CMA type configured for the slot. This alarm is cleared when the correct MDA/CMA is inserted or the configuration is modified. A high severity alarm is raised when an administratively enabled MDA/CMA is removed from the chassis. This alarm is cleared if the</p> |

either the correct MDA/CMA type is inserted or the configuration is modified. A low severity trap is issued if an MDA/CMA is removed that is administratively disabled.

An MDA can only be provisioned in a slot if the MDA type is allowed in the MDA slot. An error message is generated when an MDA is provisioned in a slot where it is not allowed.

*A medium severity alarm is generated if an MDA is inserted that does not match the MDA type configured for the slot. This alarm is cleared when the correct MDA is inserted or the configuration is modified.*

A high severity alarm is raised when an administratively enabled MDA is removed from the chassis. *This alarm is cleared if the either the correct MDA type is inserted or the configuration is modified.* A low severity trap is issued if an MDA is removed that is administratively disabled.

An alarm is raised if partial or complete MDA failure is detected. The alarm is cleared when the error condition ceases.

All parameters in the MDA context remain and if non-default values are required then their configuration remains as it is on all existing MDAs.

The **no** form of this command deletes the MDA from the configuration. The MDA must be administratively shut down before it can be deleted from the configuration.

**Default** No MDA types are configured for any slots by default.

**Parameters** *mda-type* — The type of MDA selected for the slot position.

**7750:** m60-10/100eth-tx, m10-1gb-sfp, m16-oc12/3-sfp, m8-oc12/3-sfp, m16-oc3-sfp, m8-oc3-sfp, m4-oc48-sfp, m1-oc192, m5-1gb-sfp, m12-chds3, m1-choc12-sfp, m1-10gb, m4-choc3-sfp, m2-oc192-xp-xfp, m2-oc48-sfp, m20-100eth-sfp, m20-1gb-tx, m2-10gb-xfp, m2-oc192-xfp, m12-1gb-sfp, m12-1gb+2-10gb-xp, m4-atmoc12/3-sfp, m16-atmoc3-sfp, m20-1gb-sfp, m4-chds3, m1-10gb-xfp, vsm-cca, m5-1gb-sfp-b, m10-1gb-sfp-b, m4-choc3-as-sfp, m10-1gb+1-10gb, isa-ipsec, m1-choc12-as-sfp, m12-chds3-as, m4-chds3-as, isa-aa, isa-tms, m12-1gb-xp-sfp, m12-1gb+2-10gb-xp, m10-1gb-hs-sfp, m1-10gb-hs-xfp, m4-choc3-ces-sfp, m1-choc3-ces-sfp, m4-10gb-xp-xfp, m2-10gb-xp-xfp, m1-10gb-xp-xfp, m10-1gb-xp-sfp, m20-1gb-xp-sfp, m20-1gb-xp-tx, m1-choc12-ces-sfp, p1-100g-cfp, p10-10g-sfp, p3-40g-qsfp, p6-10g-sfp, imm24-1gb-xp-sfp, imm24-1gb-xp-tx, imm5-10gb-xp-xfp, imm4-10gb-xp-xfp, imm3-40g-qsfp, imm1-40gb-qsfp, imm1-40gb-xp-tun, imm-1pac-fp3/p1-100g-tun, imm2-10gb-xp-xfp, imm12-10gb-xp-SF+, imm1-oc768-xp-tun, imm1-100gb-xp-cfp, isa-video, m1-10gb-dwdm-tun, iom3-xp-b, m4-atmoc12/3-sf-b, m16-atmoc3-sfp-b, m16-oc12/3-sfp-b, m4-oc48-sfp-b

**7750 SR-c12/4:** m60-10/100eth-tx, m8-oc3-sfp, m5-1gb-sfp, m2-oc48-sfp, m20-100eth-sfp, m20-1gb-tx, m4-atmoc12/3-sfp, m20-1gb-sfp, m5-1gb-sfp-b, m4-choc3-as-sfp, c8-10/100eth-tx, c1-1gb-sfp, c2-oc12/3-sfp-b, c8-chds1, c4-ds3, c2-oc12/3-sfp, c1-choc3-ces-sfp, m1-choc12-as-sfp, m12-chds3-as, m4-chds3-as, m4-choc3-ces-sfp, m10-1gb-xp-sfp, m20-1gb-xp-sfp, m20-1gb-xp-tx

## ingress

**Syntax** `ingress`

**Context** `config>card>mda>named-pool-mode`  
`config>port>named-pool-mode`

**Description** The ingress node within the named-pool-mode context is used to contain the ingress named-pool-policy configuration. Enter the ingress node when defining or removing the MDA or port level ingress named pool policy.

## egress

**Syntax** `egress`

**Context** `config>card>mda>named-pool-mode`  
`config>port>named-pool-mode`

**Description** The egress node within the named-pool-mode context is used to contain the egress named-pool-policy configuration. Enter the egress node when defining or removing the MDA or port level egress named pool policy.

## named-pool-policy

**Syntax** `named-pool-policy policy-name`  
`no named-pool-policy`

**Context** `config>card>mda>named-pool-mode>ingress`  
**`config>card>mda>named-pool-mode>egress`**  
`config>port>named-pool-mode>ingress`  
`config>port>named-pool-mode>egress`

**Description** **The named-pool-policy command is used to associate a named pool policy with an MDA or port** ingress or egress context. The policy governs the way that named pools are created at the MDA or *port level*. *The policy may be applied regardless of whether the IOM is in named pool mode*; however, a named pool policy to an MDA or port to a card that is not on named pool mode will be **ignored**. **Pools may not be created due to insufficient resources or pool name collisions**. Pool name collisions are allowed. The name check is performed independently between ingress and egress. *A port on ingress may have a named pool defined that is also on the egress side at the MDA level*. Multiple ports on the same MDA may have the same policy or the same named pools defined. Ports **on the same MDA may also have different named pool policies defined**.

**Parameters** *policy-name* — The defined policy-name must be an existing named pool policy on the system. If **policy-name does not exist, the named-pool-policy command will fail**. **If another named pool policy is currently associated, it will continue to be associated on the MDA or port**. If the policy-name does exist, the pools within the current policy (if a policy is currently associated) will be *removed and the pools defined within the new policy will be created*. *Queues on the port or MDA will be moved to the new pools*. If a pool being used by a queue existed on the previous **policy, but not in the new policy**,

**the queue is moved to the appropriate default pool and marked** as 'pool-orphaned'. The policy-name may be changed at any time.

**Values** Any existing Named Pool Policy

**Default** None

*The no named-pool-policy command removes any existing policy associated with the MDA or port.*

## egress-xpl

**Syntax** **egress-xpl**

**Context** configure>card>mda

**Description** This command enables the context to configure **egress-xpl** settings used by the **fail-on-error** feature.

## threshold

**Syntax** **threshold** *threshold*

**Context** configure>card>mda>egress-xpl

**Description** This command configures the Egress XPL Error Threshold value used by the **fail-on-error** feature.

**Parameters** *threshold* — Specifies an upper limit on the frequency of Egress XPL Errors that can occur on the MDA. When **fail-on-error** is enabled, if the MDA experiences more than *threshold* errors per minute for *window* minutes, the MDA will be put in the *failed* state.

*threshold* cannot be changed while fail-on-error is enabled for this MDA.

**Values** 1 - 1000000

**Default** 1000

## window

**Syntax** **window** *window*

**Context** configure>card>mda>egress-xpl

**Description** This command configures the Error Window value used by the fail-on-error feature.

**Parameters** *window* — Specifies the time (in minutes) that the MDA can experience frequent Egress XPL Errors. When **fail-on-error** is enabled, if more than *threshold* Egress XPL errors per minute occur on the MDA for <window> consecutive minutes, the MDA will be put in the *failed* state.

*window* cannot be changed while fail-on-error is enabled for this MDA.

**Values** 1 - 1440

## MDA Commands

**Default** 60

### fail-on-error

**Syntax** [no] fail-on-error

**Context** configure>card>mda

**Description** This command enables the fail-on-error feature. If an MDA is experiencing too many Egress XPL Errors, this feature causes the MDA to fail. This can force an APS switchover or **traffic re-route**. The purpose of this feature is to avoid situations where traffic is forced to use a physical link that suffers from errors but is still technically operational.

The feature uses values configured in the config>card>mda>egress-xpl context. When this feature is enabled on a MDA, if *window* consecutive minutes pass in which the MDA experiences more than *threshold* Egress XPL Errors per minute, then the MDA will be put in the *failed* state.

The **no** form of this command disables the feature on the MDA.

### clock-mode

**Syntax** clock-mode adaptive  
clock-mode differential [timestamp-freq {19440 | 77760 | 103680}]

**Context** config>card>mda

**Description** This command defines the clocking mode on the specified CMA/MDA. This command is only supported on CES CMAs and MDAs.

**Default** adaptive

**Parameters** **adaptive** — Specifies that MDA is in the adaptive clock mode. This CMA/MDA can use adaptive clock recovery methods.

**differential** — Specifies that MDA is in the differential clock mode. This CMA/MDA can use differential clock recovery methods.

**timestamp-freq** — *This sets the differential timestamp frequency to be 103.68 MHz (default), 77.76 MHz or 19.44 MHz. The frequency value is entered in kHz, thus valid values are 103680, 77760 and 19440. If this parameter is omitted, the default timestamp frequency of 103.68 MHz is used.*

**Values** 19440, 77760, 103680

## hi-bw-mcast-src

**Syntax** **hi-bw-mcast-src** [alarm] [group group-id]  
**no hi-bw-mcast-src**

**Context** config>card>mda

**Description** This command designates the MDA as a high-bandwidth IP multicast source, expecting the ingress traffic to include high-bandwidth IP multicast traffic. When configured, the system attempts to allocate a dedicated multicast switch fabric plane (MSFP) to the MDA. If a group is specified, all *MDAs in the group will share the same MSFP. If the alarm parameter is specified and the system cannot allocate a dedicated MSFP to the new group or MDA, the MDAs will be brought online and generate an event (SYSTEM: 2052 - mdaHiBw-MulticastAlarm). Similarly, if during normal operation there is a failure or removal of resources, an event will be generated if the system cannot maintain separation of MSFPs for the MDAs.*

This feature is supported on the 7750 SR-7 and 7750 SR-12.

The **no** form of the command removes the high-bandwidth IP multicast source designation from the MDA.

**Default** no hi-bw-mcast-src

**Parameters** **alarm** — Enables event generation if the MDA is required to share an MSFP with another MDA that is in a different group. MDAs within the same group sharing an MSFP will not cause this alarm.

**group group-id** — Specifies the logical MSFP group for the MDA. MDAs configured with the same *group-id* will be placed on the same MSFP.

**Values** 0 — 32 (A value of 0 removes the MDA from the group.)

**Default** By default, “none” is used, and the system will attempt to assign a unique MSFP to the MDA.

## egress

**Syntax** **egress**

**Context** config>card>mda

**Description** This command enables the context to configure egress MDA parameters.

## ingress

**Syntax** **ingress**

**Context** config>card>mda

**Description** This command enables the context to configure ingress MDA parameters.

## mcast-path-management

**Syntax** **mcast-path-management**

**Context** config>card>mda>ingress

**Description** This command enables the context to configure local MDA settings for ingress multicast path management.

## ancillary-override

**Syntax** **ancillary-override**

**Context** config>card>mda>ingress>mcast-mgmt

**Description** This command enables the context to configure ancillary path bandwidth override parameters.

## path-limit

**Syntax** **path-limit** *megabits-per-second*  
**no path-limit**

**Context** config>card>mda>ingress>mcast-mgmt>anc-override

**Description** This command overrides the path limits contained in the bandwidth policy associated with the MDA.

The **no** form of the command removes the path limit override from an ingress multicast path and restores the path limit defined in the bandwidth policy associated with the MDA.

**Parameters** *megabits-per-second* — Specifies the path limit override to give the upper limit that multicast channels may use on each path.

**Values** ancillary-override: 1 — 5000  
primary-override: 1 — 2000  
secondary-override: 1 — 2000

## bandwidth-policy

**Syntax** **bandwidth-policy** *policy-name*  
**no bandwidth-policy**

**Context** config>card>mda>ingress>mcast-mgmt

**Description** This command specifies an existing multicast bandwidth policy. Bandwidth policies are used to manage the ingress multicast path bandwidth. Each forwarding plane supports multicast forwarding paths into the switch fabric. Bandwidth policy parameters are configured in the **config>mcast-mgmt** context.

**Parameters** *policy-name* — Specifies an existing multicast bandwidth policy.



## primary-override

**Syntax** **primary-override**

**Context** config>card>mda>ingress>mcast-mgmt

**Description** This command enables the context to configure primary path limit override parameters.

## secondary-override

**Syntax** **secondary-override**

**Context** config>card>mda>ingress>mcast-mgmt

**Description** This command enables the context to configure secondary path limit override parameters.

## scheduler-policy

**Syntax** **scheduler-policy** *hsmda-scheduler-policy-name*  
**no scheduler-policy**

**Context** config>card>mda>ingress

**Description** This command overrides the default HSMDA scheduling policy on the ingress MDA. The command can only be executed on an MDA provisioned as a HSMDA. Attempting to provision a scheduler policy on a non-HSMDA will fail. The defined *hsmda-scheduler-policy-name* must be an existing HSMDA scheduler policy. An HSMDA scheduler policy that is currently associated with an HSMDA cannot be removed from the system.

When the scheduler policy is changed on an ingress HSMDA, the ingress scheduling parameters are immediately changed to reflect the parameters within the policy.

The scheduler policy defined on the ingress context of an HSMDA cannot be changed when local scheduler overrides exist. The scheduler overrides must be removed prior to changing the scheduler policy. Once the scheduler policy is changed, any required overrides may be redefined.

The **no** form of the command restores default HSMDA scheduler policy control over the ingress scheduler on the HSMDA. The **no scheduler-policy** command cannot be executed when scheduler overrides exist on the ingress HSMDA. The overrides must be removed prior to executing the **no scheduler-policy** command.

**Parameters** *hsmda-scheduler-policy-name* — Specifies an existing policy created in the **config>qos>hsmda-scheduler-policy** context. The “default” policy name cannot be specified. Instead, the **no scheduler-policy** command should be executed resulting in the default scheduler policy being used by the ingress MDA.

## MDA Commands

### sync-e

**Syntax** [no] sync-e

**Context** config>card>mda

**Description** This command enables synchronous Ethernet on the MDA. Then any port on the MDA can be used as a source port in the sync-if-timing configuration.

The **no** form of the command disables synchronous Ethernet on the MDA.

---

## MDA/Port QoS Commands

### access

**Syntax** `access`

**Context** `config>card>mda`  
`config>port`

**Description** This command enables the access context to configure egress and ingress pool policy parameters.  
On the MDA level, access egress and ingress pools are only allocated on channelized MDAs/CMAs.

### network

**Syntax** `network`

**Context** `config>card>mda`  
`config>port`

**Description** This command enables the network context to configure egress and ingress pool policy parameters.  
On the MDA level, network egress pools are only allocated on channelized MDAs/CMAs.

### egress

**Syntax** `egress`

**Context** `config>port>access`  
`config>card>mda>access`  
`config>card>mda>network`  
`config>port>network`

**Description** This command enables the context to configure egress buffer pool parameters which define the percentage of the pool buffers that are used for CBS calculations and specify the slope policy that is configured in the `config>qos>slope-policy` context.

On the MDA level, network and access egress pools are only allocated on channelized MDAs/CMAs.

## MDA/Port QoS Commands

### ingress

**Syntax** `ingress`

**Context** `config>card>mda>access`  
`config>card>mda>network`  
`config>port>access`

**Description** This command enables the context to configure ingress buffer pool parameters which define the percentage of the pool buffers that are used for CBS calculations and specify the slope policy that is configured in the `config>qos>slope-policy` context.

On the MDA level, access ingress pools are only allocated on channelized MDAs/CMAs.

### pool

**Syntax** `[no] pool [name]`

**Context** `config>card>mda>access>egress`  
`config>card>mda>access>ingress`  
`config>card>mda>network>egress`  
`config>port>access>egress`  
`config>port>access>ingress`  
`config>port>network>egress`  
`config>port>network>ingress`  
`config>port>access>uplink>egress`

**Description** This command configures pool policies.

On the MDA level, access and network egress and access ingress pools are only allocated on channelized MDAs. On the MDA level, access and network egress and access ingress pools are only allocated on channelized MDAs. Network ingress pools are allocated on the MDA level for non-channelized MDAs.

**Default** default

**Parameters** *name* — Specifies the pool name, a string up to 32 characters long composed of printable, 7-bit ASCII characters. If the string contains special characters (#, \$, spaces, etc.), the entire string must be enclosed within double quotes.

## resv-cbs

**Syntax** **resv-cbs** *percent-or-default* **amber-alarm-action** **step** *percent* **max** [1..100]  
**resv-cbs** *percent-or-default*  
**no resv-cbs**

**Context** config>port>access>egress>pool  
config>port>ethernet>network  
config>card>mda>access>egress  
config>card>mda>access>ingress  
config>card>mda>network>egress  
config>card>mda>network>ingress  
config>port>access>egress>channel>pool  
config>port>access>ingress>pool  
config>port>network>egress>pool

**Description** This command defines the percentage or specifies the sum of the pool buffers that are used as a guideline for CBS calculations for access and network ingress and egress queues. Two actions are accomplished by this command.

- A reference point is established to compare the currently assigned (provisioned) total CBS with the amount the buffer pool considers to be reserved. Based on the percentage of the pool reserved that has been provisioned, the over provisioning factor can be calculated.
- The size of the shared portion of the buffer pool is indirectly established. The shared size is important to the calculation of the instantaneous-shared-buffer-utilization and the average-shared-buffer-utilization variables used in Random Early Detection (RED) per packet slope plotting.

It is important to note that this command does not actually set aside buffers within the buffer pool for CBS reservation. The CBS value per queue only determines the point at which enqueueing packets are subject to a RED slope. Oversubscription of CBS could result in a queue operating within its CBS size and still not able to enqueue a packet due to unavailable buffers. The resv-cbs parameter can be changed at any time.

If the total pool size is 10 MB and the resv-cbs set to 5, the 'reserved size' is 500 KB.

The **no** form of this command restores the default value.

The no resv-cbs command will clear all the adaptive configurations. There cannot be any adaptive sizing enabled for default resv-cbs.

**Default** default (30%)

**Parameters** *percent-or-default* — Specifies the pool buffer size percentage.

**Values** 0 — 100, default

**amber-alarm-action step percent** — specifies the percentage step-size for the reserved CBS size of the pool. When using the default value, the adaptive CBS sizing is disabled. To enable adaptive CBS sizing, **step percent** must be set to non-default value along with the **max** parameter. When reserved CBS is default adaptive CBS sizing cannot be enabled. The reserved CBS (Committed Burst Size) defines the amount of buffer space within the pool that is not considered shared.

**Values** 1 — 100

**Default** 0

## MDA/Port QoS Commands

**max [1..100]** — Specifies the maximum percentage for the reserved CBS size of the pool. When using the default value, the adaptive CBS sizing is disabled. To enable adaptive CBS sizing, **max** value must be set to non-default value along with the **step percent**. When reserved CBS is default adaptive CBS sizing cannot be enabled. The reserved CBS (Committed Burst Size) defines the amount of buffer space within the pool that is not considered shared. Max reserved CBS must not be more than the reserved CBS.

**Values** 1 — 100

**Default** 0

### amber-alarm-threshold

**Syntax** **amber-alarm-threshold** *percentage*  
**no amber-alarm-threshold**

**Context** config>card>mda>access>egress>pool  
config>card>mda>access>ingress>pool  
config>card>mda>network>egress>pool  
config>card>mda>network>ingress>pool  
config>port>access>egress>pool  
config>port>access>ingress>pool  
config>port>network>egress>pool

**Description** This command configures the threshold for the amber alarm on the over-subscription allowed. Users can selectively enable amber or red alarm thresholds. But if both are enabled (non-zero) then the red alarm threshold must be greater than the amber alarm threshold. The **no** form of the command reverts to the default value.

**Default** 0

**Parameters** *percentage* — Specifies the amber alarm threshold.

**Values** 1 — 1000

### red-alarm-threshold

**Syntax** **red-alarm-threshold** *percentage*  
**no red-alarm-threshold**

**Context** config>card>mda>access>egress>pool  
config>card>mda>access>ingress>pool  
config>card>mda>network>egress>pool  
config>card>mda>network>ingress>pool  
config>port>access>egress>pool  
config>port>access>ingress>pool  
config>port>network>egress>pool

**Description** This command configures the threshold for the red alarm on the over-subscription allowed.

Users can selectively enable amber or red alarm thresholds. But if both are enabled (non-zero) then the red alarm threshold must be greater than the amber alarm threshold.

The **no** form of the command reverts to the default value.

**Default** 0

**Parameters** *percentage* — Specifies the amber alarm threshold.

**Values** 1 — 1000

## slope-policy

**Syntax** **slope-policy** *name*  
**no slope-policy**

**Context** config>port>access>egress>pool  
config>card>mda>access>egress  
config>card>mda>access>ingress  
config>card>mda>network>egress  
config>card>mda>network>ingress  
config>port>access>egress>channel>pool  
config>port>access>ingress>pool  
config>port>network>egress>pool

**Description** This command specifies an existing slope policy which defines high and low priority RED slope parameters and the time average factor. The policy is defined in the **config>qos>slope-policy** context.

---

## General Port Commands

### port

**Syntax** **port** {*port-id* | *bundle-id* | *bpgrp-id* | *aps-id*}  
**no port** {*bundle-id* | *bpgrp-id* | *aps-id*}

**Context** config

**Description** This command enables access to the context to configure ports, multilink bundles, and bundle protection groups (BPGs). Before a port can be configured, the chassis slot must be provisioned with a valid card type and the MDA parameter must be provisioned with a valid MDA type. (See **card** and **mda** commands.)

**Default** No ports are configured. All ports must be explicitly configured and enabled.

**Parameters** *port-id* — Specifies the physical port ID in the *slot/mda/port* format.

*bundle-id* — Specifies the multilink bundle to be associated with this IP interface. The command syntax must be configured as follows:

**Syntax:** *bundle-type-slot/mda.bundle-num*  
**bundle-ppp**-*slot/mda.bundle-num* (Creates a multilink PPP bundle.)  
**bundle-ima**-*slot/mda.bundle-num* (Creates an IMA bundle.)  
**bundle-fr**-*slot/mda.bundle-num* (Creates an MLFR bundle.)  
**bundle:** keyword  
*slot:* IOM/MDA slot numbers  
*bundle-num:* 1 — 336

For example:

```
router1>config# port bundle-ppp-5/1.1 (multilink PPP bundle)
router1>config# port bundle-ima-5/1.2 (IMA bundle)
```

*aps-id* — This option configures APS on un-bundled SONET/SDH ports. All SONET-SDH port parameters, with certain exceptions, for the working and protection circuit ports must be configured in the **config>port>aps-group-id** context. The working and protection circuit ports inherit all those parameters configured. The exception parameters for the working and protect circuits can be configured in the **config>port>sonet-sdh** context. Exception list commands include:

```
clock-source
[no] loopback
[no] report-alarm
section-trace
[no] threshold
```

When an **aps-group-id** is created all applicable parameters under the port CLI tree (including parameters under any submenus) assume **aps-group-id** defaults, or when those are not explicitly specified, default to SONET/SDH port defaults for any SONET port.

All but a few exception SONET/SDH parameters for the working channel port must be configured in the **config>port>aps>sonet-sdh** context. The protection channel inherits all the configured parameters. The exception parameters for the protection channel can be configured in the **config>port>aps>sonet-**



**sdh** context.

Signal failure (SF) and signal degrade (SD) alarms are not enabled by default on POS interfaces. It is recommended to change the default alarm notification configuration for POS ports that belong to APS groups in order to be notified of SF/SD occurrences to be able to interpret the cause for an APS group to switch the active line.

For path alarms, modify the logical line *aps-id* in the **configure>port *aps-id*<sonet-sdh>path report-alarm** context. For example:

```
configure port aps-1 sonet-sdh path report-alarm p-ais
```

For line alarms, separately, modify the 2 physical ports that are members of the logical *aps-id* port (the working and protect lines). APS reacts only to line alarms, not path alarms.

For example:

```
configure port 1/2/3 sonet-sdh report-alarm lb2er-sd
configure port 4/5/6 sonet-sdh report-alarm lb2er-sd
```

For example:

```
A:ALA-48>config>port>aps# info

 working-circuit 1/2/3
 protect-circuit 4/5/6

A:ALA-48>config>port>aps#
```

If the SD and SF threshold rates must be modified, the changes must be performed at the line level on both the working and protect APS port member.

The **no** form of this command deletes an *aps-group-id* or *bundle-aps-group-id*. In order for an *aps-group-id* to be deleted,

The same rules apply for physical ports, bundles deletions apply to APS ports/bundles deletions (for example an *aps-group-id* must be shutdown, have no service configuration on it, and no path configuration on it). In addition working and protection circuits must be removed before an *aps-group-id* may be removed.

**Syntax:** **port *aps-group-id***  
                   **aps:** keyword  
                   **group-id:** 1 — 64

**Example:** **port *aps-64***

*bpgrp-id* — Creates a bundle protection group (BPG). The BPG consists of a working and protection bundles that provide APS protection to each other using bi-directional APS as supported on the 7750 SR-Series family of products. All members of a working/protection bundle must be on the same working/protection circuit respectively of the same, already provisioned APS group.

The working bundle must have already been created in the **config>port** context before services can be created on a BPG.

**Syntax:** **bpgrp-type-bpgrp-num**  
           **bpgrp:** keyword  
           **type:** **ppp** — Provides protection of one PPP bundle by another.

## General Port Commands

**ima** — Provides protection of one IMA bundle by another IMA bundle.

*bpg-num:* 1 — 1600

**Example:** `port bpggrp-ima-29`

*bundle-id* — Specifies the multilink bundle to be associated with this IP interface. The command syntax must be configured as follows:

**Syntax:** `bundle-type-slot/mda.bundle-num`

**bundle-ppp**-`slot/mda.bundle-num` (Creates a multilink PPP bundle.)

**bundle:** keyword

*slot:* card/mda slot numbers

*bundle-num:* 1 — 256

For example:

```
router1>config# port bundle-1/1.1 (multilink PPP bundle)
```

## ddm-events

**Syntax** `[no] ddm-events`

**Context** `config>port`

**Description** This command enables Digital Diagnostic Monitoring (DDM) events for the port. The **no** form of the command disables DDM events.

## dwdm

**Syntax** `dwdm`

**Context** `config>port`

**Description** This command configures the Dense Wavelength Division Multiplexing (DWDM) parameters.

## amplifier

**Syntax** `amplifier`

**Context** `config>port>dwdm`

**Description** This command enables you to tune the optical amplifier parameters.

## report-alarms

|                    |                                                                                                                                                                                                                                                                                                                                                                                                                                     |
|--------------------|-------------------------------------------------------------------------------------------------------------------------------------------------------------------------------------------------------------------------------------------------------------------------------------------------------------------------------------------------------------------------------------------------------------------------------------|
| <b>Syntax</b>      | <b>[no] report-alarms [ild] [tmp] [mth] [mtl] [los] [lop] [com]</b>                                                                                                                                                                                                                                                                                                                                                                 |
| <b>Context</b>     | config>port>dwdm>amplifier                                                                                                                                                                                                                                                                                                                                                                                                          |
| <b>Description</b> | This command allows users to enable/disable the optical amplifier alarms for the port.                                                                                                                                                                                                                                                                                                                                              |
| <b>Default</b>     | All alarms are enabled                                                                                                                                                                                                                                                                                                                                                                                                              |
| <b>Parameters</b>  | <p><b>ild</b> — Reports amplifier pump over-current faults.</p> <p><b>tmp</b> — Reports pump temperature faults.</p> <p><b>mth</b> — Reports module case temperature high faults.</p> <p><b>mtl</b> — Reports module case temperature low faults.</p> <p><b>los</b> — Reports loss of signal faults.</p> <p><b>lop</b> — Reports loss of optical power faults.</p> <p><b>com</b> — Reports module communication failure faults.</p> |

## channel

|                    |                                                                                                                                                                                                                                                                                                                                                                                                                                                                                                                                                                                                                                                                                                                                                                                                    |
|--------------------|----------------------------------------------------------------------------------------------------------------------------------------------------------------------------------------------------------------------------------------------------------------------------------------------------------------------------------------------------------------------------------------------------------------------------------------------------------------------------------------------------------------------------------------------------------------------------------------------------------------------------------------------------------------------------------------------------------------------------------------------------------------------------------------------------|
| <b>Syntax</b>      | <b>channel <i>channel</i></b>                                                                                                                                                                                                                                                                                                                                                                                                                                                                                                                                                                                                                                                                                                                                                                      |
| <b>Context</b>     | config>port>dwdm<br>config>port>dwdm>tdcm<br>config>port>dwdm>coherent                                                                                                                                                                                                                                                                                                                                                                                                                                                                                                                                                                                                                                                                                                                             |
| <b>Description</b> | <p>This command configures the Dense Wavelength Division Multiplexing (DWDM) ITU channel at which a tunable MDA optical interface will be configured to operate. It is expressed in a form that is derived from the laser's operational frequency. For example 193.40 THz corresponds to DWDM ITU channel 34 in the 100 GHz grid and 193.45 THz corresponds to DWDM ITU channel 345 in the 50 GHz grid. Provisioning rules: The provisioned MDA type must have DWDM tunable optics (m1-10gb-dwdm-tun)</p> <ul style="list-style-type: none"> <li>• The 'dwdm channel' must set to a non zero value before the port is set to 'no shutdown'</li> <li>• The port must be 'shutdown' before changing the dwdm channel.</li> <li>• The port must be a physical port to set the dwdm channel</li> </ul> |
| <b>Parameters</b>  | <p><i>channel</i> — Specifies the channel.</p> <p><b>Values</b> 0, 17-61, 175-605]<br/>where: 17-61 is used for 100GHz channels</p>                                                                                                                                                                                                                                                                                                                                                                                                                                                                                                                                                                                                                                                                |

175, 185 — 605 is used for 50GHz channels  
 0 only valid on disabled (shutdown) ports

**Values** The DWDM channel number range is listed in the following table.

**Table 33: DWDM Channel Numbers**

| <b>C-Band</b>       |            |                    |                   |            |                    |
|---------------------|------------|--------------------|-------------------|------------|--------------------|
| <b>100 GHz Grid</b> |            |                    | <b>50GHz Grid</b> |            |                    |
| <b>nm</b>           | <b>THz</b> | <b>ITU Channel</b> | <b>nm</b>         | <b>THz</b> | <b>ITU Channel</b> |
| 1528.77             | 196.10     | 61                 | 1529.16           | 196.05     | 605                |
| 1529.55             | 196.00     | 60                 | 1529.94           | 195.95     | 595                |
| 1530.33             | 195.90     | 59                 | 1530.72           | 195.85     | 585                |
| 1531.12             | 195.80     | 58                 | 1531.51           | 195.75     | 575                |
| 1531.90             | 195.70     | 57                 | 1532.29           | 195.65     | 565                |
| 1532.68             | 195.60     | 56                 | 1533.07           | 195.55     | 555                |
| 1533.47             | 195.50     | 55                 | 1533.86           | 195.45     | 545                |
| 1534.25             | 195.40     | 54                 | 1534.64           | 195.35     | 535                |
| 1535.04             | 195.30     | 53                 | 1535.43           | 195.25     | 525                |
| 1535.82             | 195.20     | 52                 | 1536.22           | 195.15     | 515                |
| 1536.61             | 195.10     | 51                 | 1537.00           | 195.05     | 505                |
| 1537.40             | 195.00     | 50                 | 1537.79           | 194.95     | 495                |
| 1538.19             | 194.90     | 49                 | 1538.58           | 194.85     | 485                |
| 1538.98             | 194.80     | 48                 | 1539.37           | 194.75     | 475                |
| 1539.77             | 194.70     | 47                 | 1540.16           | 194.65     | 465                |
| 1540.56             | 194.60     | 46                 | 1540.95           | 194.55     | 455                |
| 1541.35             | 194.50     | 45                 | 1541.75           | 194.45     | 445                |
| 1542.14             | 194.40     | 44                 | 1542.54           | 194.35     | 435                |
| 1542.94             | 194.30     | 43                 | 1543.33           | 194.25     | 425                |
| 1543.73             | 194.20     | 42                 | 1544.13           | 194.15     | 415                |
| 1544.53             | 194.10     | 41                 | 1544.92           | 194.05     | 405                |
| 1545.32             | 194.00     | 40                 | 1545.72           | 193.95     | 395                |

**Table 33: DWDM Channel Numbers (Continued)**

| <b>C-Band</b>       |            |                    |                   |            |                    |
|---------------------|------------|--------------------|-------------------|------------|--------------------|
| <b>100 GHz Grid</b> |            |                    | <b>50GHz Grid</b> |            |                    |
| <b>nm</b>           | <b>THz</b> | <b>ITU Channel</b> | <b>nm</b>         | <b>THz</b> | <b>ITU Channel</b> |
| 1546.12             | 193.90     | 39                 | 1546.52           | 193.85     | 385                |
| 1546.92             | 193.80     | 38                 | 1547.32           | 193.75     | 375                |
| 1547.72             | 193.70     | 37                 | 1548.11           | 193.65     | 365                |
| 1548.51             | 193.60     | 36                 | 1548.91           | 193.55     | 355                |
| 1549.32             | 193.50     | 35                 | 1549.72           | 193.45     | 345                |
| 1550.12             | 193.40     | 34                 | 1550.52           | 193.35     | 335                |
| 1550.92             | 193.30     | 33                 | 1551.32           | 193.25     | 325                |
| 1551.72             | 193.20     | 32                 | 1552.12           | 193.15     | 315                |
| 1552.52             | 193.10     | 31                 | 1552.93           | 193.05     | 305                |
| 1553.33             | 193.00     | 30                 | 1553.73           | 192.95     | 295                |
| 1554.13             | 192.90     | 29                 | 1554.54           | 192.85     | 285                |
| 1554.94             | 192.80     | 28                 | 1555.34           | 192.75     | 275                |
| 1555.75             | 192.70     | 27                 | 1556.15           | 192.65     | 265                |
| 1556.55             | 192.60     | 26                 | 1556.96           | 192.55     | 255                |
| 1557.36             | 192.50     | 25                 | 1557.77           | 192.45     | 245                |
| 1558.17             | 192.40     | 24                 | 1558.58           | 192.35     | 235                |
| 1558.98             | 192.30     | 23                 | 1559.39           | 192.25     | 225                |
| 1559.79             | 192.20     | 22                 | 1560.20           | 192.15     | 215                |
| 1560.61             | 192.10     | 21                 | 1561.01           | 192.05     | 205                |
| 1561.42             | 192.00     | 20                 | 1561.83           | 191.95     | 195                |
| 1562.23             | 191.90     | 19                 | 1562.64           | 191.85     | 185                |
| 1563.05             | 191.80     | 18                 | 1563.45           | 191.75     | 175                |
| 1563.86             | 191.70     | 17                 |                   |            |                    |

## General Port Commands

### cpr-window-size

|                    |                                                                                                                                                                                                                        |
|--------------------|------------------------------------------------------------------------------------------------------------------------------------------------------------------------------------------------------------------------|
| <b>Syntax</b>      | <b>cpr-window-size</b> <i>window-size</i>                                                                                                                                                                              |
| <b>Context</b>     | config>port>dwdm>coherent                                                                                                                                                                                              |
| <b>Description</b> | This command configure the window size used for carrier phase recovery.                                                                                                                                                |
| <b>Default</b>     | 32                                                                                                                                                                                                                     |
| <b>Parameters</b>  | <i>window-size</i> — Indicates the number of symbols used for carrier phase recovery algorithm of the receiver.<br>When this parameter is changed, the link will bounce because the receiver needs to be reconfigured. |
| <b>Values</b>      | [2 4 8 16 32 64] symbols                                                                                                                                                                                               |

### wavetracker

|                    |                                                                      |
|--------------------|----------------------------------------------------------------------|
| <b>Syntax</b>      | <b>wavetracker</b>                                                   |
| <b>Context</b>     | config>port>dwdm                                                     |
| <b>Description</b> | This command validates whether or not the port supports Wavetracker. |
| <b>Default</b>     | None                                                                 |

### power-control

|                    |                                                                                                                                                                                                                                                        |
|--------------------|--------------------------------------------------------------------------------------------------------------------------------------------------------------------------------------------------------------------------------------------------------|
| <b>Syntax</b>      | <b>[no] power-control</b>                                                                                                                                                                                                                              |
| <b>Context</b>     | config>port>dwdm>wavetracker>power-control                                                                                                                                                                                                             |
| <b>Description</b> | This command specifies whether the power control loop should be turned on to actively control the laser's launch power to the specified target power. When power-control is disabled, the launch power is set to the laser's maximum achievable power. |
| <b>Default</b>     | no power-control                                                                                                                                                                                                                                       |
| <b>Parameters</b>  | <i>no power-control</i> — Laser output power is set to maximum.<br><i>power-control</i> — Actively control the laser's output power to achieve the target power.                                                                                       |

### target-power

|                    |                                                                                        |
|--------------------|----------------------------------------------------------------------------------------|
| <b>Syntax</b>      | <b>target-power</b> <i>dBm</i>                                                         |
| <b>Context</b>     | config>port>dwdm>wavetracker>power-control                                             |
| <b>Description</b> | This command specifies launch power in dBm for the DWDM Wavetracker-enabled interface. |
| <b>Default</b>     | -20.00 dBm                                                                             |

**Parameters** *power* — Specify the desired average output power in dBm.

**Values** -22.00 — 3.00

## target-power

**Syntax** **target-power** *power*

**Context** config>port>dwdm>coherent

**Description** This command configures the target transmit optical power for the port.

**Default** 1.00 dBm

**Parameters** *power* — Specify the desired average output power in dBm.

**Values** -20.00 — 1.00

## report-alarm

**Syntax** [**no**] **report-alarm** [**encode-fail**] [**encode-degrade**] [**power-fail**] [**power-degrade**] [**power-high**] [**power-low**]

**Context** config>port>dwdm>wavetracker>

**Description** This command specifies the alarms which are enabled or outstanding against a Wave Tracker-enabled interface.

The **no** form of the command removes the alarm parameters.

**Values**

- encode-fail — Encoder failure
- encode-degrade — Encoder degrade
- power-fail — Power control failure
- power-degrade — Power control degrade
- power-high — Power control high limit reached
- power-low — Power control low limit reached

## encode

**Syntax** **encode** *wave-key* **key2** *wave-key*  
**no encode**

**Context** config>port>dwdm>wavetracker

**Description** This command specifies whether or not Wavetracker keys should be encoded on the transmitted optical signal.

**Default** no encode

**Parameters** *wave-key* — The *wave-key* values must be selected based on the currently configured DWDM ITU channel.

## General Port Commands

Both keys must be odd or both keys must be even. One even key and one odd key cannot be configured. The ranges of values for each key are defined in the table below:

| <b>DWDM ITU<br/>Channel Number</b> | <b>Key 1<br/>Minimum</b> | <b>Key 1<br/>Maximum</b> | <b>Key 2<br/>Minimum</b> | <b>Key 2<br/>Maximum</b> |
|------------------------------------|--------------------------|--------------------------|--------------------------|--------------------------|
| 17                                 | 1276                     | 1290                     | 1760                     | 1774                     |
| 18                                 | 1259                     | 1273                     | 1743                     | 1757                     |
| 19                                 | 1242                     | 1256                     | 1726                     | 1740                     |
| 20                                 | 1225                     | 1239                     | 1709                     | 1723                     |
| 21                                 | 528                      | 542                      | 1072                     | 1086                     |
| 22                                 | 511                      | 525                      | 1055                     | 1069                     |
| 23                                 | 494                      | 508                      | 1038                     | 1052                     |
| 24                                 | 477                      | 491                      | 1021                     | 1035                     |
| 25                                 | 1208                     | 1222                     | 1692                     | 1706                     |
| 26                                 | 460                      | 474                      | 1004                     | 1018                     |
| 27                                 | 443                      | 457                      | 987                      | 1001                     |
| 28                                 | 426                      | 440                      | 970                      | 984                      |
| 29                                 | 409                      | 423                      | 953                      | 967                      |
| 30                                 | 1191                     | 1205                     | 1675                     | 1689                     |
| 31                                 | 392                      | 406                      | 936                      | 950                      |
| 32                                 | 375                      | 389                      | 919                      | 933                      |
| 33                                 | 358                      | 372                      | 902                      | 916                      |
| 34                                 | 341                      | 355                      | 885                      | 899                      |
| 35                                 | 1174                     | 1188                     | 1658                     | 1672                     |
| 36                                 | 324                      | 338                      | 868                      | 882                      |
| 37                                 | 307                      | 321                      | 851                      | 865                      |
| 38                                 | 290                      | 304                      | 834                      | 848                      |
| 39                                 | 273                      | 287                      | 817                      | 831                      |
| 40                                 | 1157                     | 1171                     | 1641                     | 1655                     |
| 41                                 | 256                      | 270                      | 800                      | 814                      |
| 42                                 | 239                      | 253                      | 783                      | 797                      |



| DWDM ITU<br>Channel Number | Key 1<br>Minimum | Key 1<br>Maximum | Key 2<br>Minimum | Key 2<br>Maximum |
|----------------------------|------------------|------------------|------------------|------------------|
| 17                         | 1276             | 1290             | 1760             | 1774             |
| 18                         | 1259             | 1273             | 1743             | 1757             |
| 43                         | 222              | 236              | 766              | 780              |
| 44                         | 205              | 219              | 749              | 763              |
| 45                         | 1140             | 1154             | 1624             | 1638             |
| 46                         | 188              | 202              | 732              | 746              |
| 47                         | 171              | 185              | 715              | 729              |
| 48                         | 154              | 168              | 698              | 712              |
| 49                         | 137              | 151              | 681              | 698              |
| 50                         | 1123             | 1137             | 1607             | 1621             |
| 51                         | 120              | 134              | 664              | 678              |
| 52                         | 103              | 117              | 647              | 661              |
| 53                         | 86               | 100              | 630              | 644              |
| 54                         | 69               | 83               | 613              | 627              |
| 55                         | 1106             | 1120             | 1590             | 1604             |
| 56                         | 52               | 66               | 596              | 610              |
| 57                         | 35               | 49               | 579              | 593              |
| 58                         | 18               | 32               | 562              | 576              |
| 59                         | 1                | 15               | 545              | 559              |
| 60                         | 1089             | 1103             | 1573             | 1587             |
| 61                         | 1548             | 1548             | 2032             | 2032             |
| 175                        | 3553             | 3567             | 4065             | 4079             |
| 185                        | 3536             | 3550             | 4048             | 4062             |
| 195                        | 3519             | 3533             | 4031             | 4045             |
| 205                        | 3502             | 3516             | 4014             | 4028             |
| 215                        | 3840             | 3854             | 2304             | 2318             |
| 225                        | 3823             | 3837             | 2287             | 2301             |
| 235                        | 3806             | 3820             | 2270             | 2284             |

## General Port Commands

| DWDM ITU Channel Number | Key 1 Minimum | Key 1 Maximum | Key 2 Minimum | Key 2 Maximum |
|-------------------------|---------------|---------------|---------------|---------------|
| 17                      | 1276          | 1290          | 1760          | 1774          |
| 18                      | 1259          | 1273          | 1743          | 1757          |
| 245                     | 3789          | 3803          | 2253          | 2267          |
| 255                     | 3485          | 3499          | 3997          | 4011          |
| 265                     | 3772          | 3786          | 2236          | 2250          |
| 275                     | 3755          | 3769          | 2219          | 2233          |
| 285                     | 3738          | 3752          | 2202          | 2216          |
| 295                     | 3721          | 3735          | 2185          | 2199          |
| 305                     | 3468          | 3482          | 3980          | 3994          |
| 315                     | 3704          | 3718          | 2168          | 2182          |
| 325                     | 3687          | 3701          | 2151          | 2165          |
| 335                     | 3670          | 3684          | 2134          | 2148          |
| 345                     | 3653          | 3667          | 2117          | 2131          |
| 355                     | 3451          | 3465          | 3963          | 3977          |
| 365                     | 3636          | 3650          | 2100          | 2114          |
| 375                     | 3619          | 3633          | 2083          | 2097          |
| 385                     | 3602          | 3616          | 2066          | 2080          |
| 395                     | 3585          | 3599          | 2049          | 2063          |
| 405                     | 3434          | 3448          | 3946          | 3960          |
| 415                     | 1548          | 1562          | 2032          | 2046          |
| 425                     | 1531          | 1545          | 2015          | 2029          |
| 435                     | 1514          | 1528          | 1998          | 2012          |
| 445                     | 1497          | 1511          | 1981          | 1995          |
| 455                     | 3908          | 3922          | 2372          | 2386          |
| 465                     | 1480          | 1494          | 1964          | 1978          |
| 475                     | 1463          | 1477          | 1947          | 1961          |
| 485                     | 1446          | 1460          | 1930          | 1944          |
| 495                     | 1429          | 1443          | 1913          | 1927          |

| DWDM ITU<br>Channel Number | Key 1<br>Minimum | Key 1<br>Maximum | Key 2<br>Minimum | Key 2<br>Maximum |
|----------------------------|------------------|------------------|------------------|------------------|
| 17                         | 1276             | 1290             | 1760             | 1774             |
| 18                         | 1259             | 1273             | 1743             | 1757             |
| 505                        | 3891             | 3905             | 2355             | 2369             |
| 515                        | 1412             | 1426             | 1896             | 1910             |
| 525                        | 1395             | 1409             | 1879             | 1893             |
| 535                        | 1378             | 1392             | 1862             | 1876             |
| 545                        | 1361             | 1375             | 1845             | 1859             |
| 555                        | 3874             | 3888             | 2338             | 2352             |
| 565                        | 1344             | 1358             | 1828             | 1842             |
| 575                        | 1327             | 1341             | 1811             | 1825             |
| 585                        | 1310             | 1324             | 1794             | 1808             |
| 595                        | 1293             | 1307             | 1777             | 1791             |
| 605                        | 3857             | 3871             | 2321             | 2335             |

## dispersion

**Syntax** `dispersion dispersion`

**Context** `config>port>dwdm>tdcm`  
`config>port>dwdm>coherent`

**Description** This command allows users to configure the dispersion compensation for the port when manual mode is selected.

**Parameters** *dispersion* — Specifies the dispersion compensation.

**Values** -1200—1200

## dispersion

**Syntax** `dispersion dispersion`

**Context** `config>port>dwdm>coherent`

**Description** This command configures the residual chromatic dispersion to be compensated when the coherent receiver is operating in manual dispersion control mode.

## General Port Commands

**Default** 0

**Parameters** *dispersion* — Specifies the dispersion compensation.

**Values** -5000 — 5000

### mode

**Syntax** **mode** {automatic | manual}

**Context** config>port>dwdm>tdcm

**Description** This command allows users to configure the dispersion algorithm mode used for the port. Manual mode is used when the user knows the residual dispersion on the link. Automatic mode is used to let the software determine the optimal dispersion compensation required. Automatic mode should be used during service commissioning and when the state if the TDCM control is converged, the user can change to manual mode and configure the dispersion compensation found by the software. Because automatic mode uses a search algorithm that will sweep the entire range of dispersion specified in the sweep command, it can take up to 10 minutes for the link to come up. In manual mode, the link can come up in 2 minutes or less.

**Parameters** automatic — Sets to automatic mode.

manual — Sets to manual mode.

### mode

**Syntax** **mode** {automatic | manual}

**Context** config>port>dwdm>coherent

**Description** This command configures the mode used to compensate for chromatic dispersion.

**Parameters** automatic — Sets to automatic mode.

manual — Sets to manual mode.

### report-alarms

**Syntax** [**no**] **report-alarms** [**nr**dy] [**m**th] [**m**tl] [**un**lck] [**t**lim] [**e**inv] [**com**]

**Context** config>port>dwdm>tdcm

**Description** This command allows users to Enable/disable logging of tdcn alarms on the port.

**Default** All alarms are enabled

**Parameters** **nr**dy — Reports Tdcn not ready faults.

**m**th — Reports module case temperature high faults.

- mtl** — Reports module case temperature low faults.
- unlck** — Reports thermal control locked faults.
- tlim** — Reports thermal control temperature limit faults.
- einv** — Reports EEPROM invalid faults.
- com** — Reports Tdcm module communication failure faults.

## report-alarms

- Syntax** [no] report-alarms [modflt] [mod] [netrx] [nettx] [hosttx]
- Context** config>port>dwdm>coherent
- Description** This command configures the alarms that will be reported for the coherent module.
- Default** modflt mod netrx nettx hosttx
- Parameters**
  - modflt** — Reports module fault alarm.
  - mod** — Reports module alarm.
  - netrx** — Reports network (optical side) receive alarm.
  - nettx** — Reports network (optical side) transmit alarm.
  - hosttx** — Reports host (electrical side) transmit alarm.

## rx-los-thresh

- Syntax** rx-los-thresh <threshold>
- Context** config>port>dwdm>coherent
- Description** This command configures the average input power LOS (Loss of Signal) threshold.
- Default** -23
- Parameters**
  - threshold* — Specifies port's rx los threshold.

**Values**     -23.00 — -13.00

## sweep

- Syntax** sweep start *dispersion-start* end *dispersion-end*
- Context** config>port>dwdm>tdcm
- Description** This command allows users to configure the dispersion sweep 'start' and 'end' values for the automatic mode of TDCM control. If the user knows the approximate or theoretical residual dispersion of the link, this

## General Port Commands

command can be used to limit the range of sweeping for the automatic control mode and thus achieve faster link up.

**Parameters** *dispersion-start* — Specifies the lower range limit for the dispersion compensation.

**Values** -1200 —1200

**Default** -1200

*dispersion-end* — Specifies the upper range limit for the dispersion compensation.

**Values** -1200—1200

**Default** 1200

## sweep

**Syntax** **sweep start** *dispersion-start* **end** *dispersion-end*

**Context** config>port>dwdm>coherent

**Description** This command allows users to configure the dispersion sweep ‘start’ and ‘end’ values for the automatic mode of coherent control. If the user knows the approximate or theoretical residual dispersion of the link, this command can be used to limit the range of sweeping for the automatic control mode and thus achieve faster link up.

**Parameters** *dispersion-start* — Specifies the lower range limit for the dispersion compensation.

**Values** -50000 — 50000

**Default** -25500

*dispersion-end* — Specifies the upper range limit for the dispersion compensation.

**Values** -50000 — 50000

**Default** 2000

## rxdtv-adjust

**Syntax** [**no**] rxdtv-adjust

**Context** config>port>dwdm

**Description** This command enables you to adjust the optical receive decision threshold voltage (RxDTV).

**Default** no rxdtv-adjust

## queue-group

**Syntax** **queue-group** *queue-group-name* **instance** *instance-id*  
**no queue-group**

**Context** config>port>ethernet>network>egress

**Description** This command is used to create a queue-group instance in the network egress context of a port. Queue-groups containing queues only or policers and queues can be instantiated. When a port is a LAG, one instance of the queue-group is instantiated on each member link. One or more instances of the same queue-group name and/or a different queue-group name can be created in the network egress context of a port. The queue-group-name must be unique within all network egress and access egress queue groups in the system. The queue-group instance-id must be unique within the context of the port. The **no** version of this command deletes the queue-group instance from the network egress context of the port.

**Parameters** *queue-group-name* — Specifies the name of the queue group template up to 32 characters in length.  
**instance** *instance-id* — Specifies the identification of a specific instance of the queue-group.

**Values** 1—40960

## xgig

**Syntax** **xgig** {lan |wan}

**Context** config>port>ethernet

**Description** This command configures a 10 Gbps interface to be in Local or Wide Area Network (LAN or WAN) mode. When configuring the port to be in WAN mode, you can change certain SONET/SDH parameters to reflect the SONET/SDH requirements for this port. When you configure a port for LAN mode, all SONET/SDH parameters are pre-determined and not configurable.

**Default** lan

**Parameters** **lan** — Sets the port to operate in LAN mode.  
**wan** — Sets the port to operate in WAN mode.

## otu

**Syntax** [**no**] **otu**

**Context** config>port

**Description** This command specifies whether or not to enable the OTU encapsulation type (encapsulated 10GE-LAN/WAN or OC192). The port must be shut down before OTU is enabled.

## General Port Commands

**Note:** OTU cannot be disabled on OTU3 encapsulated OC768 or 40-Gigabit Ethernet by the **no otu** command. Therefore, the default depends on the port type. The default for OTU3 encapsulated OC768 or 40-Gigabit Ethernet is **otu**.

The **no** form of this command disables OTU (clear channel 10GE-LAN/WAN or OC192).

**Default** no otu

## fec

**Syntax** [no] fec {enhanced | g709}

**Context** config>port>otu>fec

**Description** This command enables the Forwarding Error Correction (FEC) encoder/decoder and specifies the FEC encoder/decoder mode to use when enabled.

The following rules must be followed:

- The port's OTU must be enabled to set or change the FEC mode.
- The port must be shut down before changing the FEC mode.
- The sf-sd-method must be changed to BIP8 before setting the FEC mode to disabled.

**Note:** FEC cannot be disabled on OTU3 encapsulated OC768 or 40-Gigabit Ethernet by the **no fec** command. Therefore, the default depends on the port type. The default for OTU3 encapsulated OC768 or 40-Gigabit Ethernet is **fec enhanced**.

The **no** form of the command disables FEC encoder and decoder.

**Default** no fec

**Parameters** **enhanced** — Enables the FEC encoder and decoder with a proprietary enhanced FEC algorithm.  
**g709** — Enables the FEC encoder and decoder with the standard G.709 FEC algorithm.

## otu2-lan-data-rate

**Syntax** otu2-lan-data-rate {11.049 | 11.0957}

**Context** config>port>otu

**Description** This command specifies the data rate to use when configured for an OTU encapsulated 10GE-LAN signal. The port must be shut down before changing the 10GE LAN OTU2 data rate.

**Default** 11.049

**Parameters** **11.049** — Configures the port to transmit and receive an 11.049 Gb/s synchronous OTU encapsulated 10GE-LAN signal (No fixed stuffing bytes in the OTU2 frame).  
**11.0957** — Configures the port to transmit and receive an 11.0957 Gb/s synchronous OTU encapsulated 10GE-LAN signal (with fixed stuffing bytes in the OTU2 frame).



## sf-sd-method

**Syntax** `sf-sd-method {bip8 | fec}`

**Context** `config>port>otu>sf-sd-method`

**Description** This command specifies the method used to determine the signal fail and signal degrade alarms. When select the bip8 method is selected, the SM-BIP8 errors are used. When the FEC method is selected, the FEC corrected bits are used.

The following rules must be followed:

- The port's OTU must be enabled to set or change the sf-sd-method.
- The FEC mode must be enhanced or g709 before setting the sf-sd-method to fec.
- The SF threshold must be 5 or higher before setting the sf-sd-method to bip8.

**Default** fec

**Parameters** **bip8** — The SM-BIP8 errors are used to declare the presence of the Signal Fail and Signal Degrade condition.

**fec** — The FEC corrected bit errors are used to declare the presence of the Signal Fail and Signal Degrade condition.

## sf-threshold

**Syntax** `sf-threshold threshold`

**Context** `config>port>otu>sf-threshold`

**Description** This command specifies the error rate at which to declare the signal fail condition for the the signal fail (SF) threshold. The value represents an error rate of 10E-<value>.

The SF threshold must:

- Be less than the SD threshold.
- Be 5 or higher before setting the sf-sd-method to bip8.

**Default** 4

**Parameters** *threshold* — Specifies the signal fail (SF) threshold.

**Values** 3 —7

## sd-threshold

|                    |                                                                                                                                                                                                                                                                                                                                                             |
|--------------------|-------------------------------------------------------------------------------------------------------------------------------------------------------------------------------------------------------------------------------------------------------------------------------------------------------------------------------------------------------------|
| <b>Syntax</b>      | <b>sd-threshold</b> <i>threshold</i>                                                                                                                                                                                                                                                                                                                        |
| <b>Context</b>     | config>port>otu>sd-threshold                                                                                                                                                                                                                                                                                                                                |
| <b>Description</b> | This command specifies the error rate at which to declare the signal fail condition for the signal degrade (SD). The value represents an error rate of 10E- <i>value</i> .<br>The SD threshold must:: <ul style="list-style-type: none"><li>• Be greater than the SF threshold.</li><li>• Be 5 or higher before setting the sf-sd-method to bip8.</li></ul> |
| <b>Default</b>     | 7                                                                                                                                                                                                                                                                                                                                                           |
| <b>Parameters</b>  | <i>threshold</i> — Specifies the exponent of the error rate, thus an error rate from 10E-3 to 10E-7.<br><b>Values</b> 5 — 9                                                                                                                                                                                                                                 |

## sm-tti

|                    |                                                                                                     |
|--------------------|-----------------------------------------------------------------------------------------------------|
| <b>Syntax</b>      | <b>sm-tti</b>                                                                                       |
| <b>Context</b>     | config>port>otu                                                                                     |
| <b>Description</b> | This command enables the context to configure section monitoring trail trace identifier parameters. |

## expected

|                    |                                                                                                                                                                                                                                                                                                                                                                                                                                                                                                                                                   |
|--------------------|---------------------------------------------------------------------------------------------------------------------------------------------------------------------------------------------------------------------------------------------------------------------------------------------------------------------------------------------------------------------------------------------------------------------------------------------------------------------------------------------------------------------------------------------------|
| <b>Syntax</b>      | <b>expected</b> { <b>string</b> <i>string</i>   <b>bytes</b> <i>byte-sequence</i>   <b>auto-generated</b>   <b>use-rx</b> }                                                                                                                                                                                                                                                                                                                                                                                                                       |
| <b>Context</b>     | config>port>otu>sm-tti                                                                                                                                                                                                                                                                                                                                                                                                                                                                                                                            |
| <b>Description</b> | This command enables the user to configure the expected RX Trail Trace Identifier (TTI) for Section Monitoring (SM) in the OTU overhead. This identifier can be a string or a non-printable sequence of bytes. The length of the string or sequence of bytes cannot exceed 64 bytes. This trace should match the expected far-end port's SM trace. When this trace does not match the received SM trace, the OTU-TIM alarm will be reported if enabled.                                                                                           |
| <b>Default</b>     | Blank (all zeros)                                                                                                                                                                                                                                                                                                                                                                                                                                                                                                                                 |
| <b>Parameters</b>  | <b>auto-generated</b> — Sets the default<br><b>string</b> <i>string</i> — Sets the SM TTI to the string provided by the user. If the string is less than 64 bytes, the remaining bytes will be set to 0.<br><b>bytes</b> — [byte1 byte2 ... byte64]. Sets the SM TTI to the sequence of bytes provided by the user. If the user provides less than 64 bytes, the remaining bytes will be set to 0.<br><b>use-rx</b> — Copies the received sm-tti to the expected either as a string or a sequence of bytes depending on the received sm-tti data. |

## mismatch-reaction

|                    |                                                                                                                |
|--------------------|----------------------------------------------------------------------------------------------------------------|
| <b>Syntax</b>      | <b>mismatch-reaction</b> { <b>none</b>   <b>snquelch-rx</b> }                                                  |
| <b>Context</b>     | config>port>otu>sm-tti                                                                                         |
| <b>Description</b> | This command allows the user to configure the consequent action to a sm-tti mismatch.                          |
| <b>Default</b>     | None                                                                                                           |
| <b>Parameters</b>  | <b>none</b> — The received traffic is passed through.<br><b>snquelch-rx</b> — The received traffic is blocked. |

## pm-tti

|                    |                                                                                                  |
|--------------------|--------------------------------------------------------------------------------------------------|
| <b>Syntax</b>      | <b>pm-tti</b>                                                                                    |
| <b>Context</b>     | config>port>otu                                                                                  |
| <b>Description</b> | This command enables the context to configure path monitoring trail trace identifier parameters. |

## tx

|                    |                                                                                                                                                                                                                                                                                                                                                                                                                                                                                                                                                                                |
|--------------------|--------------------------------------------------------------------------------------------------------------------------------------------------------------------------------------------------------------------------------------------------------------------------------------------------------------------------------------------------------------------------------------------------------------------------------------------------------------------------------------------------------------------------------------------------------------------------------|
| <b>Syntax</b>      | <b>tx auto-generated</b><br><b>tx bytes bytes</b> [ <i>bytes...</i> (up to 64 max)]<br><b>tx string identifier</b><br><b>tx auto-generated</b>   <b>string identifier</b>   <b>bytes byte1</b> [ <i>byte2...</i> (up to 64 bytes)]<br><b>no tx</b>                                                                                                                                                                                                                                                                                                                             |
| <b>Context</b>     | config>port>otu>pm-tti>tx                                                                                                                                                                                                                                                                                                                                                                                                                                                                                                                                                      |
| <b>Description</b> | This command enables the user to configure the transmit (tx) trail trace identifier (TTI) for path monitoring (PM) in the ODU overhead. This identifier can be a string or a non-printable sequence of bytes. The length of the string or sequence of bytes cannot exceed 64 bytes.<br>The <b>no</b> form of the command reverts to the default TTI.                                                                                                                                                                                                                           |
| <b>Default</b>     | Auto-generated in the format of <i>nodename:iomnum/mdanum/portnum/dwdmchan</i><br>The auto-generated value has five sections: <ul style="list-style-type: none"> <li>• Nodename — The first section is the name of the node.</li> <li>• iomnum — The second section contains the IOM slot number.</li> <li>• mdanum — The third section contains the MDA slot number.</li> <li>• portnum — The fourth section contains the port number.</li> <li>• dwdmchan — The fifth section contains the DWDM channel number (see Table 33, DWDM Channel Numbers, on page 316).</li> </ul> |
| <b>Parameters</b>  | <b>auto-generated</b> — Specifies to use the system generated (default) TTI.                                                                                                                                                                                                                                                                                                                                                                                                                                                                                                   |

## General Port Commands

**string identifier** — Sets the PM TTI to the string provided by the user. If the string is less than 64 bytes, the remaining bytes will be set to 0.

**bytes byte1 [byte2...(up to 64 bytes)]** — Sets the PM TTI to the sequence of bytes provided by the user. If the user provides less than 64 bytes, the remaining bytes will be set to 0. A 1 byte sequence of 0xFF will set the default strings.

**Values** 0 — FF, in hexadecimal byte notation

### tx

**Syntax** **tx** {**auto-generated** | **string identifier** | **bytes byte1 [byte2...(up to 64 bytes)]**}  
**no tx**

**Context** config>port>otu>sm-tti>tx

**Description** This command allows the user to configure the transmit (tx) trail trace identifier (TTI) for section monitoring (SM) in the OTU overhead. This identifier can be a string or a non-printable sequence of bytes. The length of the string or sequence of bytes cannot exceed 64 bytes.

The **no** form of the command reverts to the default TTI.

**Default** Auto-generated in the format of *nodename:iomnum/md anum/portnum/dwdmchan*

The auto-generated value has five sections:

- **Nodename** — The first section is the name of the node.
- **iomnum** — The second section contains the IOM slot number.
- **md anum** — The third section contains the MDA slot number.
- **portnum** — The fourth section contains the port number.
- **dwdmchan** — The fifth section contains the DWDM channel number (see Table 33, DWDM Channel Numbers, on page 316).

**Parameters** **auto-generated** — Specifies to use the system generated (default) TTI.

**string identifier** — Sets the SM TTI to the string provided by the user. If the string is less than 64 bytes, the remaining bytes will be set to 0.

**bytes byte1 [byte2...(up to 64 bytes)]** — Sets the SM TTI to the sequence of bytes provided by the user. If the user provides less than 64 bytes, the remaining bytes will be set to 0. A 1 byte sequence of 0xFF will set the default strings.

**Values** 0 — FF, in hexadecimal byte notation

## tx

|                    |                                                                                                                                                                |
|--------------------|----------------------------------------------------------------------------------------------------------------------------------------------------------------|
| <b>Syntax</b>      | <b>tx</b> { <i>value</i>   <b>auto</b> }                                                                                                                       |
| <b>Context</b>     | config>port>otu>psi-payload                                                                                                                                    |
| <b>Description</b> | This command allows the user to configure the transmit payload type value in byte 0 of the payload structure identifier (PSI) of the OPU overhead.             |
| <b>Default</b>     | 3 for 10GE-LAN/WAN or OC192 with OTU encapsulation; 5 for GFP framed 10GE-LAN with OTU encapsulation.                                                          |
| <b>Parameters</b>  | <b>auto</b> — Transmits the standard value in the payload type field.<br><i>value</i> — Non-standard payload type value to transmit in the payload type field. |

## expected

|                    |                                                                                                                                                                                                                                                                                                                                                                                                                                                                                                                                                            |
|--------------------|------------------------------------------------------------------------------------------------------------------------------------------------------------------------------------------------------------------------------------------------------------------------------------------------------------------------------------------------------------------------------------------------------------------------------------------------------------------------------------------------------------------------------------------------------------|
| <b>Syntax</b>      | <b>expected auto-generated</b><br><b>expected bytes</b> <i>byte</i> [ <i>byte...</i> (up to 64 max)]<br><b>expected string</b> <i>identifier</i><br><b>expected use-rx</b>                                                                                                                                                                                                                                                                                                                                                                                 |
| <b>Context</b>     | config>port>otu>pm-tti                                                                                                                                                                                                                                                                                                                                                                                                                                                                                                                                     |
| <b>Description</b> | This command allows the user to configure the expected RX trail trace identifier (TTI) for path monitoring (PM) in the ODU overhead. This identifier can be a string or a non-printable sequence of bytes. The length of the string or sequence of bytes cannot exceed 64 bytes. This trace should match the far-end port's PM trace. When this trace does not match the received PM trace, the ODU-TIM alarm will be reported if enabled.                                                                                                                 |
| <b>Default</b>     | Blank (all zeros)                                                                                                                                                                                                                                                                                                                                                                                                                                                                                                                                          |
| <b>Parameters</b>  | <b>auto-generated</b> — Sets the default<br><b>string</b> <i>string</i> — Sets the PM TTI to the string provided by the user. If the string is less than 64 bytes, the remaining bytes will be set to 0.<br><b>bytes</b> — [ <i>byte1 byte2 ... byte64</i> ]. Sets the PM TTI to the sequence of bytes provided by the user. If the user provides less than 64 bytes, the remaining bytes will be set to 0.<br><b>use-rx</b> — Copies the received pm-tti to the expected either as a string or a sequence of bytes depending on the received pm-tti data. |

## mismatch-reaction

|                    |                                                                                                                                                 |
|--------------------|-------------------------------------------------------------------------------------------------------------------------------------------------|
| <b>Syntax</b>      | <b>mismatch-reaction {<i>squelch-rx</i>}</b><br><b>no mismatch-reaction</b>                                                                     |
| <b>Context</b>     | config>port>otu>pm-tti                                                                                                                          |
| <b>Description</b> | This command allows the user to configure the consequent action to a pm-tti mismatch. The <b>no</b> form of the command reverts to the default. |
| <b>Default</b>     | none, the received traffic is passed through.                                                                                                   |
| <b>Parameters</b>  | <b>squelch-rx</b> — The received traffic is blocked.                                                                                            |

## psi-tti

|                    |                                                                                                               |
|--------------------|---------------------------------------------------------------------------------------------------------------|
| <b>Syntax</b>      | <b>psi-tti</b>                                                                                                |
| <b>Context</b>     | config>port>otu                                                                                               |
| <b>Description</b> | This command enables the context to configure payload structure identifier trail trace identifier parameters. |

## tx

|                    |                                                                                                                                                                                                                                                                                                                                                                                                                                                                                                      |
|--------------------|------------------------------------------------------------------------------------------------------------------------------------------------------------------------------------------------------------------------------------------------------------------------------------------------------------------------------------------------------------------------------------------------------------------------------------------------------------------------------------------------------|
| <b>Syntax</b>      | <b>tx {<i>string identifier</i>   <i>bytes byte-sequence</i>   <b>auto-generated</b>}</b>                                                                                                                                                                                                                                                                                                                                                                                                            |
| <b>Context</b>     | config>port>otu>psi-trace                                                                                                                                                                                                                                                                                                                                                                                                                                                                            |
| <b>Description</b> | This command allows the user to configure the transmit trace in bytes 1 to 255 (skipping byte 0) of the payload structure identifier (PSI) of the OPU overhead. This identifier can be a string or a non-printable sequence of bytes. The length of the string or sequence of bytes cannot exceed 255 bytes.                                                                                                                                                                                         |
| <b>Default</b>     | Blank (all zeros)                                                                                                                                                                                                                                                                                                                                                                                                                                                                                    |
| <b>Parameters</b>  | <b>auto-generated</b> — Sets the default PSI trace<br><b>string <i>identifier</i></b> — Sets the PSI trace to the string provided by the user. If the string is less than 255 bytes, the remaining bytes will be set to 0.<br><b>bytes <i>byte1</i> [<i>byte2...</i>(up to 64 bytes)]</b> — Sets the PSI trace to the sequence of bytes provided by the user. If the user provides less than 64 bytes, the remaining bytes will be set to 0. A 1 byte sequence of 0xFF will set the default strings. |
| <b>Values</b>      | <b>0</b> — FF, in hexadecimal byte notation                                                                                                                                                                                                                                                                                                                                                                                                                                                          |

## expected

|                    |                                                                                                                                                                                                                                                                                                                                                                                                                                                                                                                                                                              |
|--------------------|------------------------------------------------------------------------------------------------------------------------------------------------------------------------------------------------------------------------------------------------------------------------------------------------------------------------------------------------------------------------------------------------------------------------------------------------------------------------------------------------------------------------------------------------------------------------------|
| <b>Syntax</b>      | <b>expected</b> { <b>string</b> <i>string</i>   <b>bytes</b> <i>byte-sequence</i>   <b>auto-generated</b>   <b>use-rx</b> }                                                                                                                                                                                                                                                                                                                                                                                                                                                  |
| <b>Context</b>     | config>port>otu>pm-tti                                                                                                                                                                                                                                                                                                                                                                                                                                                                                                                                                       |
| <b>Description</b> | This command allows the user to configure the expected RX in bytes 1 to 255 (skipping byte 0) of the Payload structure identifier (PSI) of the OPU overhead. This identifier can be a string or a non-printable sequence of bytes. The length of the string or sequence of bytes cannot exceed 255 bytes. This trace should match the far-end port's PSI trace. When this trace does not match the received PSI trace, the OPU-TIM alarm will be reported if enabled.                                                                                                        |
| <b>Default</b>     | Blank (all zeros)                                                                                                                                                                                                                                                                                                                                                                                                                                                                                                                                                            |
| <b>Parameters</b>  | <p><b>auto-generated</b> — Sets the default</p> <p><b>string</b> <i>string</i> — Sets the PSI trace to the string provided by the user. If the string is less than 64 bytes, the remaining bytes will be set to 0.</p> <p><b>bytes</b> — [byte1 byte2 ... byte64]. Sets the PSI trace to the sequence of bytes provided by the user. If the user provides less than 64 bytes, the remaining bytes will be set to 0.</p> <p><b>use-rx</b> — Copies the received psi-tti to the expected either as a string or a sequence of bytes depending on the received psi-tti data.</p> |

## mismatch-reaction

|                    |                                                                                                                         |
|--------------------|-------------------------------------------------------------------------------------------------------------------------|
| <b>Syntax</b>      | <b>mismatch-reaction</b> { <b>none</b>   <b>sqelch-rx</b> }                                                             |
| <b>Context</b>     | config>port>otu>psi-tti                                                                                                 |
| <b>Description</b> | This command allows the user to configure the consequent action to a psi-tti mismatch.                                  |
| <b>Default</b>     | None                                                                                                                    |
| <b>Parameters</b>  | <p><b>none</b> — The received traffic is passed through.</p> <p><b>sqelch-rx</b> — The received traffic is blocked.</p> |

## psi-payload

|                    |                                                                                                |
|--------------------|------------------------------------------------------------------------------------------------|
| <b>Syntax</b>      | <b>psi-payload</b>                                                                             |
| <b>Context</b>     | config>port>otu                                                                                |
| <b>Description</b> | This command enables the context to configure payload structure identifier payload parameters. |

## General Port Commands

### expected

|                    |                                                                                                                                                                                                                                                                      |
|--------------------|----------------------------------------------------------------------------------------------------------------------------------------------------------------------------------------------------------------------------------------------------------------------|
| <b>Syntax</b>      | <b>expected</b> { <i>value</i>   <b>auto</b> }                                                                                                                                                                                                                       |
| <b>Context</b>     | config>port>otu>psi-payload                                                                                                                                                                                                                                          |
| <b>Description</b> | This command allows the user to configure the expected received payload type value in byte 0 of the Payload structure identifier (PSI) of the OPU overhead. When this values does not match the received value, the OPU-PLM alarm will be reported if it is enabled. |
| <b>Default</b>     | 3 for 10GE-LAN/WAN or OC192 with OTU encapsulation; 5 for GFP framed 10GE-LAN with OTU encapsulation.                                                                                                                                                                |
| <b>Parameters</b>  | <b>auto</b> — Sets the expected value to the standard value in the payload type field.<br><i>value</i> — Expect a non-standard payload type value in the rx payload type field.                                                                                      |

### mismatch-reaction

|                    |                                                                                                                |
|--------------------|----------------------------------------------------------------------------------------------------------------|
| <b>Syntax</b>      | <b>mismatch-reaction</b> { <b>none</b>   <b>snquelch-rx</b> }                                                  |
| <b>Context</b>     | config>port>otu>psi-payload                                                                                    |
| <b>Description</b> | This command allows the user to configure the consequent action to a psi-payload type mismatch.                |
| <b>Default</b>     | None                                                                                                           |
| <b>Parameters</b>  | <b>none</b> — The received traffic is passed through.<br><b>snquelch-rx</b> — The received traffic is blocked. |

### async-mapping

|                    |                                                                                                                                                                                                                                                                                                                                                                                                                                                                                                                                                                                                                                                                                                                                                                                                                                                             |
|--------------------|-------------------------------------------------------------------------------------------------------------------------------------------------------------------------------------------------------------------------------------------------------------------------------------------------------------------------------------------------------------------------------------------------------------------------------------------------------------------------------------------------------------------------------------------------------------------------------------------------------------------------------------------------------------------------------------------------------------------------------------------------------------------------------------------------------------------------------------------------------------|
| <b>Syntax</b>      | <b>[no] async-mapping</b>                                                                                                                                                                                                                                                                                                                                                                                                                                                                                                                                                                                                                                                                                                                                                                                                                                   |
| <b>Context</b>     | config>port>otu                                                                                                                                                                                                                                                                                                                                                                                                                                                                                                                                                                                                                                                                                                                                                                                                                                             |
| <b>Description</b> | <p>This command allows the user to configure the port to support asynchronous mapping of the payload inside the OTU. If the port is configured for async-mapping and the payload clock is asynchronous to the OTU clock, there will be positive or negative pointer justification that will show up in the OTU statistics and the data will be received error free. If the port is configured for synchronous mapping and the received data is asynchronously mapped, there will be errors in the received data.</p> <p>async-mapping is the only mode of operation that is supported on the OTU3 encapsulated 40-Gigabit Ethernet and therefore the 'no async-mapping' is not supported on that port type and the default on the is async-mapping.</p> <p>The <b>no</b> form of this command configures the port to receive synchronously mapped data.</p> |
| <b>Default</b>     | no async-mapping                                                                                                                                                                                                                                                                                                                                                                                                                                                                                                                                                                                                                                                                                                                                                                                                                                            |



## report-alarms

- Syntax** [no] no report-alarms [loc] [los] [lof] [lom] [otu-ais] [otu-ber-sf] [otu-ber-sd] [otu-bdi] [otu-tim] [otu-iae] [otu-biae] [fec-sf] [fec-sd] [fec-fail] [fec-uncorr] [odu-ais] [odu-oci] [odu-lck] [odu-bdi] [odu-tim] [opu-tim] [opu-plm]
- Context** config>port>otu
- Description** This command enables OTU alarms. Specify specific alarms to add to the list of reported alarms. The **no** form of the command disables OTU alarm reporting.
- Default** loc, los, lof, lom, otu-ais, otu-bdi, fec-sf, fec-sd, odu-ais, odu-oci, odu-lck, odu-bdi, opu-plm
- Parameters** **alarms** — Refer to the following table for alarm descriptions.

| Alarm      | Description                                                                           |
|------------|---------------------------------------------------------------------------------------|
| loc        | Loss of lock                                                                          |
| los        | Loss of signal transitions on the data                                                |
| lof        | Loss of OTU framing                                                                   |
| lom        | Loss of Multi-frame                                                                   |
| otu-ais    | OTU Alarm Indication Signal (all 1s, overwrites all OTU overhead, even framing bytes) |
| otu-ber-sf | SM Signal Fail (based on BPI8)                                                        |
| otu-ber-sd | SM Signal Degrade (based on BPI8)                                                     |
| otu-bdi    | SM Backward defect indication                                                         |
| otu-tim    | SM Trace Id Mismatch                                                                  |
| otu-iae    | SM Incoming Alignment Error                                                           |
| otu-biae   | SM Backward Incoming Alignment Error                                                  |
| fec-sf     | Signal Fail (based on FEC corrected bits)                                             |
| fec-sd     | Signal Degrade (based on FEC corrected bits)                                          |
| fec-fail   | FEC Mode mismatch (EFEC-GFEC) or High Uncorrectable rate (>10E-2)                     |
| fec-uncorr | One or More Uncorrectable FEC errors                                                  |
| odu-ais    | ODU Alarm Indication Signal                                                           |
| odu-oci    | ODU Open connection Indication                                                        |
| odu-lck    | ODU Locked                                                                            |
| odu-bdi    | PM Backward Defect indication                                                         |

## General Port Commands

| Alarm   | Description (Continued)       |
|---------|-------------------------------|
| odu-tim | PM Trace Id Mismatch          |
| opu-tim | OPU PSI Trace Mismatch        |
| opu-plm | OPU PSI Payload Type Mismatch |

### hybrid-buffer-allocation

**Syntax** **hybrid-buffer-allocation**

**Context** config>port

**Description** This command enables the context for configuring hybrid port buffer allocation parameters.

### ing-weight

**Syntax** **ing-weight access** *access-weight* **network** *network-weight*  
**no ing-weight**

**Context** config>port>hybrid-buffer-allocation

**Description** This command configures the sharing of the ingress buffers allocated to a hybrid port among the access and network contexts. By default, it is split equally between network and access.

The **no** form of this command restores the default values for the ingress access and network weights.

**Parameters** *access-weight* — Specifies the access weight as an integer.

**Values** 0 to 100

**Default** 50

*network-weight* — Specifies the network weight as an integer.

**Values** 0 to 100

**Default** 50

### egr-weight

**Syntax** **egr-weight access** *access-weight* **network** *network-weight*  
**no egr-weight**

**Context** config>port>hybrid-buffer-allocation

**Description** This command configures the sharing of the egress buffers allocated to a hybrid port among the access and network contexts. By default, it is split equally between network and access.

The **no** form of this command restores the default values for the egress access and network weights.

|                   |                                                                     |
|-------------------|---------------------------------------------------------------------|
| <b>Parameters</b> | <i>access-weight</i> — Specifies the access weight as an integer.   |
|                   | <p><b>Values</b>     0 to 100</p> <p><b>Default</b>    50</p>       |
|                   | <i>network-weight</i> — Specifies the network weight as an integer. |
|                   | <p><b>Values</b>     0 to 100</p> <p><b>Default</b>    50</p>       |

## modify-buffer-allocation-rate

|                    |                                                                                                                                                                                                                                                                                                                                                                                                                                                                                  |
|--------------------|----------------------------------------------------------------------------------------------------------------------------------------------------------------------------------------------------------------------------------------------------------------------------------------------------------------------------------------------------------------------------------------------------------------------------------------------------------------------------------|
| <b>Syntax</b>      | <b>modify-buffer-allocation-rate</b>                                                                                                                                                                                                                                                                                                                                                                                                                                             |
| <b>Context</b>     | config>port                                                                                                                                                                                                                                                                                                                                                                                                                                                                      |
| <b>Description</b> | This command enables the context to configure ingress and egress percentage of rate parameters. This command only applies to physical ports (for example, it will not work on APS or similar logical ports). The percentage of rate commands are used to define a percentage value that affects the amount of buffers used by ingress and egress port managed buffer space. Enter the modify-buffer-allocation-rate context when editing the port's percentage of rate commands. |

## ing-percentage-of-rate

|                    |                                                                                                                                                                                                                                                                                                                                                                                                                                                                                                                                                                                                                                                                                                                                                                                                                                                                                                                |
|--------------------|----------------------------------------------------------------------------------------------------------------------------------------------------------------------------------------------------------------------------------------------------------------------------------------------------------------------------------------------------------------------------------------------------------------------------------------------------------------------------------------------------------------------------------------------------------------------------------------------------------------------------------------------------------------------------------------------------------------------------------------------------------------------------------------------------------------------------------------------------------------------------------------------------------------|
| <b>Syntax</b>      | <b>ing-percentage-of-rate</b> <i>rate-percentage</i><br><b>no ing-percentage-of-rate</b>                                                                                                                                                                                                                                                                                                                                                                                                                                                                                                                                                                                                                                                                                                                                                                                                                       |
| <b>Context</b>     | config>port>modify-buffer-allocation-rate                                                                                                                                                                                                                                                                                                                                                                                                                                                                                                                                                                                                                                                                                                                                                                                                                                                                      |
| <b>Description</b> | <p>This command increases or decreases the active bandwidth associated with the ingress port that affects the amount of ingress buffer space managed by the port. Changing a port's active bandwidth using the ing-percentage-of-rate command is an effective means of artificially lowering the buffers managed by one ingress port and giving them to other ingress ports on the same MDA.</p> <p>The ing-percentage-of-rate command accepts a percentage value that increases or decreases the active bandwidth based on the defined percentage. A value of 50% causes the active bandwidth to be reduced by 50%. A value of 150% causes the active bandwidth to be increased by 50%. Values from 1 to 1000 percent are supported.</p> <p>A value of 100 (the default value) is equivalent to executing the no ing-percentage-of-rate command and restores the ingress active rate to the normal value.</p> |
| <b>Parameters</b>  | <p><i>rate-percentage</i> — The rate-percentage parameter is required and defines the percentage value used to modify the current ingress active bandwidth of the port. This does not actually change the bandwidth available on the port in any way. The defined rate-percentage is multiplied by the ingress active bandwidth of the port. A value of 150 results in an increase of 50% (1.5 x Rate).</p> <p><b>Values</b>     1 to 1000</p> <p><b>Default</b>    100 (no change to active rate)</p>                                                                                                                                                                                                                                                                                                                                                                                                         |

## General Port Commands

The **no ing-percentage-of-rate** command is used to remove any artificial increase or decrease of the ingress active bandwidth used for ingress buffer space allocation to the port. The **no ing-percentage-of-rate** command sets *rate-percentage* to 100%.

### egr-percentage-of-rate

**Syntax**     **egr-percentage-of-rate** *rate-percentage*  
              **no egr-percentage-of-rate**

**Context**     config>port>modify-buffer-allocation-rate

**Description**     The **egr-percentage-of-rate** command is used to increase or decrease the active bandwidth associated with the egress port that affects the amount of egress buffer space managed by the port. Changing a port's active bandwidth using the **egr-percentage-of-rate** command is an effective means of artificially lowering the buffers managed by one egress port and giving them to other egress ports on the same MDA.

The **egr-percentage-of-rate** command accepts a percentage value that increases or decreases the active bandwidth based on the defined percentage. A value of 50% causes the active bandwidth to be reduced by 50%. A value of 150% causes the active bandwidth to be increased by 50%. Values from 1 to 1000 percent are supported.

A value of 100 (the default value) is equivalent to executing the **no egr-percentage-of-rate** command and restores the egress active rate to the normal value.

**Parameters**     *rate-percentage* — The *rate-percentage* parameter is required and defines the percentage value used to modify the current egress active bandwidth of the port. This does not actually change the bandwidth available on the port in any way. The defined *rate-percentage* is multiplied by the egress active bandwidth of the port. A value of 150 results in an increase of 50% (1.5 x Rate).

**Values**        1 to 1000

**Default**       100 (no change to active rate)

The **no egr-percentage-of-rate** command is used to remove any artificial increase or decrease of the egress active bandwidth used for egress buffer space allocation to the port. The **no egr-percentage-of-rate** command sets *rate-percentage* to 100%.

### egress-scheduler-override

**Syntax**     [no] **egress-scheduler-override**

**Context**     config>port>sonet-sdh>path  
              config>port>ethernet  
              config>port>tdm>ds3  
              config>port>tdm>ds1>channel-group  
              config>port>tdm>e1>channel-group  
              config>port>tdm>e3

**Description**     This command applies egress scheduler overrides. When a port scheduler is associated with an egress port, it is possible to override the following parameters:

- The **max-rate** allowed for the scheduler.
- The maximum **rate** for each priority level 8 through 1.
- The CIR associated with each priority level 8 through 1.

See the 7750 SR OS Quality of Service Guide for command syntax and usage for the **port-scheduler-policy** command.

The **no** form of this command removes all override parameters from the egress port or channel scheduler context. Once removed, the port scheduler reverts all rate parameters back to the parameters defined on the port-scheduler-policy associated with the port.

## level

**Syntax** **level** *priority-level* **rate** *pir-rate* [**cir** *cir-rate*]  
**no level** *priority-level*

**Context** config>port>ethernet>egress-scheduler-override  
 config>port>sonet-sdh>path>egress-scheduler-override  
 config>port>tdm>ds3>egress-scheduler-override  
 config>port>tdm>ds1>channel-group>egress-scheduler-override  
 config>port>tdm>e3

**Description** This command overrides the maximum and CIR rate parameters for a specific priority level on the port or channel's port scheduler instance. When the **level** command is executed for a priority level, the corresponding priority level command in the port-scheduler-policy associated with the port is ignored. The override level command supports the keyword **max** for the **rate** and **cir** parameter. When executing the level override command, at least the **rate** or **cir** keywords and associated parameters must be specified for the command to succeed.

The **no** form of this command removes the local port priority level rate overrides. Once removed, the port priority level will use the port scheduler policies level command for that priority level.

**Parameters** *priority-level* — Identifies which of the eight port priority levels are being overridden.

**Values** 1 — 8

**rate** *pir-rate* — Overrides the port scheduler policy's maximum level rate and requires either the **max** keyword or a rate defined in kilobits-per-second to follow.

**Values** 1 — 40000000, max

**cir** *cir-rate* — Overrides the port scheduler policy's within-cir level rate and requires either the **max** keyword or a rate defined in kilobits-per-second to follow.

**Values** 0 — 40000000, max

**max** — removes any existing rate limit imposed by the port scheduler policy for the priority level allowing it to use as much total bandwidth as possible.

## General Port Commands

### max-rate

**Syntax**    **max-rate** *rate*  
              **no max-rate**

**Context**    config>port>ethernet>egress-scheduler-override  
              config>port>sonet-sdh>path>egress-scheduler-override  
              config>port>tdm>ds3>egress-scheduler-override  
              config>port>tdm>ds1>channel-group>egress-scheduler-override  
              config>port>tdm>e3>egress-scheduler-override  
              config>port>tdm>e1>channel-group>egress-scheduler-override

**Description**    This command overrides the **max-rate** parameter found in the port-scheduler-policy associated with the port. When a max-rate is defined at the port or channel level, the port scheduler policies max-rate parameter is ignored.

The egress-scheduler-override **max-rate** command supports a parameter that allows the override command to restore the default of not having a rate limit on the port scheduler. This is helpful when the port scheduler policy has an explicit maximum rate defined and it is desirable to remove this limit at the port instance.

The **no** form of this command removes the maximum rate override from the egress port or channels port scheduler context. Once removed, the max-rate parameter from the port scheduler policy associated with the port or channel will be used by the local scheduler context.

**Parameters**    *rate* — Specifies the explicit maximum frame based bandwidth limit. This value overrides the QoS scheduler policy rate.

**Values**        1 — 40000000, max

### egress-scheduler-policy

**Syntax**        **egress-scheduler-policy** *port-scheduler-policy-name*  
                  **no egress-scheduler-policy**

**Context**        config>port>ethernet  
                  config>port>tdm>ds3  
                  config>port>tdm>ds1>channel-group  
                  config>port>tdm>e3  
                  config>port>tdm>ds3>channel-group

**Description**    This command enables the provisioning of an existing port-scheduler-policy to a port or channel.

The egress-scheduler-override node allows for the definition of the scheduler overrides for a specific port or channel.

When a port scheduler is active on a port or channel, all queues and intermediate service schedulers on the port are subject to receiving bandwidth from the scheduler. Any queues or schedulers with port-parent associations are mapped to the appropriate port priority levels based on the port-parent command parameters. Any queues or schedulers that do not have a port-parent or valid intermediate scheduler parent defined are treated as orphaned and are handled based on the port scheduler policies default or explicit orphan behavior.

The port scheduler maximum rate and priority level rate parameters may be overridden to allow unique values separate from the port-scheduler-policy-name attached to the port or channel. Use the **egress-scheduler-override** command to specify the port or channel specific scheduling parameters.

The command used to associate an egress scheduler policy on the port is overloaded for HSMDA. HSMDA policies should be associated with HSMDA ports.

The **no** form of this command removes a port scheduler policy from an egress port or channel. Once the scheduler policy is removed, all orphaned queues and schedulers revert to a free running state governed only by the local queue or scheduler parameters. This includes any queues or schedulers with a port-parent association.

**Parameters** *port-scheduler-policy-name* — Specifies an existing port-scheduler-policy configured in the **config>qos** context.

## elmi

**Syntax** **elmi**

**Context** config>port>ethernet

**Description** This command configures Ethernet Local Management Interface (E-LMI) parameters for the Ethernet port. E-LMI is only supported on Ethernet access ports with Dot1q encapsulation type.

## mode

**Syntax** **mode {none | uni-n}**

**Context** config>port>ethernet>elmi

**Description** This command configures the the Ethernet LMI mode.

**Default** none

**Parameters** **none** — Specifies that the E LMI mode is set to none.  
**uni-n** — Specifies that the E LMI mode is set to uni-n.

## n393

**Syntax** **n393 [2..10]**  
**no n393**

**Context** config>port>ethernet>elmi

**Description** This command configures the monitored count of consecutive errors.

**Parameters** **2 .. 10** — Specifies the monitored count of consecutive errors.

## General Port Commands

### t391

|                    |                                                      |
|--------------------|------------------------------------------------------|
| <b>Syntax</b>      | <b>t391</b> [5..30]<br><b>no t391</b>                |
| <b>Context</b>     | config>port>ethernet>elmi                            |
| <b>Description</b> | This command configures the polling timer for UNI-C. |
| <b>Parameters</b>  | 5 ..30 — Specifies the polling timer for UNI-C.      |

### t392

|                    |                                                                   |
|--------------------|-------------------------------------------------------------------|
| <b>Syntax</b>      | <b>t392</b> [5..30]<br><b>no t392</b>                             |
| <b>Context</b>     | config>port>ethernet>elmi                                         |
| <b>Description</b> | This command configures the polling verification timer for UNI-N. |
| <b>Parameters</b>  | 5 .. 30 — Specifies the polling verification timer for UNI-N.     |

### mode

|                    |                                                                                                                                                                                                                                                                                                                                                                                                                                                                                                                                                                                                                                                                                                                                                                                                                                                                                                                                                                                                                                                                                                                                                                                                                                                |
|--------------------|------------------------------------------------------------------------------------------------------------------------------------------------------------------------------------------------------------------------------------------------------------------------------------------------------------------------------------------------------------------------------------------------------------------------------------------------------------------------------------------------------------------------------------------------------------------------------------------------------------------------------------------------------------------------------------------------------------------------------------------------------------------------------------------------------------------------------------------------------------------------------------------------------------------------------------------------------------------------------------------------------------------------------------------------------------------------------------------------------------------------------------------------------------------------------------------------------------------------------------------------|
| <b>Syntax</b>      | <b>mode</b> { <b>access</b>   <b>network</b>   <b>hybrid</b> }<br><b>no mode</b>                                                                                                                                                                                                                                                                                                                                                                                                                                                                                                                                                                                                                                                                                                                                                                                                                                                                                                                                                                                                                                                                                                                                                               |
| <b>Context</b>     | config>port>ethernet<br>config>port>sonet-sdh>path<br>config>port>tdm>ds1>channel-group<br>config>port>tdm>ds3<br>config>port>tdm>e1>channel-group<br>config>port>tdm>e3                                                                                                                                                                                                                                                                                                                                                                                                                                                                                                                                                                                                                                                                                                                                                                                                                                                                                                                                                                                                                                                                       |
| <b>Description</b> | <p>This command configures an Ethernet port, TDM channel, or SONET/SDH path (sub-port) for <b>access</b>, <b>network</b> or <b>hybrid</b> mode operation.</p> <p>An <b>access</b> port or channel is used for customer facing traffic on which services are configured. A Service Access Point (SAP) can only be configured on an access port or channel. When a port is configured for access mode, the appropriate <b>encap-type</b> must be specified to distinguish the services on the port or SONET path. Once an Ethernet port, a TDM channel or a SONET path has been configured for access mode, multiple services can be configured on the Ethernet port, a TDM channel or SONET path. Note that ATM, Frame Relay, and cHDLC port parameters can only be configured in the access mode.</p> <p>An access port or channel is used for customer facing traffic on which services are configured. A Service Access Point (SAP) can only be configured on an access port or channel. When a port is configured for access mode, the appropriate encap-type must be specified to distinguish the services on the port or SONET path. Once an Ethernet port, a TDM channel or a SONET path has been configured for access mode, multi-</p> |



ple services can be configured on the Ethernet port, a TDM channel or SONET path. Note that ATM, Frame Relay, and cHDLC port parameters can only be configured in the access mode.

A network port or channel participates in the service provider transport or infrastructure network when a network mode is selected. When the network option is configured, the `encap-type` cannot be configured for the port/channel.

When network mode is selected on a SONET/SDH path, the appropriate control protocols are activated when the need arises. For example, configuring an IP interface on the SONET path activates IPCP while the removal of the IP interface causes the IPCP to be removed. The same applies for MPLS, MPLSCP, and OSICP. When configuring a SONET/SDH port, the `mode` command must be entered in the channel context or an error message is generated.

A hybrid Ethernet port allows the combination of network and access modes of operation on a per-VLAN basis and must be configured as either dot1q or QinQ encapsulation.

When the hybrid port is configured to the dot1q encapsulation, the user configures a SAP inside a service simply by providing the SAP ID which must include the port-id value of the hybrid mode port and an unused VLAN tag value. The format is `<port-id>:qtag1`. A SAP of format `<port-id>:*` also supported.

The user configures a network IP interface under `config>router>interface>port` by providing the port name which consists of the port-id of the hybrid mode port and an unused VLAN tag value. The format is `<port-id>:qtag1`. The user must explicitly enter a valid value for qtag1. The `<port-id>:*` value is not supported on a network IP interface. The 4096 VLAN tag space on the port is shared among VLAN SAPs and VLAN network IP interfaces.

When the hybrid port is configured to QinQ encapsulation, the user configures a SAP inside a service simply by providing the SAP ID which must include the port-id value of the hybrid mode port and the outer and inner VLAN tag values. The format is `<port-id>:qtag1.qtag2`. A SAP of format `<port-id>: qtag1.*` is also supported. The outer VLAN tag value must not have been used to create an IP network interface on this port. In addition, the qtag1.qtag2 value combination must not have been used by another SAP on this port.

The user configures a network IP interface under `config>router>interface>port` by providing the port name which consists of the port-id of the hybrid mode port and a VLAN tag value. The format is `<port-id>:qtag1.*`. An outer VLAN tag qtag2 of \* is used to create an IP network interface. In addition, the qtag1.qtag2 value combination must not have been used on another SAP or IP network interface on this port.

The `no` form of this command restores the default.

|                      |                                                                                                                                                                                                                                                                                                                                                                                                                                                               |
|----------------------|---------------------------------------------------------------------------------------------------------------------------------------------------------------------------------------------------------------------------------------------------------------------------------------------------------------------------------------------------------------------------------------------------------------------------------------------------------------|
| <b>Special Cases</b> | <b>SONET/SDH Path</b> — When network mode is selected, the appropriate control protocols are activated when the need arises. For example, configuring an IP interface on the SONET path activates IPCP while the removal of the IP interface causes the IPCP to be removed. The same applies for MPLS, MPLSCP, and OSICP. When configuring a SONET/SDH port, the <b>mode</b> command must be entered in the channel context or an error message is generated. |
| <b>Default</b>       | <b>network</b> — Configures the Ethernet port, TDM channel or SONET path for transport network use.<br><b>access</b> — Default channel/port mode for channelized, ASAP, and ATM MDAs.                                                                                                                                                                                                                                                                         |
| <b>Parameters</b>    | <b>network</b> — Configures the Ethernet port, TDM channel or SONET path as service access.<br><b>access</b> — Configures the Ethernet port, TDM channel or SONET path for transport network use.<br><b>hybrid</b> — Configures the Ethernet port for hybrid use.                                                                                                                                                                                             |

### per-link-hash

|                    |                                                                                                                                                      |
|--------------------|------------------------------------------------------------------------------------------------------------------------------------------------------|
| <b>Syntax</b>      | <b>[no] per-link-hash</b>                                                                                                                            |
| <b>Context</b>     | config>lag                                                                                                                                           |
| <b>Description</b> | When specified, <b>per-link-hash</b> sends SAP/interface traffic over a single link of a LAG auto-rebalancing as links are added/removed from a LAG. |

### mac

|                    |                                                                                                                                                                                                                                                                                                                                                                                                                                                                                                                                                       |
|--------------------|-------------------------------------------------------------------------------------------------------------------------------------------------------------------------------------------------------------------------------------------------------------------------------------------------------------------------------------------------------------------------------------------------------------------------------------------------------------------------------------------------------------------------------------------------------|
| <b>Syntax</b>      | <b>mac <i>ieee-address</i></b><br><b>no mac</b>                                                                                                                                                                                                                                                                                                                                                                                                                                                                                                       |
| <b>Context</b>     | config>port>ethernet<br>config>port>sonet-sdh>path<br>config>port>tdm>ds1>channel-group<br>config>port>tdm>ds3<br>config>port>tdm>e1>channel-group<br>config>port>tdm>e3<br>config>lag<br>config>eth-tunnel                                                                                                                                                                                                                                                                                                                                           |
| <b>Description</b> | <p>This command assigns a specific MAC address to an Ethernet port, Link Aggregation Group (LAG), Ethernet tunnel, or BCP-enabled port or sub-port.</p> <p>Only one MAC address can be assigned to a port. When multiple <b>mac</b> commands are entered, the last command overwrites the previous command. When the command is issued while the port is operational, IP will issue an ARP, if appropriate, and BPDU's are sent with the new MAC address.</p> <p>The <b>no</b> form of this command returns the MAC address to the default value.</p> |
| <b>Default</b>     | A default MAC address is assigned by the system from the chassis MAC address pool.                                                                                                                                                                                                                                                                                                                                                                                                                                                                    |
| <b>Parameters</b>  | <i>ieee-address</i> — Specifies the 48-bit MAC address in the form aa:bb:cc:dd:ee:ff or aa-bb-cc-dd-ee-ff where aa, bb, cc, dd, ee and ff are hexadecimal numbers. Allowed values are any non-broadcast, non-multicast MAC and non-IEEE reserved MAC addresses.                                                                                                                                                                                                                                                                                       |

## mtu

**Syntax** **mtu** *mtu-bytes*  
**no mtu**

**Context** config>port>ethernet  
 config>port>sonet-sdh>path  
 config>port>tdm>ds1>channel-group  
 config>port>tdm>ds3  
 config>port>tdm>e1>channel-group  
 config>port>tdm>e3

**Description** This command configures the maximum payload MTU size for an Ethernet port or PPP-enabled port or subport and Frame Relay-enabled port or subport. The Ethernet port level MTU parameter indirectly defines the largest physical packet the port can transmit or the far-end Ethernet port can receive. Packets received larger than the MTU will be discarded. Packets that cannot be fragmented at egress and exceed the MTU are discarded.

The value specified for the MTU includes the destination MAC address, source MAC address, the Ethertype or Length field and the complete Ethernet payload. The MTU value does not include the preamble, start of frame delimiter or the trailing CRC.

PoS channels use the MTU to define the largest PPP payload a PoS frame may contain. A significant difference between SONET/SDH PoS channel and Ethernet physical MTU values the overhead considered part of the framing method and the overhead considered to be part of the application using the frame. In Ethernet, the preamble, start of frame delimiter and the CRC are considered part of the framing overhead and not part of the frame payload. For a PoS channel, the HDLC framing overhead is not included in the physical MTU; only the PPP and PPP payload are included. If the port mode or encapsulation type is changed, the MTU assumes the default values of the new mode or encapsulation type.

The **no** form of this command restores the default values.

**Default** The default MTU value depends on the (sub-)port type, mode and encapsulation and are listed in the following table:

| Type                   | Mode   | Encap Type  | Default (Bytes) |
|------------------------|--------|-------------|-----------------|
| 10/100, Gig, or 10GigE | Access | null        | 1514            |
| 10/100, Gig, or 10GigE | Access | dot1q       | 1518            |
| 10/100, Gig, or 10GigE | Access | q-in-q      | 1522            |
| SONET/SDH or TDM       | Access | mpls        | 1506            |
| SONET/SDH or TDM       | Access | bcp-null    | 1518            |
| SONET/SDH or TDM       | Access | bcp-dot1q   | 1522            |
| SONET/SDH or TDM       | Access | ipcp        | 1502            |
| SONET/SDH or TDM       | Access | frame-relay | 1578            |

## General Port Commands

| Type                         | Mode           | Encap Type      | Default (Bytes) |
|------------------------------|----------------|-----------------|-----------------|
| <i>ATM, SONET/SDH or TDM</i> | <i>Access</i>  | <i>atm</i>      | <i>1524</i>     |
| 10/100 or 100FX Ethernet     | Network        | null            | 1514            |
| 10/100 or 100FX Ethernet     | Network        | dot1q           | 1518            |
| <i>SONET/SDH</i>             | <i>Network</i> | <i>ppp-auto</i> | <i>1524</i>     |

**Parameters** *mtu-bytes* — Sets the maximum allowable size of the MTU, expressed as an integer.

**Values** 512 — 9212  
config>port>sonet-sdh>path512 — 9208  
config>port>tdm>ds3 512 — 9208  
config>port>tdm>ds1>channel-group512 — 9208  
config>port>tdm>e3 512 — 9208  
config>port>tdm>e1>channel-group512 — 9208

## network

**Syntax** **network**

**Context** config>port>tdm>ds1>channel-group  
config>port>tdm>e1>channel-group

**Description** This command enables the context to configure network channel group parameters.

## queue-policy

**Syntax** **queue-policy** *name*  
**no queue-policy**

**Context** config>port>tdm>ds1>channel-group>network  
config>port>tdm>e1>channel-group>network

**Description** This command specifies an existing network policy to apply to the channel group.

## queue-policy

|                    |                                                                                                                                                                                                                                                                                             |
|--------------------|---------------------------------------------------------------------------------------------------------------------------------------------------------------------------------------------------------------------------------------------------------------------------------------------|
| <b>Syntax</b>      | <b>queue-policy</b> <i>name</i><br><b>no queue-policy</b>                                                                                                                                                                                                                                   |
| <b>Context</b>     | config>card>mda>network>ingress<br>config>port>sonet-sdh>path>network                                                                                                                                                                                                                       |
| <b>Description</b> | This command specifies the network-queue policy which defines queue parameters such as CBS, high priority only burst size, MBS, CIR and PIR rates, as well as forwarding-class to queue mappings. The network-queue policy is defined in the <b>config&gt;qos&gt;network-queue</b> context. |
| <b>Default</b>     | default                                                                                                                                                                                                                                                                                     |
| <b>Parameters</b>  | <i>name</i> — Specifies an existing network-queue policy name.                                                                                                                                                                                                                              |

## ppp

|                    |                                                                                                                                                                                     |
|--------------------|-------------------------------------------------------------------------------------------------------------------------------------------------------------------------------------|
| <b>Syntax</b>      | <b>ppp</b>                                                                                                                                                                          |
| <b>Context</b>     | config>port>sonet-sdh>path<br>config>port>tdm>ds1>channel-group<br>config>port>tdm>ds3<br>config>port>tdm>e1>channel-group<br>config>port>tdm>e3                                    |
| <b>Description</b> | This command enables access to the context to configure the LCP operational parameters for a SONET/SDH PoS link, a DS--3/E-3 port or channel, a DS-1/E-1 channel or a DS-0 channel. |
| <b>Default</b>     | no ppp                                                                                                                                                                              |

## compress

|                    |                                                                                                                                                                                                                                                                                                                                                                           |
|--------------------|---------------------------------------------------------------------------------------------------------------------------------------------------------------------------------------------------------------------------------------------------------------------------------------------------------------------------------------------------------------------------|
| <b>Syntax</b>      | <b>compress</b> { <b>acfc</b> [ <b>pfc</b> ]   <b>pfc</b> [ <b>acfc</b> ]}<br><b>no compress</b>                                                                                                                                                                                                                                                                          |
| <b>Context</b>     | config>port>tdm>ds1>channel-group>ppp<br>config>port>tdm>e1>channel-group>ppp                                                                                                                                                                                                                                                                                             |
| <b>Description</b> | This command enables and disables Protocol Field Compression (PFC) per RFC 1661, <i>The Point-to-Point Protocol (PPP)</i> , Section 6.5 and Address and Control Field Compression (ACFC) as per Section 6.6.<br><br>This command is only supported on DS-1 and E-1 channel groups on ASAP MDAs.<br><br>The <b>no</b> form of the command disables the header compression. |
| <b>Default</b>     | no compress                                                                                                                                                                                                                                                                                                                                                               |
| <b>Parameters</b>  | <b>acfc</b> — Specifies address and control field compression.<br><br><b>pfc</b> — specifies protocol field compression.                                                                                                                                                                                                                                                  |

## ber-sf-link-down

|                    |                                                                                                                                                                                                                                                                      |
|--------------------|----------------------------------------------------------------------------------------------------------------------------------------------------------------------------------------------------------------------------------------------------------------------|
| <b>Syntax</b>      | <b>[no] ber-sf-link-down</b>                                                                                                                                                                                                                                         |
| <b>Context</b>     | config>port>tdm>ds1>channel-group>ppp<br>config>port>tdm>e1>channel-group>ppp                                                                                                                                                                                        |
| <b>Description</b> | This command enables the port down on BER-SF alarm. When enabled, the link will be placed out of service once ber-sf is detected.<br><br>The <b>no</b> form of the command reverts to normal operation where the link remains in-service when ber-sf is encountered. |
| <b>Default</b>     | no ber-sf-link-down                                                                                                                                                                                                                                                  |

## report-alarm

|                    |                                                                                                                                                                                                                                                                                                                                                                                                                                                                                                                                                                                                                                                                                                                                                                                          |
|--------------------|------------------------------------------------------------------------------------------------------------------------------------------------------------------------------------------------------------------------------------------------------------------------------------------------------------------------------------------------------------------------------------------------------------------------------------------------------------------------------------------------------------------------------------------------------------------------------------------------------------------------------------------------------------------------------------------------------------------------------------------------------------------------------------------|
| <b>Syntax</b>      | <b>[no] report-alarm [ais] [los] [oof] [rai] [looped]</b>                                                                                                                                                                                                                                                                                                                                                                                                                                                                                                                                                                                                                                                                                                                                |
| <b>Context</b>     | config>port>tdm> ds3<br>config>port>tdm> e3                                                                                                                                                                                                                                                                                                                                                                                                                                                                                                                                                                                                                                                                                                                                              |
| <b>Description</b> | This command enables logging of DS-3 and E-3 alarms for a DS-3/E-3 port or channel.<br><br>The <b>no</b> form of this command disables logging of the specified alarms.                                                                                                                                                                                                                                                                                                                                                                                                                                                                                                                                                                                                                  |
| <b>Parameters</b>  | <b>ais</b> — Reports alarm indication signal errors. When configured, <b>ais</b> alarms are not raised and cleared.<br><b>Default</b> <b>ais</b> alarms are issued<br><b>los</b> — Reports loss of signal errors. When configured, <b>los</b> traps are not raised and cleared.<br><b>Default</b> <b>los</b> traps are issued.<br><b>oof</b> — Reports out-of-frame errors. When configured, <b>oof</b> alarms are not raised and cleared.<br><b>Default</b> <b>oof</b> alarms are not issued.<br><b>rai</b> — Reports resource availability indicator events. When configured, <b>rai</b> events are not raised and cleared.<br><b>Default</b> <b>rai</b> alarms are not issued<br><b>looped</b> — Reports looped packets errors.<br><b>Default</b> <b>looped</b> alarms are not issued |

## scramble

**Syntax** [no] **scramble**

**Context** config>port>tdm>ds1>channel-group  
 config>port>tdm>ds3  
 config>port>tdm>e1>channel-group  
 config>port>tdm>e3

**Description** This command enables payload scrambling on channel groups.

Scrambling randomizes the pattern of 1s and 0s carried in a SONET frame. Rearranging or scrambling the pattern prevents continuous strings of all 1s or all 0s and meets the needs of physical layer protocols that rely on sufficient transitions between 1s and 0s to maintain clocking.

For ATM, this command enables or disables ATM cell-level payload scrambling/descrambling using  $x^{43}+1$  polynomial as defined in ITU-T I.432.1. Scrambling is enabled by default for the ATM path/channel. Note that this scrambling is done in addition to SONET/SDH frame scrambling/descrambling, which is always enabled in the framer.

The **no** form of this command disables scrambling.

**Default** no scramble

## keepalive

**Syntax** **keepalive** *time-interval* [**dropcount** *drop-count*]  
**no keepalive**

**Context** config>port>sonet-sdh>path>ppp  
 config>port>tdm>ds1>channel-group>cisco-hdlc  
 config>port>tdm>ds1>channel-group>ppp  
 config>port>tdm>ds3>ppp  
 config>port>tdm>e1>ppp  
 config>port>tdm>e3>ppp

**Description** This command sets the keepalive interval.

The **no** form of this command returns the interval to the default value.

**Default** 10

**Parameters** *time-interval* — Specifies the time in seconds between keepalive messages, expressed as a decimal integer.

**Values** 1 — 60 seconds

*drop-count* — Specifies the number of consecutive keepalive failed request attempts or remote replies that can be missed after which the port is operationally downed.

**Values** 1 — 255

---

## APS Commands

### aps

**Syntax**    **aps**

**Context**    config>port

**Description**    This command configures APS (Automatic Protection Switching). APS is used by SONET/SDH add/drop multiplexers (ADMs) or other SONET/SDH-capable equipment to protect against circuit or equipment failure.

An APS group contains a working and a protect circuit and can span a single node (SC-APS) or two nodes (MC-APS).

The working and protection configurations on Alcatel-Lucent 7750 SRs must match the circuit configurations on the peer. This means that the working circuit on the 7750 SR must be connected to the peer's working circuit and the protect circuit must be connected to the peer's protection circuit.

The **aps** command is only available for APS groups and not physical ports.

**Default**    none

### advertise-interval

**Syntax**    **advertise-interval** *advertise-interval*  
**no advertise-interval**

**Context**    config>port>aps

**Description**    This command specifies the time interval, in 100s of milliseconds, between 'I am operational' messages sent by both protect and working circuits to their neighbor for multi-chassis APS.

The **advertise-interval** value is valid only for a multi-chassis APS as indicated by the value of the **neighbor** command value if it is not set to 0.0.0.0.

**Default**    10

**Parameters**    *advertise-interval* — Specifies the time interval, in 100s of milliseconds, between 'I am operational' messages sent by both protect and working circuits to their neighbor for multi-chassis APS.

**Values**    10 — 650



## hold-time

**Syntax** **hold-time** *hold-time*  
**no hold-time**

**Context** config>port>aps

**Description** This command specifies how much time can pass, in 100s of milliseconds, without receiving an advertise packet from the neighbor before the multi-chassis signaling link is considered not operational.

The **hold-time** is usually 3 times the value of the **advertise-interval**. The value of the **advertise-interval** is valid only for a multi-chassis APS as indicated by the value of neighbor IP address if it is not set to 0.0.0.0.

**Parameters** *hold-time* — Specifies how long to wait for an APS advertisement packet before the peer in a Multi-Chassis APS group is considered operationally down.

**Values** 10 — 650

## hold-time-aps

**Syntax** **hold-time-aps** [**!signal-failure** *sf-time*] [**!signal-degrade** *sd-time*]  
**no hold-time-aps**

**Context** config>port>aps

**Description** This command configures hold-down timers to debounce signal failure conditions (lais, b2err-sf) and signal degrade conditions (b2err-sd) for Uni 1+1 Sig+Data APS switching mode (switching mode uni-1plus1).

The **no** version of this command resets hol a specified string expression from an app-filter definition.

**Default** 0 (disabled)

**Parameters** *sf-time* — Specifies an integer to define the signal failure hold-down time in milliseconds.

**Values** 1 — 100

*sd-time* — Specifies an integer to define the signal degrade hold-down time in milliseconds.

**Values** 1 — 100

## mode-annexb

**Syntax** [**no**] **mode-annexb**

**Context** config>port>aps

**Description** This command configures the aps group for 1+1 Optimized operation as described in Annex B of ITU.T G.841. Note that Annex B operates in non-revertive bi-directional switching mode only as defined in G.841.

## neighbor

**Syntax** **neighbor** *ip-address*  
**no neighbor**

**Context** config>port>aps

**Description** This command specifies the neighbor's IP address only on a multi-chassis APS where the working and protect circuits are configured on different routers. When the value the neighbor IP address is set to 0.0.0.0, this implies that the APS group is configured as a single-chassis APS group.

The route to the neighbor must not traverse the multi-chassis APS member (working or protect) circuits. It is recommended that the neighbor IP address configured is on a shared network between the routers that own the working and protect circuits.

By default no neighbor address is configured and both the working and protect circuits should be configured on the same router (i.e., single-chassis APS). APS is assumed to be configured wholly on a single chassis.

**Parameters** *ip-address* — Specifies the neighbor's IP address only on a multi-chassis APS where the working and protect circuits are configured on different routers. The node should be connected with a direct interface to ensure optimum fail-over time.

**Values**

|               |                                     |
|---------------|-------------------------------------|
| ipv4-address: | a.b.c.d                             |
| ipv6-address: | x:x:x:x:x:x:x (eight 16-bit pieces) |
|               | x:x:x:x:x.d.d.d                     |
|               | x: [0 — FFFF]H                      |
|               | d: [0 — 255]D                       |

## protect-circuit

**Syntax** **protect-circuit** *port-id*  
**no protect-circuit**

**Context** config>port>aps

**Description** This command configures a physical port that will act as the protection circuit for this APS group. The protect circuit port must contain only the default configuration and cannot belong to another APS group. The protect circuit port must be of the same type as the working circuit for the APS group, for the port to be added to an APS group port. If that's not the case, the command will return an error.

A protection circuit can only be added if the working circuit already exists; the protection circuit must be removed from the configuration before the working circuit is removed.

When a port is a protect-circuit of an APS group, the configuration options available in the **config>port** *port-id>sonet-sdh* context is not allowed for that port unless it is part of the noted exceptions. The exception list includes these SONET/SDH commands:

- clock-source
- [no] loopback
- [no] report-alarm
- section-trace
- [no] threshold

When is port configured as a protection circuit of an APS group, the configurations described above and all service configurations related to APS port are operationally inherited by the protect circuit. If the protect circuit cannot inherit the configurations (due to resource limitations), the configuration attempt fails and an error is returned to the user.

The protect circuit must be shutdown before it can be removed from the APS group port. The inherited configuration for the circuit and APS operational commands for that circuit are not preserved when the circuit is removed from the APS group.

The **no** form of this command removes the protect-circuit.

**Default** none

**Parameters** *port-id* — Specify the physical port that will act as the protection circuit for this APS group in the *slot/mda/port* format.

**Syntax:** *port-id:* *slot/mda/port*

Also see [Modifying Hold-Down Timer Values on page 357](#) for information about modifying the timer defaults in the event of communication delays between the APS controllers.

## rdi-alarms

**Syntax** **rdi-alarms** [**suppress** | **circuit**]

**Context** config>port>aps

**Description** This command configures how RDI alarms (line, path, section) are generated on physical circuits of an APS ports. The command configuration changes are supported only for switching-mode set to uni\_1plus1. The configuration can be changed only when no working and protecting circuit has been added. Options:

- **circuit**—RDI alarms are H/W-generated independently on each working and protect circuit based on RX failure of that circuit regardless of APS line status.
- **suppress**—RDI H/W generation on working and protect circuits is suppressed. No alarms are generated on RX failure of that circuit.

**Default** **rdi-alarms circuit**

## revert-time

**Syntax** **revert-time** *minutes*  
**no revert-time**

**Context** config>port>aps

**Description** This command configures the revert-time timer to determine how long to wait before switching back to the working circuit after that circuit has been restored into service.

A change in the *minutes* value takes effect upon the next initiation of the wait to restore (WTR) timer. It does not modify the length of a WTR timer that has already been started. The WTR timer of a non-revertive switch can be assumed to be infinite.

## APS Commands

The **no** form of this command restores the default (non-revertive mode).

**Default** The default is to not revert back unless the protect circuit fails or operator intervention.

**Parameters** *minutes* — Specify the time, in minutes, to wait before reverting back to the original working circuit after it has been restored into service.

**Values** 0— 60 minutes

**Default** 5

## switching-mode

**Syntax** **switching-mode** {**uni-1plus1 (R8.0)** | **bi-directional** | **uni-directional**}

**Context** config>port>aps

**Description** This command configures the switching mode for the APS group.

**Parameters** **bi-directional** — Configures the group to operate in Bidirectional 1+1 Signalling APS mode.

**uni-directional** — Configures the group to operate in Unidirectional 1+1 Signalling APS mode.

**uni-1plus1** — Configures the group to operate in Unidirectional 1+1 Signalling and Datapath APS mode (7750 SR-c4/c12 platforms only).

## working-circuit

**Syntax** **working-circuit** *port-id* [**number** *number*]

**Context** config>port>aps

**Description** This command configures a physical port that will act as the working circuit for this APS group. The working circuit port must contain only the default configuration and cannot be part of another APS group. The working circuit must be created before the protection circuit.

When a port is a working circuit of an APS group, the configuration available under **config>port** *port-id* context (including submenus) is not allowed for that port unless it is a part of the noted exceptions.

When a port is being configured as a working circuit of an APS group, all common configuration as described above and all service configurations related to the APS port is operationally inherited by the working circuit from the *aps-group-id*. If the working circuit cannot inherit that configuration, for example, due to resource limitations, the configuration attempt fails and an error is returned to the user.

Before a working circuit can be removed from an APS group, the working circuit port must be shutdown. The inherited configuration for the circuit and APS operational commands for that circuit are not preserved when the circuit is removed from the APS group.

Note that all configurations for *aps-group-id* under the **config>port** context and its submenus and all configuration for services that use this *aps-group-id* is preserved as a non-activated configuration since the APS group no longer has any physical circuits assigned.

The **no** form of this command removes the working-circuit. The working circuit can only be removed from the configuration after the protect circuit has been removed.

**Default** none

**Parameters** *port-id* — Specify the physical port that will act as the working circuit for this APS group.

**Syntax:** *port-id:* *slot/mda/port*

**number** Specify in

**Syntax:** *number:* *1-2*

### Modifying Hold-Down Timer Values

Note that for APS configurations, the **hold-time down** and **hold-time up** default values are 100 ms and 500 ms respectively. But, if there is a large difference in the transmission delay between the APS working (**working-circuit**) and protect line (**protect-circuit**), it is highly suggested to increase the default timer on the working line accordingly with the transmission delay present on the protect line. See [hold-time on page 424](#).

The following output shows an example of the timers on POS interfaces.

```
A:NS044050253# show port aps-1
=====
SONET/SDH Interface
=====
Description : APS Group
Interface : aps-1 Speed : oc3
Admin Status : up Oper Status : up
Physical Link : Yes Loopback Mode : none
Single Fiber Mode : No
Clock Source : node Framing : sonet
Last State Change : 04/11/2007 13:53:01 Port IfIndex : 1358987264
J0 String : 2/1/5 7750-SR-7 Section Trace Mode : string
Rx S1 Byte : 0x00 (stu) Rx K1/K2 Byte : 0x00/0x00
Tx S1 Byte : 0x0f (dnu) Tx DUS/DNU : disabled
Rx J0 String (Hex) : 81 00 00 00 00 00 00 00 00 00 00 00 00 00 00 00
Cfg Alarm : loc lais lrldi ssif lb2er-sd lb2er-sf slof slos lrei
Alarm Status :
Hold time up : 500 milliseconds
Hold time down : 100 milliseconds
=====
Port Statistics
===== Input
Output

Packets 6670498 3804661
Discards 0 0
Unknown Proto Discards 0
=====
A:NS044050253#
```

For unprotected port these timer are different:

```
A:NS044050253# show port 2/2/2
=====
SONET/SDH Interface
```

## APS Commands

```
=====
Description : OC-48 SONET/SDH
Interface : 2/2/2 Speed : oc48
Admin Status : up Oper Status : up
Physical Link : Yes Loopback Mode : none
Single Fiber Mode : No
APS Group : none APS Role : none
Clock Source : loop Framing : sonet
Last State Change : 04/11/2007 14:53:53 Port IfIndex : 37814272
J0 String : 0x01 Section Trace Mode : byte
Rx S1 Byte : 0x00 (stu) Rx K1/K2 Byte : 0x00/0x00
Tx S1 Byte : 0x0f (dnu) Tx DUS/DNU : disabled
Rx J0 String (Hex) : af 00 00 00 00 00 00 00 00 00 00 00 00 00 00 00 00
Cfg Alarm : loc lrldi lb2er-sf slof slof
Alarm Status :
Hold time up : 500 milliseconds
Hold time down : 0 milliseconds
Transceiver Data

Transceiver Type : SFP
Model Number : SFP-OC48-SR1
Transceiver Code : OC48 SR
Laser Wavelength : 1310 Diag Capable : yes
Connector Code : LC Vendor OUI : 00:01:9c
Manufacture date : 2004/08/20 00:00:00 Media : SONET/SDH
Serial Number : 6331000705
Part Number : CT2-MS1LBT32Z2
Optical Compliance*: 00:01:00:00:00:00:00:00:00
Link Len 9u : 2 kms Link Len Cu : 0 m
Link Len 9u : 20 * 100m Link Len 62.5u : 0 * 10m
Link Len 50u : 0 * 10m

=====
Port Statistics
=====

Input Output

Packets 3870094 6656408
Discards 0 0
Unknown Proto Discards 0
=====
A:NS044050253#
```

## wtr-annexb

**Syntax** `wtr-annexb minutes`

**Context** `config>port>aps`

**Description** This command waits to restore for Annex B mode operation. The delay after which the newly active section becomes the primary section after a switch-over from the primary section to the secondary section occurs and the switch request clears normally.

**Parameters** *minutes* — Specify the time, in minutes, to wait to restore for Annex B mode operation

---

## Ethernet Port Commands

### ethernet

**Syntax** `ethernet`

**Context** `config>port`

**Description** This command enables access to the context to configure Ethernet port attributes. This context can only be used when configuring Fast Ethernet, gigabit, or 10Gig Ethernet LAN ports on an appropriate MDA.

### mode

**Syntax** `mode {access | network | hybrid}`  
`no mode`

**Context** `config>port>ethernet`  
`config>port>sonet-sdh>path`  
`config>port>tdm>ds1>channel-group`  
`config>port>tdm>ds3`  
`config>port>tdm>e1>channel-group`  
`config>port>tdm>e3`

**Description** This command configures an Ethernet port for access, network, or hybrid mode of operation. It also configures a TDM channel or SONET/SDH path (sub-port) for access or network mode operation.

An access port or channel is used for customer facing traffic on which services are configured. A Service Access Point (SAP) can only be configured on an access port or channel. When a port is configured for access mode, the appropriate encap-type must be specified to distinguish the services on the port or SONET path. Once an Ethernet port, a TDM channel or a SONET path has been configured for access mode, multiple services can be configured on the Ethernet port, a TDM channel or SONET path. Note that ATM, Frame Relay, and cHDLC port parameters can only be configured in the access mode.

A network port or channel participates in the service provider transport or infrastructure network when a network mode is selected. When the network option is configured, the encap-type cannot be configured for the port/channel.

When network mode is selected on a SONET/SDH path, the appropriate control protocols are activated when the need arises. For example, configuring an IP interface on the SONET path activates IPCP while the removal of the IP interface causes the IPCP to be removed. The same applies for MPLS, MPLSCP, and OSICP. When configuring a SONET/SDH port, the mode command must be entered in the channel context or an error message is generated.

A hybrid Ethernet port allows the combination of network and access modes of operation on a per-VLAN basis and must be configured as either dot1q or QinQ encapsulation.

## Ethernet Port Commands

When the hybrid port is configured to the dot1q encapsulation, the user configures a SAP inside a service simply by providing the SAP ID which must include the port-id value of the hybrid mode port and an unused VLAN tag value. The format is *<port-id>.qtag1*. A SAP of format *<port-id>.\** also supported.

The user configures a network IP interface under `config>router>interface>port` by providing the port name which consists of the port-id of the hybrid mode port and an unused VLAN tag value. The format is *<port-id>.qtag1*. The user must explicitly enter a valid value for qtag1. The *<port-id>.\** value is not supported on a network IP interface. The 4096 VLAN tag space on the port is shared among VLAN SAPs and VLAN network IP interfaces.

When the hybrid port is configured to QinQ encapsulation, the user configures a SAP inside a service simply by providing the SAP ID which must include the port-id value of the hybrid mode port and the outer and inner VLAN tag values. The format is *<port-id>.qtag1.qtag2*. A SAP of format *<port-id>.qtag1.\** is also supported. The outer VLAN tag value must not have been used to create an IP network interface on this port. In addition, the qtag1.qtag2 value combination must not have been used by another SAP on this port.

The user configures a network IP interface under `config>router>interface>port` by providing the port name which consists of the port-id of the hybrid mode port and a VLAN tag value. The format is *<port-id>.qtag1.\**. An outer VLAN tag qtag2 of \* is used to create an IP network interface. In addition, the qtag1.qtag2 value combination must not have been used on another SAP or IP network interface on this port.

The **no** form of this command restores the default.

**Default**     network — for Ethernet ports  
              access — for TDM channel or SONET paths

**Parameters**     **access** — Configures the Ethernet port, TDM channel or SONET path as service access.  
                  **network** — Configures the Ethernet port, TDM channel or SONET path for transport network use.  
                  **hybrid** — Configures the Ethernet port for hybrid use.

### access

**Syntax**     **access**

**Context**     config>port>ethernet

**Description**     This command configures Ethernet access port parameters.

### egress

**Syntax**     **egress**

**Context**     config>port>ethernet>access  
              config>port>ethernet>network

**Description**     This command configures Ethernet access egress port parameters.



## queue-group

**Syntax** `queue-group queue-group-name [instance instance-id] [create]`  
`no queue-group queue-group-name [instance instance-id]`

**Context** config>port>ethernet>access>egress  
 config>port>ethernet>access>ingress

**Description** This command creates an ingress or egress queue group on an Ethernet port. A queue group is a collection of queues identified by a group name. Queue groups created on access ports are used as an alternative queue destination for SAPs.

Within a SAP, a forwarding class may be redirected from the local SAP queue to a port queue group queue. The forwarding classes from multiple SAPs may be redirected to the same queue group which can be used to minimize the number of per-SAP queues.

Queue groups may be created on both access and network oriented ports. When the port is in access mode, the queue groups must be created within the port access node.

Within the access node, queue groups are also configured as ingress or egress. Access ingress queue groups can only be used by ingress SAP forwarding classes and only a single ingress queue group per port is supported. Multiple access egress queue groups may be created on a single port and are used by egress SAP forwarding classes. The instance-id parameter identifies different instances of the same queue group template. Creating multiple queue groups with a different instance ID but the same queue group name results in separate queue groups being created on the port. The instance-id parameter is only valid for egress queue groups on access ports.

When the queue group is created in an ingress port context, the group-name must be an existing ingress queue group template. Similarly, queue groups created in an egress port context must have a group-name of an existing egress queue group template. Two ingress queue groups with the same name cannot be created on the same port. Two egress queue groups can only be created on the same port with the same queue group template name if they have different instance-id values.

The queues defined in the template are created on the queue group. The queue parameters within the template are used as the default queue parameters for each queue in the queue group. The default queue parameters for each queue may be overridden on the queue group with specific queue parameters.

Each queue group supports the application of a scheduler-policy for the purpose of managing the queues within the group into an aggregate SLA. The queues defined within the template may be configured with parent scheduler defining the mapping of a queue to one of the schedulers within the scheduler policy. Egress queue groups also support the **agg-rate** parameter and the queues in the egress template support the port-parent command. Each command is used for configuring egress port virtual scheduling behavior.

Each queue group allows the application of an accounting policy and the ability to enable and disable collecting statistics. The statistics are derived from the queue counters on each queue within the queue group. The accounting policy defines which queue counters are collected and to which accounting file they will be written.

A queue group does not have an administrative shutdown or no shutdown command. A queue group is considered to be always on once created.

When creating a queue group, the system will attempt to allocate queue resources based on the queues defined in the queue group template. If the appropriate queue resources do not currently exist, the queue

## Ethernet Port Commands

group will not be created. Ingress port queue groups do not support the shared-queuing or multipoint-shared queuing behavior.

When the queue group is created on a LAG (Link Aggregation Group), it must be created on the primary port member. The primary port member is the port with the lowest port ID based on the slot, MDA position and port number on the MDA. A queue group created on the primary LAG port will be automatically created on all other port members. If a new port is being added to a LAG with an existing queue group, the queue group must first be created on the port prior to adding the port to the LAG. If the LAG queue group has queue overrides, the queue overrides must also be defined on the port queue group prior to adding the port to the LAG.

A port queue group cannot be removed from the port when a forwarding class is currently redirected to the group. All forwarding class redirections must first be removed prior to removing the queue group.

**Default** none

**Parameters** *group-name* — The group-name parameter is required when executing the port queue-group command. The specified group-name must exist as an ingress or egress queue group template depending on the ingress or egress context of the port queue group. Only a single queue group may be created on an ingress port. Multiple queue groups may be created on an egress port.

*instance-id* — specifies the identification of a specific instance of the egress queue-group. This parameter is only valid for egress access port queue groups.

**Values** 1 — 40960

**create** — Keyword used to associate the queue group. The create keyword requirement can be enabled/ disabled in the environment>create context.

### egress

**Syntax** **egress**

**Context** config>port>ethernet

This command configures Ethernet egress port parameters.

### ingress

**Syntax** **ingress**

**Context** config>port>ethernet>access

**Description** This command configures Ethernet access ingress port parameters.

## queue-group

**Syntax** `queue-group queue-group-name [instance instance-id] [create]`  
`no queue-group queue-group-name`

**Context** config>port>ethernet>access>egr  
 config>port>ethernet>access>ing

**Description** This command creates an ingress or egress queue group on an Ethernet port. A queue group is a collection of queues identified by a group name. Queue groups created on access ports are used as an alternative queue destination for SAPs.

Within a SAP, a forwarding class may be redirected from the local SAP queue to a port queue group queue. The forwarding classes from multiple SAPs may be redirected to the same queue group which can be used to minimize the number of per-SAP queues.

Queue groups may be created on both access and network oriented ports. When the port is in access mode, the queue groups must be created within the port access node.

Within the access node, queue groups are also configured as ingress or egress. Access ingress queue groups can only be used by ingress SAP forwarding classes and only a single ingress queue group per port is supported. Multiple access egress queue groups may be created on a single port and are used by egress SAP forwarding classes. The instance-id parameter identifies different instances of the same queue group template. Creating multiple queue groups with a different instance ID but the same queue group name results in separate queue groups being created on the port. The instance-id parameter is only valid for egress queue groups on access ports.

When the queue group is created in an ingress port context, the group-name must be an existing ingress queue group template. Similarly, queue groups created in an egress port context must have a group-name of an existing egress queue group template. Two ingress queue groups with the same name cannot be created on the same port. Two egress queue groups can only be created on the same port with the same queue group template name if they have different instance-id values.

The queues defined in the template are created on the queue group. The queue parameters within the template are used as the default queue parameters for each queue in the queue group. The default queue parameters for each queue may be overridden on the queue group with specific queue parameters.

Each queue group supports the application of a scheduler-policy for the purpose of managing the queues within the group into an aggregate SLA. The queues defined within the template may be configured with parent scheduler defining the mapping of a queue to one of the schedulers within the scheduler policy. Egress queue groups also support the **agg-rate** parameter and the queues in the egress template support the port-parent command. Each command is used for configuring egress port virtual scheduling behavior.

Each queue group allows the application of an accounting policy and the ability to enable and disable collecting statistics. The statistics are derived from the queue counters on each queue within the queue group. The accounting policy defines which queue counters are collected and to which accounting file they will be written.

A queue group does not have an administrative shutdown or no shutdown command. A queue group is considered to be always on once created.

When creating a queue group, the system will attempt to allocate queue resources based on the queues defined in the queue group template. If the appropriate queue resources do not currently exist, the queue group will not be created. Ingress port queue groups do not support the shared-queuing or multipoint-shared queuing behavior.

## Ethernet Port Commands

When the queue group is created on a LAG (Link Aggregation Group), it must be created on the primary port member. The primary port member is the port with the lowest port ID based on the slot, MDA position and port number on the MDA. A queue group created on the primary LAG port will be automatically created on all other port members. If a new port is being added to a LAG with an existing queue group, the queue group must first be created on the port prior to adding the port to the LAG. If the LAG queue group has queue overrides, the queue overrides must also be defined on the port queue group prior to adding the port to the LAG.

A port queue group cannot be removed from the port when a forwarding class is currently redirected to the group. All forwarding class redirections must first be removed prior to removing the queue group.

**Default** none

**Parameters** *group-name* — The *group-name* parameter is required when executing the `port queue-group` command. The specified *group-name* must exist as an ingress or egress queue group template depending on the ingress or egress context of the port queue group. Only a single queue group may be created on an ingress port. Multiple queue groups may be created on an egress port.

*instance-id* — specifies the identification of a specific instance of the queue-group.

**Values** 1 — 40960

**create** — Keyword used to associate the queue group. The **create** keyword requirement can be enabled/disabled in the **environment>create** context.

## agg-rate

**Syntax** [no] **agg-rate**

**Context** `config>port>ethernet>access>egr>qgrp`  
`config>port>ethernet>access>egr>vport`  
`config>port>ethernet>network>egr>qgrp`  
`config>port>sonet-sdh>path>access>egress>vport`

**Description** This command is used to control an HQoS aggregate rate limit. It is used in conjunction with the following parameter commands: **rate**, **limit-unused-bandwidth**, and **queue-frame-based-accounting**.

When specified under a VPORT, the `agg-rate`, `port-scheduler-policy` and `scheduler-policy` commands are mutually exclusive. Changing between the use of a scheduler policy and the use of an `agg-rate/port-scheduler-policy` involves removing the existing command and applying the new command.

## rate

**Syntax**    **rate** {max | rate}  
**no rate**

**Context**    config>port>ethernet>access>egr>qgrp>agg-rate  
 config>port>ethernet>access>egr>vport>agg-rate  
 config>port>ethernet>network>egr>qgrp>agg-rate  
 config>port>sonet-sdh>path>access>egress>vport

**Description**    This command defines the enforced aggregate rate for all queues associated with the agg-rate context. A rate must be specified for the agg-rate context to be considered to be active on the context's object (SAP, subscriber, VPORT etc.).

**Parameters**    **rate** — Specifies the rate limit for the VPORT.

**Values**        **max**, 1— 800000000, max

## limit-unused-bandwidth

**Syntax**    [no] **limit-unused-bandwidth**

**Context**    config>port>ethernet>access>egr>qgrp>agg-rate  
 config>port>ethernet>access>egr>vport>agg-rate  
 config>port>ethernet>network>egr>qgrp>agg-rate  
 config>port>sonet-sdh>path>access>egress>vport

**Description**    This command is used to enable (or disable) aggregate rate overrun protection on the agg-rate context.

## queue-frame-based-accounting

**Syntax**    [no] **queue-frame-based-accounting**

**Context**    config>port>ethernet>access>egr>qgrp>agg-rate  
 config>port>ethernet>access>egr>vport>agg-rate  
 config>port>ethernet>network>egr>qgrp>agg-rate  
 config>port>sonet-sdh>path>access>egress>vport

**Description**    This command is used to enabled (or disable) frame based accounting on all queues associated with the agg-rate context. Only supported on Ethernet ports. Not supported on HSMDA Ethernet ports.

### host-match

|                    |                                                                                                                                                                                                                                                                                     |
|--------------------|-------------------------------------------------------------------------------------------------------------------------------------------------------------------------------------------------------------------------------------------------------------------------------------|
| <b>Syntax</b>      | <b>host-match dest</b> <i>destination-string</i> [ <b>create</b> ]<br><b>no host-match dest</b> <i>destination-string</i>                                                                                                                                                           |
| <b>Context</b>     | config>port>ethernet>access>egr>qgrp                                                                                                                                                                                                                                                |
| <b>Description</b> | This command configures host matching for the Ethernet port egress queue-group.<br>The no form of the command removes host matching for the Ethernet port egress queue-group.                                                                                                       |
| <b>Parameters</b>  | <b>dest</b> <i>destination-string</i> — Specify a host match destination string up to 32 characters in length.<br><b>create</b> — Keyword used to create the host match. The <b>create</b> keyword requirement can be enabled/disabled in the <b>environment&gt;create</b> context. |

### queue-overrides

|                    |                                                                                                                       |
|--------------------|-----------------------------------------------------------------------------------------------------------------------|
| <b>Syntax</b>      | <b>queue-overrides</b>                                                                                                |
| <b>Context</b>     | config>port>ethernet>access>egr>qgrp<br>config>port>ethernet>access>ing>qgrp<br>config>port>ethernet>network>egr>qgrp |
| <b>Description</b> | This command enables the context to define optional queue parameter overrides for each queue within the queue group.  |

### queue

|                    |                                                                                                                                                                                                                                                                                                                                                                                                                                                                                                                                                                                                                                                                                                                                                                                                                                                                                           |
|--------------------|-------------------------------------------------------------------------------------------------------------------------------------------------------------------------------------------------------------------------------------------------------------------------------------------------------------------------------------------------------------------------------------------------------------------------------------------------------------------------------------------------------------------------------------------------------------------------------------------------------------------------------------------------------------------------------------------------------------------------------------------------------------------------------------------------------------------------------------------------------------------------------------------|
| <b>Syntax</b>      | <b>queue</b> <i>queue-id</i> [ <i>queue-type</i> ] [ <b>create</b> ]<br><b>no queue</b> <i>queue-id</i>                                                                                                                                                                                                                                                                                                                                                                                                                                                                                                                                                                                                                                                                                                                                                                                   |
| <b>Context</b>     | config>port>ethernet>access>egr>qgrp>qover<br>config>port>ethernet>access>ing>qgrp>qover<br>config>port>eth>network>egr>qgrp>qover                                                                                                                                                                                                                                                                                                                                                                                                                                                                                                                                                                                                                                                                                                                                                        |
| <b>Description</b> | This command associates a queue for use in a queue group template. The defined queue-id acts as a repository for the default parameters for the queue. The template queue is created on each queue-group object which is created with the queue group template name. Each queue is identified within the template by a queue-id number. The template ensures that all queue groups created with the template's name will have the same queue-ids providing a uniform structure for the forwarding class redirection commands in the SAP egress QoS policies. The parameters within the template queue will be used as the default settings for each queue in the actual queue group. The queue parameters may be individually changed for each queue in each queue group using per queue overrides.<br><br>The <b>no</b> form of the command removes the queue-id from the configuration. |
| <b>Default</b>     | none                                                                                                                                                                                                                                                                                                                                                                                                                                                                                                                                                                                                                                                                                                                                                                                                                                                                                      |

## parent

|                    |                                                                                                                                                                                                                                                                                                                                                                                                                                                                                                                                                                                                                                                                                                                                                                                                                                                                                                                                                                                                                                                                                             |
|--------------------|---------------------------------------------------------------------------------------------------------------------------------------------------------------------------------------------------------------------------------------------------------------------------------------------------------------------------------------------------------------------------------------------------------------------------------------------------------------------------------------------------------------------------------------------------------------------------------------------------------------------------------------------------------------------------------------------------------------------------------------------------------------------------------------------------------------------------------------------------------------------------------------------------------------------------------------------------------------------------------------------------------------------------------------------------------------------------------------------|
| <b>Syntax</b>      | <b>parent</b> [[ <b>weight</b> <i>weight</i> ] [ <b>cir-weight</b> <i>cir-weight</i> ]]<br><b>no parent</b>                                                                                                                                                                                                                                                                                                                                                                                                                                                                                                                                                                                                                                                                                                                                                                                                                                                                                                                                                                                 |
| <b>Context</b>     | config>port>ethernet>access>egr>qgrp>qover>q                                                                                                                                                                                                                                                                                                                                                                                                                                                                                                                                                                                                                                                                                                                                                                                                                                                                                                                                                                                                                                                |
| <b>Description</b> | This command, when used in the <i>queue-overrides</i> context for a queue group queue, defines an optional <b>weight</b> and <b>cir-weight</b> for the queue treatment by the parent scheduler that further governs the available bandwidth given the queue aside from the queue PIR setting. When multiple schedulers and/or queues share a child status with the parent scheduler, the weight or level parameters define how this queue contends with the other children for the parent bandwidth.                                                                                                                                                                                                                                                                                                                                                                                                                                                                                                                                                                                        |
| <b>Default</b>     | none                                                                                                                                                                                                                                                                                                                                                                                                                                                                                                                                                                                                                                                                                                                                                                                                                                                                                                                                                                                                                                                                                        |
| <b>Parameters</b>  | <p><b>weight</b> <i>weight</i> — Weight defines the relative weight of this queue in comparison to other child schedulers and queues while vying for bandwidth on the parent scheduler-name. Any queues or schedulers defined as weighted receive no parental bandwidth until all strict queues and schedulers on the parent have reached their maximum bandwidth or are idle. In this manner, weighted children are considered to be the lowest priority.</p> <p><b>Values</b>      0 — 100</p> <p><b>Default</b>      1</p> <p><b>cir-weight</b> <i>cir-weight</i> — Defines the weight the queue will use at the within-cir port priority level. The weight is specified as an integer value from 0 to 100 with 100 being the highest weight. When the cir-weight parameter is set to a value of 0 (the default value), the queue or scheduler does not receive bandwidth during the port schedulers within-cir pass and the cir-level parameter is ignored. If the cir-weight parameter is 1 or greater, the cir-level parameter comes into play.</p> <p><b>Values</b>      0 — 100</p> |

## adaptation-rule

|                    |                                                                                                                                                                                                                                                                                                                                                                                                                                                                                                                                                                                         |
|--------------------|-----------------------------------------------------------------------------------------------------------------------------------------------------------------------------------------------------------------------------------------------------------------------------------------------------------------------------------------------------------------------------------------------------------------------------------------------------------------------------------------------------------------------------------------------------------------------------------------|
| <b>Syntax</b>      | <b>adaptation-rule</b> [ <b>pir</b> <i>adaptation-rule</i> ] [ <b>cir</b> <i>adaptation-rule</i> ]<br><b>no adaptation-rule</b>                                                                                                                                                                                                                                                                                                                                                                                                                                                         |
| <b>Context</b>     | config>port>ethernet>access>egr>qgrp>qover>q<br>config>port>ethernet>access>ing>qgrp>qover>q<br>config>port>ethernet>network>egr>qover>q                                                                                                                                                                                                                                                                                                                                                                                                                                                |
| <b>Description</b> | <p>This command specifies the method used by the system to derive the operational CIR and PIR settings when the queue is provisioned in hardware. For the CIR and PIR parameters individually, the system attempts to find the best operational rate depending on the defined constraint.</p> <p>The <b>no</b> form of the command removes any explicitly defined constraints used to derive the operational CIR and PIR created by the application of the policy. When a specific <b>adaptation-rule</b> is removed, the default constraints for <b>rate</b> and <b>cir</b> apply.</p> |
| <b>Default</b>     | adaptation-rule pir closest cir closest                                                                                                                                                                                                                                                                                                                                                                                                                                                                                                                                                 |
| <b>Parameters</b>  | <b>pir</b> — Defines the constraints enforced when adapting the PIR rate defined within the <b>queue</b> <i>queue-id</i> <b>rate</b>                                                                                                                                                                                                                                                                                                                                                                                                                                                    |

command. The **pir** parameter requires a qualifier that defines the constraint used when deriving the operational PIR for the queue. When the **rate** command is not specified, the default applies.

**cir** — Defines the constraints enforced when adapting the CIR rate defined within the **queue** queue-id **rate** command. The **cir** parameter requires a qualifier that defines the constraint used when deriving the operational CIR for the queue. When the **cir** parameter is not specified, the default constraint applies.

*adaptation-rule* — Specifies the adaptation rule to be used while computing the operational CIR or PIR value.

**Values**

- max** — The **max** (maximum) option is mutually exclusive with the **min** and **closest** options. When **max** is defined, the operational PIR for the queue will be equal to or less than the administrative rate specified using the **rate** command.
- min** — The **min** (minimum) option is mutually exclusive with the **max** and **closest** options. When **min** is defined, the operational PIR for the queue will be equal to or greater than the administrative rate specified using the **rate** command.
- closest** — The **closest** parameter is mutually exclusive with the **min** and **max** parameter. When **closest** is defined, the operational PIR for the queue will be the rate closest to the rate specified using the **rate** command.

## burst-limit

**Syntax** **burst-limit {default | size [byte | kilobyte]}**  
**no burst-limit**

**Context** config>port>ethernet>access>egr>qgrp>qover>q  
config>port>ethernet>access>ing>qgrp>qover>q  
config>port>ethernet>network>egr>qover>q

**Description** The `queue burst-limit` command is used to define an explicit shaping burst size for a queue. The configured size defines the shaping leaky bucket threshold level that indicates the maximum burst over the queue's shaping rate.

The `burst-limit` command is supported under the sap-ingress and sap-egress QoS policy queues. The command is also supported under the ingress and egress queue-group-templates queues.

The **no** form of this command is used to restore the default burst limit to the specified queue. This is equivalent to specifying `burst-limit default` within the QoS policies or queue group templates. When specified within a queue-override queue context, any current burst limit override for the queue will be removed and the queue's burst limit will be controlled by its defining policy or template.

**Parameters** **default** — The default parameter is mutually exclusive to specifying an explicit size value. When `burst-limit default` is executed, the queue is returned to the system default value.

*size* — When a numeric value is specified (*size*), the system interprets the value as an explicit burst limit size. The value is expressed as an integer and by default is interpreted as the burst limit in Kilobytes. If the value is intended to be interpreted in bytes, the byte qualifier must be added following size.

**Values** 1 to 14,000 (14,000 or 14,000,000 depending on bytes or kilobytes)

**Default** No default for size, use the default keyword to specify default burst limit



**byte** — The **bytes** qualifier is used to specify that the value given for size must be interpreted as the burst limit in bytes. The byte qualifier is optional and mutually exclusive with the kilobytes qualifier.

**kilobyte** — The **kilobyte** qualifier is used to specify that the value given for size must be interpreted as the burst limit in Kilobytes. The kilobyte qualifier is optional and mutually exclusive with the bytes qualifier. If neither bytes nor kilobytes is specified, the default qualifier is kilobytes.

## cbs

**Syntax**    **cbs** *size-in-kbytes*  
**no cbs**

**Context**    config>port>ethernet>access>egr>qgrp>qover>q  
 config>port>ethernet>access>ing>qgrp>qover>q  
 config>port>ethernet>network>egr>qover>q

**Description**    The cbs command is used to define the default committed buffer size for the template queue. Overall, the cbs command follows the same behavior and provisioning characteristics as the cbs command in the SAP ingress QoS policy. The exception is the addition of the cbs-value qualifier keywords bytes or kilobytes.

The **no** form of this command restores the default CBS size to the template queue.

**Default**    default

**Parameters**    *size-in-kbytes* — The size parameter is an integer expression of the number of kilobytes reserved for the queue. If a value of 10KBytes is desired, enter the value 10. A value of 0 specifies that no reserved buffers are required by the queue (a minimal reserved size can still be applied for scheduling purposes).

**Values**      0 — 131072 or default

## high-prio-only

**Syntax**    **high-prio-only** *percent*  
**no high-prio-only**

**Context**    config>port>ethernet>access>egr>qgrp>qover>q  
 config>port>ethernet>access>ing>qgrp>qover>q  
 config>port>ethernet>network>egr>qover>q

**Description**    The **high-prio-only** command specifies the percentage of buffer space for the queue, used exclusively by high priority packets. The specified value overrides the default value for the context.

The priority of a packet can only be set in the SAP ingress QoS policy and is only applicable on the ingress queues for a SAP. The **high-prio-only** parameter is used to override the default value derived from the **network-queue** command.

The **no** form of this command restores the default high priority reserved size.

**Parameters**    *percent* — The percentage reserved for high priority traffic on the queue. If a value of 10KBytes is desired, enter the value 10.

**Values**      0 — 100, default

### mbs

|                    |                                                                                                                                                                                                                                                                                                                                                                                                                                                                                                                                                                                                                                                                                                                                                                                                                                                                                                                                                                                                                                                                                                                                                                                                                                                                                                                                                                                                                                                                                   |
|--------------------|-----------------------------------------------------------------------------------------------------------------------------------------------------------------------------------------------------------------------------------------------------------------------------------------------------------------------------------------------------------------------------------------------------------------------------------------------------------------------------------------------------------------------------------------------------------------------------------------------------------------------------------------------------------------------------------------------------------------------------------------------------------------------------------------------------------------------------------------------------------------------------------------------------------------------------------------------------------------------------------------------------------------------------------------------------------------------------------------------------------------------------------------------------------------------------------------------------------------------------------------------------------------------------------------------------------------------------------------------------------------------------------------------------------------------------------------------------------------------------------|
| <b>Syntax</b>      | <b>mbs</b> <i>size-in-kbytes</i><br><b>no mbs</b>                                                                                                                                                                                                                                                                                                                                                                                                                                                                                                                                                                                                                                                                                                                                                                                                                                                                                                                                                                                                                                                                                                                                                                                                                                                                                                                                                                                                                                 |
| <b>Context</b>     | config>port>ethernet>access>egr>qgrp>qover>q<br>config>port>ethernet>access>ing>qgrp>qover>q<br>config>port>ethernet>network>egr>qover>q                                                                                                                                                                                                                                                                                                                                                                                                                                                                                                                                                                                                                                                                                                                                                                                                                                                                                                                                                                                                                                                                                                                                                                                                                                                                                                                                          |
| <b>Description</b> | <p>The Maximum Burst Size (MBS) command specifies the default maximum buffer size for the template queue. The value is given in kilobytes.</p> <p>The MBS value is used by a queue to determine whether it has exhausted all of its buffers while enqueueing packets. Once the queue has exceeded the amount of buffers allowed by MBS, all packets are discarded until packets have been drained from the queue.</p> <p>The sap-ingress context for mbs provides a mechanism for overriding the default maximum size for the queue.</p> <p>The sum of the MBS for all queues on an ingress access port can oversubscribe the total amount of buffering available. When congestion occurs and buffers become scarce, access to buffers is controlled by the RED slope a packet is associated with. A queue that has not exceeded its MBS size is not guaranteed that a buffer will be available when needed or that the packets RED slope will not force the discard of the packet. Setting proper CBS parameters and controlling CBS oversubscription is one major safeguard to queue starvation (when a queue does not receive its fair share of buffers). Another is properly setting the RED slope parameters for the needs of services on this port or channel.</p> <p>If the CBS value is larger than the MBS value, an error will occur, preventing the MBS change.</p> <p>The <b>no</b> form of this command returns the MBS size assigned to the queue to the value.</p> |
| <b>Default</b>     | default                                                                                                                                                                                                                                                                                                                                                                                                                                                                                                                                                                                                                                                                                                                                                                                                                                                                                                                                                                                                                                                                                                                                                                                                                                                                                                                                                                                                                                                                           |
| <b>Parameters</b>  | <i>size-in-kbytes</i> — The size parameter is an integer expression of the maximum number of kilobytes of buffering allowed for the queue. For a value of 100 kbps, enter the value 100. A value of 0 causes the queue to discard all packets.                                                                                                                                                                                                                                                                                                                                                                                                                                                                                                                                                                                                                                                                                                                                                                                                                                                                                                                                                                                                                                                                                                                                                                                                                                    |
|                    | <b>Values</b> 0 — 131072 or default                                                                                                                                                                                                                                                                                                                                                                                                                                                                                                                                                                                                                                                                                                                                                                                                                                                                                                                                                                                                                                                                                                                                                                                                                                                                                                                                                                                                                                               |

### rate

|                    |                                                                                                                                                                                                                                                                                                                                                                                                                                                                                                       |
|--------------------|-------------------------------------------------------------------------------------------------------------------------------------------------------------------------------------------------------------------------------------------------------------------------------------------------------------------------------------------------------------------------------------------------------------------------------------------------------------------------------------------------------|
| <b>Syntax</b>      | <b>rate</b> <i>pir-rate</i> [ <i>cir cir-rate</i> ]<br><b>no rate</b>                                                                                                                                                                                                                                                                                                                                                                                                                                 |
| <b>Context</b>     | config>port>ethernet>access>egr>qgrp>qover>q<br>config>port>ethernet>access>ing>qgrp>qover>q<br>config>port>ethernet>network>egr>qover>q                                                                                                                                                                                                                                                                                                                                                              |
| <b>Description</b> | <p>This command specifies the administrative Peak Information Rate (PIR) and the administrative Committed Information Rate (CIR) parameters for the queue. The PIR defines the maximum rate that the queue can transmit packets out an egress interface (for SAP egress queues). Defining a PIR does not necessarily guarantee that the queue can transmit at the intended rate. The actual rate sustained by the queue can be limited by oversubscription factors or available egress bandwidth.</p> |

The CIR defines the rate at which the system prioritizes the queue over other queues competing for the same bandwidth. In-profile packets are preferentially queued by the system at egress and at subsequent next hop nodes where the packet can traverse. To be properly handled as in- or out-of-profile throughout the network, the packets must be marked accordingly for profiling at each hop.

The CIR can be used by the queue's parent commands *cir-level* and *cir-weight* parameters to define the amount of bandwidth considered to be committed for the child queue during bandwidth allocation by the parent scheduler.

The **rate** command can be executed at anytime, altering the PIR and CIR rates for all queues created through the association of the SAP egress QoS policy with the *queue-id*.

The **no** form of the command returns all queues created with the *queue-id* by association with the QoS policy to the default PIR and CIR parameters (**max**, 0).

**Default** **rate max cir 0** — The **max** default specifies the amount of bandwidth in kilobits per second (thousand bits per second). The **max** value is mutually exclusive to the **pir-rate** value.

**Parameters** *pir-rate* — Defines the administrative PIR rate, in kilobits, for the queue. When the **rate** command is executed, a valid PIR setting must be explicitly defined. When the **rate** command has not been executed, the default PIR of **max** is assumed.  
Fractional values are not allowed and must be given as a positive integer.

The actual PIR rate is dependent on the queue's **adaptation-rule** parameters and the actual hardware where the queue is provisioned.

**Values** 1 — 100000000, **max**

**Default** max

*cir-rate* — The **cir** parameter overrides the default administrative CIR used by the queue. When the **rate** command is executed, a CIR setting is optional. When the **rate** command has not been executed or the **cir** parameter is not explicitly specified, the default CIR (0) is assumed.  
Fractional values are not allowed and must be given as a positive integer.

**Values** 0 — 100000000, **max**

**Default** 0

## scheduler-policy

**Syntax** **scheduler-policy** *scheduler-policy-name*  
**no scheduler-policy**

**Context** config>port>ethernet>access>egr>qgrp  
config>port>ethernet>access>ing>qgrp  
config>port>ethernet>network>egr>qgrp

**Description** This command associates a virtual scheduler policy with a port queue group. Scheduler policies are defined in the **config>qos>scheduler-policy** *scheduler-policy-name* context.

The **no** form of this command removes the configured ingress or egress scheduler policy from the queue-group.

**Parameters** *scheduler-policy-name* — The *scheduler-policy-name* parameter applies an existing scheduler policy that

## Ethernet Port Commands

was created in the **config>qos>scheduler-policy** *scheduler-policy-name* context to create the hierarchy of ingress or egress virtual schedulers.

### exp-secondary-shaper

**Syntax** **exp-secondary-shaper** {**default** | *secondary-shaper-name*} **create**  
**no exp-secondary-shaper** *secondary-shaper-name*

**Context** config>port>ethernet>egress

**Description** This command configures the Ethernet egress expanded secondary shaper on this port.

**Parameters** *secondary-shaper-name* — Specifies the secondary shaper name to apply to this port.  
**default** — Specifies the default secondary shaper to apply to this port.  
**create** — Creates a new secondary shaper for this port.

### rate

**Syntax** **rate** {**max** | **kilobits-per-second**}  
**no rate**

**Context** config>port>ethernet>egress>exp-secondary-shaper

**Description** This command is used to configure the shaper's metering and optional profiling rates. The metering rate is used by the system to configure the shaper's PIR leaky bucket's decrement rate. The decrement function empties the bucket while packets applied to the bucket attempt to fill it based on the each packets size. If the bucket fills faster than how much is decremented per packet, the bucket's depth eventually reaches its violate (PIR) threshold.

The **no** form of this command is used to restore the default metering and profiling rate to a policer.

**Parameters** {**max** | *kilobits-per-second*} — Specifying the keyword **max** or an explicit *kilobits-per-second* parameter directly following the rate command is required and identifies the policer's metering rate for the PIR leaky bucket. When the shaper is first created, the metering rate defaults to max. The *kilobits-per-second* value must be expressed as an integer and defines the rate in kilobits-per-second. The integer value is multiplied by 1,000 to derive the actual rate in bits-per-second.

**Values** 1—10000000 kbps

## class

|                    |                                                                                                                                                                                                                                                                                                                                                                                                                                            |
|--------------------|--------------------------------------------------------------------------------------------------------------------------------------------------------------------------------------------------------------------------------------------------------------------------------------------------------------------------------------------------------------------------------------------------------------------------------------------|
| <b>Syntax</b>      | <b>class</b> <i>class-number</i> <b>rate</b> { <i>kilobits-per-second</i>   <b>max</b> } [ <b>monitor-threshold</b> <i>size-in-kilobytes</i> ]<br><b>no class</b>                                                                                                                                                                                                                                                                          |
| <b>Context</b>     | config>port>ethernet>egress>exp-secondary-shaper                                                                                                                                                                                                                                                                                                                                                                                           |
| <b>Description</b> | This command assigns the low burst maximum class to associate with the Ethernet egress expanded secondary shaper.<br><br>The <b>no</b> form of the command returns the class id for the Ethernet egress expanded secondary shaper to the default value.                                                                                                                                                                                    |
| <b>Parameters</b>  | <i>class-id</i> — Specifies the class identifier of the low burst max class for the shaper.<br><br><b>Values</b> 1— 32<br><br><i>rate</i> { <i>kilobits-per-second</i>   <b>max</b> } — Specifies the rate limit for the secondary shaper.<br><br><b>Values</b> <b>max</b> , 1— 10000000<br><br><i>monitor-threshold</i> <i>size-in-kilobytes</i> — Specifies the monitor threshold for the secondary shaper.<br><br><b>Values</b> 0— 8190 |

## low-burst-max-class

|                    |                                                                                                                                                                                                                                                   |
|--------------------|---------------------------------------------------------------------------------------------------------------------------------------------------------------------------------------------------------------------------------------------------|
| <b>Syntax</b>      | <b>low-burst-max-class</b> <i>class</i><br><b>no low-burst-max-class</b>                                                                                                                                                                          |
| <b>Context</b>     | config>port>ethernet>egress>exp-secondary-shaper                                                                                                                                                                                                  |
| <b>Description</b> | This command specifies the class to associate with the Ethernet egress expanded secondary shaper.<br><br>The <b>no</b> form of the command returns the class number value for the Ethernet egress expanded secondary shaper to the default value. |
| <b>Parameters</b>  | <i>class</i> — Specifies the class number of the class for the secondary shaper.<br><br><b>Values</b> 1— 8                                                                                                                                        |

## vport

|                    |                                                                                                                                                                                                                    |
|--------------------|--------------------------------------------------------------------------------------------------------------------------------------------------------------------------------------------------------------------|
| <b>Syntax</b>      | <b>vport</b> <i>name</i> [ <b>create</b> ]<br><b>no vport</b> <i>name</i>                                                                                                                                          |
| <b>Context</b>     | config>port>ethernet>access>egress<br>config>port>sonet-sdh>path>access>egress                                                                                                                                     |
| <b>Description</b> | This command configures a scheduling node, referred to as virtual port, within the context of an egress Ethernet port. The vport scheduler operates either like a port scheduler with the difference that multiple |

## Ethernet Port Commands

vport objects can be configured on the egress context of an Ethernet port, or it can be an aggregate rate when an egress port-scheduler policy is applied to the port.

The vport is always configured at the port level even when a port is a member of a LAG.

When a a port scheduler policy is applied to a vport the following command is used:

```
configure>port>ethernet>access>egress>vport>port-scheduler-policy port-scheduler-policy-name
```

The CLI will not allow the user to apply a port scheduler policy to a vport if one has been applied to the port. Conversely, the CLI will not allow the user to apply a port scheduler policy to the egress of an Ethernet port if one has been applied to any vport defined on the access egress context of this port. The **agg-rate**, along with an egress port-scheduler, can be used to ensure that a given vport does not oversubscribe the port's rate.

SAP and subscriber host queues can be port-parented to a vport scheduler in a similar way they port-parent to a port scheduler or can be port-parented directly to the egress port-scheduler if the **agg-rate** is used.

**Parameters** *name* — Specifies the name of the vport scheduling node and can be up to 32 ASCII characters in length. This does not need to be unique within the system but is unique within the port or a LAG.

### agg-rate

**Syntax** [no] **agg-rate**

**Context** config>port>sonet-sdh>path>access>egress>vport  
configure>port>ethernet>access>egress>vport

**Description** This command configures an aggregate rate for the vport. The **agg-rate** rate, **port-scheduler-policy** and **scheduler-policy** commands are mutually exclusive. Changing between the use of a scheduler policy and the use of an **agg-rate/port-scheduler-policy** involves removing the existing command and applying the new command.

**Parameters** *agg-rate* — Specifies the rate limit for the vport.

**Values** 1 — 800000000, max

### egress-rate-modify

**Syntax** [no] **egress-rate-modify**

**Context** configure>port>ethernet>access>egress>vport  
configure>port>sonet-sdh>path>access>egress>vport

**Description** This command is used to apply HQoS Adjustment to a vport. HQoS Adjustment refers to the dynamic adjustment of the rate limit at an QoS enforcement point within 7x50 when the multicast traffic stream is disjointed from the unicast traffic stream. This QoS enforcement point within 7x50 represents the physical point further down in the access part of the network where the two streams join each other and potentially can cause congestion.

An example would be a PON port which is shared amongst subscriber's multicast traffic (single copy of each channel) and subscriber's unicast traffic. The bandwidth control point for this PON port resides in the upstream 7x50 BNG node in the form of a Vport. In case that the multicast delivery method in the 7x50

BNG utilizes redirection, the multicast traffic in the 7x50 BNG will flow outside of the subscriber or the Vport context and thus will bypass any bandwidth enforcement in 7x50. To correct this, a Vport bandwidth adjustment is necessary in 7x50 that will account for the multicast bandwidth consumption that is bypassing Vport in 7x50 but is present in the PON port whose bandwidth is controlled by Vport.

An estimate of the multicast bandwidth consumption on the PON port can be made at the Vport level based on the IGMP messages sourced from the subscribers behind the PON port. This process is called HQoS Adjustment.

A multicast channel bandwidth is subtracted from or added to the Vport rate limit according to the received IGMP Join/Leave messages and the channel bandwidth definition policy associated with the Vport (indirectly through a group-interface). Since the multicast traffic on the PON port is shared amongst subscribers behind this PON port, only the first IGMP Join or the last IGMP Leave per multicast channel is tracked for the purpose of the Vport bandwidth modification.

The Vport rate that will be affected by this functionality depends on the configuration:

- In case the **agg-rate** within the Vport is configured, its value will be modified based on the IGMP activity associated with the subscriber under this Vport.
- In case the port-scheduler-policy within the Vport is referenced, the max-rate defined in the corresponding port-scheduler-policy will be modified based on the IGMP activity associated with the subscriber under this Vport.

The channel bandwidth definition policy is defined in the mcac policy in the **configure>router>mcac>policy** context. The policy is applied under the group-interface or in case of redirection under the redirected-interface.

The rates in effect can be displayed with the following two commands:

```
show port 1/1/5 vport name
```

```
qos scheduler-hierarchy port port-id vport vport-name
```

The configuration of a scheduler policy under a VPORT, which is only applicable to Ethernet interfaces, is mutually exclusive with the configuration of the **egress-rate-modify** parameter.

**Context** HQoS Adjustment for Vport is disabled.

## host-match

**Syntax** **host-match dest** *description-string* [**create**]  
**no host-match dest** *destination-string*

**Context** config>port>sonet-sdh>path>access>egress>vport  
config>port>ethernet>access>egress>vport

**Description** This command specifies the destination and organization strings to be used for matching subscriber hosts with this vport.

The parent vport of a subscriber host queue, which has the port-parent option enabled, is determined by matching the destination string **dest** string associated with the subscriber and the organization string org string associated with the subscriber host with the strings defined under a vport on the port associated with the subscriber.

## Ethernet Port Commands

If a given subscriber host queue does not have the port-parent option enabled, it will be foster-parented to the vport used by this subscriber and which is based on matching the dest string and org string. If the subscriber could not be matched with a vport on the egress port, the host queue will not be bandwidth controlled and will compete for bandwidth directly based on its own PIR and CIR parameters.

By default, a subscriber host queue with the port-parent option enabled is scheduled within the context of the port's port scheduler policy.

**Parameters** *description-string* — The destination character string. Allowed values are any string up to 80 characters long composed of printable, 7-bit ASCII characters. If the string contains special characters (#, \$, spaces, etc.), the entire string must be enclosed within double quotes.

### port-scheduler-policy

**Syntax** **port-scheduler-policy** *port-scheduler-policy-name*  
**no port-scheduler-policy**

**Context** config>port>sonet-sdh>path>access>egress>vport  
config>port>ethernet>access>egress>vport

**Description** This command specifies the destination and organization strings to be used for matching subscriber hosts with this vport.

The parent vport of a subscriber host queue, which has the port-parent option enabled, is determined by matching the destination string dest string associated with the subscriber and the organization string org string associated with the subscriber host with the strings defined under a vport on the port associated with the subscriber.

If a given subscriber host queue does not have the port-parent option enabled, it will be foster-parented to the vport used by this subscriber and which is based on matching the dest string and org string. If the subscriber could not be matched with a vport on the egress port, the host queue will not be bandwidth controlled and will compete for bandwidth directly based on its own PIR and CIR parameters.

By default, a subscriber host queue with the port-parent option enabled is scheduled within the context of the port's port scheduler policy.

The no form of the command removes the port-scheduler-policy-name from the configuration. The **agg-rate rate**, **port-scheduler-policy** and **scheduler-policy** commands are mutually exclusive. Changing between the use of a scheduler policy and the use of an agg-rate/port-scheduler-policy involves removing the existing command and applying the new command.

**Parameters** *port-scheduler-policy-name* — Specifies an existing port-scheduler-policy configured in the config>qos context.



## scheduler-policy

|                    |                                                                                                                                                                                                                                                                                                                                                                                                                                                                                                                                                                                                                                                                                                                                                                                                                                                                                                                                                                                                                                                                                                                                                              |
|--------------------|--------------------------------------------------------------------------------------------------------------------------------------------------------------------------------------------------------------------------------------------------------------------------------------------------------------------------------------------------------------------------------------------------------------------------------------------------------------------------------------------------------------------------------------------------------------------------------------------------------------------------------------------------------------------------------------------------------------------------------------------------------------------------------------------------------------------------------------------------------------------------------------------------------------------------------------------------------------------------------------------------------------------------------------------------------------------------------------------------------------------------------------------------------------|
| <b>Syntax</b>      | <b>scheduler-policy</b> <i>scheduler-policy-name</i><br><b>no scheduler-policy</b>                                                                                                                                                                                                                                                                                                                                                                                                                                                                                                                                                                                                                                                                                                                                                                                                                                                                                                                                                                                                                                                                           |
| <b>Context</b>     | config>port>ethernet>access>egress>vport                                                                                                                                                                                                                                                                                                                                                                                                                                                                                                                                                                                                                                                                                                                                                                                                                                                                                                                                                                                                                                                                                                                     |
| <b>Description</b> | <p>This command specifies a scheduler policy to associate to the VPORT. Scheduler policies are configured in the config&gt;qos&gt;scheduler&gt;policy context. Each scheduler policy is divided up into groups of schedulers based on the tier each scheduler is created under. A tier is used to give structure to the schedulers within a policy and define rules for parent scheduler associations. The policy defines the hierarchy and operating parameters for virtual schedulers.</p> <p>The <b>no</b> form of this command removes the configured egress scheduler policy from the VPORT.</p> <p>The <b>agg-rate</b> <i>rate</i>, <b>port-scheduler-policy</b>, and <b>scheduler-policy</b> commands are mutually exclusive. Changing between the use of a scheduler policy and the use of an agg-rate/port-scheduler-policy involves removing the existing command and applying the new command. Applying a <b>scheduler-policy</b> to a VPORT is only applicable to Ethernet interfaces.</p> <p>The configuration of a scheduler policy under a VPORT is mutually exclusive with the configuration of the <b>egress-rate-modify</b> parameter.</p> |
| <b>Default</b>     | no scheduler-policy                                                                                                                                                                                                                                                                                                                                                                                                                                                                                                                                                                                                                                                                                                                                                                                                                                                                                                                                                                                                                                                                                                                                          |
| <b>Parameters</b>  | <i>scheduler-policy-name</i> — Specifies an existing scheduler policy name that was created in the config>qos>scheduler-policy <i>scheduler-policy-name</i> context to create the hierarchy of egress virtual schedulers.                                                                                                                                                                                                                                                                                                                                                                                                                                                                                                                                                                                                                                                                                                                                                                                                                                                                                                                                    |

## autonegotiate

|                    |                                                                                                                                                                                                                                                                                                                                                                                                                                                                                                                                                                                                                                                                                                                                                                                                                                                                                                                                                                                                                                                                                              |
|--------------------|----------------------------------------------------------------------------------------------------------------------------------------------------------------------------------------------------------------------------------------------------------------------------------------------------------------------------------------------------------------------------------------------------------------------------------------------------------------------------------------------------------------------------------------------------------------------------------------------------------------------------------------------------------------------------------------------------------------------------------------------------------------------------------------------------------------------------------------------------------------------------------------------------------------------------------------------------------------------------------------------------------------------------------------------------------------------------------------------|
| <b>Syntax</b>      | <b>autonegotiate</b> [limited]<br><b>no autonegotiate</b>                                                                                                                                                                                                                                                                                                                                                                                                                                                                                                                                                                                                                                                                                                                                                                                                                                                                                                                                                                                                                                    |
| <b>Context</b>     | config>port>ethernet                                                                                                                                                                                                                                                                                                                                                                                                                                                                                                                                                                                                                                                                                                                                                                                                                                                                                                                                                                                                                                                                         |
| <b>Description</b> | <p>This command enables speed and duplex autonegotiation on Fast Ethernet ports and enables far-end fault indicator support on gigabit ports.</p> <p>There are three possible settings for autonegotiation:</p> <ul style="list-style-type: none"> <li>• “on” or enabled with full port capabilities advertised</li> <li>• “off” or disabled where there are no autonegotiation advertisements</li> <li>• “limited” where a single speed/duplex is advertised.</li> </ul> <p>When autonegotiation is enabled on a port, the link attempts to automatically negotiate the link speed and duplex parameters. If autonegotiation is enabled, the configured duplex and speed parameters are ignored.</p> <p>When autonegotiation is disabled on a port, the port does not attempt to autonegotiate and will only operate at the <b>speed</b> and <b>duplex</b> settings configured for the port. Note that disabling autonegotiation on gigabit ports is not allowed as the IEEE 802.3 specification for gigabit Ethernet requires autonegotiation be enabled for far end fault indication.</p> |

## Ethernet Port Commands

If the **autonegotiate limited** keyword option is specified the port will autonegotiate but will only advertise a specific speed and duplex. The speed and duplex advertised are the **speed** and **duplex** settings configured for the port. One use for limited mode is for multispeed gigabit ports to force gigabit operation while keeping autonegotiation enabled for compliance with IEEE 801.3.

7750 SR OS requires that autonegotiation be disabled or limited for ports in a Link Aggregation Group to guarantee a specific port speed.

The **no** form of this command disables autonegotiation on this port.

**Default** autonegotiate

**Parameters** **limited** — The Ethernet interface will automatically negotiate link parameters with the far end, but will only advertise the speed and duplex mode specified by the Ethernet **speed** and **duplex** commands.

## dot1q-etype

**Syntax** **dot1q-etype 0x0600..0xffff**  
**no dot1q-etype**

**Context** config>port>ethernet

**Description** This command specifies the Ethertype expected when the port's encapsulation type is dot1q. Dot1q encapsulation is supported only on Ethernet interfaces.

The **no** form of this command reverts the dot1q-etype value to the default.

**Parameters** *0x0600..0xffff* — Specifies the Ethertype to expect.

**Default** If the encap-type is dot1p, then the default is 0x8100.  
If the encap-type is qinq, then the default is 0x8100.

## duplex

**Syntax** **duplex {full | half}**

**Context** config>port>ethernet

**Description** This command configures the duplex of a Fast Ethernet port when autonegotiation is disabled.

This configuration command allows for the configuration of the duplex mode of a Fast Ethernet port. If the port is configured to autonegotiate this parameter is ignored.

**Default** full

**Parameters** **full** — Sets the link to full duplex mode.

**half** — Sets the link to half duplex mode.

## efm-oam

**Syntax** efm-oam

**Context** config>port>ethernet

**Description** This command configures EFM-OAM attributes.

## accept-remote-loopback

**Syntax** [no] accept-remote-loopback

**Context** config>port>ethernet>efm-oam

**Description** This command enables reactions to loopback control OAM PDUs from peers.  
The **no** form of this command disables reactions to loopback control OAM PDUs.

**Default** no accept-remote-loopback

## grace-tx-enable

**Syntax** [no] grace-tx-enable

**Context** config>system>ethernet>efm-oam  
config>port>ethernet>efm-oam

**Description** Enables the sending of grace for all the enabled EFM-OAM sessions on the node. Disabled by default at the system level and enabled by default at the port level. The combination of the system level and port level configuration will determine if the grace is enabled on the individual ports. Both the system level and the port level must be enabled in order to support grace on a specific port. If either is disabled grace is not enabled on those ports. Enabling grace during an active ISSU or soft reset will not be in for that event.

**Default** config>system>ethernet>efm-oam [no] grace-tx-enable  
config>port>ethernet>efm-oam grace-tx-enable

## hold-time

|                    |                                                                                                                                                                                                                                                                                                                                                                                                                                                                                                                                                                                                                                                                                                                                                                                                                                                              |
|--------------------|--------------------------------------------------------------------------------------------------------------------------------------------------------------------------------------------------------------------------------------------------------------------------------------------------------------------------------------------------------------------------------------------------------------------------------------------------------------------------------------------------------------------------------------------------------------------------------------------------------------------------------------------------------------------------------------------------------------------------------------------------------------------------------------------------------------------------------------------------------------|
| <b>Syntax</b>      | <b>hold-time</b> <i>time-value</i><br><b>no hold-time</b>                                                                                                                                                                                                                                                                                                                                                                                                                                                                                                                                                                                                                                                                                                                                                                                                    |
| <b>Context</b>     | config>port>ethernet>efm-oam                                                                                                                                                                                                                                                                                                                                                                                                                                                                                                                                                                                                                                                                                                                                                                                                                                 |
| <b>Description</b> | This command configures efm-oam operational transition dampening timers which reduce the number of efm-oam state transitions reported to upper layers.                                                                                                                                                                                                                                                                                                                                                                                                                                                                                                                                                                                                                                                                                                       |
| <b>Default</b>     | 0                                                                                                                                                                                                                                                                                                                                                                                                                                                                                                                                                                                                                                                                                                                                                                                                                                                            |
| <b>Parameters</b>  | <i>time-value</i> — Indicates the number of seconds that the efm-oam protocol will wait before going back to the operational state after leaving the operational state. Note that the hold-time does not apply if efm-oam moved from operational to link-fault.<br><br>A hold-time value of zero indicates that there should be no delay in transitioning to the operational state. A non-zero value will cause the efm-oam protocol to attempt to negotiate with a peer if possible, but it will remain in the send-local-remote-ok state until the hold time has expired if negotiation is successful.<br><br>If efm-oam is administratively shutdown while it was in the operational state and then re-enabled when a non-zero hold time is configured, efm-oam will attempt transition to the operational state immediately.<br><br><b>Values</b> 0 — 50 |

## ignore-efm-state

|                    |                                                                                                                                                                                                                                                                                                                                                                             |
|--------------------|-----------------------------------------------------------------------------------------------------------------------------------------------------------------------------------------------------------------------------------------------------------------------------------------------------------------------------------------------------------------------------|
| <b>Syntax</b>      | <b>[no] ignore-efm-state</b>                                                                                                                                                                                                                                                                                                                                                |
| <b>Context</b>     | config>port>ethernet>efm-oam>                                                                                                                                                                                                                                                                                                                                               |
| <b>Description</b> | When the <b>ignore-efm-state</b> command is configured, ANY failure in the protocol state machine (discovery, configuration, timeout, loops, etc.) does not impact the state of the port. There is only be a protocol warning message on the port. If this optional command is not configured, the port state is affected by any existing EFM-OAM protocol fault condition. |
| <b>Default</b>     | <b>no ignore-efm-state</b>                                                                                                                                                                                                                                                                                                                                                  |

## mode

|                    |                                                                                                                                                                                                                                                                                                                                                       |
|--------------------|-------------------------------------------------------------------------------------------------------------------------------------------------------------------------------------------------------------------------------------------------------------------------------------------------------------------------------------------------------|
| <b>Syntax</b>      | <b>mode</b> { <b>active</b>   <b>passive</b> }                                                                                                                                                                                                                                                                                                        |
| <b>Context</b>     | config>port>ethernet>efm-oam                                                                                                                                                                                                                                                                                                                          |
| <b>Description</b> | This command configures the mode of OAM operation for this Ethernet port. These two modes differ in that active mode causes the port to continually send out efm-oam info PDUs while passive mode waits for the peer to initiate the negotiation process. A passive mode port cannot initiate monitoring activities (such as loopback) with the peer. |
| <b>Default</b>     | active                                                                                                                                                                                                                                                                                                                                                |

- Parameters**    **active** — Provides capability to initiate negotiation and monitoring activities.  
**passive** — Relies on peer to initiate negotiation and monitoring activities.

## transmit-interval

- Syntax**    **[no] transmit-interval** *interval* [**multiplier** *multiplier*]
- Context**    config>port>ethernet>efm-oam
- Description**    This command configures the transmit interval of OAM PDUs.
- Default**    transmit-interval 10 multiplier 5
- Parameters**    *interval* — Specifies the transmit interval.  
                   **Values**    1 — 600 (in 100 milliseconds)  
**multiplier** *multiplier* — Specifies the multiplier for transmit-interval to set local link down timer.  
                   **Values**    2 — 5

## tunneling

- Syntax**    **[no] tunneling**
- Context**    config>port>ethernet>efm-oam
- Description**    This command enables EFM OAM PDU tunneling. Enabling tunneling will allow a port mode Epipe SAP to pass OAM frames through the pipe to the far end.  
                   The **no** form of the command disables tunneling.
- Default**    no tunneling

## egress-rate

- Syntax**    **egress-rate** *sub-rate*  
**no egress-rate**
- Context**    config>port>ethernet
- Description**    This command configures the rate of traffic leaving the network.  
                   The **no** form of this command returns the value to the default.
- Default**    no egress-rate
- Parameters**    *sub-rate* — The egress rate in Kbps.  
                   **Values**    1 — 10000000

## encap-type

|                    |                                                                                                                                                                                                                                                                                                                      |
|--------------------|----------------------------------------------------------------------------------------------------------------------------------------------------------------------------------------------------------------------------------------------------------------------------------------------------------------------|
| <b>Syntax</b>      | <b>encap-type</b> { <b>dot1q</b>   <b>null</b>   <b>qinq</b> }<br><b>no encap-type</b>                                                                                                                                                                                                                               |
| <b>Context</b>     | config>port>ethernet                                                                                                                                                                                                                                                                                                 |
| <b>Description</b> | This command configures the encapsulation method used to distinguish customer traffic on an Ethernet access port, or different VLANs on a network port.<br>The <b>no</b> form of this command restores the default.                                                                                                  |
| <b>Default</b>     | null                                                                                                                                                                                                                                                                                                                 |
| <b>Parameters</b>  | <b>dot1q</b> — Ingress frames carry 802.1Q tags where each tag signifies a different service.<br><b>null</b> — Ingress frames will not use any tags to delineate a service. As a result, only one service can be configured on a port with a null encapsulation type.<br><b>qinq</b> — Specifies QinQ encapsulation. |

## hold-time

|                    |                                                                                                                                                                                                                                                                                                                                                                                                                                                                                                                                                                                                                                                                                                                                                                                                                                                                                 |
|--------------------|---------------------------------------------------------------------------------------------------------------------------------------------------------------------------------------------------------------------------------------------------------------------------------------------------------------------------------------------------------------------------------------------------------------------------------------------------------------------------------------------------------------------------------------------------------------------------------------------------------------------------------------------------------------------------------------------------------------------------------------------------------------------------------------------------------------------------------------------------------------------------------|
| <b>Syntax</b>      | <b>hold-time</b> {[ <b>up</b> <i>hold-time up</i> ] [ <b>down</b> <i>hold-time down</i> ] [ <b>seconds</b>   <b>centiseconds</b> ]}<br><b>no hold-time</b>                                                                                                                                                                                                                                                                                                                                                                                                                                                                                                                                                                                                                                                                                                                      |
| <b>Context</b>     | config>port>ethernet                                                                                                                                                                                                                                                                                                                                                                                                                                                                                                                                                                                                                                                                                                                                                                                                                                                            |
| <b>Description</b> | This command configures port link dampening timers which reduce the number of link transitions reported to upper layer protocols. The <b>hold-time</b> value is used to dampen interface transitions.<br>When an interface transitions from an up state to a down state, it is immediately advertised to the rest of the system if the hold-time down interval is zero, but if the hold-time down interval is greater than zero, interface down transitions are not advertised to upper layers until the hold-time down interval has expired. Likewise, an interface is immediately advertised as up to the rest of the system if the hold-time up interval is zero, but if the hold-time up interval is greater than zero, up transitions are not advertised until the hold-time up interval has expired.<br>The <b>no</b> form of this command reverts to the default values. |
| <b>Default</b>     | <b>down 0</b> seconds — No port link down dampening is enabled; link down transitions are immediately reported to upper layer protocols.<br><b>up 0</b> seconds — No port link up dampening is enabled; link up transitions are immediately reported to upper layer protocols.                                                                                                                                                                                                                                                                                                                                                                                                                                                                                                                                                                                                  |
| <b>Parameters</b>  | <b>up</b> <i>hold-time up</i> — — The delay, in seconds or centiseconds, to notify the upper layers after an interface transitions from a down state to an up state.<br><b>Values</b> 0 — 900 seconds<br>0, 10 — 90000 centiseconds in 5 centisecond increments<br><b>down</b> <i>hold-time down</i> — The delay, in seconds or centiseconds, to notify the upper layers after an interface                                                                                                                                                                                                                                                                                                                                                                                                                                                                                     |

transitions from an up state to a down state.

**Values** 0 — 900 seconds  
0, 10 — 90000 centiseconds in 5 centisecond increments

**seconds** | **centiseconds** — Specify the units of your hold time in **seconds** or **centiseconds**.

Note: The centisecond option is not available on the 7750 SR-1 chassis.

## hsmda-scheduler-overrides

**Syntax** [no] hsmda-scheduler-overrides

**Context** config>port>ethernet

**Description** This command enables the context to configure ingress and egress HSMDA scheduler override parameters. Executing hsmda-scheduler-override places the current CLI context into the egress scheduler override node either at the ingress MDA or egress port level.

Default values are:

| Values | Command description     | Configuration                                                                                                                                                                                                                                        |
|--------|-------------------------|------------------------------------------------------------------------------------------------------------------------------------------------------------------------------------------------------------------------------------------------------|
|        | <b>max-rate</b>         | no max-rate                                                                                                                                                                                                                                          |
|        | <b>group</b>            | group 1 rate max<br>group 2 rate max                                                                                                                                                                                                                 |
|        | <b>scheduling-class</b> | scheduling-class 1 rate max<br>scheduling-class 2 rate max<br>scheduling-class 3 rate max<br>scheduling-class 4 rate max<br>scheduling-class 5 rate max<br>scheduling-class 6 rate max<br>scheduling-class 7 rate max<br>scheduling-class 8 rate max |

The **no** form of the command removes the overridden parameters from the HSMDA egress port or ingress MDA scheduler. Once existing overrides are removed, the scheduler reverts all scheduling parameters back to the parameters defined on the hsmda-scheduler-policy associated with the egress port or ingress MDA.

## group

**Syntax** **group** *group-id* **rate** *rate*  
**no group** *group-id*

**Context** config>port>ethernet>hsmda

**Description** This command changes the maximum rate allowed for a weighted scheduling group on the local HSMDA scheduler. Scheduling classes within the group are managed with an aggregate rate limit when either an

## Ethernet Port Commands

explicit group rate is defined on the HSMDA scheduling policy or a local override is defined based on the group override command.

The **no** form of the command removes the local overrides for the weighted scheduling group. Once removed, the defined behavior within the HSMDA scheduling policy for the weighted scheduling group is used.

**Parameters** *group-id* — Identifies the two weighted scheduling groups to be overridden.

**Values** 1, 2

*rate* — The *megabits-per-second* parameter specifies a local limit on the total bandwidth for the weighted scheduling group and overrides any rate defined in the HSMDA scheduler policy for the weighted scheduling group. The parameter is specified in Megabits per second in a base 10 context. A value of 1 equals a rate of 1000000 bits per second.

The **max** keyword removes any existing rate limit imposed by the HSMDA scheduler policy for the weighted scheduling group allowing it to use as much total bandwidth as possible.

**Values** 1 — 40000, max (Mbps)

## max-rate

**Syntax** **max-rate** *rate*  
**no max-rate**

**Context** config>port>ethernet>hsmda

**Description** This command overrides the **max-rate** parameters configured in the *hsmda-scheduler-policy* associated with the egress port or ingress MDA. When a **max-rate** is defined at the override level, the HSMDA scheduler policy's **max-rate** parameter is ignored.

The **hsmda-scheduler-override max-rate** command supports a **max** parameter that allows the override command to restore the default of not having a rate limit on the port scheduler. This is helpful when the HSMDA scheduler policy has an explicit maximum rate defined and it is desirable to remove this limit at the port instance.

The **no** form of the command removes the maximum rate override from the egress port or the ingress MDA scheduler context. Once removed, the *max-rate* parameter from the HSMDA scheduler policy associated with the port or MDA will be used by the local scheduler context.

**Parameters** *rate* — The **rate** parameter is mutually exclusive to specifying the **max** keyword. When executing the *max-rate* override command either the keyword **max** or a rate in megabits-per-second must be specified.

**Values** 1 — 40000000, max (Mbps)

**max** — The **max** keyword is mutually exclusive to specifying a **rate** in megabits-per-second. When executing the **max-rate** override command either the keyword **max** or a rate in megabits-per-second must be specified. The **max** keyword removes an existing rate limit from the HSMDA scheduler context.



## scheduling-class

**Syntax** **scheduling-class** *class* **rate** *rate*  
**scheduling-class** *class* **weight** *weight-in-group*  
**no scheduling-class** *class*

**Context** config>port>ethernet>hsmda

**Description** This command overrides the maximum rate allowed for a scheduling class or the weight of the class within a weighted scheduling group. The scheduling-class override cannot be used to change scheduling class weighted group membership; weighted group membership may only be defined within the HSMDA scheduling policy.

Scheduling classes correspond directly to the queue-IDs used by every queue on an HSMDA. All queues with an ID of 1 associated with the scheduler are members of scheduling class 1 on the scheduler. Queues with an ID of 2 are members of scheduling class 2. This is true through scheduling class 8.

When the scheduling class is not a member of a weighted group, the scheduling-class command may be used to modify the maximum rate allowed for the scheduling class. This is done using the rate parameter followed by either the max keyword or an actual rate defined as megabits-per-second. Use the rate max combination to locally remove a rate limit defined for the class on the scheduling policy. When the rate megabits-per-second combination is used, the scheduling class defined as class-id is rate limited to the specified rate. Either the keyword max or a value for megabits-per-second must follow the rate keyword.

The rate keyword is mutually exclusive with the weight keyword. The weight keyword may only be specified when class-id is a member of a weighted scheduling group. When the weight keyword is specified, a weight value specified as weight must follow. The new weight locally overrides the weight defined for the scheduling class in the HSMDA scheduling policy.

When the scheduling-class command is executed, either the rate or weight keyword must follow.

When a scheduling class has a local rate override, the HSMDA policy associated with the override cannot move the scheduling class into a weighted scheduling group. Similarly, when a scheduling class has a local weight override, the HSMDA policy associated with the override cannot define a rate (neither max nor a megabit-per-second value) for the scheduling class. The local overrides of the scheduling class must be removed before these changes may be made.

The **no** form of the command removes the local overrides for the scheduling class. Once removed, the defined behavior for the scheduling class within the HSMDA scheduling policy will used.

**Parameters** *class* — Identifies the scheduling class to be being overridden.

**Values** 1 — 8

*rate* — Overrides the HSMDA scheduler policies maximum rate for the scheduling class and requires either the **max** keyword or a rate defined in megabits-per-second. In order for the **rate** keyword to be specified, the scheduling class cannot be a member of a weighted scheduling group as defined on the HSMDA scheduling policy. The **rate** keyword is mutually exclusive with the **weight** keyword. Also, either the **rate** or **weight** keyword must be specified.

The **max** keyword removes any existing rate limit imposed by the HSMDA scheduler policy for the scheduling class allowing it to use as much total bandwidth as possible.

**Values** 1 — 40000000, max (Mbps)

**weight** *weight-in-group* — Overrides the weighted scheduler group weight for the scheduling class as

## Ethernet Port Commands

defined in the HSMDA scheduler policy. In order for the weight keyword to be specified, the scheduling class must be a member of a weighted scheduling group as defined on the HSMDA scheduling policy. A value represented by group-weight must follow the **weight** keyword. The new weight will be used to determine the bandwidth distribution for member scheduling classes within the group of which the scheduling class is a member.

**Values** 1 — 100

## ingress-rate

|                    |                                                                                                                                                                                                                                                                                                                          |
|--------------------|--------------------------------------------------------------------------------------------------------------------------------------------------------------------------------------------------------------------------------------------------------------------------------------------------------------------------|
| <b>Syntax</b>      | <b>ingress-rate</b> <i>sub-rate</i><br><b>no ingress-rate</b>                                                                                                                                                                                                                                                            |
| <b>Context</b>     | config>port>ethernet                                                                                                                                                                                                                                                                                                     |
| <b>Description</b> | This command configures the maximum amount of ingress bandwidth that this port can receive.<br>The ingress-rate command is only valid for oversubscribed Ethernet MDAs. See <a href="#">Oversubscribed Ethernet MDAs on page 24</a> for details.<br>The <b>no</b> form of this command returns the value to the default. |
| <b>Default</b>     | no ingress-rate                                                                                                                                                                                                                                                                                                          |
| <b>Parameters</b>  | <i>sub-rate</i> — The egress rate in mbps.<br><b>Values</b> 1 — 10000 mbps                                                                                                                                                                                                                                               |

## lACP-tunnel

|                    |                                                                                                                                                                                                                                                                                                                       |
|--------------------|-----------------------------------------------------------------------------------------------------------------------------------------------------------------------------------------------------------------------------------------------------------------------------------------------------------------------|
| <b>Syntax</b>      | <b>[no] lACP-tunnel</b>                                                                                                                                                                                                                                                                                               |
| <b>Context</b>     | config>port>ethernet                                                                                                                                                                                                                                                                                                  |
| <b>Description</b> | This command enables LACP packet tunneling for the Ethernet port. When tunneling is enabled, the port will not process any LACP packets but will tunnel them instead. The port cannot be added as a member to a LAG group.<br>The <b>no</b> form of the command disables LACP packet tunneling for the Ethernet port. |
| <b>Default</b>     | no lACP-tunnel                                                                                                                                                                                                                                                                                                        |

## load-balancing-algorithm

|                    |                                                                                                                                                                                                                                                                                                                                                        |
|--------------------|--------------------------------------------------------------------------------------------------------------------------------------------------------------------------------------------------------------------------------------------------------------------------------------------------------------------------------------------------------|
| <b>Syntax</b>      | <b>load-balancing-algorithm</b> <i>option</i><br><b>no load-balancing-algorithm</b>                                                                                                                                                                                                                                                                    |
| <b>Context</b>     | config>port>ethernet<br>config>port>sonet-sdh>path<br>config>port>tdm>ds1>channel-group<br>config>port>tdm>ds3<br>config>port>tdm>e1>channel-group<br>config>port>tdm>e3                                                                                                                                                                               |
| <b>Description</b> | This command specifies the load balancing algorithm to be used on this port.<br>In the default mode, <b>no load-balancing-algorithm</b> , the port inherits the global settings. The value is not applicable for ports that do not pass any traffic.<br>The configuration of load-balancing-algorithm at logical port level has three possible values: |

## Ethernet Port Commands

- **include-l4** — Enables inherits system-wide settings including Layer 4 source and destination port value in hashing algorithm.
- **exclude-l4** — Layer 4 source and destination port value will not be included in hashing.
- **no load-balancing-algorithm** — Inherits system-wide settings.

The hashing algorithm addresses finer spraying granularity where many hosts are connected to the network. To address more efficient traffic distribution between network links (forming a LAG group), a hashing algorithm extension takes into account Layer 4 information (src/dst L4-protocol port).

The hashing index can be calculated according to the following algorithm:

```
 If [(TCP or UDP traffic) & enabled]
 hash (<TCP/UDP ports>, <IP addresses>)
 else if (IP traffic)
 hash (<IP addresses>)
 else
 hash (<MAC addresses>)
 endif
```

This algorithm will be used in all cases where IP information in per-packet hashing is included (see [LAG and ECMP Hashing on page 117](#)). However the Layer 4 information (TCP/UDP ports) will not be used in the following cases:

- Fragmented packets

Default no load-balancing-algorithm

**Parameters** *option* — Specifies the load balancing algorithm to be used on this port.

**Values** **include-l4** — Specifies that the source and destination ports are used in the hashing algorithm.  
**exclude-l4** — Specifies that the source and destination ports are not used in the hashing algorithm.

## pbb-etype

**Syntax** **pbb-etype** [0x0600..0xffff]  
**no pbb-etype**

**Context** config>port>ethernet

**Default** 0x88E7

**Description** This command configures the Ethertype used for PBB encapsulation.

**Values** **0x0600..0xffff:** 1536 — 65535 (accepted in decimal or hex)

## qinq-etype

- Syntax** **qinq-etype** *0x0600..0xffff*  
**no qinq-etype**
- Context** config>port>ethernet
- Description** This command configures the Ethertype used for Q-in-Q encapsulation. The **no** form of this command reverts the qinq-etype value to the default.
- Parameters** *0x0600..0xffff* — Specifies the qinq-etype to expect.
- Values** 1536 — 65535 in decimal or hex formats.

## report-alarm

- Syntax** [**no**] **report-alarm** [**signal-fail**] [**remote**] [**local**] [**no-frame-lock**] [**lcd**]
- Context** config>port>ethernet
- Description** This command specifies when and if to generate alarms and alarm clear notifications for this port.
- Parameters** **signal-fail** — Reports an Ethernet signal lost alarm.  
**remote** — Reports remote faults.  
**local** — Reports local faults.  
**no-frame-lock** — Reports a 'not locked on the ethernet framing sequence' alarm.  
**lcd** — Reports a codegroup delineation error.

## single-fiber

- Syntax** [**no**] **single-fiber**
- Context** config>port>ethernet
- Description** This command enables packet gathering and redirection of IP packets from a single fiber (RX) port of the Ethernet or SONET/SDH interface and redistributes packets to other interfaces through either static routes or policy-based forwarding.
- This parameter can be applied in conjunction with the strip-label command. If they are applied together, the port must have the single-fiber option configured before it can be associated with an interface that is configured with the strip-label option.
- Once a port is configured with single-fiber, traffic will no longer be transmitted out of that port.
- Default** no single-fiber

## Ethernet Port Commands

### speed

|                    |                                                                                                                                                                                                                                                              |
|--------------------|--------------------------------------------------------------------------------------------------------------------------------------------------------------------------------------------------------------------------------------------------------------|
| <b>Syntax</b>      | <b>speed</b> { <b>10</b>   <b>100</b>   <b>1000</b> }                                                                                                                                                                                                        |
| <b>Context</b>     | config>port>ethernet                                                                                                                                                                                                                                         |
| <b>Description</b> | This command configures the port speed of a Fast Ethernet port when autonegotiation is disabled. If the port is configured to autonegotiate this parameter is ignored. Speed cannot be configured for ports that are part of a Link Aggregation Group (LAG). |
| <b>Default</b>     | <b>100</b>                                                                                                                                                                                                                                                   |
| <b>Parameters</b>  | <b>10</b> — Sets the link to 10 mbps speed.<br><b>100</b> — Sets the link to 100 mbps speed.<br><b>1000</b> — Sets the link to 1000 mbps speed.                                                                                                              |

### ssm

|                    |                                                                 |
|--------------------|-----------------------------------------------------------------|
| <b>Syntax</b>      | <b>ssm</b>                                                      |
| <b>Context</b>     | config>port>ethernet                                            |
| <b>Description</b> | This command enables Ethernet Synchronous Status Message (SSM). |

### code-type

|                    |                                                                                                                                                                                                                                                                                                                                                                                                                                           |
|--------------------|-------------------------------------------------------------------------------------------------------------------------------------------------------------------------------------------------------------------------------------------------------------------------------------------------------------------------------------------------------------------------------------------------------------------------------------------|
| <b>Syntax</b>      | <b>code-type</b> [ <b>sonet</b>   <b>sdh</b> ]                                                                                                                                                                                                                                                                                                                                                                                            |
| <b>Context</b>     | config>port>ethernet>ssm                                                                                                                                                                                                                                                                                                                                                                                                                  |
| <b>Description</b> | This command configures the encoding of synchronous status messages. For example, whether to use an SDH or SONET set of values. Configuring the network-type is only applicable to SyncE ports. It is not configurable on SONET/SDH ports. For the network-type, sdh refers to ITU-T G.781 Option I, while sonet refers to G.781 Option II (equivalent to Telcordia GR-253-CORE). For compatibility with Release 7.0, sdh is the default. |
| <b>Default</b>     | sdh                                                                                                                                                                                                                                                                                                                                                                                                                                       |
| <b>Parameters</b>  | <b>sdh</b> — Specifies the values used on a G.781 Option 1 compliant network.<br><b>sonet</b> — Specifies the values used on a G.781 Option 2 compliant network.                                                                                                                                                                                                                                                                          |

## tx-dus

|                    |                                                                                                                                                                                                                                                         |
|--------------------|---------------------------------------------------------------------------------------------------------------------------------------------------------------------------------------------------------------------------------------------------------|
| <b>Syntax</b>      | <b>[no] tx-dus</b>                                                                                                                                                                                                                                      |
| <b>Context</b>     | config>port>ethernet>ssm<br>config>port>sonet-sdh                                                                                                                                                                                                       |
| <b>Description</b> | This command forces the QL value transmitted from the SSM channel of the SONET/SDH port or the Synchronous Ethernet port to be set to QL-DUS/QL-DNU. This capability is provided to block the use of the interface from the SR/ESS for timing purposes. |
| <b>Default</b>     | no tx-dus                                                                                                                                                                                                                                               |

## xgig

|                    |                                                                                                                                                                                                                                                                                                                                                                    |
|--------------------|--------------------------------------------------------------------------------------------------------------------------------------------------------------------------------------------------------------------------------------------------------------------------------------------------------------------------------------------------------------------|
| <b>Syntax</b>      | <b>xgig {lan   wan}</b>                                                                                                                                                                                                                                                                                                                                            |
| <b>Context</b>     | config>port>ethernet                                                                                                                                                                                                                                                                                                                                               |
| <b>Description</b> | This command configures a 10 Gbps interface to be in Local or Wide Area Network (LAN or WAN) mode. When configuring the port to be in WAN mode certain SONET/SDH parameters can be changed to reflect the SONET/SDH requirements for this port.<br><br>When the port is configured for LAN mode, all SONET/SDH parameters are pre-determined and not configurable. |
| <b>Default</b>     | <b>lan</b>                                                                                                                                                                                                                                                                                                                                                         |
| <b>Parameters</b>  | <b>lan</b> — Sets the port to operate in LAN mode<br><b>wan</b> — Sets the port to operate in WAN mode.                                                                                                                                                                                                                                                            |

## crc-monitor

|                    |                                                             |
|--------------------|-------------------------------------------------------------|
| <b>Syntax</b>      | <b>crc-monitor</b>                                          |
| <b>Context</b>     | config>port>ethernet                                        |
| <b>Description</b> | This command configures Ethernet CRC Monitoring parameters. |
| <b>Default</b>     | none                                                        |

## sd-threshold

**Syntax** [no] **sd-threshold** *N* [**multiplier** *M*]

**Context** config>port>ethernet>crc-monitor

**Description** This command specifies the error rate at which to declare the Signal Degrade condition on an Ethernet interface. The value represents  $M \cdot 10E-N$  a ratio of errored frames over total frames received over *W* seconds of the sliding window. The CRC errors on the interface are sampled once per second. A default of 10 seconds is used when there is no additional window-size configured. The multiplier keyword is optional. If the multiplier keyword is omitted or **no sd-threshold** is specified the multiplier will return to the default value of 1.

**Default** no sd-threshold

**Parameters** **value** *N* — Represents the rate of CRC errored Ethernet frames.

**Values** 1-9

**value** *M* — Represents the multiplier used to scale the CRC error ratio.

**Values** 1-9

## sf-threshold

**Syntax** [no] **sf-threshold** *N* [**multiplier** *M*]

**Context** config>port>ethernet>crc-monitor

**Description** This command specifies the error rate at which to declare the Signal Fail condition on an Ethernet interface. The value represents  $M \cdot 10E-N$  errored frames over total frames received over *W* seconds of the sliding window. The CRC errors on the interface are sampled once per second. A default of 10 seconds is used when there is no additional window-size configured. The multiplier keyword is optional. If the multiplier keyword is omitted or **no sf-threshold** is specified the multiplier will return to the default value of 1.

**Default** no sf-threshold

**Parameters** **value** *N* — Represents the rate of CRC errored Ethernet frames.

**Values** 1-9

**value** *M* — Represents the multiplier used to scale the CRC error ratio.

**Values** 1-9



## window-size

|                    |                                                                                                                                                                                                                                                        |
|--------------------|--------------------------------------------------------------------------------------------------------------------------------------------------------------------------------------------------------------------------------------------------------|
| <b>Syntax</b>      | <b>[no] window-size <i>W</i></b>                                                                                                                                                                                                                       |
| <b>Context</b>     | config>port>ethernet>crc-monitor                                                                                                                                                                                                                       |
| <b>Description</b> | This command specifies sliding window size over which the ethernet frames are sampled to detect signal fail or signal degrade conditions. The command is used jointly with the sf-threshold and the sd-threshold to configure the sliding window size. |
| <b>Default</b>     | 10                                                                                                                                                                                                                                                     |
| <b>Parameters</b>  | <b>value <i>W</i></b> — The size of the sliding window in seconds over which the errors are measured.                                                                                                                                                  |
|                    | <b>Values</b> 1-10                                                                                                                                                                                                                                     |

## down-on-internal-error

|                    |                                                                                                                                                    |
|--------------------|----------------------------------------------------------------------------------------------------------------------------------------------------|
| <b>Syntax</b>      | <b>[no] down-on-internal-error</b>                                                                                                                 |
| <b>Context</b>     | config>port>ethernet                                                                                                                               |
| <b>Description</b> | This command configures the system to allow to bring a port operationally down in the event the systems has detected internal max transmit errors. |
| <b>Default</b>     | no down-on-internal-erro                                                                                                                           |

## single-fiber

|                    |                                                                                                                                                                                                                                                                                                                                                                                                                                                                                                                                                                                                                                                                                           |
|--------------------|-------------------------------------------------------------------------------------------------------------------------------------------------------------------------------------------------------------------------------------------------------------------------------------------------------------------------------------------------------------------------------------------------------------------------------------------------------------------------------------------------------------------------------------------------------------------------------------------------------------------------------------------------------------------------------------------|
| <b>Syntax</b>      | <b>[no] single-fiber</b>                                                                                                                                                                                                                                                                                                                                                                                                                                                                                                                                                                                                                                                                  |
| <b>Context</b>     | config>port>ethernet<br>config>port>sonet-sdh                                                                                                                                                                                                                                                                                                                                                                                                                                                                                                                                                                                                                                             |
| <b>Description</b> | This command enables packet gathering and redirection of IP packets from a single fiber (RX) port of the Ethernet or SONET/SDH interface and redistributes packets to other interfaces through either static routes or policy-based forwarding.<br><br>This parameter can be applied in conjunction with the strip-label command. If they are applied together, the port must have the single-fiber option configured before it can be associated with an interface that is configured with the strip-label option.<br><br>Once a port is configured with single-fiber, traffic will no longer be transmitted out of that port. This command can be used in conjunction with strip-label. |
| <b>Default</b>     | no single-fiber                                                                                                                                                                                                                                                                                                                                                                                                                                                                                                                                                                                                                                                                           |

---

## 802.1x Port Commands

### max-auth-req

**Syntax** `max-auth-req max-auth-request`

**Context** `config>port>ethernet>dot1x`

**Description** This command configures the maximum number of times that the 7750 SR will send an access request RADIUS message to the RADIUS server. If a reply is not received from the RADIUS server after the specified *number* attempts, the 802.1x authentication procedure is considered to have failed.

The **no** form of this command returns the value to the default.

**Default** 2

**Parameters** *max-auth-request* — The maximum number of RADIUS retries.

**Values** 1 — 10

### port-control

**Syntax** `port-control [auto | force-auth | force-unauth]`

**Context** `config>port>ethernet>dot1x`

**Description** This command configures the 802.1x authentication mode.

The **no** form of this command returns the value to the default.

**Default** force-auth

**Parameters** **force-auth** — Disables 802.1x authentication and causes the port to transition to the authorized state without requiring any authentication exchange. The port transmits and receives normal traffic without requiring 802.1x-based host authentication.

**force-unauth** — Causes the port to remain in the unauthorized state, ignoring all attempts by the hosts to authenticate. The switch cannot provide authentication services to the host through the interface.

**auto** — Enables 802.1x authentication. The port starts in the unauthorized state, allowing only EAPOL frames to be sent and received through the port. Both the 7750 SR and the host can initiate an authentication procedure. The port will remain in un-authorized state (no traffic except EAPOL frames is allowed) until the first client is authenticated successfully. After this, traffic is allowed on the port for all connected hosts.

## quiet-period

|                    |                                                                                                                                                                                                          |
|--------------------|----------------------------------------------------------------------------------------------------------------------------------------------------------------------------------------------------------|
| <b>Syntax</b>      | <b>quiet-period</b> <i>seconds</i><br><b>no quiet-period</b>                                                                                                                                             |
| <b>Context</b>     | config>port>ethernet>dot1x                                                                                                                                                                               |
| <b>Description</b> | This command configures the period between two authentication sessions during which no EAPOL frames are sent by the 7750 SR.<br><br>The <b>no</b> form of this command returns the value to the default. |
| <b>Default</b>     | 30                                                                                                                                                                                                       |
| <b>Parameters</b>  | <i>seconds</i> — Specifies the quiet period in seconds.<br><br><b>Values</b> 1 — 3600                                                                                                                    |

## radius-plcy

|                    |                                                                                                                                                                                                                                                                                                                                                                                                                       |
|--------------------|-----------------------------------------------------------------------------------------------------------------------------------------------------------------------------------------------------------------------------------------------------------------------------------------------------------------------------------------------------------------------------------------------------------------------|
| <b>Syntax</b>      | <b>radius-plcy</b> <i>name</i><br><b>no radius-plcy</b>                                                                                                                                                                                                                                                                                                                                                               |
| <b>Context</b>     | config>port>ethernet>dot1x                                                                                                                                                                                                                                                                                                                                                                                            |
| <b>Description</b> | This command configures the RADIUS policy to be used for 802.1x authentication. An 802.1x RADIUS policy must be configured (under config>security>dot1x) before it can be associated to a port. If the RADIUS policy-id does not exist, an error is returned. Only one 802.1x RADIUS policy can be associated with a port at a time.<br><br>The <b>no</b> form of this command removes the RADIUS policy association. |
| <b>Default</b>     | no radius-plcy                                                                                                                                                                                                                                                                                                                                                                                                        |
| <b>Parameters</b>  | <i>name</i> — Specifies an existing 802.1x RADIUS policy name.                                                                                                                                                                                                                                                                                                                                                        |

## re-auth-period

|                    |                                                                                                                                                                                                                         |
|--------------------|-------------------------------------------------------------------------------------------------------------------------------------------------------------------------------------------------------------------------|
| <b>Syntax</b>      | <b>re-auth-period</b> <i>seconds</i><br><b>no re-auth-period</b>                                                                                                                                                        |
| <b>Context</b>     | config>port>ethernet>dot1x                                                                                                                                                                                              |
| <b>Description</b> | This command configures the period after which re-authentication is performed. This value is only relevant if re-authentication is enabled.<br><br>The <b>no</b> form of this command returns the value to the default. |
| <b>Default</b>     | 3600                                                                                                                                                                                                                    |

## 802.1x Port Commands

**Parameters**    *seconds* — The re-authentication delay period in seconds.

**Values**        1 — 9000

### re-authentication

**Syntax**        **[no] re-authentication**

**Context**        config>port>ethernet>dot1x

**Description**    This command enables / disables periodic 802.1x re-authentication.

When re-authentication is enabled, the 7750 SR will re-authenticate clients on the port every re-auth-period seconds.

The **no** form of the command returns the value to the default.

**Default**        re-authentication

### server-timeout

**Syntax**        **server-timeout** *seconds*  
**no server-timeout**

**Context**        config>port>ethernet>dot1x

**Description**    This command configures the period during which the 7750 SR waits for the RADIUS server to respond to its access request message. When this timer expires, the 7750 SR will re-send the access request message, up to the specified number times.

The **no** form of this command returns the value to the default.

**Default**        30

**Parameters**    *seconds* — The server timeout period in seconds.

**Values**        1 — 300

### supplicant-timeout

**Syntax**        **supplicant-timeout** *seconds*  
**no supplicant-timeout**

**Context**        config>port>ethernet>dot1x

**Description**    This command configures the period during which the 7750 SR waits for a client to respond to its EAPOL messages. When the supplicant-timeout expires, the 802.1x authentication session is considered to have failed.

The **no** form of this command returns the value to the default.

**Default** 30

**Parameters** *seconds* — The server timeout period in seconds.

**Values** 1 — 300

## transmit-period

**Syntax** **transmit-period** *seconds*  
**no transmit-period**

**Context** config>port>ethernet>dot1x

**Description** This command configures the period after which the 7750 SR sends a new EAPOL request message. The **no** form of this command returns the value to the default.

**Default** 30

**Parameters** *seconds* — The server transmit period in seconds.

**Values** 1 — 300

## tunneling

**Syntax** **tunneling**  
**no tunneling**

**Context** config>port>ethernet>dot1x

**Description** This command enables the tunneling of untagged 802.1x frames received on a port and is supported only when the dot1x port-control is set to force-auth. 802.1x tunneling is applicable to both Epipe and VPLS services using either a null SAP or a default SAP on a dot1q port. When configured, untagged 802.1x frames will be switched into the service with the corresponding supported SAP. The **no** form of this command disables tunneling of untagged 802.1x frames.

**Default** no tunneling

## down-when-looped

**Syntax** **down-when-looped**

**Context** config>port>ethernet

**Description** This command configures Ethernet loop detection attributes.

## 802.1x Port Commands

### dot1x

|                    |                                                                                                                                                                                                                                                                                                             |
|--------------------|-------------------------------------------------------------------------------------------------------------------------------------------------------------------------------------------------------------------------------------------------------------------------------------------------------------|
| <b>Syntax</b>      | <b>dot1x</b>                                                                                                                                                                                                                                                                                                |
| <b>Context</b>     | config>port>ethernet                                                                                                                                                                                                                                                                                        |
| <b>Description</b> | This command enables access to the context to configure port-specific 802.1x authentication attributes. This context can only be used when configuring a Fast Ethernet, gigabit or 10Gig EthernetFast Ethernet, gigabit or 10Gig EthernetFast Ethernet or gigabit Ethernet LAN ports on an appropriate MDA. |

### keep-alive

|                    |                                                                                                           |
|--------------------|-----------------------------------------------------------------------------------------------------------|
| <b>Syntax</b>      | <b>keep-alive</b> <i>timer</i><br><b>no keep-alive</b>                                                    |
| <b>Context</b>     | config>port>ethernet>dwl                                                                                  |
| <b>Description</b> | This command configures the time interval between keep-alive PDUs.                                        |
| <b>Default</b>     | no keep-alive                                                                                             |
| <b>Parameters</b>  | <i>timer</i> — Specifies the time interval, in seconds, between keep-alive PDUs.<br><b>Values</b> 1 — 120 |

### retry-timeout

|                    |                                                                                                                           |
|--------------------|---------------------------------------------------------------------------------------------------------------------------|
| <b>Syntax</b>      | <b>retry-timeout</b> <i>timer</i><br><b>no retry-timeout</b>                                                              |
| <b>Context</b>     | config>port>ethernet>dwl                                                                                                  |
| <b>Description</b> | This command configures the minimum wait time before re-enabling port after loop detection.                               |
| <b>Default</b>     | no retry-timeout                                                                                                          |
| <b>Parameters</b>  | <i>timer</i> — Specifies the minimum wait time before re-enabling port after loop detection.<br><b>Values</b> 0, 10 — 160 |

### use-broadcast-address

|                    |                                                                                                                                                                                     |
|--------------------|-------------------------------------------------------------------------------------------------------------------------------------------------------------------------------------|
| <b>Syntax</b>      | <b>[no] use-broadcast-address</b>                                                                                                                                                   |
| <b>Context</b>     | config>port>ethernet>dwl                                                                                                                                                            |
| <b>Description</b> | This command specifies whether or not the down when looped destination MAC address is the broadcast address, or the local port MAC address, as specified in the port's MAC address. |

---

## LLDP Port Commands

### lldp

**Syntax** `lldp`

**Context** `config>port>ethernet`

**Description** This command enables the context to configure Link Layer Discovery Protocol (LLDP) parameters on the specified port.

### dest-mac

**Syntax** `dest-mac {bridge-mac}`

**Context** `config>port>ethernet>lldp`

**Description** This command configures destination MAC address parameters.

**Parameters** **bridge-mac** — Specifies destination bridge MAC type to use by LLDP.

**Values**

- nearest-bridge** — Specifies to use the nearest bridge.
- nearest-non-tpmr** — Specifies to use the nearest non-Two-Port MAC Relay (TPMR) .
- nearest-customer** — Specifies to use the nearest customer.

### admin-status

**Syntax** `admin-status {rx | tx | tx-rx | disabled}`

**Context** `config>port>ethernet>lldp>dstmac`

**Description** This command configures LLDP transmission/reception frame handling.

**Parameters** **rx** — Specifies the LLDP agent will receive, but will not transmit LLDP frames on this port.

**tx** — Specifies that the LLDP agent will transmit LLDP frames on this port and will not store any information about the remote systems connected.

**tx-rx** — Specifies that the LLDP agent transmitw and receives LLDP frames on this port.

**disabled** — Specifies that the LLDP agent does not transmit or receive LLDP frames on this port. If there is remote systems information which is received on this port and stored in other tables, before the port's admin status becomes disabled, then the information will naturally age out.

### notification

- Syntax** [no] notification
- Context** config>port>ethernet>lldp>dstmac
- Description** This command enables LLDP notifications.  
The **no** form of the command disables LLDP notifications.

### tx-mgmt-address

- Syntax** tx-mgmt-address [system]  
no tx-mgmt-address
- Context** config>port>ethernet>lldp>dstmac
- Description** This command specifies which management address to transmit.  
The no form of the command resets value to the default.
- Default** no tx-mgmt-address
- Parameters** **system** — Specifies to use the system IP address. Note that the system address will only be transmitted once it has been configured if this parameter is specified.

### tx-tlvs

- Syntax** tx-tlvs [port-desc] [sys-name] [sys-desc] [sys-cap]  
no tx-tlvs
- Context** config>port>ethernet>lldp>dstmac
- Description** This command specifies which LLDP TLVs to transmit. The TX TLVS, defined as a bitmap, includes the basic set of LLDP TLVs whose transmission is allowed on the local LLDP agent by the network management. Each bit in the bitmap corresponds to a TLV type associated with a specific optional TLV. Organizationally-specific TLVs are excluded from the this bitmap.  
There is no bit reserved for the management address TLV type since transmission of management address TLVs are controlled by another object.  
The **no** form of the command resets the value to the default.  
no tx-tlvs
- Parameters** **port-desc** — Indicates that the LLDP agent should transmit port description TLVs.  
**sys-name** — Indicates that the LLDP agent should transmit system name TLVs.  
**sys-desc** — Indicates that the LLDP agent should transmit system description TLVs.  
**sys-cap** — Indicates that the LLDP agent should transmit system capabilities TLVs.



---

## Network Port Commands

### network

**Syntax** **network**

**Context** config>port>ethernet  
 config>port>sonet-sdh>path  
 config>port>tdm>ds1  
 config>port>tdm>ds3  
 config>port>tdm>e1  
 config>port>tdm>e3

**Description** This command enables access to the context to configure network port parameters.

### accounting-policy

**Syntax** **accounting-policy** *policy-id*  
**no accounting-policy**

**Context** config>port>ethernet>access>egr>qgrp  
 config>port>ethernet>access>ing>qgrp  
 config>port>ethernet>network>egr>qgrp  
 config>port>ethernet>network  
 config>port>sonet-sdh>path>network  
 config>port>tdm>ds1>network  
 config>port>tdm>ds3>network  
 config>port>tdm>e1>network  
 config>port>tdm>e3>network

**Description** This command configures an accounting policy that can apply to an interface.

An accounting policy must be configured before it can be associated to an interface. If the accounting *policy-id* does not exist, an error is returned.

Accounting policies associated with service billing can only be applied to SAPs. Accounting policies associated with network ports can only be associated with interfaces. Only one accounting policy can be associated with an interface at a time.

The **no** form of this command removes the accounting policy association from the network interface, and the accounting policy reverts to the default.

**Default** No accounting policies are specified by default. You must explicitly specify a policy. If configured, the accounting policy configured as the default is used.

**Parameters** *policy-id* — The accounting *policy-id* of an existing policy. Accounting policies record either service (access) or network information. A network accounting policy can only be associated with the network

## Network Port Commands

port configurations. Accounting policies are configured in the `config>log>accounting-policy` context.

**Values** 1 — 99

### collect-stats

**Syntax** `[no] collect-stats`

**Context** `config>port>ethernet>access>egr>qgrp`  
`config>port>ethernet>access>ing>qgrp`  
`config>port>ethernet>network>egr>qgrp`  
`config>port>ethernet>network`  
`config>port>sonet-sdh>path>network`  
`config>port>tdm>ds3>network`  
`config>port>tdm>e1>network`  
`config>port>tdm>e3>network`

**Description** This command enables the collection of accounting and statistical data for the network interface. When applying accounting policies, the data, by default, is collected in the appropriate records and written to the designated billing file.

When the **no collect-stats** command is issued, the statistics are still accumulated by the IOM cards, however, the CPU does not obtain the results and write them to the billing file.

If the **collect-stats** command is issued again (enabled), then the counters written to the billing file will include the traffic collected while the **no collect-stats** command was in effect.

**Default** `no collect-stats`

### queue-policy

**Syntax** `queue-policy name`  
`no queue-policy`

**Context** `config>port>ethernet>network`  
`config>port>sonet-sdh>path>network`  
`config>port>tdm>ds1>network`  
`config>port>tdm>ds1>network`  
`config>port>tdm>ds3>network`  
`config>port>tdm>e1>network`  
`config>port>tdm>e3>network`

**Description** This command specifies the existing network queue policy which defines queue parameters such as CBS, high priority only burst size, MBS, CIR and PIR rates, as well as forwarding-class to queue mappings. The network-queue policy is defined in the `config>qos>network-queue` context.

**Default** `default`

**Parameters** *name* — Specifies an existing network-queue policy name.

---

## Interface Group Handler Commands

### interface-group-handler

|                    |                                                                                                                                                                                                                                                                                                                                                                                                                                 |
|--------------------|---------------------------------------------------------------------------------------------------------------------------------------------------------------------------------------------------------------------------------------------------------------------------------------------------------------------------------------------------------------------------------------------------------------------------------|
| <b>Syntax</b>      | <b>[no] interface-group-handler</b> <i>group-id</i>                                                                                                                                                                                                                                                                                                                                                                             |
| <b>Context</b>     | config                                                                                                                                                                                                                                                                                                                                                                                                                          |
| <b>Description</b> | <p>This command creates an interface group handler that can be associated with a number of independent IP links. The purpose of the group is to operationally disable all interfaces in a common group if the number of active links drops below the minimum interface threshold.</p> <p>The <b>no</b> form of this command deletes the interface group handler. All members must be removed before the IGH can be deleted.</p> |
| <b>Default</b>     | None                                                                                                                                                                                                                                                                                                                                                                                                                            |
| <b>Parameters</b>  | <i>group-id</i> — Identifies the specific Interface Group Handler.                                                                                                                                                                                                                                                                                                                                                              |
| <b>Values</b>      | 1—100                                                                                                                                                                                                                                                                                                                                                                                                                           |

### member

|                    |                                                                                                                                                                                                                                                                                                                                                                                                                                                                                                                                                                                              |
|--------------------|----------------------------------------------------------------------------------------------------------------------------------------------------------------------------------------------------------------------------------------------------------------------------------------------------------------------------------------------------------------------------------------------------------------------------------------------------------------------------------------------------------------------------------------------------------------------------------------------|
| <b>Syntax</b>      | <b>[no] member</b> <i>portid</i>                                                                                                                                                                                                                                                                                                                                                                                                                                                                                                                                                             |
| <b>Context</b>     | config>interface-group-handler                                                                                                                                                                                                                                                                                                                                                                                                                                                                                                                                                               |
| <b>Description</b> | <p>This command binds the specified port with the associate Interface Group Handler. Up to eight <b>member</b> commands can be issued to add multiple ports to the associated IGH. The <b>member</b> must be a port or channel on a SONET or POS MDA. It must be a physical port or channel in network mode, and not bound to any router interfaces. A port or channel cannot be a member of more than one IGH at the same time. MLPPP bundles and their members cannot be IGH members.</p> <p>The <b>no</b> form of this command removes the specified port ID from the associated IGH.</p> |
| <b>Default</b>     | None                                                                                                                                                                                                                                                                                                                                                                                                                                                                                                                                                                                         |
| <b>Parameters</b>  | <i>portid</i> — Identifies the port to be associated with the interface group handler.                                                                                                                                                                                                                                                                                                                                                                                                                                                                                                       |

### threshold

|                    |                                                                                                                                                                                                                |
|--------------------|----------------------------------------------------------------------------------------------------------------------------------------------------------------------------------------------------------------|
| <b>Syntax</b>      | <b>threshold</b> <i>min</i><br><b>no threshold</b>                                                                                                                                                             |
| <b>Context</b>     | config>interface-group-handler                                                                                                                                                                                 |
| <b>Description</b> | This command identifies the minimum number of active links that must be present for the interface group handler to be active. A threshold of 1 effectively disables the effect of the interface group handler. |

## Interface Group Handler Commands

The **no** form of this command resets the threshold to 1. Note: For APS configurations, if the ber-sd or ber-sf threshold rates must be modified, the changes must be performed at the line level on both the working and protect APS port member.

**Default**      None

**Parameters**    *min* — Specifies the minimum number of active links that must be present for the interface group handler to be active.

**Values**        1 — 8

---

## Multilink-Bundle Port Commands

### multilink-bundle

|                    |                                                                                       |
|--------------------|---------------------------------------------------------------------------------------|
| <b>Syntax</b>      | <b>[no] multilink-bundle</b>                                                          |
| <b>Context</b>     | config>port                                                                           |
| <b>Description</b> | This command creates the context to configure bundle properties for this bundle port. |
| <b>Default</b>     | None                                                                                  |

### fragment-threshold

|                    |                                                                                                                                                                                                                                                                                                                                                                                                                                                                                                                                                                           |
|--------------------|---------------------------------------------------------------------------------------------------------------------------------------------------------------------------------------------------------------------------------------------------------------------------------------------------------------------------------------------------------------------------------------------------------------------------------------------------------------------------------------------------------------------------------------------------------------------------|
| <b>Syntax</b>      | <b>fragment-threshold</b> <i>fragment-threshold</i><br><b>fragment-threshold unlimited</b><br><b>no fragment-threshold</b>                                                                                                                                                                                                                                                                                                                                                                                                                                                |
| <b>Context</b>     | config>port>multilink-bundle                                                                                                                                                                                                                                                                                                                                                                                                                                                                                                                                              |
| <b>Description</b> | This command sets the maximum length in bytes of a fragment transmitted across a multilink bundle.<br>The <b>no</b> form of this command resets the fragment threshold back to the default value.                                                                                                                                                                                                                                                                                                                                                                         |
| <b>Default</b>     | 128                                                                                                                                                                                                                                                                                                                                                                                                                                                                                                                                                                       |
| <b>Parameters</b>  | <i>fragment-threshold</i> — Specify the maximum fragment length, in bytes, to be transmitted across a multilink bundle. Note that the value range is dependent on the MDA type. For example: channelized MDAs, such as the m1-choc12-sfp, m4-choc3-sfp, m12-chds3, and m4-chds3, support values of 128, 256, 512; ASAP channelized MDAs support any value in the valid range.<br><br><b>Values</b> 128 — 512 bytes inclusive for MLPPP and MLFR bundles<br>128 bytes for IMA bundles<br><br><b>unlimited</b> — This keyword disables fragmentation (MLPPP and MLFR only). |

### interleave-fragments

|                    |                                                                                                                                                                                               |
|--------------------|-----------------------------------------------------------------------------------------------------------------------------------------------------------------------------------------------|
| <b>Syntax</b>      | <b>[no] interleave-fragments</b>                                                                                                                                                              |
| <b>Context</b>     | config>port>multilink-bundle                                                                                                                                                                  |
| <b>Description</b> | This command enables Link Fragmentation and Interleaving on the multilink bundle.<br>The <b>no</b> form of this command disables Link Fragmentation and Interleaving on the multilink bundle. |

## Multilink-Bundle Port Commands

### member

**Syntax** `[no] member port-id`

**Context** `config>port>multilink-bundle`

**Description** This command binds a channel group to a multilink bundle. For IMA and MLFR groups, this command binds a channel group filling up the entire DS-1 or E-1. For MLPPP groups, fractional (n x ds0) DS1 or E1 links are also allowed. However, fractional DS1 links and fractional E1 links may not be combined in the same multilink bundle. If a channel with a different number of timeslots than the primary-link member is added to the bundle, a warning will be provided.

The **no** form of this command removes the specified channel group from the multilink bundle.

**Default** None

**Parameters** *port-id* — Specifies the physical port ID.

**Syntax:** *slot/mda/port.channel*

### minimum-links

**Syntax** `minimum-links minimum-links`  
`no minimum-links`

**Context** `config>port>multilink-bundle`

**Description** This command sets the minimum number of links that must be active for the bundle to be active. If the number of active links drops below the configured minimum then the multilink bundle will transition to an operationally down state.

The **no** form of this command removes the minimum link limit.

**Default** 1

**Parameters** *minimum-link* — Specify the minimum link limit, expressed as an integer.

**Values** 1 — 8

### mlfr

**Syntax** `mlfr`

**Context** `config>port>multilink-bundle`

**Description** This command enables the context to configure a Multi-link Frame Relay (MLFR) bundle.

## identifier

|                    |                                                                                                                       |
|--------------------|-----------------------------------------------------------------------------------------------------------------------|
| <b>Syntax</b>      | <b>[no] identifier</b> <i>bundle-id-string</i>                                                                        |
| <b>Context</b>     | config>port>multilink-bundle>mlfr                                                                                     |
| <b>Description</b> | This command defines the identifier for the MLFR bundle. The <b>no</b> form of this command resets the value to null. |
| <b>Default</b>     | null                                                                                                                  |
| <b>Parameters</b>  | <i>bundle-id string</i> — Specifies the bundle ID string.                                                             |

## identifier

|                    |                                                                                                                                                      |
|--------------------|------------------------------------------------------------------------------------------------------------------------------------------------------|
| <b>Syntax</b>      | <b>[no] identifier</b> <i>frf16-link-id-string</i>                                                                                                   |
| <b>Context</b>     | config>port>tdm>channel-group>frame-relay                                                                                                            |
| <b>Description</b> | This command defines the identifier for a frame-relay link when used in an MLFR bundle. The <b>no</b> form of this command resets the value to null. |
| <b>Default</b>     | null                                                                                                                                                 |
| <b>Parameters</b>  | <i>frf16-link-id-string</i> — Specifies the bundle ID string.                                                                                        |

## ingress

|                    |                                                                                            |
|--------------------|--------------------------------------------------------------------------------------------|
| <b>Syntax</b>      | <b>ingress</b>                                                                             |
| <b>Context</b>     | config>port>multilink-bundle>mlfr                                                          |
| <b>Description</b> | This command enables the context to configure the ingress QoS profile for the MLFR bundle. |

## egress

|                    |                                                                                                                                                                                                                                                                                      |
|--------------------|--------------------------------------------------------------------------------------------------------------------------------------------------------------------------------------------------------------------------------------------------------------------------------------|
| <b>Syntax</b>      | <b>egress</b>                                                                                                                                                                                                                                                                        |
| <b>Context</b>     | config>port>multilink-bundle>mlfr<br>config>port>tdm>ds1>channel-group>frame-relay>frf-12<br>config>port>tdm>e1>channel-group>frame-relay>frf-12<br>config>port>tdm>ds3>frame-relay>frf-12<br>config>port>tdm>e3>frame-relay>frf-12<br>config>port>sonet-sdh>path>frame-relay>frf-12 |
| <b>Description</b> | This command enables the context to configure the egress QoS profile for an MLFR bundle or a Frame Relay port with FRF.12 UNI/NNI fragmentation enabled.                                                                                                                             |

### qos-profile

|                    |                                                                                                                                                                                                                                                                                                                                                                    |
|--------------------|--------------------------------------------------------------------------------------------------------------------------------------------------------------------------------------------------------------------------------------------------------------------------------------------------------------------------------------------------------------------|
| <b>Syntax</b>      | <b>qos-profile</b> <i>profile-id</i><br><b>no qos-profile</b>                                                                                                                                                                                                                                                                                                      |
| <b>Context</b>     | config>port>multilink-bundle>mlfr>ingress<br>config>port>multilink-bundle>mlfr>egress<br>config>port>tdm>channel-group>frame-relay>egress<br>config>port>sonet-sdh>path>frame-relay>egress                                                                                                                                                                         |
| <b>Description</b> | This command specifies the ingress or egress QoS profile to be used for the configuration of the ingress or egress QoS parameters of an MLFR bundle or a Frame Relay port with FRF.12 UNI/NNI fragmentation enabled. Note that qos-profile on ingress is only applicable to MLFR.<br><br>The no form of the command removes the parameters from the configuration. |
| <b>Parameters</b>  | <i>profile-id</i> — Specifies the profile number. The value can only be modified if the MLFR bundle or FR port is shut down.<br><br><b>Values</b> 1-128                                                                                                                                                                                                            |

### frame-relay

|                    |                                                     |
|--------------------|-----------------------------------------------------|
| <b>Syntax</b>      | <b>frame-relay</b>                                  |
| <b>Context</b>     | config>port>multilink-bundle>mlfr                   |
| <b>Description</b> | This command configures the Frame Relay parameters. |

### lmi-type

|                    |                                                                                                                                                                                                             |
|--------------------|-------------------------------------------------------------------------------------------------------------------------------------------------------------------------------------------------------------|
| <b>Syntax</b>      | <b>lmi-type</b> {ansi   itu   none   rev1}                                                                                                                                                                  |
| <b>Context</b>     | config>port>multi-link-bundle>mlfr>frame-relay                                                                                                                                                              |
| <b>Description</b> | This command configures the LMI type.                                                                                                                                                                       |
| <b>Parameters</b>  | <b>ansi</b> — Use ANSI T1.617 Annex D.<br><b>itu</b> — Use ITU-T Q933 Annex A.<br><b>none</b> — Disable Frame Relay LMI on the given bundle.<br><b>rev1</b> — Use the Rev 1 version of ANSI T1.617 Annex D. |



## mode

**Syntax** `mode {dce | dte | bidir}`

**Context** `config>port>multilink-bundle>mlfr>frame-relay`

**Description** This command configures the DCE/DTE mode of the Frame Relay interface.

**Parameters**

- dce** — Enables the DCE mode.
- dte** — Enables the DTE mode.
- bidir** — Enables the bidirectional mode for LMI types ANSI and ITU.

## n391dte

**Syntax** `n391dte intervals`  
`no n391dte`

**Context** `config>port>multilink-bundle>mlfr>frame-relay`

**Description** This command configures the number of DTE full status polling intervals for the LMI.

**Parameters** *intervals* — The number of exchanges to be done before requesting a full-status report. A value of 1 specifies to receive full-status messages only.

**Values** 1 — 255

## n392dce

**Syntax** `n392dce threshold`  
`no n392dce`

**Context** `config>port>multilink-bundle>mlfr>frame-relay`

**Description** This command configures the DCE error threshold for the LMI.

**Default** 3

**Parameters** *threshold* — Specify the number of errors that will place the bundle in an operationally down state.

**Values** 1 — 10

## Multilink-Bundle Port Commands

### n392dte

**Syntax**    **n392dte** *threshold*  
**no n392dte**

**Context**    config>port>multilink-bundle>mlfr>frame-relay

**Description**    This command configures the DTE error threshold for the LMI.

**Parameters**    *count* — Specify the number of errors that will place the bundle in an operationally down state.  
**Values**        1 — 10

### n393dce

**Syntax**    **n393dce** *count*  
**no n393dce**

**Context**    config>port>multilink-bundle>mlfr>frame-relay

**Description**    This command configures the DCE monitored event count for the LMI.

**Parameters**    *count* — Specify the diagnostic window used to verify link integrity on the DCE interface.  
**Values**        1 — 10

### n393dte

**Syntax**    **n393dte** *count*  
**no n393dte**

**Context**    config>port>multilink-bundle>mlfr>frame-relay

**Description**    This command configures the DTE monitored event count for the LMI.

**Parameters**    *count* — Specify the diagnostic window used to verify link integrity on the DTE interface.  
**Values**        1 — 10

### t391dte

**Syntax**    **t391dte** *keepalive*  
**no t391dte**

**Context**    config>port>multilink-bundle>mlfr>frame-relay

**Description**    This command configures the DTE keepalive timer value for the LMI.

**Parameters** *keepalive* — Specify the interval in seconds between status inquiries issued by the DTE.  
**Values** 5 — 30

## t392dce

**Syntax** **t392dce** *keepalive*  
**no t392dce**

**Context** config>port>multilink-bundle>mlfr>frame-relay

**Description** This command configures the DCE keepalive timer value for the LMI.

**Parameters** *keepalive* — Specify the expected interval in seconds between status inquiries issued by the DTE equipment.  
**Values** 5 — 30

## hello-timeout

**Syntax** **hello-timeout** *seconds*  
**no hello-timeout**

**Context** config>port>multilink-bundle<mlfr

**Description** This command specifies the value of the MLFR bundle T\_HELLO timer. The timer controls the rate that hello messages are sent. Following a period of T\_HELLO duration, a HELLO message is transmitted onto the bundle link.

Note that T\_HELLO timer is also used during the bundle link add process as an additional delay before resending an ADD\_LINK message to the peer bundle link when the peer bundle link does not answer as expected.

**Default** 10 seconds

**Parameters** *seconds* — [1-180 seconds]

## ack-timeout

**Syntax** **ack-timeout** *seconds*  
**no ack-timeout**

**Context** config>port>multilink-bundle>mlfr

**Description** This command specifies the value of the MLFR bundle T\_ACK timer.

This timer defines the maximum period to wait for a response to any message sent onto the bundle link before attempting to retransmit a message onto the bundle link.

**Default** 4 seconds

## Multilink-Bundle Port Commands

**Parameters**    *seconds* — [1-10 seconds]

### retry-limit

**Syntax**    **retry-limit** *integer*  
**no retry-limit**

**Context**    config>port>multilink-bundle>mlfr

**Description**    This command specifies the value of the MLFR bundle N\_RETRY counter.  
The counter specifies the number of times a retransmission onto a bundle link will be attempted before an error is declared and the appropriate action taken.

**Default**    2

**Parameters**    *integer* — Specifies the number of retransmission attempts.

**Values**    1 — 5

### frf.12

**Syntax**    **frf.12**

**Context**    config>port>tdm>ds1>channel-group>frame-relay  
config>port>tdm>e1>channel-group>frame-relay  
config>port>tdm>ds3>frame-relay  
config>port>tdm>e3>frame-relay  
config>port>sonet-sdh>path>frame-relay

**Description**    This command defines the context to configure the parameters of FRF.12 frame relay fragmentation.

### fragment-threshold

**Syntax**    **fragment-threshold** *fragment-threshold*  
**no fragment-threshold**

**Context**    config>port>tdm>ds1>channel-group>frame-relay>frf.12  
config>port>tdm>e1>channel-group>frame-relay>frf.12  
config>port>tdm>ds3>frame-relay>frf.12  
config>port>tdm>e3>frame-relay>frf.12  
config>port>sonet-sdh>path>frame-relay>frf.12

**Description**    This command sets the maximum length in bytes of a fragment transmitted across a frame relay port with the FRF.12 UNI/NNI fragmentation enabled.

The **no** form of this command resets the fragment threshold back to the default value.

**Default**    128

**Parameters** *fragment-threshold* — Specifies the maximum fragment length, in bytes, to be transmitted across the FRF.12 port.

**Values** 128-512 bytes

## mlppp

**Syntax** **mlppp**

**Context** config>port>ml-bundle

**Description** This command enables the context to configure multi-link PPP bundle attributes.

## egress

**Context** config>port>ml-bundle>mlppp

**Description** This command enables the context to configure egress MLPPP QoS profile parameters for the multilink bundle.

**Default** none

## ingress

**Context** config>port>ml-bundle>mlppp

**Description** This command enables the context to configure ingress MLPPP QoS profile parameters for the multilink bundle.

**Default** none

## qos-profile

**Syntax** **qos-profile** *profile-id*  
**no qos-profile**

**Context** config>port>ml-bundle>mlppp>egress

**Description** This command specifies the egress QoS profile to be used for the outgoing traffic over this MLPPP bundle. The **no** form of the command removes the parameters from the configuration.

*profile-id* — Specifies the egress QoS profile to be used for the outgoing traffic over this MLPPP bundle. The value can only be modified if the bundle is shutdown.

**Values** 1 — 128

## endpoint-discriminator

|                    |                                                                                                                                                                                                                                                                                                                                                                                                                                                                                                                                                                                                                                                                                                                                                                                                                                                               |               |                                      |                |                                                                                                                               |               |                       |
|--------------------|---------------------------------------------------------------------------------------------------------------------------------------------------------------------------------------------------------------------------------------------------------------------------------------------------------------------------------------------------------------------------------------------------------------------------------------------------------------------------------------------------------------------------------------------------------------------------------------------------------------------------------------------------------------------------------------------------------------------------------------------------------------------------------------------------------------------------------------------------------------|---------------|--------------------------------------|----------------|-------------------------------------------------------------------------------------------------------------------------------|---------------|-----------------------|
| <b>Syntax</b>      | <b>endpoint-discriminator class</b> { <b>ip-address</b>   <b>global-mac-address</b>   <b>null</b> } [ <b>discriminator-id</b> <i>discriminator-id</i> ]<br><b>no endpoint-discriminator</b>                                                                                                                                                                                                                                                                                                                                                                                                                                                                                                                                                                                                                                                                   |               |                                      |                |                                                                                                                               |               |                       |
| <b>Context</b>     | config>port>ml-bundle>mlppp                                                                                                                                                                                                                                                                                                                                                                                                                                                                                                                                                                                                                                                                                                                                                                                                                                   |               |                                      |                |                                                                                                                               |               |                       |
| <b>Description</b> | This command configures the endpoint-discriminator class and ID. The port must be shutdown to modify command parameters.<br><br>The <b>no</b> form of the command removes the parameters from the configuration.                                                                                                                                                                                                                                                                                                                                                                                                                                                                                                                                                                                                                                              |               |                                      |                |                                                                                                                               |               |                       |
| <b>Parameters</b>  | <b>class</b> — Specifies the Link Control Protocol endpoint discriminator class field type.<br><br><table border="0" style="margin-left: 20px;"> <tr> <td style="vertical-align: top;"><b>Values</b></td> <td>ip-address, global-mac-address, null</td> </tr> <tr> <td style="vertical-align: top;"><b>Default</b></td> <td>Bundle type      Default<br/>Physical MLPPP bundle   ieee802dot1GlobalMacAddress<br/>MLPPP bundle protection group   IP address</td> </tr> </table><br><b>discriminator-id</b> <i>discriminator-id</i> — Specifies the endpoint discriminator identifier value within the specified endpoint-discriminator class. The values below are only for the ip-address class.<br><br><table border="0" style="margin-left: 20px;"> <tr> <td style="vertical-align: top;"><b>Values</b></td> <td>Any valid IP address.</td> </tr> </table> | <b>Values</b> | ip-address, global-mac-address, null | <b>Default</b> | Bundle type      Default<br>Physical MLPPP bundle   ieee802dot1GlobalMacAddress<br>MLPPP bundle protection group   IP address | <b>Values</b> | Any valid IP address. |
| <b>Values</b>      | ip-address, global-mac-address, null                                                                                                                                                                                                                                                                                                                                                                                                                                                                                                                                                                                                                                                                                                                                                                                                                          |               |                                      |                |                                                                                                                               |               |                       |
| <b>Default</b>     | Bundle type      Default<br>Physical MLPPP bundle   ieee802dot1GlobalMacAddress<br>MLPPP bundle protection group   IP address                                                                                                                                                                                                                                                                                                                                                                                                                                                                                                                                                                                                                                                                                                                                 |               |                                      |                |                                                                                                                               |               |                       |
| <b>Values</b>      | Any valid IP address.                                                                                                                                                                                                                                                                                                                                                                                                                                                                                                                                                                                                                                                                                                                                                                                                                                         |               |                                      |                |                                                                                                                               |               |                       |

## qos-profile

|                    |                                                                                                                                                                                                                                                                                                                              |               |         |
|--------------------|------------------------------------------------------------------------------------------------------------------------------------------------------------------------------------------------------------------------------------------------------------------------------------------------------------------------------|---------------|---------|
| <b>Syntax</b>      | <b>qos-profile</b> <i>profile-id</i><br><b>no qos-profile</b>                                                                                                                                                                                                                                                                |               |         |
| <b>Context</b>     | config>port>ml-bundle>mlppp>ingress                                                                                                                                                                                                                                                                                          |               |         |
| <b>Description</b> | This command specifies the ingress QoS profile to be used for the incoming traffic over this MLPPP bundle.                                                                                                                                                                                                                   |               |         |
| <b>Parameters</b>  | <i>profile-id</i> — Specifies the ingress QoS profile to be used for the incoming traffic over this MLPPP bundle.<br>The value can only be modified if the bundle is shutdown.<br><br><table border="0" style="margin-left: 20px;"> <tr> <td style="vertical-align: top;"><b>Values</b></td> <td>1 — 128</td> </tr> </table> | <b>Values</b> | 1 — 128 |
| <b>Values</b>      | 1 — 128                                                                                                                                                                                                                                                                                                                      |               |         |

## magic-number

|                    |                                                                                                                                                                                                                                                                                                                                                                                                                                                                      |
|--------------------|----------------------------------------------------------------------------------------------------------------------------------------------------------------------------------------------------------------------------------------------------------------------------------------------------------------------------------------------------------------------------------------------------------------------------------------------------------------------|
| <b>Syntax</b>      | [ <b>no</b> ] <b>magic-number</b>                                                                                                                                                                                                                                                                                                                                                                                                                                    |
| <b>Context</b>     | config>port>ml-bundle>mlppp                                                                                                                                                                                                                                                                                                                                                                                                                                          |
| <b>Description</b> | This command allows loopback detection to be enabled and disabled for MLPPP bundles. It is disabled by default. When the magic number option is disabled, the magic number option will not be requested when a member is trying to bring up the LCP layer on a member link; if the remote peer requests this option, it will be rejected. When transmitting echo-requests a magic number of 0 is used. When responding to echo-requests a magic number of 0 is sent. |

The magic number option is sent to the remote peer during protocol negotiation. If this option is rejected by the remote peer, the router will bring the link up but will be unable to detect loopbacks since the router will always send a magic number of 0 in the echo messages. If this option is accepted by the remote peer, the router will send echo messages with randomly generated magic-numbers. If the SR receives a config-req with the same magic number that was sent out, the router will calculate a new magic number to use and send out another config-request. If the router is persistently seeing the randomly generated magic number in the received config-req, the router will declare a loopback.

The **no** form of the command disables the loopback detection.

**Default** no magic-number

## multiclass

**Syntax** **multiclass** *count*  
**no multiclass**

**Context** config>port>ml-bundle>multiclass

**Description** This command enables multi-class MLPPP as defined by RFC 2686, *The Multi-Class Extension to Multi-Link PPP*, on a MLPPP bundle (including MLPPP bundle protection groups) with 2, 3 or 4 classes. For multiclass MLPPP bundles with a non-zero count, the class index takes valid values from 0 to one less than the maximum number of classes inclusive. For example a 4-class MLPPP bundle has 4 classes with indices 0, 1, 2, and 3. A bundle must be shutdown with no links for this value to be changed.

Entries are created and deleted by the system depending on the number of classes being used by a given MLPPP bundle.

The **no** form of the command disables multi-class MLPPP.

**Default** 4

**Parameters** *count* — Specifies the number of classes in a MLPPP bundle.

**Values** 2 — 4

## stateless-aps-switchover

|                    |                                                                                                                                                                                                                                                                                                                                                                                                                                                                                                                                                                                                                                                                                                                           |
|--------------------|---------------------------------------------------------------------------------------------------------------------------------------------------------------------------------------------------------------------------------------------------------------------------------------------------------------------------------------------------------------------------------------------------------------------------------------------------------------------------------------------------------------------------------------------------------------------------------------------------------------------------------------------------------------------------------------------------------------------------|
| <b>Syntax</b>      | <b>[no] stateless-aps-switchover</b>                                                                                                                                                                                                                                                                                                                                                                                                                                                                                                                                                                                                                                                                                      |
| <b>Context</b>     | config>port>multilink-bundle> mlppp                                                                                                                                                                                                                                                                                                                                                                                                                                                                                                                                                                                                                                                                                       |
| <b>Description</b> | <p>This command specifies whether the bundle will perform a statefull or a stateless APS switchover. The value can be changed for APS bundle protection groups of type MLPPP.</p> <p>A stateless switchover implies that PPP is re-negotiated on each member link after the switchover. PPP negotiations may take a few seconds to complete.</p> <p>A statefull switchover implies that after an APS switchover the PPP state of the bundle will be restored based on the bpgp bundle state before the switchover.</p> <p>The state cannot be changed for normal MLPPP bundles (only applicable for bpgp). The following message appears:</p> <p>The <b>no</b> form of the command disables stateless APS switchover.</p> |
| <b>Default</b>     | disabled                                                                                                                                                                                                                                                                                                                                                                                                                                                                                                                                                                                                                                                                                                                  |

## mrru

|                    |                                                                                                                                                                                                                                                                                                                                                                                         |
|--------------------|-----------------------------------------------------------------------------------------------------------------------------------------------------------------------------------------------------------------------------------------------------------------------------------------------------------------------------------------------------------------------------------------|
| <b>Syntax</b>      | <b>mrru <i>mrru</i></b><br><b>no mrru</b>                                                                                                                                                                                                                                                                                                                                               |
| <b>Context</b>     | config>port>multilink-bundle                                                                                                                                                                                                                                                                                                                                                            |
| <b>Description</b> | <p>This command specifies the maximum received reconstructed unit (MRRU), similar to a maximum transmission unit (MTU), but applies only to MLPPP multilink bundles. The MRRU is the maximum frame size that can be reconstructed from multilink fragments. This command is only valid for MLPPP bundles.</p> <p>The <b>no</b> form of this command resets the MRRU to the default.</p> |
| <b>Default</b>     | 1524                                                                                                                                                                                                                                                                                                                                                                                    |
| <b>Parameters</b>  | <i>bytes</i> — Specify the maximum received reconstructed unit size, expressed as an integer.                                                                                                                                                                                                                                                                                           |
| <b>Values</b>      | 1500 — 9206 bytes                                                                                                                                                                                                                                                                                                                                                                       |

## protect-bundle

|                    |                                                                                                                                                |
|--------------------|------------------------------------------------------------------------------------------------------------------------------------------------|
| <b>Syntax</b>      | <b>[no] protect-bundle <i>bundle-id</i></b>                                                                                                    |
| <b>Context</b>     | config>port>multilink-bundle                                                                                                                   |
| <b>Description</b> | This command configures a protect bundle that is part of this BPGp.                                                                            |
| <b>Parameters</b>  | <i>bundle-id</i> — Specifies the protection multilink bundle in the bundle protection group. The command syntax must be configured as follows: |



**Syntax:** *bundle-type-slot/mda.bundle-num*  
**bundle-PPP or IMA-slot/mda.bundle-num** (Creates an MLPPP or IMA bundle.)  
**bundle:** keyword  
*slot:* IOM/MDA slot numbers  
*bundle-num:* 1 — 256

For example:  
 router1>config>port>ml-bundle> protect-bundle bundle-ima-1/1.1

## red-differential-delay

**Syntax** **red-differential-delay** *red-diff-delay* [**down**]  
**no red-differential-delay**

**Context** config>port>multilink-bundle

**Description** This command sets the maximum acceptable differential delay for individual links within a multilink bundle. The differential delay is calculated as the round-trip differential delay for MLPPP bundles, and as unidirectional differential delay for IMA bundles.

The **no** form of this command restores the red-differential-delay defaults.

**Default** None

**Parameters** *red-diff-delay* — Specify the maximum red differential delay value.

**Values** 0 — 25 milliseconds for all other bundles  
 0 — 50 milliseconds for IMA bundles

**down** — Transition the link that exceeded the differential delay to a down state (for example, remove it from the multilink bundle from an operational perspective).

## short-sequence

**Syntax** [**no**] **short-sequence**

**Context** config>port>multilink-bundle

**Description** This command specifies that the Multi-link Point to Point Protocol (MLPPP) bundle should use short (12 bit) sequence numbers instead of the default 24-bit sequence number. This command is only valid for MLPPP bundles.

The **no** form of this command disables the short-sequence feature.

**Default** no short-sequence

## working-bundle

|                    |                                                                                                                                                                                                                                                                                                                                                                                                                                                                           |
|--------------------|---------------------------------------------------------------------------------------------------------------------------------------------------------------------------------------------------------------------------------------------------------------------------------------------------------------------------------------------------------------------------------------------------------------------------------------------------------------------------|
| <b>Syntax</b>      | <b>[no] working-bundle</b> <i>bundle-id</i>                                                                                                                                                                                                                                                                                                                                                                                                                               |
| <b>Context</b>     | config>port>multilink-bundle                                                                                                                                                                                                                                                                                                                                                                                                                                              |
| <b>Description</b> | This command configures a working bundle that is part of this BPGp.                                                                                                                                                                                                                                                                                                                                                                                                       |
| <b>Parameters</b>  | <i>bundle-id</i> — Specifies the working multilink bundle in the bundle protection group. The command syntax must be configured as follows:<br><b>Syntax:</b> <i>bundle-type-slot/mda.bundle-num</i><br><b>bundle-PPP or IMA-slot/mda.bundle-num</b> (Creates an MLPPP or IMA bundle.)<br><b>bundle:</b> keyword<br><b>slot:</b> IOM/MDA slot numbers<br><b>bundle-num:</b> 1 — 256<br><br>For example:<br>router1>config>port>ml-bundle> working-bundle bundle-ima-1/1.1 |

## yellow-differential-delay

|                    |                                                                                                                                                                                                                                                                                                                                                                                                                                                                                                                         |
|--------------------|-------------------------------------------------------------------------------------------------------------------------------------------------------------------------------------------------------------------------------------------------------------------------------------------------------------------------------------------------------------------------------------------------------------------------------------------------------------------------------------------------------------------------|
| <b>Syntax</b>      | <b>yellow-differential-delay</b> <i>yellow-diff-delay</i><br><b>no yellow-differential-delay</b>                                                                                                                                                                                                                                                                                                                                                                                                                        |
| <b>Context</b>     | config>port>multilink-bundle                                                                                                                                                                                                                                                                                                                                                                                                                                                                                            |
| <b>Description</b> | This command sets the yellow warning threshold for the differential delay for members within a multilink bundle. If circuit's delay exceeds the yellow-differential delay value, a log message and SNMP trap is sent. This command is only valid for MLPPP bundles. The differential delay is calculated as the round-trip differential delay for MLPPP bundles.<br><br>The no form of this command removes the yellow-differential-delay.<br>The <b>no</b> form of this command removes the yellow-differential-delay. |
| <b>Default</b>     | None                                                                                                                                                                                                                                                                                                                                                                                                                                                                                                                    |
| <b>Parameters</b>  | <i>yellow-diff-delay</i> — Specify the maximum yellow differential delay threshold value.<br><b>Values</b> 1— 25 milliseconds                                                                                                                                                                                                                                                                                                                                                                                           |

## ima

|                    |                                                                                                                                                                                                                                                                                                                     |
|--------------------|---------------------------------------------------------------------------------------------------------------------------------------------------------------------------------------------------------------------------------------------------------------------------------------------------------------------|
| <b>Syntax</b>      | <b>ima</b>                                                                                                                                                                                                                                                                                                          |
| <b>Context</b>     | config>port>multilink-bundle                                                                                                                                                                                                                                                                                        |
| <b>Description</b> | This command enables the context to configure parameters for an Inverse Multiplexing over ATM (IMA) group. An IMA group is a collection of physical links bundled together and assigned to an ATM interface. IMA enables a high-speed channel that is composed of ATM cells to be transported as a number of lower- |

speed circuits. Then they are reassembled as the original high-speed ATM channel. This command is only valid for IMA bundles.

## link-delay

**Syntax** **link-delay** {**activate** | **deactivate**} *milli-seconds*  
**no link-delay** {**activate** | **deactivate**}

**Context** config>port>multilink-bundle>ima

**Description** This command specifies the time to delay between detection of a link activation/deactivation condition and acting upon it (going in/out of the RX failure state on a link).

**Parameters** **activate** *milli-seconds* — Specifies the time, in milli-seconds, used to clear an existing LIF or LODS alarm. The time specified determines how long is needed for member links to stabilize before being activated.

**Values** 1 — 30000 milli-seconds

**Default** 10000

**deactivate** *milli-seconds* — Specifies the time, in milli-seconds, used to raise an LIF or LODS alarm. The time specified determines how long before a member link is declared in error and is deactivated.

**Values** 1 — 30000 milli-seconds

**Default** 2000

## max-bandwidth

**Syntax** **max-bandwidth** *number-links*  
**no max-bandwidth**

**Context** config>port>ml-bundle>ima

**Description** This command specifies the number of links that is used to determine the maximum configurable bandwidth that is allowed to be used for this IMA group.

The maximum bandwidth is computed as:

Maximum Configurable ATM Bandwidth (MCAB) =

(number-links) \* (M-1)/M \* (2048/2049) \* primary member link speed

where,

M is the IMA frame size (128)

primary member link speed is either E-1 — 1920kbps or DS-1 — 1539kbps. E-1 speed is used for a group with no members.

The total ATM bandwidth of services over shaped VCs cannot exceed the MCAB value as result of adding more services or removing member links.

The **no** form of the command resets the max-bandwidth to its default value

## Multilink-Bundle Port Commands

**Default** 8

**Parameters** *number-links* — Specifies the number of links that is used to determine the maximum configurable bandwidth that is allowed to be used for this IMA group.

**Values** 1 — 8

### test-pattern-procedure

**Syntax** **test-pattern-procedure**

**Context** config>port>ml-bundle>ima

**Description** This command enables the context to configure IMA test pattern procedures. Note that this command and sub-commands are not saved in the router configuration between reboots.

### test-link

**Syntax** **test-link** *port-id*  
**no test-link**

**Context** config>port>ml-bundle>ima>test-pattern-procedure

**Description** This command specifies IMA members on which an IMA test pattern procedure is to be performed. The **no** form of this command deletes the link from test-pattern procedure. The test-pattern procedure must be shutdown first.

**Default** no test-link

**Parameters** *port-id* — The port ID to be used to verify link connectivity within an IMA group.

**Values**

|          |                         |
|----------|-------------------------|
| port-id  | slot/mda/port[.channel] |
| aps-id   | aps-group-id[.channel]  |
| aps      | keyword                 |
| group-id | 1 — 64                  |

### test-pattern

**Syntax** **test-pattern** *pattern*  
**no test-pattern**

**Context** config>port>ml-bundle>ima>test-pattern-procedure

**Description** This command specifies the transmit test pattern in an IMA group loopback operation. This value can only be changed when the **test-pattern-procedure** command is shut down. The **no** form of this command restores the test-pattern to the default.

**Default** 0

**Parameters** *pattern* — Specifies an integer taking the following values:

**Values** 0 — 255

## shutdown

**Syntax** **[no] shutdown**

**Context** config>port>ml-bundle>ima>test-pattern-procedure

**Description** This command enables a configured IMA test pattern procedure.  
The **no** form of this command disables the IMA test pattern procedure.

## version

**Syntax** **version** *IMA-version*  
**no version**

**Context** config>port>ml-bundle>ima>

**Description** This command configures the IMA version for the multilink bundle group. If there is a version mismatch between this IMA group and the far end IMA group, the IMA group will become operationally down. Automatic version changing is not supported. To change the IMA version, all member links must be removed from the group first.

**Default** 1-1

**Parameters** *IMA-version* — Specifies the IMA version for this group.

**Values** 1-0 — IMA version 1-0  
1-1 — IMA version 1-1

---

## SONET/SDH Port Commands

### sonet-sdh

**Syntax** `sonet-sdh`

**Context** `config>port`

**Description** This command enables access to the context to configure SONET/SDH ports. This context can only be used when configuring an OC-3, OC-12, OC-48, OC-192, and OC-768 SONET/SDH ports on an appropriate MDA.

The 10 Gigabit Ethernet LAN port also has SONET/SDH characteristics. However, these characteristics are predetermined and not configurable.

### clock-source

**Syntax** `clock-source {loop-timed | node-timed}`

**Context** `config>port>sonet-sdh`

**Description** This command configures the clock to be used for transmission of data out towards the line. The options are to use the locally recovered clock from the line's receive data stream or the node central reference.

Note: When changing the clock source for a port on an OC-48 MDA, a brief transmit interruption can occur on all ports of that MDA. Note that all SONET/SDH MDAs/CMAs support loop timing. The following table show MDAs that support loop timing:

| Sonet/SDH              | Loop Timed | Default    |
|------------------------|------------|------------|
| OC-768                 | Yes        | node-timed |
| OC-192                 | Yes        | loop-timed |
| OC-48                  | Yes        | loop-timed |
| OC-12                  | No         | node-timed |
| OC-3                   | No         | node-timed |
| Channelized OC-12      | Yes        | loop-timed |
| Channelized OC-3       | Yes        | loop-timed |
| Channelized ASAP OC-12 | Yes        | loop-timed |
| Channelized ASAP OC-3  | Yes        | loop-timed |
| CES OC-3               | Yes        | loop-timed |
| ATM OC-12              | No         | node-timed |
| ATM OC-3               | No         | node-timed |

- Parameters **loop-timed** — The link recovers the clock from the received data stream.  
**node-timed** — The link uses the internal clock when transmitting data.

## framing

- Syntax** **framing** {**sonet** | **sdh**}
- Context** config>port>sonet-sdh
- Description** This command specifies SONET/SDH framing to be either SONET or SDH.
- Default** sonet
- Parameters** **sonet** — Configures the port for SONET framing.  
**sdh** — Configures the port for SDH framing.

## group

- Syntax** **group** *sonet-sdh-index* **payload** {**tu3** | **vt2** | **vt15**}
- Context** config>port>sonet-sdh
- Description** This command configures payload of the SONET/SDH group.  
 For example:  
 config>port>sonet-sdh#  
     group tug3-1.1 payload tu3  
     group tug3-1.2 payload vt2  
     group tug3-1.3 payload vt2  
     group tug3-2.1 payload vt15  
     group tug3-2.2 payload vt15  
     group tug3-2.3 payload tu3  
     group tug3-3.1 payload tu3  
     group tug3-3.2 payload tu3  
     group tug3-3.3 payload tu3
- Default** none
- Parameters** *sonet-sdh-index* — Specifies the components making up the specified SONET/SDH path. Depending on the type of SONET/SDH port the *sonet-sdh-index* must specify more path indexes to specify the payload location of the path.  
**tu3** — Specify the Tributary Unit Group (TUG3) on a path. Configures the port or channel for transport network use.  
**vt2** — Configures the path as a virtual tributary group of type vt2.  
**vt15** — Configures the path as a virtual tributary group of type vt15.

## hold-time

|                    |                                                                                                                                                                                                                                                                                                                                                                                                                                                                                                                                                                                                                                                                                                                                                                                                                                                                                                                 |
|--------------------|-----------------------------------------------------------------------------------------------------------------------------------------------------------------------------------------------------------------------------------------------------------------------------------------------------------------------------------------------------------------------------------------------------------------------------------------------------------------------------------------------------------------------------------------------------------------------------------------------------------------------------------------------------------------------------------------------------------------------------------------------------------------------------------------------------------------------------------------------------------------------------------------------------------------|
| <b>Syntax</b>      | <b>hold-time</b> <i>hold-time</i> {[ <b>up</b> <i>hold-time up</i> ] [ <b>down</b> <i>hold-time down</i> ]}<br><b>no hold-time</b>                                                                                                                                                                                                                                                                                                                                                                                                                                                                                                                                                                                                                                                                                                                                                                              |
| <b>Context</b>     | config>port>sonet-sdh                                                                                                                                                                                                                                                                                                                                                                                                                                                                                                                                                                                                                                                                                                                                                                                                                                                                                           |
| <b>Description</b> | This command configures SONET link dampening timers in 100s of milliseconds. This guards against reporting excessive interface transitions. This is implemented by not advertising subsequent transitions of the interface to upper layer protocols until the configured timer has expired.                                                                                                                                                                                                                                                                                                                                                                                                                                                                                                                                                                                                                     |
| <b>Default</b>     | no hold-time                                                                                                                                                                                                                                                                                                                                                                                                                                                                                                                                                                                                                                                                                                                                                                                                                                                                                                    |
| <b>Parameters</b>  | <b>up</b> <i>hold-time up</i> — Configures the hold-timer for link up event dampening. A value of zero (0) indicates that an up transition is reported immediately.<br><b>Values</b> 0 — 100 in 100s of milliseconds<br><b>down</b> <i>hold-time down</i> — The hold-timer for link down event dampening. A value of zero (0) indicates that a down transition is reported immediately.<br><b>Values</b> 0 — 100 in 100s of milliseconds<br><br>Note: For APS configurations, the <b>hold-time down</b> and <b>up</b> default values are 100 ms and 500 ms respectively. But, if there is a large communication delay (time to exchange K1/K2 bytes) between the APS Controllers of the two endpoints of an APS link, it is highly suggested to increase the default hold-time down timer on the APS group port accordingly with the communication delay. See <a href="#">aps</a> on <a href="#">page 352</a> . |

## loopback

|                    |                                                                                                                                                                                                                                                                                                                                    |
|--------------------|------------------------------------------------------------------------------------------------------------------------------------------------------------------------------------------------------------------------------------------------------------------------------------------------------------------------------------|
| <b>Syntax</b>      | <b>loopback</b> { <b>line</b>   <b>internal</b> }<br><b>no loopback</b>                                                                                                                                                                                                                                                            |
| <b>Context</b>     | config>port>sonet-sdh                                                                                                                                                                                                                                                                                                              |
| <b>Description</b> | This command activates a loopback on the SONET/SDH port.<br><br>The SONET port must be in a shut down state to activate any type of loopback. The loopback setting is never saved to the generated/saved configuration file.<br><br>Note that loopback mode changes on a SONET/SDH port can affect traffic on the remaining ports. |
| <b>Default</b>     | no loopback                                                                                                                                                                                                                                                                                                                        |
| <b>Parameters</b>  | <b>line</b> — Set the port into line loopback state.<br><b>internal</b> — Set the port into internal loopback state.                                                                                                                                                                                                               |



## report-alarm

**Syntax** [no] report-alarm [loc] [lais] [lrdi] [ss1f] [lb2er-sd] [lb2er-sf] [slof] [slos] [lrei]

**Context** config>port>sonet-sdh

**Description** This command enables logging of SONET (SDH) line and section alarms for a SONET-SDH port. Only line and section alarms can be configured in the SONET/SDH context, for path alarms see the **sonet-sdh>path** context.

The **no** form of this command disables logging of the specified alarms

**Parameters** **loc** — Reports a loss of clock which causes the operational state of the port to be shut down.

**Default** **loc** alarms are issued.

**lais** — Reports line alarm indication signal errors. When configured, **lais** alarms are raised and cleared.

**Default** **lais** alarms are not issued.

**lrdi** — Reports line remote defect indication errors. LRDI's are caused by remote LOF, LOC, LOS. When configured, **lrdi** alarms are raised and cleared.

**Default** **lrdi** alarms are issued.

**ss1f** — Reports section synchronization failure which is detected when the S1 byte is not consistent for 8 consecutive frames. When configured, **ss1f** alarms are raised and cleared.

**Default** **ss1f** alarms are not issued.

**lb2er-sd** — Reports line signal degradation BER (bit interleaved parity) errors. Use the threshold command to set the error rate(s) that when crossed determine signal degradation and signal failure. When configured, **lb2er-sd** alarms are raised and cleared.

**Default** **lb2er-sd** alarms are not issued.

**lb2er-sf** — Reports line signal failure BER errors. Use the threshold command to set the error rate(s) that when crossed determine signal degradation and signal failure. When configured, **lb2er-sf** alarms are raised and cleared.

**Default** **lb2er-sf** alarms are issued.

**slof** — Reports section loss of frame errors. When configured, **slof** alarms are raised and cleared.

**Default** **slof** alarms are issued.

**slos** — Reports a section loss of signal error on the transmit side. When configured, **slos** alarms are raised and cleared.

**Default** **slos** alarms are issued.

**lrei** — Reports a line error condition raised by the remote as a result of b1 errors received from this node. When configured, **lrei** traps are raised but not cleared

**Default** **lrei** traps are not issued.

## section-trace

|                    |                                                                                                                                                                                                                                                                                                                                                                                                                                                              |                |     |               |                        |               |                          |
|--------------------|--------------------------------------------------------------------------------------------------------------------------------------------------------------------------------------------------------------------------------------------------------------------------------------------------------------------------------------------------------------------------------------------------------------------------------------------------------------|----------------|-----|---------------|------------------------|---------------|--------------------------|
| <b>Syntax</b>      | <b>section-trace</b> { <b>increment-z0</b>   <b>byte</b> <i>value</i>   <b>string</b> <i>string</i> }                                                                                                                                                                                                                                                                                                                                                        |                |     |               |                        |               |                          |
| <b>Context</b>     | config>port>sonet-sdh                                                                                                                                                                                                                                                                                                                                                                                                                                        |                |     |               |                        |               |                          |
| <b>Description</b> | This command configures the section trace bytes in the SONET section header to interoperate with some older versions of ADMs or regenerators that require an incrementing STM ID. You can explicitly configure an incrementing STM value rather than a static one in the SDH overhead by specifying the <i>z0</i> -increment.                                                                                                                                |                |     |               |                        |               |                          |
| <b>Default</b>     | byte <i>0x1</i>                                                                                                                                                                                                                                                                                                                                                                                                                                              |                |     |               |                        |               |                          |
| <b>Parameters</b>  | <i>increment-z0</i> — Configure an incrementing STM ID instead of a static value.<br><b>byte</b> <i>value</i> — Set values in SONET header bytes. <table> <tr> <td><b>Default</b></td> <td>0x1</td> </tr> <tr> <td><b>Values</b></td> <td>0 — 255 or 0x00 — 0xFF</td> </tr> </table> <b>string</b> <i>string</i> — Specifies a text string that identifies the section. <table> <tr> <td><b>Values</b></td> <td>A string up to 16 bytes.</td> </tr> </table> | <b>Default</b> | 0x1 | <b>Values</b> | 0 — 255 or 0x00 — 0xFF | <b>Values</b> | A string up to 16 bytes. |
| <b>Default</b>     | 0x1                                                                                                                                                                                                                                                                                                                                                                                                                                                          |                |     |               |                        |               |                          |
| <b>Values</b>      | 0 — 255 or 0x00 — 0xFF                                                                                                                                                                                                                                                                                                                                                                                                                                       |                |     |               |                        |               |                          |
| <b>Values</b>      | A string up to 16 bytes.                                                                                                                                                                                                                                                                                                                                                                                                                                     |                |     |               |                        |               |                          |

## speed

|                    |                                                                                                                                                                                                                                                                                                                                                                                                                                                                                                                                                                                                                                  |
|--------------------|----------------------------------------------------------------------------------------------------------------------------------------------------------------------------------------------------------------------------------------------------------------------------------------------------------------------------------------------------------------------------------------------------------------------------------------------------------------------------------------------------------------------------------------------------------------------------------------------------------------------------------|
| <b>Syntax</b>      | <b>speed</b> { <b>oc3</b>   <b>oc12</b> }<br><b>no speed</b>                                                                                                                                                                                                                                                                                                                                                                                                                                                                                                                                                                     |
| <b>Context</b>     | config>port>sonet-sdh                                                                                                                                                                                                                                                                                                                                                                                                                                                                                                                                                                                                            |
| <b>Description</b> | This command configures the speed of a SONET/SDH port as either OC3 or OC12. The framer for this MDA operates in groups of four. Changing the port speed for a port requires resetting the framer and causes a slight disruption on all four ports. The first framer controls ports 1,2,3,4, the second framer controls ports 5,6,7,8 etc.<br><br>To change the port speed on a SONET/SDH port, the port must be administratively shut down and all channels must be removed. When the port speed is changed, the default channel configuration is recreated.<br><br>The <b>no</b> form of this command reverts back to default. |
| <b>Default</b>     | oc12                                                                                                                                                                                                                                                                                                                                                                                                                                                                                                                                                                                                                             |
| <b>Parameters</b>  | <b>oc3</b> — set the speed of the port to OC-3.<br><b>oc12</b> — Set the speed of the port to OC-12.                                                                                                                                                                                                                                                                                                                                                                                                                                                                                                                             |

## suppress-lo-alarm

|                    |                                                                                                                                                                                                                                                                         |
|--------------------|-------------------------------------------------------------------------------------------------------------------------------------------------------------------------------------------------------------------------------------------------------------------------|
| <b>Syntax</b>      | <b>[no] suppress-lo-alarm</b>                                                                                                                                                                                                                                           |
| <b>Context</b>     | config>port>sonet-sdh                                                                                                                                                                                                                                                   |
| <b>Description</b> | This command enables the suppression of lower order alarms on SONET/SDH port such as MLPPP bundle alarms, DS1/E1 links alarms and 336 APS channel groups alarms.<br>The <b>no</b> form of the command disables the suppression of lower order alarms on SONET/SDH port. |

## tx-dus

|                    |                                                                                                                                                                                                                                                         |
|--------------------|---------------------------------------------------------------------------------------------------------------------------------------------------------------------------------------------------------------------------------------------------------|
| <b>Syntax</b>      | <b>[no] tx-dus</b>                                                                                                                                                                                                                                      |
| <b>Context</b>     | config>port>ethernet>ssm<br>config>port>sonet-sdh                                                                                                                                                                                                       |
| <b>Description</b> | This command forces the QL value transmitted from the SSM channel of the SONET/SDH port or the Synchronous Ethernet port to be set to QL-DUS/QL-DNU. This capability is provided to block the use of the interface from the SR/ESS for timing purposes. |
| <b>Default</b>     | no tx-dus                                                                                                                                                                                                                                               |

## threshold

|                    |                                                                                                                                                                                                                                                                                                                                                                                                                                                                                                                                                                                                                                                                                                                                                |
|--------------------|------------------------------------------------------------------------------------------------------------------------------------------------------------------------------------------------------------------------------------------------------------------------------------------------------------------------------------------------------------------------------------------------------------------------------------------------------------------------------------------------------------------------------------------------------------------------------------------------------------------------------------------------------------------------------------------------------------------------------------------------|
| <b>Syntax</b>      | <b>threshold {ber-sd   ber-sf} rate <i>threshold-rate</i></b><br><b>no threshold {ber-sd   ber-sf}</b>                                                                                                                                                                                                                                                                                                                                                                                                                                                                                                                                                                                                                                         |
| <b>Context</b>     | config>port>sonet-sdh                                                                                                                                                                                                                                                                                                                                                                                                                                                                                                                                                                                                                                                                                                                          |
| <b>Description</b> | This command configures the line signal degradation bit error rate (BER) and line signal failure thresholds. Line signal (b2) bit interleaved parity error rates are measured and when they cross either the degradation or failure thresholds alarms are raised (see the report-alarm line & section command), furthermore if the failure threshold is crossed the link will be set to operationally down.<br><b>Note:</b> For APS configurations, if the <b>ber-sd</b> or <b>ber-sf</b> threshold rates must be modified, the changes must be performed at the line level on both the working and protect APS port member. See port <a href="#">aps-id on page 312</a> .<br>The <b>no</b> form of this command reverts to the default value. |
| <b>Default</b>     | <b>threshold ber-sf 6</b> — Signal degrade BER threshold of $10^{-6}$<br><b>threshold ber-sf 3</b> — Signal failure BER threshold of $10^{-3}$                                                                                                                                                                                                                                                                                                                                                                                                                                                                                                                                                                                                 |
| <b>Parameters</b>  | <b>ber-sd</b> — Specifies the BER that specifies signal degradation<br><b>ber-sf</b> — Specifies the BER that specifies signal failure                                                                                                                                                                                                                                                                                                                                                                                                                                                                                                                                                                                                         |

## SONET/SDH Port Commands

*rate* — The BER negative exponent (n in  $10^{-n}$ ), expressed as a decimal integer.

**Values** 3 — 9 ( $10^{-3}$  —  $10^{-9}$ )

---

## SONET/SDH Path Commands

### path

**Syntax** [no] path [*sonet-sdh-index*]

**Context** config>port>sonet-sdh

**Description** This command defines the SONET/SDH path.  
The **no** form of this command removes the specified SONET/SDH path.

**Default** full channel (or clear channel)

**Parameters** *sonet-sdh-index* — Specifies the components making up the specified SONET/SDH path. Depending on the type of SONET/SDH port the *sonet-sdh-index* must specify more path indexes to specify the payload location of the path. The *sonet-sdh-index* differs for SONET and SDH ports.

**Syntax:** sts1-x.x

|        | SONET        |        | SDH          |  |
|--------|--------------|--------|--------------|--|
| OC-192 | STS-48-index | STM-64 | AUG-16-index |  |
|        | STS-12-index |        | AUG-4-index  |  |
|        | STS-3-index  |        | AUG-1-index  |  |
|        | STS-1-index  |        | AU-3-index   |  |
| OC-48  | STS-12-index | STM-16 | AUG-4-index  |  |
|        | STS-3-index  |        | AUG-1-index  |  |
|        | STS-1-index  |        | AU-3-index   |  |
| OC-12  | STS-3-index  | STM-4  | AUG-1-index  |  |
|        | STS-1-index  |        | AU-3-index   |  |
| OC-3   | STS-1-index  | STM-1  | AU-3-index   |  |

In addition the support of virtual tributary circuits adds an additional level of complexity and several addition levels of indexes.

### payload

**Syntax** payload {sts3 | tug3 | ds3 | e3}

**Context** config>port>sonet-sdh>path

**Description** This command specifies if the associated SONET/SDH path is an asynchronous circuit or a virtual tributary group (VT). This command is only applicable to channelized MDAs.

## SONET/SDH Path Commands

**Default** none

**Parameters**

- sts3** — Configures STS3/STM1 payload as clear channel.
- tu3** — Configures STS3/STM1 payload as Tributary Unit Group 3 (TUG3).
- ds3** — Configures the port or channel as DS-3 STS1/VC3 payload as DS-3.
- e3** — Configures the port or channel as E-3 STS1/VC3 payload as E-3.
- vt2** — Configures the path STS1 payload as vt2 as a virtual tributary group. Only allowed on STS-1 nodes. (SONET VT container)
- vt15** — Configures the path as a virtual tributary group. Only allowed on STS-1 nodes. (SONET VT container)
- ds1** — Configures the port or channel as DS1.vt15 or vt2 payload as DS-1
- e1** — Configures VT2 payload as E-1.

## report-alarm

**Syntax** [no] report-alarms [pais] [plop] [prdi] [pplm] [prei] [puneq] [plcd]

**Context** config>port>sonet-sdh>path

**Description** This command enables logging of SONET (SDH) path alarms for a SONET-SDH port. Only path alarms can be configured in the channel context.

The **no** form of this command disables logging of the specified alarms.

**Parameters** **pais** — Reports path alarm indication signal errors. When configured, **pais** alarms are raised and cleared.

**Default** **pais** alarms are not issued

**plop** — Reports path loss of pointer (per tributary) errors. When configured, **plop** traps are raised but not cleared.

**Default** **plop** traps are issued

**prdi** — Reports path remote defect indication errors. When configured, **prdi** alarms are raised and cleared.

**Default** **prdi** alarms are not issued

**pplm** — Reports a path payload mismatch, as a result the channel will be operationally downed. When configured, **pplm** traps are raised but not cleared.

**Default** **pplm** traps are issued

**prei** — Reports a path error condition raised by the remote as a result of b3 errors received from this node. When configured, **prei** traps are raised but not cleared.

**Default** **prei** traps are not issued

**puneq** — Reports path unequipped errors. Reports path unequipped signal errors.

**Default** **puneq** traps are issued

**plcd** — Reports path loss of codegroup delineation errors. It is applicable only when the value of xgig is set

to WAN.

**Default** `plcd` traps are not issued

## crc

**Syntax** `crc {16 | 32}`

**Context** `config>port>sonet-sdh>path`

**Description** A 16 bit CRC can only be configured on an OC-3 channel, all other channel speeds must use a 32 bit CRC except for the paths configured with `encap-type atm` at OC3 speed.

**Default** 16 for OC-3, DS-1, DS-3  
32 for OC-12, OC-48, ATM-OC12/3, ATMOC-3, etc.

Note: The CRC default is 32 when the `encap-type` is set to ATM and also, the default cannot be changed when the `encap-type` is set to ATM.

**Parameters** **16** — Use 16 bit checksum for the associated port/channel.

**32** — Use 32 bit checksum for the associated port/channel.

## encap-type

**Syntax** `encap-type {atm | bcp-null | bcp-dot1q | ipcp | ppp-auto | frame-relay | wan-mirror | cisco-hdlc}`

**Context** `config>port>sonet-sdh>path`

**Description** This command configures the encapsulation method used to distinguish customer traffic on an access SONET/SDH channel sub-port.

When the **encap-type** is set to ATM the CRC default cannot be changed.

When the **encap-type** is ATM, ATM sub-layer verification (GR-1248-CORE, *Generic Requirements for Operations of ATM Network Elements (NEs)*) is automatically enabled. The result of the verification includes:

- Out of Cell Delineation (OCD) event count. The OCD event count is described in RFC 2515, *Definitions of Managed Objects for ATM Management*. Note that multiple events occurring within a second will be counted as 1 event for ATM and ASAP MDAs as a result of a hardware limit.
- Loss of Cell Delineation defect/alarm. The LCD defect/alarm is defined in RFC 2515, *Definitions of Managed Objects for ATM Management*. When a path is in an LCD defect state, the path's operational status will be down. When a path exits the LCD state, the path's operational status will change to up (assuming nothing else causes the path to stay down). A trap is raised to indicate the LCD status change. Also a P-RDI is sent to indicate the defect to the remote end.

The **encap-type** is only required when configuring a SONET/SDH path for access mode.

The **no** form of this command restores the default.

## SONET/SDH Path Commands

**Default** bcp-null

**Parameters** **atm** — Specifies that the encapsulation on the port is ATM.

**bcp-null** — Only a single service is configured on this channel and IEEE 802.1Q tags are not used as a service delimiter. Any IEEE 802.1Q tags encountered are regarded as part of the customer payload and transparently forwarded. When **bcp-null** encapsulation is specified, the PPP Bridge Control Protocol (BCP) is activated and all packets on this access port will be encapsulated in accordance with the BCP protocol.

Note that null ports will accept q-tagged frames.

**bcp-dot1q** — Ingress frames carry IEEE 802.1Q tags and the tags are used as service delimiter. Any untagged packets are silently discarded with exception of protocol specific packets. When **bcp-dot1q** encapsulation is specified, the PPP Bridge Control Protocol (BCP) is activated and all packets on this access port will be encapsulated in accordance with the BCP protocol.

**ipcp** — Ingress frames are encapsulated according to the IP Control Protocol. When **ipcp** encapsulation is specified, the PPP IP Control Protocol will be activated and only packets that comply with IPCP encapsulation are processed; others are silently discarded.

**ppp-auto** — Enables PPP on the associated port/channel. The activation of **ipcp** and **mplscp** is automatically enabled depending on the protocol configuration. This **encap** type is only valid on ports/channels in network mode.

**frame-relay** — Enables frame relay on the associated port/channel.

**wan-mirror** — The port is used for mirroring of frame-relay and POS ports. On these ports, no link management protocol would run.

**cisco-hdlc** — Monitors line status on a serial interface by exchanging keepalive request messages with peer network devices.

## ppp

**Syntax** **ppp**

**Context** config>port>sonet-sdh>path

**Description** This command enables access to the context to configure the LCP operational parameters for a SONET/SDH Point-to-Point Protocol (PPP) link.

## keepalive

**Syntax** **keepalive** *time-interval* [**dropcount** *count*]  
**no keepalive**

**Context** config>port>sonet-sdh>path>ppp

**Description** This command enables the sending of keepalive messages and configures the time between messages and how many reports can be missed before bringing the link down.



The **no** form of this command disables the sending of echo requests.

**Default** **keepalive 10 dropcount 3**

**Parameters** *time-interval* — The time interval, in seconds, that echo requests are issued.

**Values** 1 — 60

**Default** 10

**dropcount** *count* — The number of keepalive messages that can be missed before the line is brought down.

**Values** 1— 255

**Default** 3

## report-alarm

**Syntax** [**no**] **report-alarm** {**pais** | **plop** | **prdi** | **pplm** | **prei**}

**Context** config>port>sonet-sdh>path

**Description** This command enables logging of SONET (SDH) path alarms for a SONET-SDH port. Only path alarms can be configured in the channel context.

The **no** form of this command disables logging of the specified alarms.

**Parameters** **pais** — Reports path alarm indication signal errors. When configured, **pais** alarms are raised and cleared.

**Default** pais alarms are not issued

**plop** — Reports path loss of pointer (per tributary) errors. When configured, **plop** traps are raised but not cleared.

**Default** plop traps are issued

**prdi** — Reports path remote defect indication errors. When configured, **prdi** alarms are raised and cleared.

**Default** prdi alarms are not issued

**pplm** — Reports a path payload mismatch, as a result the channel will be brought down. When configured, **pplm** traps are raised but not cleared.

**Default** pplm traps are issued

**prei** — Reports a path error condition raised by the remote as a result of b3 errors received from this node. When configured, **prei** traps are raised but not cleared

**Default** prei traps are not issued

### scramble

**Syntax** [no] **scramble**

**Context** config>port>sonet-sdh>path

**Description** This command enables SONET/SDH payload scrambling. Scrambling randomizes the pattern of 1s and 0s carried in a SONET frame. Rearranging or scrambling the pattern prevents continuous strings of all 1s or all 0s and meets the needs of physical layer protocols that rely on sufficient transitions between 1s and 0s to maintain clocking.

For ATM, this command enables or disables ATM cell-level payload scrambling/descrambling using  $x^{43}+1$  polynomial as defined in ITU-T I.432.1. Scrambling is enabled by default for the ATM path/channel. Note that this scrambling is done in addition to SONET/SDH frame scrambling/descrambling, which is always enabled in the framer.

The **no** form of this command disables scrambling.

**Default** no scramble

### signal-label

**Syntax** **signal-label** *value*

**Context** config>port>sonet-sdh>path

**Description** This command sets the C2 byte value. The purpose of this byte is to communicate the payload type being encapsulated by SONET framing.

**Default** 0xcf

**Parameters** *value* — Specifies the C2 byte value, expressed as a decimal integer or a value in hex format.

**Values** 1 — 254 or 0x01 — 0xfe

### trace-string

**Syntax** **trace-string** [*trace-string*]  
**no trace-string**

**Context** config>port> sonet-sdh>path

**Description** This command specifies that a J1-path-trace that identifies the circuit is inserted continuously at source. This can be checked against the expected value by the receiver. If no trace string is entered then a null string is used.

The **no** form of this command resets the string to its default.

**Default** The default J1 value is Alcatel-Lucent XXX YYY (for example, Alcatel 7750 SR) where XXX is the platform name, such as "7750", and YYY is the product name, such as "SR" or "ESS". The value does not change when the encap-type changes. The J1 string contains all zeros for a non-provisioned path.

**Parameters** *trace-string* — Specifies either a string up to 62 bytes for SONET or 15 bytes for SDH. If the string contains spaces, enclose it in quotation marks.

## keepalive

**Syntax** **keepalive** *time-interval*  
**no keepalive**

**Context** config>port>sonet-sdh>path>cisco-hdlc  
config>port>tdm>ds1>channel-group>cisco-hdlc  
config>port>tdm>ds3>cisco-hdlc  
config>port>tdm>e1>channel-group>cisco-hdlc  
config>port>tdm>e3>cisco-hdlc

**Description** This command specifies the interval, in seconds, used to send periodic keepalive packets. The receiver process expects to receive a keepalive packet every "keepalive interval". The link is declared down if the receiver process does not receive a keepalive within the "timeout interval". The link is declared up once the number of continual keepalive packets received equals to the up-count. The nodes at the two endpoints of the cHDLC link should be provisioned with the same values.

**Default** 10

**Parameters** *time-interval* — Specifies the interval used to send periodic keepalive packets.

**Values** 0 — 300 seconds. A value of 0 means no keepalive packets are sent.

## up-count

**Syntax** **up-count** *up-count*  
**no up-count**

**Context** config>port>sonet-sdh>path>cisco-hdlc  
config>port>tdm>ds1>channel-group>cisco-hdlc  
config>port>tdm>ds3>cisco-hdlc  
config>port>tdm>e1>channel-group>cisco-hdlc  
config>port>tdm>e3>cisco-hdlc

**Description** This command configures the number of continual keepalive packets that have to be received in order to declare the link up. It is expected that the nodes at the two endpoints of the cHDLC link are provisioned with the same values.

**Default** 1

**Parameters** *up-count* — Specifies the number of continual keepalive packets that must be received in order to declare the link up.

**Values** 1 — 3

---

## ATM Interface Commands

### atm

**Syntax** atm

**Context** config>port>sonet-sdh>path  
config>port>tdm>ds1>channel-group  
config>port>tdm>ds3  
config>port>tdm>e3  
config>port>tdm>e1>channel-group  
config>port>multilink-bundle>ima

**Description** This command enables the context to configure ATM interface properties.

### cell-format

**Syntax** cell-format *cell-format*

**Context** config>port>tdm>ds1>channel-group>atm  
config>port>tdm>ds3>atm  
config>port>tdm>e3>atm  
config>port>tdm>e1>channel-group>atm  
config>port>multilink-bundle>ima>atm

**Description** This command configures the ATM cell format.

**Parameters** **uni** — Specifies the user-to-network interface (UNI) cell format.  
**nmi** — Specifies the network-to-network interface (NNI) cell format.

### mapping

**Syntax** mapping *mapping*

**Context** config>port>tdm>ds3>atm

**Description** This command configures the ATM cell mapping for DS-3 channels. The mapping value specifies the cell mapping that is to be used on this ATM interface.

**Default** direct cell mapping

**Parameters** *mapping* — The mapping value specifies the cell mapping that is to be used on this ATM interface.

**Values** **direct** — Specifies direct cell mapping.  
**plcp** — Specifies PLCP cell mapping.

## min-vp-vpi

**Syntax** `min-vp-vpi value`

**Context** `config>port>sonet-sdh>path>atm`  
`config>port>multilink-bundle>ima>atm`  
`config>port>tdm>ds1>channel-group>atm`  
`config>port>tdm>ds3>atm`  
`config>port>tdm>e1>channel-group>atm`  
`config>port>tdm>e3>atm`

**Description** This command sets the minimum allowable virtual path identifier (VPI) value that can be used on the ATM interface for a VPC.

**Parameters** *value* — Specify the minimum allowable VPI value that can be used on the ATM interface for a VPC.

**Values** 0 — 4095 (NNI)  
0 — 255 (UNI)

**Default** 0

## ilmi

**Syntax** `ilmi [vpi/vci]`  
`no ilmi`

**Context** `config>port>sonet-sdh>path>atm`

**Description** This command creates an ILMI link PVCC by default on VPI/VCI 0/16. Deleting an ILMI link deletes the PVCC. ILMI is supported only on ATM interfaces on SONET/SDH paths.

**Parameters** *vpi/vci* — Specifies the PVC identifier (vpi/vci).

**Values** vpi 0 — 4095 (NNI)  
0 — 255 (UNI)  
vci 1, 2, 5 — 65535

## egress

**Syntax** `egress`

**Context** `config>port>sonet-sdh>path>atm>ilmi`

**Description** This command enables the context to configure egress traffic attributes for the ILMI link.

## ATM Interface Commands

### ingress

- Syntax** **ingress**
- Context** config>port>sonet-sdh>path>atm>ilmi
- Description** This command enables the context to configure ingress traffic attributes for the ILMI link.

### traffic-desc

- Syntax** **traffic-desc** *traffic-desc-profile-id*  
**no traffic-desc**
- Context** config>port>sonet-sdh>path>atm>ilmi>egress  
config>port>sonet-sdh>path>atm>ilmi>ingress
- Description** This command associates an ATM traffic descriptor profile to an ILMI link. It is recommended to change this to the traffic profile as defined in the ILMI specification.
- Default** atm-td-profile 1
- Parameters** *traffic-desc-profile-id* — Specifies an existing ATM traffic descriptor profile. Traffic descriptor profiles are configured in the **config>qos>atm-td-profile** context.
- Values** 1 — 1000

### keep-alive

- Syntax** **keep-alive** [**poll-frequency** *seconds*] [**poll-count** *value*] [**test-frequency** *seconds*]  
**no keep-alive**
- Context** config>port>sonet-sdh>path>atm>ilmi
- Description** This command configures keepalive parameters to monitor ILMI link connectivity.  
The **no** form of this command resets the default values on an ILMI link.  
Last Config Change: 03/29/2007 20:35:19 Poll Count:4  
Poll Freq: 5 Test Freq: 1
- Parameters** **poll-frequency** *seconds* — Specifies the amount of time, in seconds, between successive transmissions of ILMI messages on this interface for the purpose of detecting the establishment of ILMI connectivity.  
**Values** 1 — 255
- poll-count** *value* — Specifies the number of consecutive polls on this interface for which no ILMI response message is received before ILMI connectivity is declared lost.  
**Values** 1 — 255
- test-frequency** *seconds* — Specifies the frequency for testing for connectivity when the link is establishing

before polling begins.

**Values** 0 — 255

## protocol

**Syntax** **protocol** *protocol-type*  
**no protocol**

**Context** config>port>sonet-sdh>path>atm>ilmi

**Description** This command configures the protocol.

**Parameters** *protocol-type* — The *protocol-type* is an enumerated integer whose value indicates the ILMI version of either 3.1 or 4.0 that is advertised by IME and also indicates the ILMI IME type of either user-side or network-side.

**Values** 4\_0-user, 4\_0-network. 3\_1-user, 3\_1-network

## Frame Relay Commands

### frame-relay

**Syntax** `frame-relay`

**Context** `config>port>sonet-sdh>path`  
`config>port>tdm>ds1>channel-group`  
`config>port>tdm>ds3`  
`config>port>tdm>e1>channel-group`  
`config>port>tdm>e3`

**Description** This command allows access to the context to configure the Frame Relay Local Management Interface (LMI) operational parameters for a SONET/SDH PoS link, a DS-0 channel group, or a DS-3/E-3 port or channel.

The port's **mode** must be set to **access** in `config>port>sonet-sdh>path>mode access` context.

The port's encapsulation type must be set to **frame-relay** in the `config>port>sonet-sdh>path>encap-type frame-relay` context.

The **no** form of this command removes the Frame Relay LMI operational parameters.

### frf-12

**Syntax** `[no] frf-12`

**Context** `config>port>tdm>ds1>channel-group>frame-relay`  
`config>port>tdm>e1>channel-group>frame-relay`  
`config>port>tdm>ds3>frame-relay`  
`config>port>tdm>e3>frame-relay`  
`config>port>sonet-sdh>path>frame-relay`

**Description** This command defines the context to configure the parameters of FRF.12 Frame Relay fragmentation.



## egress

**Syntax** **egress**

**Context** config>port>multilink-bundle>mlfr  
 config>port>tdm>ds1>channel-group>frame-relay  
 config>port>tdm>e1>channel-group>frame-relay>frf-12  
 config>port>tdm>ds3>frame-relay>frf-12  
 config>port>tdm>e3>frame-relay>frf-12  
 config>port>sonet-sdh>path>frame-relay>frf-12

**Description** This command enables the context to configure the egress QoS profile for an MLFR bundle or a Frame Relay port with FRF.12 UNI/NNI fragmentation enabled.

## qos-profile

**Syntax** **qos-profile** *profile-id*  
**no qos-profile**

**Context** config>port>tdm>channel-group>frame-relay>egress  
 config>port>sonet-sdh>path>frame-relay>egress

**Description** This command specifies the ingress or egress QoS profile to be used for the configuration of the egress QoS parameters of a Frame Relay port with FRF.12 UNI/NNI fragmentation enabled.

The no form of the command removes the parameters from the configuration.

**Parameters** *profile-id* — Specifies the profile number. The value can only be modified if the FR port is shut down.

**Values** 1-128

## fragment-threshold

**Syntax** **fragment-threshold** *fragment-threshold*  
**no fragment-threshold**

**Context** config>port>tdm>channel-group>frame-relay>frf.12  
 config>port>sonet-sdh>path>frame-relay>frf.12

**Description** This command sets the maximum length in bytes of a fragment transmitted across a frame relay port with the FRF.12 UNI/NNI fragmentation enabled.

The no form of this command resets the fragment threshold back to the default value.

**Default** 128

**Parameters** *fragment-threshold* — Specifies the maximum fragment length, in bytes, to be transmitted across the FRF.12 port.

**Values** 128-512 bytes

## Frame Relay Commands

### identifier

|                    |                                                                                                                                                 |
|--------------------|-------------------------------------------------------------------------------------------------------------------------------------------------|
| <b>Syntax</b>      | <b>[no] identifier</b> <i>frf16-link-id-string</i>                                                                                              |
| <b>Context</b>     | config>port>tdm>ds1>channel-group>frame-relay                                                                                                   |
| <b>Description</b> | This command defines the identifier for the FR bundle when used in an MLFR bundle. The <b>no</b> form of this command resets the value to null. |
| <b>Default</b>     | null                                                                                                                                            |
| <b>Parameters</b>  | <i>frf16-link-id-string</i> — Specifies the bundle ID string.<br><b>Values</b> 50 chars maximum                                                 |

### lmi-type

|                    |                                                                                                                                                                                                                                                           |
|--------------------|-----------------------------------------------------------------------------------------------------------------------------------------------------------------------------------------------------------------------------------------------------------|
| <b>Syntax</b>      | <b>lmi-type</b> {ansi   itu   none   rev1}<br><b>no lmi-type</b>                                                                                                                                                                                          |
| <b>Context</b>     | config>port>sonet-sdh>path>frame-relay<br>config>port>tdm>ds1>channel-group>frame-relay<br>config>port>tdm>ds3>frame-relay<br>config>port>tdm>e1>channel-group>frame-relay<br>config>port>tdm>e3>frame-relay                                              |
| <b>Description</b> | This command configures the Local Management Interface (LMI) type for Frame Relay interfaces. LMIs are sets of enhancements to the basic Frame Relay specification.<br>The <b>no</b> form of this command changes the LMI type back to the default value. |
| <b>Default</b>     | itu                                                                                                                                                                                                                                                       |
| <b>Parameters</b>  | <b>ansi</b> — Use ANSI T1.617 Annex D.<br><b>itu</b> — Use ITU-T Q933 Annex A.<br><b>none</b> — Disable Frame Relay LMI on the given port/channel.<br><b>rev1</b> — Use the Rev 1 version of ANSI T1.617 Annex D.                                         |

## mode

**Syntax** `mode {dce | dte | bidir}`

**Context**  
`config>port>sonet-sdh>path>frame-relay`  
`config>port>tdm>ds1>channel-group>frame-relay`  
`config>port>tdm>ds3>frame-relay`  
`config>port>tdm>e1>channel-group>frame-relay`  
`config>port>tdm>e3>frame-relay`

**Description** This command sets the Frame Relay interface into the DCE, DTE, or Bidirectional mode of LMI operation. The DTE mode causes the router to send status enquiries over the interface. The DCE mode causes the router to respond to status enquiries. In bidirectional mode, the router performs both DTE and DCE operation over the FR interface. The bidirectional mode applies to the ANSI and ITU LMI types only.

This feature is used when two routers are connected back-to-back, running frame relay encapsulation.

**Default** `dte`

**Parameters** `dce` — Enables the DCE mode.  
`dte` — Enables the DTE mode.  
`bidir` — Enables the bidirectional mode for LMI types ANSI and ITU.

## n391dte

**Syntax** `n391dte intervals`  
`no n391dte`

**Context**  
`config>port>sonet-sdh>path>frame-relay`  
`config>port>tdm>ds1>channel-group>frame-relay`  
`config>port>tdm>ds3>frame-relay`  
`config>port>tdm>e1>channel-group>frame-relay`  
`config>port>tdm>e3>frame-relay`

**Description** This command sets the DTE full status polling interval for the Frame Relay Local Management Interface (LMI). The number specifies the frequency at which inquiries expect a full status report.

The `no` form of this command returns the `n391dte` counter to the default value.

**Default** `6`

**Parameters** `intervals` — The number of exchanges to be done before requesting a full-status report. A value of 1 specifies to receive full-status messages only.

**Values** `1 — 255`

## Frame Relay Commands

### n392dce

**Syntax**    **n392dce** *threshold*  
**no n392dce**

**Context**    config>port>sonet-sdh>path>frame-relay  
              config>port>tdm>ds1>channel-group>frame-relay  
              config>port>tdm>ds3>frame-relay  
              config>port>tdm>e1>channel-group>frame-relay  
              config>port>tdm>e3>frame-relay

**Description**    This command sets the DCE error threshold for the Frame Relay Local Management Interface (LMI). The threshold specifies the number of errors needed to bring down a link. The **no** form of this command returns the **n392dce** counter to the default value.

**Default**        3

**Parameters**    *threshold* — Specify the number of errors that will place the channel in an operationally down state.  
**Values**        1 — 10

### n392dte

**Syntax**        **n392dte** *count*  
**no n392dte**

**Context**        config>port>sonet-sdh>path>frame-relay  
                  config>port>tdm>ds1>channel-group>frame-relay  
                  config>port>tdm>ds3>frame-relay  
                  config>port>tdm>e1>channel-group>frame-relay  
                  config>port>tdm>e3>frame-relay

**Description**    This command sets the DTE error threshold for the Frame Relay Local Management Interface (LMI). The count specifies the number of errors needed to bring down a link. The **no** form of this command returns the **n392dte** counter to the default value.

**Default**        3

**Parameters**    *count* — Specify the number of errors that will place the path or channel in an operationally down state.  
**Values**        1 — 10

## n393dce

**Syntax**    **n393dce** *count*  
**no n393dce**

**Context**    config>port>sonet-sdh>path>frame-relay  
 config>port>tdm>ds1>channel-group>frame-relay  
 config>port>tdm>ds3>frame-relay  
 config>port>tdm>e1>channel-group>frame-relay  
 config>port>tdm>e3>frame-relay

**Description**    This command sets the DCE monitored event count for the Frame Relay Local Management Interface (LMI).

The **no** form of this command returns the **n393dce** counter to the default value.

**Default**        4

**Parameters**    *count* — Specify the diagnostic window used to verify link integrity on the DCE interface.

**Values**        1 — 10

## n393dte

**Syntax**        **n393dte** *number*  
**no n393dte**

**Context**        config>port>sonet-sdh>path>frame-relay  
 config>port>tdm>ds1>channel-group>frame-relay  
 config>port>tdm>ds3>frame-relay  
 config>port>tdm>e1>channel-group>frame-relay  
 config>port>tdm>e3>frame-relay

**Description**    This command sets the DTE monitored event count for the Frame Relay Local Management Interface (LMI).

The **no** form of this command returns the **n393dte** counter to the default value.

**Default**        4

**Parameters**    *number* — Specify the diagnostic window used to verify link integrity on the DTE interface.

**Values**        1 — 10

## Frame Relay Commands

### t391dte

**Syntax** **t391dte** *seconds*  
**no t391dte**

**Context** config>port>sonet-sdh>path>frame-relay  
config>port>tdm>ds1>channel-group>frame-relay  
config>port>tdm>ds3>frame-relay  
config>port>tdm>e1>channel-group>frame-relay  
config>port>tdm>e3>frame-relay

**Description** This command sets the DTE keepalive timer for the Frame Relay Local Management Interface (LMI). This number specifies the period at which the DTE sends out a keepalive response request to the DCE and updates status depending on the DTE error threshold value. The **no** form of this command returns the **t391dte** keepalive timer to the default value.

**Default** 10

**Parameters** *seconds* — Specify the interval in seconds between status inquiries issued by the DTE.

**Values** 5 — 30

### t392dce

**Syntax** **t392dce** *seconds*  
**no t392dce**

**Context** config>port>sonet-sdh>path>frame-relay  
config>port>tdm>ds1>channel-group>frame-relay  
config>port>tdm>ds3>frame-relay  
config>port>tdm>e1>channel-group>frame-relay  
config>port>tdm>e3>frame-relay

**Description** This command sets the DCE keepalive timer for the Frame Relay Local Management Interface (LMI). This number specifies the period at which the DCE checks for keepalive responses from the DTE and updates status depending on the DCE error threshold value. The **no** form of this command returns the **t392dce** keepalive timer to the default value.

**Default** 15

**Parameters** *seconds* — Specify the expected interval in seconds between status inquiries issued by the DTE equipment.

**Values** 5 — 30

---

## TDM Commands

### tdm

**Syntax** `tdm`

**Context** `config>port`

**Description** This command enables the context to configure DS-1/E-1 and DS-3/E-3 parameters for a port on a channelized MDA T1/E1. This context cannot be accessed on non-channelized MDAs.

TDM is a mechanism to divide the bandwidth of a stream into separate channels or time slots by assigning each stream a different time slot in a set. TDM repeatedly transmits a fixed sequence of time slots over a single transmission channel. Each individual data stream is reassembled at the receiving end based on the timing.

**Default** None

### ds1

**Syntax** `[no] ds1 ds1-id`

**Context** `config>port>tdm`

**Description** This command enables the context to configure digital signal level 1 (DS-1) frame parameters. The T-Carrier system was the first successful system that supported digitized voice transmission. The original transmission rate (1.544 Mbps) in the T-1 (DS-1) line is commonly used by Internet service providers (ISPs) to connect to the Internet.

North America uses the T-Carrier system while Europe uses the E-Carrier system of transmission, using multiples of the DS- system. Digital signals are carried inside the carrier systems.

T-1 transmits DS-1-formatted data at 1.544 Mbps through the network. The corresponding European carrier is E-1 with a data rate of 2.048 Mbps. E-1 and T-1 (DS-1) can be interconnected for international use.

The **no** form of this command disables DS-1 capabilities.

**Default** None

**Parameters** `ds1-id` — Identifies the DS-1 channel being created.

**Values** DS1: 1 — 28

## TDM Commands

### ds3

**Syntax** [no] ds3 [sonet-sdh-index]

**Context** config>port>tdm

**Description** This command enables the context to configure DS-3 parameters. DS-3 lines provide a speed of 44.736 Mbps and is also frequently used by service providers. DS-3 lines carry 28 DS-1 signals and a 44.736 Mbps data rate.

A DS-3 connection typically supports data rates of about 43 Mbps. A T-3 line actually consists of 672 individual channels, each supporting 64 Kbps. T-3 lines are used mainly by Service Providers to connect to the Internet backbone and for the backbone itself.

Depending on the MDA type, the DS-3 parameters must be disabled if clear channel is enabled by default (for example, on the m12-ds3 MDA). Clear channel is a channel that uses out-of-band signaling, not in-band signaling, so the channel's entire bit rate is available. Channelization must be explicitly specified. Note that if DS-3 nodes are provisioned on a channelized SONET/SDH MDA you must provision the parent STS-1 SONET/STM0 SDH path first.

North America uses the T-Carrier system while Europe uses the E-Carrier system of transmission, using multiples of the DS system. Digital signals are carried inside the carrier systems.

The **no** form of this command disables DS-3 capabilities.

**Default** none

**Parameters** *sonet-sdh-index* — Specifies the components making up the specified SONET/SDH Path. Depending on the type of SONET/SDH port the *sonet-sdh-index* must specify more path indexes to specify the payload location of the path. The *sonet-sdh-index* differs for SONET and SDH ports.

### e1

**Syntax** e1 [e1-id]

**Context** config>port>tdm

**Description** This command enables the context to configure E-1 parameters. E-1 is a basic time division multiplexing scheme used to carry digital circuits. It is also a standard WAN digital communication format designed to operate over copper facilities at a rate of 2.048 Mbps.

North America uses the T-Carrier system while Europe uses the E-Carrier system of transmission, using multiples of the DS system. Digital signals are carried inside the carrier systems.

The **no** form of this command disables E-1 capabilities.

**Default** none

**Parameters** *e1-id* — Specifies the E-1 channel being created.

**Values** E1: 1 — 21



## e3

**Syntax** `e3 sonet-sdh-index`

**Context** `config>port>tdm`

**Description** This command enables the context to configure E-3 parameters. E-3 lines provide a speed of 44.736 Mbps and is also frequently used by service providers. E-3 lines carry 16 E-1 signals with a data rate of 34.368 Mbps.

A E-3 connection typically supports data rates of about 43 Mbps. A E-3 line actually consists of 672 individual channels, each supporting 64 Kbps. E-3 lines are used mainly by Service Providers to connect to the Internet backbone and for the backbone itself.

Depending on the MDA type, the E-3 parameters must be disabled if clear channel is enabled by default (for example, on the m12-ds3e3 MDA). Clear channel is a channel that uses out-of-band signaling, not in-band signaling, so the channel's entire bit rate is available. Channelization must be explicitly specified. Note that if E-3 nodes are provisioned on the channelized SONET/SDH MDA you must provision the parent STS-1 SONET/STM0 SDH path first.

North America uses the T-Carrier system while Europe uses the E-Carrier system of transmission, using multiples of the DS system. Digital signals are carried inside the carrier systems.

The **no** form of this command disables E-3 capabilities.

## bert

**Syntax** `bert {2e3|2e9|2e11|2e15|2e20|2e20q|2e23|ones|zeros|alternating} duration duration`  
**no bert**

**Context** `config>port>tdm>ds1`  
`config>port>tdm>ds3`  
`config>port>tdm>e1`  
`config>port>tdm>e3`

**Description** This command initiates or restarts a Bit Error Rate Test (BERT) on the associated DS-1/E-1 or DS-3/E-3 circuit.

The associated DS-1, E-1, DS-3, or E-3 must be in a shutdown (admin down) state to initiate this test.

The **no** form of the command terminates the BERT test if it has not yet completed.

Notes:

- This command is not saved in the router configuration between boots.
- The 4-port OC-3/STM-1 and the 1-port OC-12/STM-4 ASAP MDA supports up to 28 concurrent BERT tests per MDA. The 4-port and 12-port DS-3/E-3 ASAP MDAs support a single BERT test per MDA. An attempt to configure more BERT tests can result in an error indicating an operation failure due to resource exhaustion.
- If the ASAP MDA BERT error insertion **rate** command is executed when tests are running, it will not take effect until test is restarted.

**Default** `2e3`

## TDM Commands

**Parameters** *duration* — Sets the duration for the BERT test.

**Values** Up to 24 hours, in seconds or hh:mm:ss format

**ones** — Sends an all ones pattern.

**zeros** — Sends an all zeroes pattern.

**alternating** — Sends an alternating ones and zeros pattern.

**2e3** — Sends a pseudo-random  $2^3 - 1$  pattern

**2e9** — Sends a pseudo-random  $2^9 - 1$  pattern

**2e15** — Sends a pseudo-random  $2^{15} - 1$  pattern.

**2e20** — Sends a pseudo-random  $2^{20} - 1$  pattern. Not available on channelized ASAP MDAs.

**2e23** — Sends a pseudo-random  $2^{23} - 1$  pattern.

## bit-error-insertion

**Syntax** **bit-error-insertion** *rate*  
**no bit-error-insertion**

**Context** config>port>tdm>ds1  
config>port>tdm>ds3  
config>port>tdm>e1  
config>port>tdm>e3

**Description** This command inserts bit errors into a running BERT test. The number of errors inserted corresponds to  $10^{(-rate)}$ . A rate of 0 will cause 1 error in every bit transmitted. A rate of 7 will cause an error rate of  $10^{(-7)}$ , or 1 error in every one billion bits transmitted.

The no command disables the insertion of bit errors into the bit error rate test stream.

**NOTE:** This command is not saved in the router configuration between boots.

**Default** no bit-error-insertion

**Parameters** *rate* — Specifies the bit error rate, expressed as an integer.

**Values** 2 — 7

## buildout

**Syntax** **buildout** {**long** | **short**}

**Context** config>port>tdm

**Description** This command specifies line buildout (cable length) for physical DS-1/DS-3 ports.

**Default** short

**Parameters** **long** — Sets the line buildout for length runs up to 450 feet.

**short** — Sets the line buildout for length runs up to 225 feet.

## lbo

**Syntax** **lbo [0dB | -7.5dB | -15.0dB | -22.5dB]**

**Context** config>port>tdm

**Description** This command applies only to a DS-1 port configured with a 'long' buildout (see the **buildout** command). Specify the number of decibels the transmission signal decreases over the line.

For 'short' buildout the following values are valid:

lboNotApplicable — Not applicable

For 'long' buildout the following values are valid:

lbo0dB            For 0 dB

lboNeg7p5dB     For -7.5 dB

lboNeg15p0dB    For -15.0 dB

lboNeg22p5dB    For -22.5 dB

The default for 'short' build out is 'NotApplicable' while the default for 'long' buildout is 'lbo0dB'.

## length

**Syntax** **length {133 | 266 | 399 | 533 | 655}**

**Context** config>port>tdm

**Description** This command applies only to a DS-1 port configured with a 'short' buildout. The **length** command configures the length of the line (in feet). For line lengths longer than 655 feet, configure the DS-1 port buildout as 'long'.

For 'long' buildout the following values are valid:

NotApplicable — Not applicable

For 'short' buildout the following values are valid:

0 — 133    For line length from 0 to 133 feet

134 — 266   For line length from 134 to 266 feet

267 — 399   For line length from 267 to 399 feet

400 — 533   For line length from 400 to 533 feet

534 — 655   For line length from 534 to 655 feet

The default for 'long' buildout is 'NotApplicable' while the default for 'short' buildout is '0 — 133'.

## channel-group

|                    |                                                                                                                                                                                                             |
|--------------------|-------------------------------------------------------------------------------------------------------------------------------------------------------------------------------------------------------------|
| <b>Syntax</b>      | <b>[no] channel-group</b> <i>channel-group-id</i>                                                                                                                                                           |
| <b>Context</b>     | config>port>tdm>ds1>channel-group<br>config>port>tdm>e1>channel-group                                                                                                                                       |
| <b>Description</b> | This command creates DS0 channel groups in a channelized DS1 or E1 circuit. Channel groups cannot be further subdivided.<br><br>The <b>no</b> form of this command deletes the specified DS1 or E1 channel. |
| <b>Default</b>     | None                                                                                                                                                                                                        |
| <b>Description</b> | <i>channel-group-id</i> — Identifies the channel-group ID number.                                                                                                                                           |
| <b>Values</b>      | DS1: 1 — 24<br>E1: 1 — 32                                                                                                                                                                                   |

## channelized

|                    |                                                                                                                                                                                                                                                                                                                                                                                                                                                                                                                                                                                                                   |
|--------------------|-------------------------------------------------------------------------------------------------------------------------------------------------------------------------------------------------------------------------------------------------------------------------------------------------------------------------------------------------------------------------------------------------------------------------------------------------------------------------------------------------------------------------------------------------------------------------------------------------------------------|
| <b>Syntax</b>      | <b>channelized {ds1   e1}</b><br><b>no channelized</b>                                                                                                                                                                                                                                                                                                                                                                                                                                                                                                                                                            |
| <b>Context</b>     | config>port>tdm>ds3                                                                                                                                                                                                                                                                                                                                                                                                                                                                                                                                                                                               |
| <b>Description</b> | This command specifies that the associated DS-3 is a channelized DS-3 with DS-1/E-1 sub-channels. Depending on the MDA type, the DS-3 parameters must be disabled if clear channel is the default (for example, on m12-ds3 MDAs). Clear channel is a channel that uses out-of-band signaling, not in-band signaling, so the channel's entire bit rate is available. Channelization must be explicitly specified. The no form specifies the associated DS-3 is a clear channel circuit and cannot contain sub-channel DS-1s/E-1s. The sub-channels must be deleted first before the <b>no</b> command is executed. |
| <b>Default</b>     | no channelized.                                                                                                                                                                                                                                                                                                                                                                                                                                                                                                                                                                                                   |
| <b>Parameters</b>  | <b>ds1</b> — Specifies that the channel is DS-1.<br><b>e1</b> — Specifies that the channel is E-1.                                                                                                                                                                                                                                                                                                                                                                                                                                                                                                                |

## cisco-hdlc

|                    |                                                                                                                                                                                                                                                            |
|--------------------|------------------------------------------------------------------------------------------------------------------------------------------------------------------------------------------------------------------------------------------------------------|
| <b>Syntax</b>      | <b>cisco-hdlc</b>                                                                                                                                                                                                                                          |
| <b>Context</b>     | config>port>tdm>ds1>channel-group<br>config>port>tdm>ds3<br>config>port>tdm>e1>channel-group<br>config>port>tdm>e3                                                                                                                                         |
| <b>Description</b> | This command enables the context to configure Cisco HDLC parameters. Cisco HDLC is an encapsulation protocol that governs information transfer. It specifies a data encapsulation method on synchronous serial links using frame characters and checksums. |

Cisco HDLC monitors line status on a serial interface by exchanging keepalive request messages with peer network devices. It also allows routers to discover IP addresses of neighbors by exchanging Serial Link Address Resolution Protocol (SLARP) address-request and address-response messages with peer network.

Only IES SAPs (including SAPs in VPRN service) can provision a Cisco-HDLC-capable configuration.

## clock-source

**Syntax** `clock-source {loop-timed | node-timed | adaptive | differential}`

**Context**  
`config>port>tdm>ds1`  
`config>port>tdm>ds3`  
`config>port>tdm>e1`  
`config>port>tdm>e3`

**Description** This command configures the clock to be used for transmission of data out towards the line. The options are to use the locally recovered clock from the line's receive data stream, the node central reference, or an adaptively recovered clock using the received packets.

The following tables show MDAs that support loop timing at DS3/E3 and DS1/E1 channelization options.

| TDM DS3/E3              | LoopTimed | Default    |
|-------------------------|-----------|------------|
| Channelized OC-12       | No        | node-timed |
| Channelized OC-3        | No        | node-timed |
| Channelized DS3/E3      | No        | node-timed |
| Channelized ASAP OC-12  | Yes       | node-timed |
| Channelized ASAP OC-3   | Yes       | node-timed |
| Channelized ASAP DS3/E3 | Yes       | node-timed |
| CES OC-3                | Yes       | node-timed |

## TDM Commands

| TDM DS1/E1              | LoopTimed | Default    |
|-------------------------|-----------|------------|
| Channelized OC-12       | Yes       | loop-timed |
| Channelized OC-3        | Yes       | loop-timed |
| Channelized DS3/E3      | Yes       | loop-timed |
| Channelized ASAP OC-12  | Yes       | loop-timed |
| Channelized ASAP OC-3   | Yes       | loop-timed |
| Channelized ASAP DS3/E3 | Yes       | loop-timed |
| CES OC-3                | Yes       | loop-timed |

**Parameters**

- loop-timed** — The link recovers the clock from the received data stream.
- node-timed** — The link uses the internal clock when transmitting data.
- adaptive** — The clock is adaptively recovered from the rate at which data is received and not from the physical layer. Adaptive timing is only supported on ds1 and e1 channels.
- differential** — The clock is recovered from differential RTP timestamp header.

## CRC

**Syntax** `crc {16 | 32}`

**Context**

```
config>port>tdm>ds1>channel-group
config>port>tdm>ds3
config>port>tdm>e1>channel-group
config>port>tdm>e3
```

**Description** This command configures the precision of the cyclic redundancy check (CRC).

**Default** 16 for non-ATM channel groups configured under DS-1, E-1 and for non-ATM E-3 and DS-3 channel/ports. 32 for ATM channel-groups configured under DS-1 and E-1, and for ATM E-3 and DS-3 channels/ports. The default cannot be changed.

**Parameters**

- 16** — Use 16 bit checksum for the associated port/channel.
- 32** — Use 32 bit checksum for the associated port/channel.

## down-count

**Syntax**    **down-count** *down-count*  
**no down-count**

**Context**    config>port>sonet-sdh>path>cisco-hdlc  
 config>port>tdm>ds1>channel-group>cisco-hdlc  
 config>port>tdm>ds3>cisco-hdlc  
 config>port>tdm>e1>channel-group>cisco-hdlc  
 config>port>tdm>e3>cisco-hdlc

**Description**    This command configures the number of keepalive intervals that must pass without receiving a keepalive packet before the link is declared down. It is expected that the nodes at the two endpoints of the cHDLC link are provisioned with the same values.

**Default**    3

*down-count* — Specifies the number of keep alive intervals that must pass without receiving a keep alive packet before the link is declared down.

**Values**    3 — 16

## encap-type

**Syntax**    **encap-type** {atm | bcp-null | bcp-dot1q | ipcp | ppp-auto | frame-relay | wan-mirror |cisco-hdlc}

**Context**    config>port>tdm>ds1>channel-group  
 config>port>tdm>ds3  
 config>port>tdm>e1>channel-group  
 config>port>tdm>e3

**Context**    This command configures the encapsulation method used to on the specified port, path, or channel. This parameter can be set on both access and network ports.

When the **encap-type** is set to ATM the CRC, timeslots, scrambling (if applicable), and idle-cycle-flags are set to ATM defaults respectively. When the encap-type is changed from ATM, those parameters are set to their non-ATM defaults.

When the **encap-type** is ATM, ATM sub-layer verification (GR-1248-CORE, *Generic Requirements for Operations of ATM Network Elements (NEs)*) is automatically enabled. When ATM PLCP cell mapping is used, the results of this verification include:

- PLCP Severely Errored Framing Seconds
- PLCP Alarm State
- PLCP Unavailable Seconds Counter

When ATM direct cell mapping is used, the result of the verification includes:

- Out of Cell Delineation (OCD) event count. The OCD event count is described in RFC 2515, *Definitions of Managed Objects for ATM Management*. Note that multiple events occurring within a second will be counted as 1 event for ASAP MDAs as a result of a hardware limit.

## TDM Commands

- Loss of Cell Delineation defect/alarm. The LCD defect/alarm is defined in RFC 2515, *Definitions of Managed Objects for ATM Management*. When a path is in an LCD defect state, the path's operational status will be down. When a path exits the LCD state, the path's operational status will change to up (assuming nothing else causes the path to stay down). A trap is raised to indicate the LCD status change. Also, a P-RDI is sent to indicate the defect to the remote end.

The **no** form of this command restores the default.

**Default** bcp-null

**Parameters** **atm** — Specifies the encapsulation on the port is ATM.

**bcp-null** — When selected, this keyword specifies that only a single service is configured on this channel and IEEE 802.1Q tags are not used as a service delimiter. Any IEEE 802.1Q tags encountered are regarded as part of the customer payload and transparently forwarded. When bcp-null encapsulation is specified, the PPP Bridge Control Protocol (BCP) is activated and all packets on this access port will be encapsulated in accordance with the BCP protocol.

**bcp-dot1q** — When selected, this keyword specifies that ingress frames carry IEEE 802.1Q tags and the tags are used as service delimiter. Any untagged packets are silently discarded with exception of protocol specific packets. When bcp-dot1q encapsulation is specified, the PPP Bridge Control Protocol (BCP) is activated and all packets on this access port will be encapsulated in accordance with the BCP protocol.

**ipcp** — Ingress frames are encapsulated according to the IP Control Protocol. When ipcp encapsulation is specified, the PPP IP Control Protocol will be activated and only packets that comply with IPCP encapsulation are processed; others are silently discarded.

**ppp-auto** — (Network mode) Enables PPP on the associated port/channel. The activation of ipcp and mplscp is automatically enabled depending on the protocol configuration. This encap type is only valid on ports/channels in network mode.

**frame-relay** — Enables frame relay on the associated port/channel.

**wan-mirror** — The port is used for mirroring of frame-relay and POS ports. On these ports, no link management protocol will run.

**cisco-hdlc** — Monitors line status on a serial interface by exchanging keepalive request messages with peer network devices.

**cem** — On circuit emulation CMAs and MDAs, only the **cem** encap-type is supported. All other values are blocked with an appropriate warning. The **cem** encap-type is not supported on other CMAs and MDAs and are blocked with an appropriate warning.

## feac-loop-respond

**Syntax** [no] feac-loop-respond

**Context** config>port>tdm>ds3  
config>port>tdm>e3

**Description** This command enables the associated DS-3 interface to respond to remote loop signals.



The DS-3 far-end alarm and control (FEAC) signal is used to send alarm or status information from the far-end terminal back to the local terminal. DS-3 loopbacks at the far-end terminal from the local terminal are initiated.

The **no** form of this command prevents the associated DS-3/E-3 interface from responding to remote loop signals.

**Default** no feac-loop-respond

## framing (DS-1)

**Syntax** framing {**esf** | **sf** | **unframed-ds1**}

**Context** config>port>>tdm>ds1

**Description** This command specifies the DS-1 framing to be used with the associated channel.

**Default** DS1: esf

**Parameters** **esf** — Configures the DS-1 port for extended super frame framing.

**sf** — Configures the DS-1 port for super frame framing.

**unframed-ds1** — Specifies ds-1 unframed (G.703) mode for DS-1 interfaces. This parameter allows the configuration of an unstructured DS-1 channel on a CES MDA. In G.704, timeslot 0 is used to carry timing information by a service provider, thus, only 31 slots are made available to the end user. In G.703, all 32 time slots are available to the end user. Timing is provided by the end user. When an e1-unframed channel is shutdown, it sends the AIS pattern to the far-end DS-1 which does not react. The operational status remains up and no alarms are generated while the near-end (shutdown) is operationally down. This is normal behavior since the G.703 option does not have framing. G.703 framing is only applicable for FR, PPP, and C-HDLC encapsulations.

## framing (E-1)

**Syntax** framing {**no-crc-g704** | **g704** | **e1-unframed**}

**Context** config>port>tdm>e1

**Description** This command specifies the E-1 framing to be used with the associated channel.

**Default** g704

**Parameters** **g704** — Configure the E-1 port for G.704 framing.

**no-crc-g704** — Configures the E-1 for G.704 with no CRC4.

**e1-unframed** — Specifies E-1 unframed (G.703) mode for E-1 interfaces. This parameter also allows the configuration of an unstructured E-1 channel on an ASAP or CES MDA. In G.704, timeslot 0 is used to carry timing information by a service provider, thus, only 31 slots are made available to the end user. In G.703, all 32 time slots are available to the end user. Timing is provided by the end user. When an e1-unframed channel is shutdown, it sends the AIS pattern to the far-end E-1 which does not react. The operational status remains up and no alarms are generated while the near-end (shutdown) is operation-

## TDM Commands

ally down. This is normal behavior since the G.703 option does not have framing. G.703 framing is only applicable for FR, PPP, and CHDLC and CEM encapsulations.

### framing (DS3)

|                    |                                                                                                                                                                                                                                                                                                        |
|--------------------|--------------------------------------------------------------------------------------------------------------------------------------------------------------------------------------------------------------------------------------------------------------------------------------------------------|
| <b>Syntax</b>      | <b>framing {c-bit   m23   unframed-ds3}</b>                                                                                                                                                                                                                                                            |
| <b>Context</b>     | config>port>tdm>ds3                                                                                                                                                                                                                                                                                    |
| <b>Description</b> | This command specifies DS-3 framing for the associated DS-3 port or channel.                                                                                                                                                                                                                           |
| <b>Default</b>     | <b>c-bit</b>                                                                                                                                                                                                                                                                                           |
| <b>Parameters</b>  | <b>c-bit</b> — Configures the DS-3 port/channels for C-Bit framing.<br><b>m23</b> — Configures the DS-3 port/channel for M23 framing.<br><b>unframed-ds1</b> — Specifies ds-3 unframed mode for DS-3 interfaces. This parameter allows the configuration of an unstructured DS-3 channel on a CES MDA. |

### framing (E-3)

|                    |                                                                                                                                                                                                                                                                                                 |
|--------------------|-------------------------------------------------------------------------------------------------------------------------------------------------------------------------------------------------------------------------------------------------------------------------------------------------|
| <b>Syntax</b>      | <b>framing {g751   g832   unframed-e3}</b>                                                                                                                                                                                                                                                      |
| <b>Context</b>     | config>port>tdm>e3                                                                                                                                                                                                                                                                              |
| <b>Description</b> | This command specifies E-3 framing for the associated E-3 port or channel.                                                                                                                                                                                                                      |
| <b>Default</b>     | E-3 non-ATM: g751 and cannot be changed.<br>E-3 ATM: g832 and cannot be changed.                                                                                                                                                                                                                |
| <b>Parameters</b>  | <b>g751</b> — Configures the E-3 port/channel for g751 framing.<br><b>g832</b> — Configures the E-3 port/channel for g832 framing.<br><b>unframed-e3</b> — Specifies e-3 unframed mode for E-3 interfaces. This parameter allows the configuration of an unstructured E-3 channel on a CES MDA. |

## idle-cycle-flag

|                    |                                                                                                                                                                                                                                                                                                                                 |
|--------------------|---------------------------------------------------------------------------------------------------------------------------------------------------------------------------------------------------------------------------------------------------------------------------------------------------------------------------------|
| <b>Syntax</b>      | <b>idle-cycle-flag</b> { <b>flags</b>   <b>ones</b> }                                                                                                                                                                                                                                                                           |
| <b>Context</b>     | config>port>tdm>ds1>channel-group<br>config>port>tdm>ds3<br>config>port>tdm>e1<br>config>port>tdm>e1>channel-group<br>config>port>tdm>e3                                                                                                                                                                                        |
| <b>Description</b> | This command configures the value that the HDLC TDM DS-0, E-1, E-3, DS-1, or DS-3 interface transmits during idle cycles. For ATM ports/channels/channel-groups, the configuration does not apply and only the no form is accepted.<br><br>The <b>no</b> form of this command reverts the idle cycle flag to the default value. |
| <b>Default</b>     | flags (0x7E)<br>no flags (ATM)                                                                                                                                                                                                                                                                                                  |
| <b>Parameters</b>  | <b>flags</b> — Specifies that 0x7E is used as the idle cycle flag.<br><b>ones</b> — Specifies that 0xFF is used as the idle cycle flag.                                                                                                                                                                                         |

## idle-payload-fill

|                    |                                                                                                                                                                                                                                                                                                                                     |
|--------------------|-------------------------------------------------------------------------------------------------------------------------------------------------------------------------------------------------------------------------------------------------------------------------------------------------------------------------------------|
| <b>Syntax</b>      | <b>idle-payload-fill</b> <b>pattern</b> <i>pattern</i><br><b>no idle-payload-fill</b><br><b>idle-payload-fill</b> { <b>all-ones</b> }                                                                                                                                                                                               |
| <b>Context</b>     | config>port>tdm>ds1>channel-group<br>config>port>tdm>e1>channel-group                                                                                                                                                                                                                                                               |
| <b>Description</b> | This command defines the data pattern to be transmitted when the circuit emulation service is not operational or temporarily experiences under-run conditions. This command is only valid for cesopns and cesopns-cas circuit emulation services. It is blocked with a warning for unstructured (satop) circuit emulation services. |
| <b>Default</b>     | all-ones                                                                                                                                                                                                                                                                                                                            |
| <b>Parameters</b>  | <b>all-ones</b> — Defines the 8 bit value to be transmitted as 11111111.<br><i>pattern</i> — Transmits a user-defined pattern.                                                                                                                                                                                                      |

## idle-signal-fill

|                    |                                                                                                                                                                                                                                                                                                                                                |
|--------------------|------------------------------------------------------------------------------------------------------------------------------------------------------------------------------------------------------------------------------------------------------------------------------------------------------------------------------------------------|
| <b>Syntax</b>      | <b>idle-signal-fill</b> { <b>all-ones</b> }<br><b>idle-signal-fill</b> <i>pattern</i> <i>pattern</i><br><b>no idle-signal-fill</b>                                                                                                                                                                                                             |
| <b>Context</b>     | config>port>tdm>ds1>channel-group<br>config>port>tdm>e1>channel-group                                                                                                                                                                                                                                                                          |
| <b>Description</b> | This command defines the signaling pattern to be transmitted when the circuit emulation service is not operational or temporarily experiences under-run conditions. This command is only valid for cesopsn-cas circuit emulation services. It is blocked with a warning for unstructured (satop) and basic cesopsn circuit emulation services. |
| <b>Default</b>     | all-ones                                                                                                                                                                                                                                                                                                                                       |
| <b>Parameters</b>  | <b>all-ones</b> — Defines the 8 bit value to be transmitted as 11111111.<br><i>pattern</i> — Transmits a user-defined pattern.                                                                                                                                                                                                                 |

## insert-single-bit-error

|                    |                                                            |
|--------------------|------------------------------------------------------------|
| <b>Syntax</b>      | <b>insert-single-bit-error</b>                             |
| <b>Context</b>     | config>port>tdm>ds1<br>config>port>tdm>e1                  |
| <b>Description</b> | This command inserts a single bit error for the BERT test. |
| <b>Default</b>     | no bit-error-insertion                                     |

## invert-data

|                    |                                                                                                                     |
|--------------------|---------------------------------------------------------------------------------------------------------------------|
| <b>Syntax</b>      | <b>[no] invert-data</b>                                                                                             |
| <b>Context</b>     | config>port>tdm>ds1<br>config>port>tdm>e1                                                                           |
| <b>Description</b> | This command causes all data bits to be inverted, to guarantee ones density. Typically used with AMI line encoding. |
| <b>Default</b>     | no invert-data                                                                                                      |

## loopback

|                    |                                                                                                                                                                                                                                                                                                                                                                                                                                                                                                                                                                                                                                                                                                                                                                                       |
|--------------------|---------------------------------------------------------------------------------------------------------------------------------------------------------------------------------------------------------------------------------------------------------------------------------------------------------------------------------------------------------------------------------------------------------------------------------------------------------------------------------------------------------------------------------------------------------------------------------------------------------------------------------------------------------------------------------------------------------------------------------------------------------------------------------------|
| <b>Syntax</b>      | <b>loopback</b> { <b>line</b>   <b>internal</b>   <b>fdl-ansi</b>   <b>fdl-bellcore</b>   <b>payload-ansi</b>   <b>inband-ansi</b>   <b>inband-bellcore</b> }<br><b>no loopback</b>                                                                                                                                                                                                                                                                                                                                                                                                                                                                                                                                                                                                   |
| <b>Context</b>     | config>port>tdm>ds1<br>config>port>tdm>e1                                                                                                                                                                                                                                                                                                                                                                                                                                                                                                                                                                                                                                                                                                                                             |
| <b>Description</b> | This command puts the specified port or channel into a loopback mode.<br>The corresponding port or channel must be in a shutdown state in order for the loopback mode to be enabled. The upper level port or channel or parallel channels should not be affected by the loopback mode.<br><b>NOTE:</b> This command is not saved in the router configuration between boots.<br>The <b>no</b> form of this command disables the specified type of loopback.                                                                                                                                                                                                                                                                                                                            |
| <b>Default</b>     | no loopback                                                                                                                                                                                                                                                                                                                                                                                                                                                                                                                                                                                                                                                                                                                                                                           |
| <b>Parameters</b>  | <b>line</b> — Places the associated port or channel into a line loopback mode. A line loopback loops frames received on the corresponding port or channels back to the remote router.<br><b>internal</b> — Places the associated port or channel into a internal loopback mode. A internal loopback loops the frames from the local router back at the framer.<br><b>fdl-ansi</b> — Requests FDL line loopback according to ANSI T1.403.<br><b>fdl-bellcore</b> — Requests FDL line loopback according to Bellcore TR-TSY-000312.<br><b>payload-ansi</b> — Requests payload loopback using ANSI signaling.<br><b>inband-ansi</b> — Requests inband line loopback according to ANSI T1.403.<br><b>inband-bellcore</b> — Requests inband line loopback according to Bellcore signaling. |

## loopback

|                    |                                                                                                                                                                                                                                                                                                                                                                                                                                                            |
|--------------------|------------------------------------------------------------------------------------------------------------------------------------------------------------------------------------------------------------------------------------------------------------------------------------------------------------------------------------------------------------------------------------------------------------------------------------------------------------|
| <b>Syntax</b>      | <b>loopback</b> { <b>line</b>   <b>internal</b>   <b>remote</b> }<br><b>no loopback</b>                                                                                                                                                                                                                                                                                                                                                                    |
| <b>Context</b>     | config>port>tdm>e3<br>config>port>tdm>ds3                                                                                                                                                                                                                                                                                                                                                                                                                  |
| <b>Description</b> | This command puts the specified port or channel into a loopback mode.<br>The corresponding port or channel must be in a shutdown state in order for the loopback mode to be enabled. The upper level port or channel or parallel channels should not be affected by the loopback mode.<br><b>NOTE:</b> This command is not saved in the router configuration between boots.<br>The <b>no</b> form of this command disables the specified type of loopback. |
| <b>Default</b>     | no loopback                                                                                                                                                                                                                                                                                                                                                                                                                                                |

## TDM Commands

- Parameters**
- line** — Places the associated port or channel into a line loopback mode. A line loopback loops frames received on the corresponding port or channels back to the remote router.
  - internal** — Places the associated port or channel into a internal loopback mode. A internal loopback loops the frames from the local router back at the framer.
  - remote** — Sends a signal to the remote device to provide a line loopback.

## mdl

- Syntax** **mdl** {**eic** | **lic** | **fic** | **unit** | **pfi** | **port** | **gen**} *mdl-string*  
**no mdl**
- Context** config>port>tdm>ds3
- Description** This command configures the maintenance data link (MDL) message for a DS-3/E-3. This command is only applicable if the DS-3/E-3 is using C-bit framing (see the **framing (DS3)** command). The **no** form of this command removes the MDL string association and stops the transmission of any IDs.
- Default** no mdl
- Parameters**
- mdl-string* — specify an MDL message up to 38 characters long on a DS-3.
  - eic** — Specifies the equipment ID code up to 10 characters long.
  - lic** — Specifies the equipment ID code up to 11 characters long.
  - fic** — Specifies the ID code up to 10 characters long.
  - unit** — Specifies the unit ID code up to 6 characters long.
  - pfi** — Specifies the facility ID code up to 38 characters long.
  - port** — Specifies the port ID code up to 38 characters long.
  - gen** — Specifies the generator number to send in the MDL test signal message up to 38 characters long.

## mdl-transmit

- Syntax** **mdl-transmit** {**path** | **idle-signal** | **test-signal**}  
**no mdl-transmit** [**path** | **idle-signal** | **test-signal**]
- Context** config>port>tdm>ds3  
config>port>tdm>e3
- Description** This command enables the transmission of an MDL message on a DS-3/E-3 over channelized interface. The **no** form of this command disables transmission of the specified message or all messages.
- Default** no mdl-transmit
- Parameters**
- path** — Specify the MDL path message.

**idle-signal** — Specify the MDL idle signal message.

**test-signal** — Specify the MDL test signal message.

## remote-loop-respond

**Syntax** [no] remote-loop-respond

**Context** config>port>tdm>ds1

**Description** When abled, the channel responds to requests for remote loopbacks.

**Default** no remote-loop-respond — The port will not respond.

## report-alarm

**Syntax** [no] report-alarm [ais] [los] [oof] [rai] [looped] [ber-sd] [ber-sf]

**Context** config>port>tdm>ds1  
config>port>tdm>e1

**Description** This command enables logging of DS-1/DS-3 or E-1/E-3 alarms for DS-1/DS-3 or E-1/E-3 ports or channels.

The **no** form of this command disables logging of the specified alarms.

**Parameters** **ais** — Reports alarm indication signal errors. When configured, **ais** alarms are not raised and cleared.

**Default** **ais** alarms are issued

**los** — Reports loss of signal errors. When configured, **los** traps are not raised and cleared.

**Default** **los** traps are issued.

**oof** — Reports out-of-frame errors. When configured, **oof** alarms are not raised and cleared.

**Default** **oof** alarms are not issued.

**rai** — Reports resource availability indicator events. When configured, **rai** events are not raised and cleared.

**Default** **rai** alarms are not issued

**looped** — Reports looped packets errors.

**looped** alarms are not issued **lof** — Reports loss of frame errors. When configured, **lof** traps are not raised and cleared.

**Default** **lof** traps are issued

## TDM Commands

### signal-mode

|                    |                                                                                                                                                                                                                                    |
|--------------------|------------------------------------------------------------------------------------------------------------------------------------------------------------------------------------------------------------------------------------|
| <b>Syntax</b>      | <b>signal-mode {cas}</b><br><b>no signal-mode</b>                                                                                                                                                                                  |
| <b>Context</b>     | config>port>tdm>ds1<br>config>port>tdm>e1                                                                                                                                                                                          |
| <b>Description</b> | This command activates the signal mode on the channel. When enabled, it uses routing information to direct the payload of voice or data to its destination.<br><br>The <b>no</b> form of the command reverts to the default value. |
| <b>Default</b>     | no signal-mode                                                                                                                                                                                                                     |
| <b>Parameters</b>  | <b>cas</b> — Specifies channel associated signaling.                                                                                                                                                                               |

### speed

|                    |                                                                                                                                                                                                                                |
|--------------------|--------------------------------------------------------------------------------------------------------------------------------------------------------------------------------------------------------------------------------|
| <b>Syntax</b>      | <b>speed {56   64}</b>                                                                                                                                                                                                         |
| <b>Context</b>     | config>port>tdm>ds1>channel-group<br>config>port>tdm>e1>channel-group                                                                                                                                                          |
| <b>Description</b> | This command sets the speed of the DS-0 channels used in the associated channel-group.                                                                                                                                         |
| <b>Default</b>     | 64                                                                                                                                                                                                                             |
| <b>Parameters</b>  | <b>56</b> — Specifies that 56k byte (7-bits per byte) encoding will be used for the associated DS-0 channels.<br><b>64</b> — Specifies that 64k byte (8-bits per byte) encoding will be used for the associated DS-0 channels. |

### subrate

|                    |                                                                                                                                                                                                                                                                                                |
|--------------------|------------------------------------------------------------------------------------------------------------------------------------------------------------------------------------------------------------------------------------------------------------------------------------------------|
| <b>Syntax</b>      | <b>subrate {digital-link   larscom} rate-step</b><br><b>no subrate</b>                                                                                                                                                                                                                         |
| <b>Context</b>     | config>port>tdm>ds3                                                                                                                                                                                                                                                                            |
| <b>Description</b> | This command configures the channel service unit (CSU) compatibility mode to interoperate with existing DS-3 subrate standards.<br><br>This configuration applies only for non-channelized DS-3s on ASAP TDM MDAs.<br><br>The <b>no</b> form of this command remove the subrate functionality. |
| <b>Default</b>     | no subrate                                                                                                                                                                                                                                                                                     |
| <b>Parameters</b>  | <i>digital-link</i> — Enables the Digital-Link (Quick Eagle) CSU compatibility mode .<br><i>larscom</i> — Enables the Larscom CSU compatibility mode.                                                                                                                                          |



*rate-step* — Specify the subrate value for the associated DS-3.

**Values**      1 — 147 (digital-link)  
                   1 — 14 (larscom)

## threshold

**Syntax**      **threshold** {*ber-sd* | *ber-sf*} **rate** {1 | 5 | 10 | 50 | 100}  
**no threshold** {*ber-sd* | *ber-sf*}

**Context**      config>port>tdm>ds1  
                   config>port>tdm>e1

**Description**    This command configures the line signal degradation bit error rate (BER) and line signal failure thresholds. Line signal (b2) bit interleaved parity error rates are measured and when they cross either the degradation or failure thresholds alarms are raised (see the report-alarm line & section command), furthermore if the failure threshold is crossed the link will be set to operationally down.

The **no** form of this command reverts to the default value.

**Default**        threshold *ber-sd* rate 5  
                   threshold *ber-sf* rate 50

**Parameters**    **ber-sd** — Specifies the BER that specifies signal degradation.  
**ber-sf** — Specifies the BER that specifies signal failure.  
*rate* — Specifies the number of errors, in millions.

## timeslots

**Syntax**        **timeslots** *timeslots*  
**no timeslots**

**Context**        config>port>tdm>ds1>channel-group  
                   config>port>tdm>e1>channel-group

**Description**    This command defines the list of DS-0 timeslots to be used in the DS-1 or E-1 channel-group. The timeslots are defaulted as defined below when encap-type is set **to/from atm**. ATM channel groups do not allow timeslots to change.

The **no** form of this command removes DS-0 timeslots from a channel group.

**Default**        no timeslots — Non-ATM channel groups.1-24 — Channel groups configured under DS-1 with encap set to ATM.  
                   2-16,18-32 — Channel groups configured under E-1 with encap set to ATM.

**Description**    *timeslots* — Specifies the timeslot(s) to be associated with the channel group. The value can consist of a list

## TDM Commands

of timeslots. Each member of the list can either be a single timeslot or a range of timeslots.

**Values**     1 — 24 for DS-1 interfaces (the full range is auto-configured for ATM channel groups and cannot be changed).  
              2 — 32 for E-1 interfaces (the 2 — 16, 18 — 32 ranges are auto-configured for ATM channel groups and cannot be changed).

---

## LAG Commands

### lag

**Syntax** [no] lag [*lag-id*]

**Context** config

**Description** This command creates the context for configuring Link Aggregation Group (LAG) attributes.

A LAG can be used to group multiple ports into one logical link. The aggregation of multiple physical links allows for load sharing and offers seamless redundancy. If one of the links fails, traffic will be redistributed over the remaining links.

**NOTE:** All ports in a LAG group must have autonegotiation set to Limited or Disabled.

There are three possible settings for autonegotiation:

- “on” or enabled with full port capabilities advertised
- “off” or disabled where there is no autonegotiation advertisements
- “limited” where a single speed/duplex is advertised.

When autonegotiation is enabled on a port, the link attempts to automatically negotiate the link speed and duplex parameters. If autonegotiation is enabled, the configured duplex and speed parameters are ignored.

When autonegotiation is disabled on a port, the port does not attempt to autonegotiate and will only operate at the **speed** and **duplex** settings configured for the port. Note that disabling autonegotiation on gigabit ports is not allowed as the IEEE 802.3 specification for gigabit Ethernet requires autonegotiation be enabled for far end fault indication.

If the **autonegotiate limited** keyword option is specified the port will autonegotiate but will only advertise a specific speed and duplex. The speed and duplex advertised are the **speed** and **duplex** settings configured for the port. One use for limited mode is for multispeed gigabit ports to force gigabit operation while keeping autonegotiation is enabled for compliance with IEEE 801.3.

The system requires that autonegotiation be disabled or limited for ports in a LAG to guarantee a specific port speed.

The **no** form of this command deletes the LAG from the configuration. Deleting a LAG can only be performed while the LAG is administratively shut down. Any dependencies such as IP-Interfaces configurations must be removed from the configuration before issuing the **no lag** command.

**Default** No LAGs are defined.

**Parameters** *lag-id* — The LAG identifier, expressed as a decimal integer.

**Values** 1 — 200 (7750 SR-1and 7750 SR-c12/4: 1 — 64)

## LAG Commands

### access

**Syntax** `access`

**Context** `config>lag`

**Description** This command enables the context to configure access parameters.

### adapt-qos

**Syntax** `adapt-qos {link | distribute [include-egr-hash-cfg]}`

**Context** `config>lag>access`

**Description** This command specifies how the LAG SAP queue and virtual scheduler buffering and rate parameters are adapted over multiple active XMAS/MDAs. This command applies only to access LAGs.

**Default** `distribute`

**Parameters** *type* — Specify the QoS adaptation type.

**Values**

- link** — Specifies that the LAG will create the SAP queues and virtual schedulers with the actual parameters on each LAG member port.
- distribute** — Creates an additional internal virtual scheduler per IOMXCM as parent of the configured SAP queues and virtual schedulers per LAG member port on that IOMXCM. This internal virtual scheduler limits the total amount of egress bandwidth for all member ports on the IOMXCM to the bandwidth specified in the egress qos policy.
- include-egr-hash-cfg** — Specifies whether explicitly configured hashing should factor into the egress buffering and rate distribution. When this parameter is configured, all SAPs on this LAG which have explicit hashing configured, the egress HQos and HPol (including queues, policers, schedulers and arbiters) will receive 100% of the configured bandwidth (essentially operating in adapt-qos link mode). For any Multi-Service-Sites assigned to such a LAG, bandwidth will continue to be divided according to adapt-qos distribute mode.

### per-fp-sap-instance

**Syntax** `[no] per-fp-sap-instance`

**Context** `config>lag>access`

**Description** This command enables optimized SAP instance allocation on a LAG. When enabled, SAP instance is allocated per each FP the LAG links exits on instead of per each LAG port.

The **no** form of this command disables optimized SAP instance allocation.

**Default** `no per-fp-sap-instance`

## per-fp-egr-queuing

**Syntax** [no] per-fp-egr-queuing

**Context** config>lag

**Description** This command specifies whether a more efficient method of queue allocation for LAG SAPs should be utilized.

The **no** form of the command disables the method of queue allocation for LAG SAPs.

## per-fp-ing-queuing

**Syntax** [no] per-fp-ing-queuing

**Context** config>lag

**Description** This command specifies whether a more efficient method of queue allocation for LAG SAPs should be utilized.

The **no** form of the command disables the method of queue allocation for LAG SAPs.

## bfd

**Syntax** bfd

**Context** config>lag

**Description** This command creates the bfd context and enables BFD over the associated LAG links.

## family

**Syntax** family [ipv4 | ipv6]  
no family

**Context** config>lag>bfd

**Description** This command is used to specify which address family should be used for the micro-BFD session over the associated LAG links.

**Default** None

**Parameters** **ipv4** — IPv4 encapsulation should be used for the micro-BFD session.

**ipv6** — IPv6 encapsulation should be used for the micro-BFD session.

## bfd-on-distributing-only

|                    |                                                                                                                                                                      |
|--------------------|----------------------------------------------------------------------------------------------------------------------------------------------------------------------|
| <b>Syntax</b>      | <b>[no] bfd-on-distributing-only</b>                                                                                                                                 |
| <b>Context</b>     | config>lag>bfd>family                                                                                                                                                |
| <b>Description</b> | This command enables restricting micro-BFD sessions to links in LACP state distributing. The <b>no</b> form of the command disables restricting micro-BFD sessions . |
| <b>Default</b>     | no bfd-on-distributing-only                                                                                                                                          |

## local-ip-address

|                    |                                                                                                                                                                                                                                                                                             |               |         |               |                                     |  |                   |  |                |  |               |
|--------------------|---------------------------------------------------------------------------------------------------------------------------------------------------------------------------------------------------------------------------------------------------------------------------------------------|---------------|---------|---------------|-------------------------------------|--|-------------------|--|----------------|--|---------------|
| <b>Syntax</b>      | <b>local-ip-address</b> <i>ip-address</i><br><b>no local-ip-address</b>                                                                                                                                                                                                                     |               |         |               |                                     |  |                   |  |                |  |               |
| <b>Context</b>     | config>lag>bfd>family                                                                                                                                                                                                                                                                       |               |         |               |                                     |  |                   |  |                |  |               |
| <b>Description</b> | This command is used to specify the IPv4 or IPv6 address of the BFD source. The <b>no</b> form of the command removes this address from the configuration.                                                                                                                                  |               |         |               |                                     |  |                   |  |                |  |               |
| <b>Default</b>     | no local-ip-address                                                                                                                                                                                                                                                                         |               |         |               |                                     |  |                   |  |                |  |               |
| <b>Parameters</b>  | <i>ip-address</i> — Specifies the IP address.                                                                                                                                                                                                                                               |               |         |               |                                     |  |                   |  |                |  |               |
| <b>Values</b>      | <table> <tr> <td>ipv4-address:</td> <td>a.b.c.d</td> </tr> <tr> <td>ipv6-address:</td> <td>x:x:x:x:x:x:x (eight 16-bit pieces)</td> </tr> <tr> <td></td> <td>x:x:x:x:x:d.d.d.d</td> </tr> <tr> <td></td> <td>x: [0 — FFFF]H</td> </tr> <tr> <td></td> <td>d: [0 — 255]D</td> </tr> </table> | ipv4-address: | a.b.c.d | ipv6-address: | x:x:x:x:x:x:x (eight 16-bit pieces) |  | x:x:x:x:x:d.d.d.d |  | x: [0 — FFFF]H |  | d: [0 — 255]D |
| ipv4-address:      | a.b.c.d                                                                                                                                                                                                                                                                                     |               |         |               |                                     |  |                   |  |                |  |               |
| ipv6-address:      | x:x:x:x:x:x:x (eight 16-bit pieces)                                                                                                                                                                                                                                                         |               |         |               |                                     |  |                   |  |                |  |               |
|                    | x:x:x:x:x:d.d.d.d                                                                                                                                                                                                                                                                           |               |         |               |                                     |  |                   |  |                |  |               |
|                    | x: [0 — FFFF]H                                                                                                                                                                                                                                                                              |               |         |               |                                     |  |                   |  |                |  |               |
|                    | d: [0 — 255]D                                                                                                                                                                                                                                                                               |               |         |               |                                     |  |                   |  |                |  |               |

## max-admin-down-time

|                    |                                                                                                                                                                                                                                                                                                                                                                                                                                                                                                                      |
|--------------------|----------------------------------------------------------------------------------------------------------------------------------------------------------------------------------------------------------------------------------------------------------------------------------------------------------------------------------------------------------------------------------------------------------------------------------------------------------------------------------------------------------------------|
| <b>Syntax</b>      | <b>max-admin-down-time</b> [ <i>down-interval</i>   <b>infinite</b> ]<br><b>no max-admin-down-time</b>                                                                                                                                                                                                                                                                                                                                                                                                               |
| <b>Context</b>     | config>lag>bfd>family                                                                                                                                                                                                                                                                                                                                                                                                                                                                                                |
| <b>Description</b> | This command specifies the maximum amount of time the router will continue to forward traffic over a link after the micro-BFD sessions has transitioned to a Down state because it received an ADMIN-DOWN state from the far-end. This timer provide the administrator the configured amount of time to disable or de-provision the micro-BFD session on the local node before forwarding is halted over the associated link(s). The <b>no</b> form of the command removes the time interval from the configuration. |
| <b>Default</b>     | no max-admin-down-time                                                                                                                                                                                                                                                                                                                                                                                                                                                                                               |
| <b>Parameters</b>  | <i>down-interval</i> — Specifies the amount of time, in seconds.                                                                                                                                                                                                                                                                                                                                                                                                                                                     |
| <b>Values</b>      | -1—3600                                                                                                                                                                                                                                                                                                                                                                                                                                                                                                              |

**infinite** — Specifies no end time to forward traffic.

## max-setup-time

**Syntax** **max-setup-time** [*up-interval* | **infinite**]  
**no max-setup-time**

**Context** config>lag>bfd>family

**Description** This command specifies the maximum amount of time the router will forward traffic over a link that has transitioned from Standby to Active, before the micro-BFD session must be fully established (Up state).  
The **no** form of the command returns the timer value to the default (0) which indicates that forwarding will not start until the BFD session is established.

**Default** no max-setup-time

**Parameters** *up-interval* — Specifies the amount of time, in milliseconds.

**Values** -1—60000

**infinite** — Specifies no end time to forward traffic.

## multiplier

**Syntax** **multiplier** *multiplier*  
**no multiplier**

**Context** config>lag>bfd>family

**Description** This command specifies the detect multiplier used for a micro-BFD session over the associated LAG links. If a BFD control packet is not received for a period of multiplier X receive-interval then the session is declared down.

The **no** form of the command removes multiplier from the configuration.

**Default** no multiplier

**Parameters** *multiplier* — Specifies the multiplier value.

**Values** 3—20

## receive-interval

**Syntax** **receive-interval** *receive-interval*  
**no receive-interval**

**Context** config>lag>bfd>family

**Description** This command specifies the receive timer used for micro-BFD session over the associated LAG links.

## LAG Commands

The **no** form of the command removes the receive timer from the configuration.

**Default** no receive-interval

**Parameters** *receive-interval* — Specifies the interval value, in milliseconds.

**Values** 10—100000

**Default** 100 ms for CPM3 or later, 1 sec for all other

## remote-ip-address

**Syntax** **remote-ip-address** *ip-address*  
**no remote-ip-address**

**Context** config>lag>bfd>family

**Description** This command is used to specify the IPv4 or IPv6 address of the BFD destination.  
The **no** form of the command removes this address from the configuration.

**Default** no remote-ip-address

**Parameters** *ip-address* — Specifies the IP address.

**Values**

|               |                                     |
|---------------|-------------------------------------|
| ipv4-address: | a.b.c.d                             |
| ipv6-address: | x:x:x:x:x:x:x (eight 16-bit pieces) |
|               | x:x:x:x:x:d.d.d.d                   |
|               | x: [0 — FFFF]H                      |
|               | d: [0 — 255]D                       |

## transmit-interval

**Syntax** **transmit-interval** *transmit-interval*  
**no transmit-interval**

**Context** config>lag>bfd>family

**Description** This command specifies the transmit timer used for micro-BFD session over the associated LAG links.  
The **no** form of the command removes the transmit timer from the configuration.

**Default** no transmit-interval

**Parameters** *transmit-interval* — Specifies the interval value, in milliseconds.

**Values** 10—100000

**Default** 100 ms for CPM3 or later, 1 sec for all other



## shutdown

**Syntax**    **shutdown**  
              **no shutdown**

**Context**    config>lag>bfd>family

**Description**    This command disables micro BFD sessions for this address family.  
                  The **no** form of the command re-enables micro BFD sessions for this address family.

**Default**     no transmit-interval

## dynamic-cost

**Syntax**    [no] **dynamic-cost**

**Context**    config>lag *lag-id*

**Description**    This command enables OSPF/ISIS costing of a Link Aggregation Group (LAG) based on the available aggregated, operational bandwidth.

The path cost is dynamically calculated based on the interface bandwidth. OSPF path cost can be changed through the interface metric or the reference bandwidth.

If dynamic cost is configured, then costing is applied based on the total number of links configured and the cost advertised is inversely proportional to the number of links available at the time. This is provided that the number of links that are up exceeds the configured LAG threshold value at which time the configured threshold action determines if, and at what cost, this LAG will be advertised.

For example:

Assume a physical link in OSPF has a cost associated with it of 100, and the LAG consists of four physical links. The cost associated with the logical link is 25. If one link fails then the cost would automatically be adjusted to 33.

If dynamic cost is not configured and OSPF autocost is configured, then costing is applied based on the total number of links configured. This cost will remain static provided the number of links that are up exceeds the configured LAG threshold value at which time the configured threshold action determines if and at what cost this LAG will be advertised.

If dynamic-cost is configured and OSPF autocost is not configured, the cost is determined by the cost configured on the OSPF metric provided the number of links available exceeds the configured LAG threshold value at which time the configured threshold action determines if this LAG will be advertised.

If neither dynamic-cost nor OSPF autocost are configured, the cost advertised is determined by the cost configured on the OSPF metric provided the number of links available exceeds the configured LAG threshold value at which time the configured threshold action determines if this LAG will be advertised.

The **no** form of this command removes dynamic costing from the LAG.

**Default**     no dynamic-cost

## encap-type

|                    |                                                                                                                                                                                                                                                                                                                                                                                                                                                                                                                                                                                                                                                                               |
|--------------------|-------------------------------------------------------------------------------------------------------------------------------------------------------------------------------------------------------------------------------------------------------------------------------------------------------------------------------------------------------------------------------------------------------------------------------------------------------------------------------------------------------------------------------------------------------------------------------------------------------------------------------------------------------------------------------|
| <b>Syntax</b>      | <b>encap-type</b> {dot1q   null   qinq}<br><b>no encap-type</b>                                                                                                                                                                                                                                                                                                                                                                                                                                                                                                                                                                                                               |
| <b>Context</b>     | config>lag                                                                                                                                                                                                                                                                                                                                                                                                                                                                                                                                                                                                                                                                    |
| <b>Description</b> | <p>This command configures the encapsulation method used to distinguish customer traffic on a LAG. The encapsulation type is configurable on a LAG port. The LAG port and the port member encapsulation types must match when adding a port member.</p> <p>If the encapsulation type of the LAG port is changed, the encapsulation type on all the port members will also change. The encapsulation type can be changed on the LAG port only if there is no interface associated with it. If the MTU is set to a non default value, it will be reset to the default value when the encap type is changed.</p> <p>The <b>no</b> form of this command restores the default.</p> |
| <b>Default</b>     | <b>null</b> — All traffic on the port belongs to a single service or VLAN.                                                                                                                                                                                                                                                                                                                                                                                                                                                                                                                                                                                                    |
| <b>Parameters</b>  | <p><b>dot1q</b> — Ingress frames carry 802.1Q tags where each tag signifies a different service.</p> <p><b>null</b> — Ingress frames will not use any tags to delineate a service. As a result, only one service can be configured on a port with a null encapsulation type.</p> <p><b>qinq</b> — Specifies QinQ encapsulation.</p>                                                                                                                                                                                                                                                                                                                                           |

## hold-time

|                    |                                                                                                                                                                                                                                                                                                                                                                                                                                                                          |
|--------------------|--------------------------------------------------------------------------------------------------------------------------------------------------------------------------------------------------------------------------------------------------------------------------------------------------------------------------------------------------------------------------------------------------------------------------------------------------------------------------|
| <b>Syntax</b>      | <b>hold-time down</b> <i>hold-down-time</i><br><b>no hold-time</b>                                                                                                                                                                                                                                                                                                                                                                                                       |
| <b>Context</b>     | config>lag                                                                                                                                                                                                                                                                                                                                                                                                                                                               |
| <b>Description</b> | <p>This command specifies the timer, in tenths of seconds, which controls the delay between detecting that a LAG is down (all active ports are down) and reporting it to the higher levels.</p> <p>A non-zero value can be configured, for example, when active/standby signalling is used in a 1:1 fashion to avoid informing higher levels during the small time interval between detecting that the LAG is down and the time needed to activate the standby link.</p> |
| <b>Default</b>     | 0                                                                                                                                                                                                                                                                                                                                                                                                                                                                        |
| <b>Parameters</b>  | <b>down</b> <i>hold-down-time</i> — Specifies the hold-time for event reporting                                                                                                                                                                                                                                                                                                                                                                                          |
| <b>Values</b>      | 0 — 2000                                                                                                                                                                                                                                                                                                                                                                                                                                                                 |

## lacp

|                    |                                                                                                                                                                                                                                                                                                                                                                                                                                                                                                                                                                                                                                                                                                                                       |
|--------------------|---------------------------------------------------------------------------------------------------------------------------------------------------------------------------------------------------------------------------------------------------------------------------------------------------------------------------------------------------------------------------------------------------------------------------------------------------------------------------------------------------------------------------------------------------------------------------------------------------------------------------------------------------------------------------------------------------------------------------------------|
| <b>Syntax</b>      | <b>lacp</b> [ <i>mode</i> ] [ <b>administrative-key</b> <i>admin-key</i> ] [ <b>system-id</b> <i>system-id</i> ][ <b>system-priority</b> <i>priority</i> ]                                                                                                                                                                                                                                                                                                                                                                                                                                                                                                                                                                            |
| <b>Context</b>     | config>lag                                                                                                                                                                                                                                                                                                                                                                                                                                                                                                                                                                                                                                                                                                                            |
| <b>Description</b> | This command specifies the LACP mode for aggregated Ethernet interfaces only. This command enables the LACP protocol. Per the IEEE 802.3ax standard (formerly 802.3ad), the Link Aggregation Control Protocol (LACP) provides a standardized means for exchanging information between Partner Systems on a link to allow their Link Aggregation Control instances to reach agreement on the identity of the Link Aggregation Group to which the link belongs, move the link to that Link Aggregation Group, and enable its transmission and reception functions in an orderly manner.                                                                                                                                                 |
| <b>Default</b>     | no lacp                                                                                                                                                                                                                                                                                                                                                                                                                                                                                                                                                                                                                                                                                                                               |
| <b>Parameters</b>  | <i>mode</i> — Specifies the mode in which LACP will operate. <ul style="list-style-type: none"> <li><b>Values</b>     <b>passive</b> — Starts transmitting LACP packets only after receiving packets.</li> <li>              <b>active</b> — Initiates the transmission of LACP packets.</li> <li>              <b>power-off</b> — Disables transmitter of standby ports.</li> </ul> <b>administrative-key</b> <i>admin-key</i> — Specifies an administrative key value to identify the channel group on each port configured to use LACP. This value should be configured only in exceptional cases. If it is not specified, a random key is assigned. <ul style="list-style-type: none"> <li><b>Values</b>     1 — 65535</li> </ul> |

## lacp-xmit-interval

|                    |                                                                                                               |
|--------------------|---------------------------------------------------------------------------------------------------------------|
| <b>Syntax</b>      | <b>lacp-xmit-interval</b> { <b>slow</b>   <b>fast</b> }                                                       |
| <b>Context</b>     | config>lag                                                                                                    |
| <b>Description</b> | This command specifies the interval signaled to the peer and tells the peer at which rate it should transmit. |
| <b>Default</b>     | fast                                                                                                          |
| <b>Parameters</b>  | <b>slow</b> — Transmits packets every 30 seconds.<br><b>fast</b> — Transmits packets every second.            |

## lacp-xmit-stdby

|                    |                                                                                                                                                                                                                                                                                                                                                                                                    |
|--------------------|----------------------------------------------------------------------------------------------------------------------------------------------------------------------------------------------------------------------------------------------------------------------------------------------------------------------------------------------------------------------------------------------------|
| <b>Syntax</b>      | [ <b>no</b> ] <b>lacp-xmit-stdby</b>                                                                                                                                                                                                                                                                                                                                                               |
| <b>Context</b>     | config>lag                                                                                                                                                                                                                                                                                                                                                                                         |
| <b>Description</b> | This command enables LACP message transmission on standby links.<br><br>The <b>no</b> form of this command disables LACP message transmission. This command should be disabled for compatibility when using active/standby groups. This forces a timeout of the standby links by the peer. Use the <b>no</b> form if the peer does not implement the correct behavior regarding the lacp sync bit. |

## LAG Commands

**Default** lacp-xmit-stdby

### link-map-profile

**Syntax** **link-map-profile** *link-map-profile-id* [**create**]  
**no link-map-profile** *link-map-profile-id*

**Context** config>lag

**Description** This command creates the link map profile that can to control which LAG ports are to be used on egress or enables the configuration context for previously created link map profile.

The **no** form of this command, deletes the specified link map profile.

**Default** Link-map-profiles are not created by default.

**Parameters** *link-map-profile-id* — An integer from 1 to 64 that defines a unique lag link map profile on this LAG.

### link

**Syntax** **link** *port-id* {**primary**|**secondary**}  
**no primary-link**

**Context** config>lag>link>map>profile

**Description** This command designates one of the configured ports of the LAG to be used on egress as either a primary or secondary link (based on the option selected) by all SAPs/network interfaces that use this LAG link map profile.

The **no** form of this command deletes the link from this LAG link mapping profile. A port must be deleted from all lag link profiles if it is to be deleted from the LAG.

**Default** Links are part of a profile.

**Notes** When a link gets added/deleted, all SAPs/network interfaces that use this link-map-profile may be re-hashed if required.

**Parameters** *port-id* — A physical port Id in the slot/mda/port format that is an existing member of this LAG.

**primary** — Designates one of the configured ports of the LAG to be used on egress as a primary link by SAPs/network interfaces that use this LAG link map profile.

**secondary** — Designates one of the configured ports of the LAG to be used on egress as a secondary link by SAPs/network interfaces that use this LAG link map profile.

## failure-mode

|                    |                                                                                                                                                                                                                                                                                                                                                                                                                                                                                                                                                                                                                                                                                                                                                                                                                                                                                                                             |
|--------------------|-----------------------------------------------------------------------------------------------------------------------------------------------------------------------------------------------------------------------------------------------------------------------------------------------------------------------------------------------------------------------------------------------------------------------------------------------------------------------------------------------------------------------------------------------------------------------------------------------------------------------------------------------------------------------------------------------------------------------------------------------------------------------------------------------------------------------------------------------------------------------------------------------------------------------------|
| <b>Syntax</b>      | <b>failure-mode</b> [ <b>discard</b>   <b>per-link-hash</b> ]<br><b>no failure-mode</b>                                                                                                                                                                                                                                                                                                                                                                                                                                                                                                                                                                                                                                                                                                                                                                                                                                     |
| <b>Context</b>     | config>lag>link>map>profile                                                                                                                                                                                                                                                                                                                                                                                                                                                                                                                                                                                                                                                                                                                                                                                                                                                                                                 |
| <b>Description</b> | This command defines the failure mode for egress traffic of SAPs/network interfaces that use this link-map-profile when neither primary nor secondary links of this profile are available.<br>Options include: <ul style="list-style-type: none"> <li>• <b>discard</b> – egress traffic for SAPs/network interfaces using this link-map-profile is discarded to protect SAP/network interface traffic on other LAG links from impact of re-hashing the affected SAPs/network interfaces</li> <li>• <b>per-link-hash</b> – egress traffic for SAPs/network interfaces using this link-map-profile is rehashed on remaining, available LAG links using per-link-hash algorithm. SAP/network interface QoS configurations dictate what traffic is discarded on any link that may become oversubscribed as result of the re-hash.</li> </ul> <p>The <b>no</b> form of this command restores the default failure-mode value.</p> |
| <b>Default</b>     | <b>failure-mode per-link-hash</b>                                                                                                                                                                                                                                                                                                                                                                                                                                                                                                                                                                                                                                                                                                                                                                                                                                                                                           |

## port

|                    |                                                                                                                                                                                                                                                                                                                                                                                                                                                                                                                                                                                                                                                                               |
|--------------------|-------------------------------------------------------------------------------------------------------------------------------------------------------------------------------------------------------------------------------------------------------------------------------------------------------------------------------------------------------------------------------------------------------------------------------------------------------------------------------------------------------------------------------------------------------------------------------------------------------------------------------------------------------------------------------|
| <b>Syntax</b>      | <b>port</b> <i>port-id</i> [ <i>port-id ...</i> ] [ <b>priority</b> <i>priority</i> ] [ <b>subgroup</b> <i>sub-group-id</i> ]<br><b>no port</b> <i>port-id</i> [ <i>port-id ...</i> ]                                                                                                                                                                                                                                                                                                                                                                                                                                                                                         |
| <b>Context</b>     | config>lag>port                                                                                                                                                                                                                                                                                                                                                                                                                                                                                                                                                                                                                                                               |
| <b>Description</b> | This command adds ports to a Link Aggregation Group (LAG).<br>The port configuration of the first port added to the LAG is used as a basis to compare to subsequently added ports. If a discrepancy is found with a newly added port, that port will not be added to the LAG.<br>Multiple (space separated) ports can be added or removed from the LAG link assuming the maximum of number of ports is not exceeded.<br>Ports that are part of a LAG must be configured with auto-negotiate limited or disabled.<br>The <b>no</b> form of this command removes ports from the LAG.                                                                                            |
| <b>Default</b>     | No ports are defined as members of a LAG.                                                                                                                                                                                                                                                                                                                                                                                                                                                                                                                                                                                                                                     |
| <b>Parameters</b>  | <i>port-id</i> — The port ID configured or displayed in the <i>slot/mda/port</i> format.<br>Note that the maximum number of ports in a LAG depends on platform-type, H/W deployed, and SROS S/W release. Adding a port over the maximum allowed per given router/switch is blocked. Some platforms support double port scale for some port types on LAGs with lag-id in the range of 1-64 inclusive.<br><b>Values</b> slot/mda/port<br><b>priority</b> <i>priority</i> — Port priority used by LACP. The port priority is also used to determine the primary port. The port with the lowest priority is the primary port. In the event of a tie, the smallest port ID becomes |

the primary port.

**Values** 1 — 65535

**subgroup** *sub-group-id* — This parameter identifies a LAG subgroup. When using subgroups in a LAG, they should only be configured on one side of the LAG, not both. Only having one side perform the active/standby selection will guarantee a consistent selection and fast convergence. The active/standby selection will be signalled through LACP to the other side. The hold time should be configured when using subgroups to prevent the LAG going down when switching between active and standby subgroup since momentarily all ports are down in a LAG (break-before-make).

**Values** 1 — 8 identifies a LAG subgroup.

The **auto-iom** subgroup is defined based on the IOM (all ports of the same IOM are assigned to the same subgroup).

The **auto-mds** subgroup is defined based on the MDA. (all ports of the same MDA are assigned to the same subgroup).

## port-threshold

**Syntax** **port-threshold** *value* [**action** {**dynamic-cost** | **down**}  
**no port-threshold**

**Context** config>lag *lag-id*

**Description** This command configures the behavior for the Link Aggregation Group (LAG) if the number of operational links is equal to or below a threshold level.

The **no** form of this command reverts to the default values.

**Default** 0 action down

**Parameters** *value* — The decimal integer threshold number of operational links for the LAG at or below which the configured action will be invoked. If the number of operational links exceeds the port-threshold value, any action taken for being below the threshold value will cease.

**Values** 0 — 63

**action** {**dynamic-cost** | **down**} — Specifies the action to take if the number of active links in the LAG is at or below the threshold value.

When the **dynamic-cost** action is specified, then dynamic costing will be activated. As a result the LAG will remain operationally up with a cost relative to the number of operational links. The link will only be regarded as operationally down when all links in the LAG are down.

When the **down** action is specified, then the LAG will be brought operationally down if the number of operational links is equal to or less than the configured threshold value. The LAG will only be regarded as up once the number of operational links exceeds the configured threshold value.

## port-type

|                    |                                                                                                                                                               |
|--------------------|---------------------------------------------------------------------------------------------------------------------------------------------------------------|
| <b>Syntax</b>      | <b>port-type</b> { <b>standard</b>   <b>hsmdda</b> }<br><b>no port-type</b>                                                                                   |
| <b>Context</b>     | config>lag                                                                                                                                                    |
| <b>Description</b> | This command specifies the type of ports allowed in this LAG.                                                                                                 |
| <b>Parameters</b>  | <b>standard</b> — Allows all non-HSMDA type ports to be added to this LAG.<br><b>hsmdda</b> — Limits the LAG members to be high-speed MDA (HSMDA) ports only. |

## selection-criteria

|                    |                                                                                                                                                                                                                                                                                                                                                                                                                                                                                                                                                                                                                                                                                                                                                                                                                                                                                                                                                                                                                                                                                                                                                                                                                                                                                                                                                                                                                                                                                                                                                                                                                                                                                                                                                                                                    |
|--------------------|----------------------------------------------------------------------------------------------------------------------------------------------------------------------------------------------------------------------------------------------------------------------------------------------------------------------------------------------------------------------------------------------------------------------------------------------------------------------------------------------------------------------------------------------------------------------------------------------------------------------------------------------------------------------------------------------------------------------------------------------------------------------------------------------------------------------------------------------------------------------------------------------------------------------------------------------------------------------------------------------------------------------------------------------------------------------------------------------------------------------------------------------------------------------------------------------------------------------------------------------------------------------------------------------------------------------------------------------------------------------------------------------------------------------------------------------------------------------------------------------------------------------------------------------------------------------------------------------------------------------------------------------------------------------------------------------------------------------------------------------------------------------------------------------------|
| <b>Syntax</b>      | <b>selection-criteria</b> { <b>highest-count</b>   <b>highest-weight</b>   <b>best-port</b> } [ <b>slave-to-partner</b> ] [ <b>subgroup-hold-time</b> <i>hold-time</i> ]<br><b>no selection-criteria</b>                                                                                                                                                                                                                                                                                                                                                                                                                                                                                                                                                                                                                                                                                                                                                                                                                                                                                                                                                                                                                                                                                                                                                                                                                                                                                                                                                                                                                                                                                                                                                                                           |
| <b>Context</b>     | config>lag                                                                                                                                                                                                                                                                                                                                                                                                                                                                                                                                                                                                                                                                                                                                                                                                                                                                                                                                                                                                                                                                                                                                                                                                                                                                                                                                                                                                                                                                                                                                                                                                                                                                                                                                                                                         |
| <b>Description</b> | This command specifies which selection criteria should be used to select the active sub-group.                                                                                                                                                                                                                                                                                                                                                                                                                                                                                                                                                                                                                                                                                                                                                                                                                                                                                                                                                                                                                                                                                                                                                                                                                                                                                                                                                                                                                                                                                                                                                                                                                                                                                                     |
| <b>Default</b>     | highest-count                                                                                                                                                                                                                                                                                                                                                                                                                                                                                                                                                                                                                                                                                                                                                                                                                                                                                                                                                                                                                                                                                                                                                                                                                                                                                                                                                                                                                                                                                                                                                                                                                                                                                                                                                                                      |
| <b>Parameters</b>  | <p><b>highest-count</b> — Selects a sub-group with the highest number of eligible members as an active sub-group (not applicable to “power-off” mode of operations).</p> <p><b>highest-weight</b> — Selects a sub-group with the highest aggregate weight as an active subgroup (not applicable to “power-off” mode of operations).</p> <p><b>best-port</b> — Selects a sub-group containing the port with highest priority port as an active subgroup. In case of equal port priorities, the sub-group containing the port with the lowest port-id is chosen.</p> <p><b>slave-to-partner</b> — The <b>slave-to-partner</b> keyword specifies that it, together with the selection criteria, should be used to select the active sub-group. An eligible member is a lag-member link which can potentially become active. This means it is operationally up (not disabled) for use by the remote side. The <b>slave-to-partner</b> parameter can be used to control whether or not this latter condition is taken into account.</p> <p><b>subgroup-hold-time</b> <i>hold-time</i> — Applicable with LACP enabled. Specifies the optional delay timer for switching to a newly selected active sub-group from the existing active sub-group. The timer delay applies only if the existing sub-group remains operationally up.</p> <p><b>Values</b>     <b>not specified</b> – Equivalent to specifying a value of 0. Specifies no delay and to switchover immediately to a new candidate active sub-group.</p> <p><b>Values</b>     0..2000 – Integer specifying the timer value in 10ths of a second.</p> <p><b>Values</b>     <b>infinite</b> – Do not switchover from existing active sub-group if the subgroup remains UP. Manual switchover possible using tools perform lag force command.</p> |

## standby-signalling

**Syntax** `standby-signalling {lacp | power-off}`  
`no standby-signalling`

**Context** config>lag

**Description** This command specifies how the state of a member port is signalled to the remote side when the status corresponding to this member port has the **standby** value.



---

## Eth Ring Commands

### eth-ring

|                    |                                                                                                                                                                                                                                                                                                                    |
|--------------------|--------------------------------------------------------------------------------------------------------------------------------------------------------------------------------------------------------------------------------------------------------------------------------------------------------------------|
| <b>Syntax</b>      | <b>eth-ring</b> <i>ring-id</i><br><b>no eth-ring</b>                                                                                                                                                                                                                                                               |
| <b>Context</b>     | config                                                                                                                                                                                                                                                                                                             |
| <b>Description</b> | This command configures a G.8032 protected Ethernet ring. G.8032 Rings may be configured as major rings with two paths (a&b) or as Sub-Rings with two paths or in the case of an interconnection node a single path.<br><br>The <b>no</b> form of this command deletes the Ethernet ring specified by the ring-id. |
| <b>Default</b>     | no eth-ring                                                                                                                                                                                                                                                                                                        |
| <b>Parameters</b>  | <i>ring-id</i> — Specifies the ring ID.<br><br><b>Values</b> 1-128                                                                                                                                                                                                                                                 |

### description

|                    |                                                                                                              |
|--------------------|--------------------------------------------------------------------------------------------------------------|
| <b>Syntax</b>      | <b>description</b> <i>long-description-string</i><br><b>no description</b>                                   |
| <b>Context</b>     | config>eth-ring                                                                                              |
| <b>Description</b> | This command adds a text description for the ring. The no form of this command removes the text description. |
| <b>Default</b>     | “Eth ring”                                                                                                   |
| <b>Parameters</b>  | <i>string</i> — Specifies the text description up to 160 characters in length.                               |

### guard-time

|                    |                                                                                                                                                                                                            |
|--------------------|------------------------------------------------------------------------------------------------------------------------------------------------------------------------------------------------------------|
| <b>Syntax</b>      | <b>guard-time</b> <i>time</i><br><b>no guard-time</b>                                                                                                                                                      |
| <b>Context</b>     | config>eth-ring                                                                                                                                                                                            |
| <b>Description</b> | This command configures the guard time for an Eth-Ring. The guard timer is standard and is configurable from “x”ms to 2 seconds<br><br>The <b>no</b> form of this command restores the default guard-time. |
| <b>Default</b>     | 5 deciseconds                                                                                                                                                                                              |

## Eth Ring Commands

**Parameters** *value* — Specifies the guard-time.  
**Values** 1-20 deciseconds

### revert-time

**Syntax** **revert-time** *time*  
**no revert-time**

**Context** config>eth-ring

**Description** This command configures the revert time for an Eth-Ring. It ranges from 60 seconds to 720 second by 1 second intervals.

The no form of this command this command means non-revertive mode and revert time essentially is 0 meaning the revert timers are not set.

**Default** 300 seconds

**Parameters** *value* — Specifies the guard-time.  
**Values** 60 — 720 seconds

### ccm-hold-time

**Syntax** **ccm-hold-time** {**down** *down-timeout* | **up** *up-timeout*}  
**no ccm-hold-time**

**Context** config>eth-ring

This command configures eth-ring dampening timers.

The **no** form of this command set the up and down timer to the default values.

### down

**Syntax** **down** *down-timeout*

**Context** config>eth-ring>ccm-hold-time

This command specifies the timer, which controls the delay between detecting that ring path is down and reporting it to the G.8032 protection module. If a non-zero value is configured, the CPM will wait for the time specified in the value parameter before reporting it to the G.8032 protection module.

**Note:** This parameter applies only to ring path CCM. It does NOT apply to the ring port link state. To damp ring port link state transitions, use hold-time parameter from the physical member port.

**Default** 0 - the fault will be reported immediately to the protection module.

**Parameters** *value* — Specifies the down timeout.  
**Values** 0-5000 centiseconds

## up

**Syntax** **up** *up-timeout*

**Context** config>eth-ring>ccm-hold-time

This command specifies the timer, which controls the delay between detecting that ring path is up and reporting it to the G.8032 protection module. If a non-zero value is configured, the CPM will wait for the time specified in the value parameter before reporting it to the G.8032 protection module.

**Note:** This parameter applies only to ring path CCM. It does NOT apply to the member port link state. To damp member port link state transitions, use hold-time parameter from the physical member port.

**Default** 20 deciseconds

**Parameters** *value* — Specifies the hold-time for reporting the recovery.  
**Values** 0-5000 deciseconds

## rpl-node

**Syntax** **rpl-node** [owner | nbr]  
**no rpl-node**

**Context** config>eth-ring

This command configures the G.8032 ring protection link type as owner or neighbor. The no form of the command means this node is not connected to an RPL link. When RPL owner or neighbor is specified either the a or b path must be configured with the RPL end command. An owner is responsible for operation of the rpl link. Configuring the RPL as neighbor is optional (can be left as no rpl-node) but if the command is used the nbr is mandatory. On a Sub-ring without virtual channel it is recommended not to configure the rpl-node nbr since this will block additional RAPS messages on the RPL link. By not configuring this mode RPL messages on sub-rings are processed on RPL links.

The **no** form of this command removes the RPL link.

**Default** no rpl-node

## Eth Ring Commands

### node-id

**Syntax**    **node-id** *mac*  
**no node-id**

**Context**    config>eth-ring

This optional command configures the MAC address of the RPL control. The default is to use the chassis MAC for the ring control. This command allows the chassis MAC to be overridden with another MAC address.

The no form of this command removes the RPL link.

**Default**    no node-id

**Parameters**    *mac* — xx:xx:xx:xx:xx:xx or xx-xx-xx-xx-xx-xx

### sub-ring

**Syntax**    **sub-ring** {*virtual-link* | *non-virtual-link*}  
**no sub-ring**

**Context**    config>eth-ring>sub-ring

This command additionally specifies this ring-id to be sub-ring as defined in G.80312. By declaring this ring as a sub-ring object, this ring will only have one valid path and the sub-ring will be connected to a major ring or a VPLS instance. The virtual-link parameter declares that a sub-ring is connected to another ring and that control messages can be sent over the attached ring to the other side of the sub-ring. The non-virtual channel parameter declares that a sub-ring may be connected to a another ring or to a VPLS instance but that no control messages from the sub-ring use the attached ring or VPLS instance. The non-virtual channel behavior is standard G.8032 capability.

The no form of this command deletes the sub-ring and its virtual channel associations.

**Default**    no sub-ring

**Parameters**    *virtual-link* — Specifies the interconnection is to a ring and a virtual link will be used.

*non-virtual-link* — Specifies the interconnection is to a ring or a VPLS instance and a virtual link will not be used.

### compatible-version

**Syntax**    **compatible-version** *value*  
**compatible-version**

**Context**    config>eth-ring

This command configures eth-ring compatibility version for the G.8032 state machine and messages. The default is version 2 and all 7x50 switches use version 2. If there is a need to interwork with third party devices that only support version 1 this can be set to version 1.

The [no] form of this command set the compatibility version to 2.

**Default** 2

**Parameters** *value* — The version 2 of the G.8032 state machine.

## interconnect

**Syntax** **interconnect {ring-id *ring-id* | vpls}**  
**interconnect**

**Context** config>eth-ring>sub-ring>interconnect

This command links the G.8032 sub-ring to a ring instance or to a VPLS instance. The ring instance must be a complete ring with two paths but may itself be a sub-ring or a major ring (declared by its configuration on another node). When the interconnection is to another node, the sub-ring may have a virtual link or a non-virtual-link. When the sub-ring has been configured with a non-virtual link, the sub ring may be alternatively be connected to a VPLS service. This command is only valid on the interconnection node where a single sub-ring port connects to a major ring or terminates on a VPLS service.

The **no** form of this command removes interconnect node.

**Default** no interconnect

**Parameters** *ring-id* — Specifies the ring instance of the connection ring for this sub-ring on this node.

*vpls* — Specifies that the sub- ring is connected to the VPLS instance that contains the sub-ring SAP.

**Values** *ring-id*: 0-128

## propagate-topology-change

**Syntax** **propagate-topology-change**  
**no interconnect**

**Context** config>eth-ring>propagate-topology-change

This command configures the G.8032 sub-ring to propagate topology changes. From the sub-ring to the major ring as specified in the G.8032 interconnection flush logic. This command is only valid on the sub-ring and on the interconnection node. Since this command is only valid on a Sub-ring, a virtual link or non-virtual link must be specified for this command to be configured. The command is blocked on major rings (when both path a and b are specified on a ring).

The **no** form of this command sets propagate to the default

**Default** no propagate-topology-change

## Eth Ring Commands

### path

|                    |                                                                                                                                                                                                       |
|--------------------|-------------------------------------------------------------------------------------------------------------------------------------------------------------------------------------------------------|
| <b>Syntax</b>      | <b>path</b> {a   b} <i>portid</i> <b>raps-tag</b> <i>VID</i><br><b>no path</b> {a   b}                                                                                                                |
| <b>Context</b>     | config>eth-ring                                                                                                                                                                                       |
| <b>Description</b> | This command assigns the ring (major or sub-ring) path to a port and defines the Ring APS tag. Rings typically have two paths a and b.<br>The <b>no</b> form of this command removes the path a or b. |
| <b>Default</b>     | no path                                                                                                                                                                                               |
| <b>Parameters</b>  | <i>raps-tag</i> <i>VID</i> — Specifies the VID.<br><b>Values</b> Dot1q: 1-4094<br><b>Values</b> QinQ: 1-4094.1-4094                                                                                   |

### description

|                    |                                                                                                                   |
|--------------------|-------------------------------------------------------------------------------------------------------------------|
| <b>Syntax</b>      | <b>description</b> <i>long-description-string</i><br><b>no description</b>                                        |
| <b>Context</b>     | config>eth-ring>path                                                                                              |
| <b>Description</b> | This command adds a text description for the ring path. The no form of this command removes the text description. |
| <b>Default</b>     | ""                                                                                                                |
| <b>Parameters</b>  | <i>string</i> — Specifies the text description up to 160 characters in length.                                    |

### rpl-end

|                    |                                                                                                                                                                                                                                                                                                   |
|--------------------|---------------------------------------------------------------------------------------------------------------------------------------------------------------------------------------------------------------------------------------------------------------------------------------------------|
| <b>Syntax</b>      | [no] <b>rpl-end</b>                                                                                                                                                                                                                                                                               |
| <b>Context</b>     | config>eth-ring                                                                                                                                                                                                                                                                                   |
| <b>Description</b> | This command configures the G.8032 path as a ring protection link end. The ring should be declared as either a RPL owner or RPL neighbor for this command to be allowed. Only path a or path b can be declared an RPL-end.<br>The no form of this command sets the rpl-end to default no rpl-end. |
| <b>Default</b>     | no rpl-end                                                                                                                                                                                                                                                                                        |

## eth-cfm

**Syntax** **eth-cfm**

**Context** config>eth-ring>path

**Description** This command enables the context to configure ETH-CFM parameters.

## mep

**Syntax** [**no**] **mep** *mep-id* **domain** *md-index* **association** *ma-index*

**Context** config>eth-ring>path>eth-cfm

**Description** This command provisions an 802.1ag maintenance endpoint (MEP).  
The **no** form of the command deletes the MEP.

**Parameters** *mep-id* — Specifies the maintenance association end point identifier.

**Values** 1 — 81921

*md-index* — Specifies the maintenance domain (MD) index value.

**Values** 1 — 4294967295

*ma-index* — Specifies the MA index value.

**Values** 1 — 4294967295

## ccm-enable

**Syntax** [**no**] **ccm-enable**

**Context** config>eth-ring>path>eth-cfm>mep

**Description** This command enables the generation of CCM messages.  
The **no** form of the command disables the generation of CCM messages.

## ccm-ltm-priority

**Syntax** **ccm-ltm-priority** *priority*  
**no ccm-ltm-priority**

**Context** config>eth-ring>path>eth-cfm>mep

**Description** This command specifies the priority value for CCMs and LTMs transmitted by the MEP.  
The **no** form of the command removes the priority value from the configuration.

**Default** The highest priority on the bridge-port.

## Eth Ring Commands

**Parameters** *priority* — Specifies the priority of CCM and LTM messages.

**Values** 0 — 7

### eth-test-enable

**Syntax** [no] **eth-test-enable**

**Context** config>eth-ring>path>eth-cfm>mep

**Description** This command enables eth-test functionality on MEP. For this test to work, operators need to configure ETH-test parameters on both sender and receiver nodes. The ETH-test then can be done using the following OAM commands:

```
oam eth-cfm eth-test mac-address mep mep-id domain md-index association ma-index [priority priority]
[data-length data-length]
```

A check is done for both the provisioning and test to ensure the MEP is an Y.1731 MEP (MEP provisioned with domain format none, association format icc-based). If not, the operation fails. An error message in the CLI and SNMP will indicate the problem.

### test-pattern

**Syntax** **test-pattern** {**all-zeros** | **all-ones**} [**crc-enable**]  
**no test-pattern**

**Context** config>eth-ring>path>eth-cfm>mep>eth-test-enable

**Description** This command configures the test pattern for eth-test frames.  
The **no** form of the command removes the values from the configuration.

**Parameters** **all-zeros** — Specifies to use all zeros in the test pattern.  
**all-ones** — Specifies to use all ones in the test pattern.  
**crc-enable** — Generates a CRC checksum.

**Default** all-zeros

### bit-error-threshold

**Syntax** **bit-error-threshold** *bit-errors*

**Context** config>eth-ring>path>eth-cfm>mep

**Description** This command specifies the lowest priority defect that is allowed to generate a fault alarm.

**Default** 1



**Parameters** *bit-errors* — Specifies the lowest priority defect.

**Values** 0 — 11840

## mac-address

**Syntax** **mac-address** *mac-address*  
**no mac-address**

**Context** config>eth-ring>path>eth-cfm>mep

**Description** This command specifies the MAC address of the MEP.

The **no** form of this command reverts the MAC address of the MEP back to that of the port (if the MEP is on a SAP) or the bridge (if the MEP is on a spoke SDP).

**Parameters** *mac-address* — Specifies the MAC address of the MEP.

**Values** 6-byte unicast mac-address (xx:xx:xx:xx:xx:xx or xx-xx-xx-xx-xx-xx) of the MEP. Using the all zeros address is equivalent to the no form of this command.

## one-way-delay-threshold

**Syntax** **one-way-delay-threshold** *time*

**Context** config>eth-ring>path>eth-cfm>mep

**Description** This command enables one way delay threshold time limit.

**Default** 3 seconds

**Parameters** *priority* — Specifies the value for the threshold.

**Values** 0 — 600

## shutdown

**Syntax** [**no**] **shutdown**

**Context** config>eth-ring>path>eth-cfm>mep

**Description** This command administratively enables or disables the MEP.

The **no** form of this command disables or enables the MEP.

**Default** shutdown

## Eth Ring Commands

### shutdown

**Syntax** [no] shutdown

**Context** config>eth-ring>path  
config>eth-ring

**Description** This command administratively enables or disables the path.  
The **no** form of this command disables or enables the path.

**Default** shutdown

### shutdown

**Syntax** [no] shutdown

**Context** config>eth-ring

**Description** This command administratively enables/disables the ethernet ring.  
The **no** form of this command disables/enables the path.

**Default** shutdown

---

## Eth Tunnel Commands

### eth-tunnel

|                    |                                                                                                                                                                   |
|--------------------|-------------------------------------------------------------------------------------------------------------------------------------------------------------------|
| <b>Syntax</b>      | <b>eth-tunnel</b> <i>tunnel-id</i><br><b>no eth-tunnel</b>                                                                                                        |
| <b>Context</b>     | config                                                                                                                                                            |
| <b>Description</b> | This command configures a G.8031 protected Ethernet tunnel.<br>The <b>no</b> form of this command deletes the Ethernet tunnel specified by the <i>tunnel-id</i> . |
| <b>Default</b>     | no eth-tunnel                                                                                                                                                     |
| <b>Parameters</b>  | <i>tunnel-id</i> — Specifies the tunnel ID.<br><b>Values</b> 1 — 64                                                                                               |

### ccm-hold-time

|                    |                                                                                                                                                                                                                                                                                        |
|--------------------|----------------------------------------------------------------------------------------------------------------------------------------------------------------------------------------------------------------------------------------------------------------------------------------|
| <b>Syntax</b>      | <b>ccm-hold-time</b> { <b>down</b> <i>down-timeout</i>   <b>up</b> <i>up-timeout</i> }<br><b>no ccm-hold-time</b>                                                                                                                                                                      |
| <b>Context</b>     | config>eth-tunnel                                                                                                                                                                                                                                                                      |
| <b>Description</b> | This command configures eth-tunnel CCM dampening timers.<br>The no form of the command reverts to the default.                                                                                                                                                                         |
| <b>Default</b>     | no ccm-hold-time                                                                                                                                                                                                                                                                       |
| <b>Parameters</b>  | <b>down</b> <i>down-timeout</i> — Species the eth-tunnel CCM down timers.<br><b>Values</b> 0 — 1000 in 100ths of seconds<br><b>Default</b> 0<br><b>up</b> <i>up-timeout</i> — Species the eth-tunnel CCM up timers.<br><b>Values</b> 0 — 5000 in 10ths of seconds<br><b>Default</b> 20 |

### description

|                    |                                                                                                                              |
|--------------------|------------------------------------------------------------------------------------------------------------------------------|
| <b>Syntax</b>      | <b>description</b> <i>long-description-string</i><br><b>no description</b>                                                   |
| <b>Context</b>     | config>eth-tunnel                                                                                                            |
| <b>Description</b> | This command adds a text description for the eth-tunnel.<br>The <b>no</b> form of this command removes the text description. |
| <b>Default</b>     | “Eth-tunnel”                                                                                                                 |
| <b>Parameters</b>  | <i>string</i> — Specifies the text description up to 160 characters in length.                                               |

### ethernet

|                    |                                                                       |
|--------------------|-----------------------------------------------------------------------|
| <b>Syntax</b>      | <b>ethernet</b>                                                       |
| <b>Context</b>     | config>eth-tunnel                                                     |
| <b>Description</b> | This command is the node where Ethernet parameters can be configured. |

### encap-type

|                    |                                                                                              |
|--------------------|----------------------------------------------------------------------------------------------|
| <b>Syntax</b>      | <b>encap-type</b> {dot1q qinq}<br><b>no encap-type</b>                                       |
| <b>Context</b>     | config>eth-tunnel>ethernet                                                                   |
| <b>Description</b> | This command configures the encapsulation method.                                            |
| <b>Parameters</b>  | <b>dot1q</b> — Specifies dot1q encapsulation.<br><b>qinq</b> — Specifies qinq encapsulation. |

### mac

|                    |                                                                                                                                                                                                                                                                                                                                                                                                                                                                                                                                |
|--------------------|--------------------------------------------------------------------------------------------------------------------------------------------------------------------------------------------------------------------------------------------------------------------------------------------------------------------------------------------------------------------------------------------------------------------------------------------------------------------------------------------------------------------------------|
| <b>Syntax</b>      | <b>[no] mac</b> <i>ieee-address</i>                                                                                                                                                                                                                                                                                                                                                                                                                                                                                            |
| <b>Context</b>     | config>eth-tunnel>ethernet                                                                                                                                                                                                                                                                                                                                                                                                                                                                                                     |
| <b>Description</b> | This command assigns a specific MAC address to an Ethernet port, Link Aggregation Group (LAG), Ethernet tunnel or BCP-enabled port or sub-port. Only one MAC address can be assigned to a port. When multiple mac commands are entered, the last command overwrites the previous command. When the command is issued while the port is operational, IP will issue an ARP, if appropriate, and BPDUs are sent with the new MAC address.<br><br>The <b>no</b> form of this command returns the MAC address to the default value. |

**Default** A default MAC address is assigned by the system from the chassis MAC address pool.

## hold-time

**Syntax** **hold-time**

**Context** config>eth-tunnel

**Description** This command configures eth-tunnel dampening timers.

## member

**Syntax** **member down** *time*  
**no member**

**Context** config>eth-tunnel>hold-time

**Description** A default MAC address is assigned by the system from the chassis MAC address pool. This command specifies the timer, which controls the delay between detecting that member path is down and reporting it to the G.8031 protection module. If a non-zero value is configured, the CPM will wait for the time specified in the value parameter before reporting it to the G.8031 protection module. Note that this parameter applies only to member path CCM. It does NOT apply to the member port link state. To damp member port link state transitions, use hold-time parameter from the physical member port.

The **no** form of this command sets the hold-time to the default value.

**Default** no member - the fault will be reported immediately to the protection module.

**Parameters** *value* — Specifies the hold-time for reporting the failure.

**Values** 1-1000 centiseconds

## lag-emulation

**Syntax** lag-emulation

**Context** config>eth-tunnel

**Description** This command configures eth-tunnel loadsharing parameters.

## access

**Syntax** **access**

**Context** config>eth-tunnel>lag-emulation

**Description** This command configures eth-tunnel loadsharing access parameters

## adapt-qos

|                    |                                                                                                                                                                                                                                |
|--------------------|--------------------------------------------------------------------------------------------------------------------------------------------------------------------------------------------------------------------------------|
| <b>Syntax</b>      | <b>adapt-qos</b> { <b>distribute</b>   <b>link</b> }<br><b>no adapt-qos</b>                                                                                                                                                    |
| <b>Context</b>     | config>eth-tunnel>lag-emulation>access                                                                                                                                                                                         |
| <b>Description</b> | This command configures how the Ethernet Tunnel group SAP queue and virtual scheduler buffering and rate parameters are adapted over multiple active MDAs.<br>The <b>no</b> form of the command reverts the default.           |
| <b>Default</b>     | no adapt-qos                                                                                                                                                                                                                   |
| <b>Parameters</b>  | <b>distribute</b> — Each MDA will receive a fraction of the SAP and scheduler parameters.<br><b>link</b> — The Ethernet Tunnel group will create the SAP queues and virtual schedulers with the actual parameters on each MDA. |

## per-fp-ing-queuing

|                    |                                                                                                                                                                                          |
|--------------------|------------------------------------------------------------------------------------------------------------------------------------------------------------------------------------------|
| <b>Syntax</b>      | [ <b>no</b> ] <b>per-fp-ing-queuing</b>                                                                                                                                                  |
| <b>Context</b>     | config>eth-tunnel>lag-emulation>access                                                                                                                                                   |
| <b>Description</b> | This command configures whether a more efficient method of queue allocation for Ethernet Tunnel Group SAPs should be utilized.<br>The <b>no</b> form of the command reverts the default. |
| <b>Default</b>     | <b>no per-fp-ing-queuing</b>                                                                                                                                                             |

## path-threshold

|                    |                                                                                                                                     |
|--------------------|-------------------------------------------------------------------------------------------------------------------------------------|
| <b>Syntax</b>      | <b>path-threshold</b> <i>num-paths</i><br><b>no path-threshold</b>                                                                  |
| <b>Context</b>     | config>eth-tunnel>lag-emulation                                                                                                     |
| <b>Description</b> | This command configures the behavior for the eth-tunnel if the number of operational members is equal to or below a threshold level |
| <b>Parameters</b>  | <i>num-paths</i> — Specifies the threshold for the Ethernet Tunnel group.<br><b>Values</b> 0 — 15                                   |

## protection-type

|                    |                                                                                                                                                                                                             |
|--------------------|-------------------------------------------------------------------------------------------------------------------------------------------------------------------------------------------------------------|
| <b>Syntax</b>      | <b>protection-type</b> { <b>g8031-1to1</b>   <b>loadsharing</b> }                                                                                                                                           |
| <b>Context</b>     | config>eth-tunnel                                                                                                                                                                                           |
| <b>Description</b> | This command configures the model used for determining which members are actively receiving and transmitting data.<br>The <b>no</b> form of the command reverts the default.                                |
| <b>Default</b>     | no path-threshold                                                                                                                                                                                           |
| <b>Parameters</b>  | <b>g8031-1to1</b> — As per G.8031 spec, only two members are allowed, and only one of them can be active at one point in time.<br><b>loadsharing</b> — Multiple members can be active at one point in time. |

## revert-time

|                    |                                                                                                                                                                                                                   |
|--------------------|-------------------------------------------------------------------------------------------------------------------------------------------------------------------------------------------------------------------|
| <b>Syntax</b>      | <b>revert-time</b> <i>time</i><br><b>no revert-time</b>                                                                                                                                                           |
| <b>Context</b>     | config>eth-tunnel                                                                                                                                                                                                 |
| <b>Description</b> | This command configure how long to wait before switching back to the primary path after it has been restored to Ethernet tunnel.<br>The <b>no</b> form of this command sets the revert-time to the default value. |
| <b>Default</b>     | no revert-time – indicates non-revertive behavior.                                                                                                                                                                |
| <b>Parameters</b>  | <i>time</i> — Specifies the re-activation delay in seconds for the primary path.<br><b>Values</b> 1 — 720 seconds                                                                                                 |

## path

|                    |                                                                                                                                                                                                                                                                                                                                                                      |
|--------------------|----------------------------------------------------------------------------------------------------------------------------------------------------------------------------------------------------------------------------------------------------------------------------------------------------------------------------------------------------------------------|
| <b>Syntax</b>      | <b>[no] path</b> <i>path-index</i>                                                                                                                                                                                                                                                                                                                                   |
| <b>Context</b>     | config>eth-tunnel                                                                                                                                                                                                                                                                                                                                                    |
| <b>Description</b> | This command configures one of the two paths supported under the Ethernet tunnel. Although the values indicate 1 — 8, only two paths, 1 and 2, are currently supported.<br>The <b>no</b> form of this command removes the path from under the Ethernet tunnel. If this is the last path, the associated SAP need to be un-configured before the path can be deleted. |
| <b>Default</b>     | no path                                                                                                                                                                                                                                                                                                                                                              |
| <b>Parameters</b>  | <i>path-index</i> — Specifies the identifier for the path.<br><b>Values</b> 1 — 8                                                                                                                                                                                                                                                                                    |

### description

|                    |                                                                                                                              |
|--------------------|------------------------------------------------------------------------------------------------------------------------------|
| <b>Syntax</b>      | <b>description</b> <i>description-string</i><br><b>no description</b>                                                        |
| <b>Context</b>     | config>eth-tunnel>path                                                                                                       |
| <b>Description</b> | This command configures a text description for the path.<br>The <b>no</b> form of this command removes the text description. |
| <b>Default</b>     | no description                                                                                                               |
| <b>Parameters</b>  | <i>description-string</i> — Specifies a text description.<br><b>Values</b> Maximum 80 characters.                            |

### member

|                    |                                                                                                                                                                                                                                                                                                                                                                                                                                                                                                                                                                                                                                                                                                                                                                                                                                                                                                                                                                                                                                                                                                                                                                                                                                                                                                                                                                                                                                                                                        |
|--------------------|----------------------------------------------------------------------------------------------------------------------------------------------------------------------------------------------------------------------------------------------------------------------------------------------------------------------------------------------------------------------------------------------------------------------------------------------------------------------------------------------------------------------------------------------------------------------------------------------------------------------------------------------------------------------------------------------------------------------------------------------------------------------------------------------------------------------------------------------------------------------------------------------------------------------------------------------------------------------------------------------------------------------------------------------------------------------------------------------------------------------------------------------------------------------------------------------------------------------------------------------------------------------------------------------------------------------------------------------------------------------------------------------------------------------------------------------------------------------------------------|
| <b>Syntax</b>      | <b>member</b> <i>port-id</i><br><b>no member</b>                                                                                                                                                                                                                                                                                                                                                                                                                                                                                                                                                                                                                                                                                                                                                                                                                                                                                                                                                                                                                                                                                                                                                                                                                                                                                                                                                                                                                                       |
| <b>Context</b>     | config>eth-tunnel>path                                                                                                                                                                                                                                                                                                                                                                                                                                                                                                                                                                                                                                                                                                                                                                                                                                                                                                                                                                                                                                                                                                                                                                                                                                                                                                                                                                                                                                                                 |
| <b>Description</b> | <p>This command associates a port with the path defined under the Ethernet tunnel. If the operator wants to replace an existing member port or control tag, the whole path needs to be shutdown first. The alternate path will be activated as a result keeping traffic interruption to a minimum. Then the whole path must be deleted, the alternate path precedence modified to primary before re-creating the new path.</p> <p>The following port-level configuration needs to be the same across the two member ports of an Ethernet tunnel:</p> <ul style="list-style-type: none"><li>• port&gt;ethernet&gt;access&gt;{ingress egress}&gt;queue-group</li><li>• port&gt;ethernet&gt;egress-scheduler-policy</li><li>• port&gt;access&gt;egress&gt;pool</li><li>• port&gt;ethernet&gt;dot1q-etype</li><li>• port&gt;ethernet&gt;qinq-etype</li><li>• port&gt;ethernet&gt;pbb-etype</li><li>• port&gt;ethernet&gt;mtu</li></ul> <p>The Ethernet tunnel will inherit the configuration from the first member port for these parameters. Additional member port that is added must have the same configuration.</p> <p>The operator is allowed to update these port parameters only if the port is the sole member of an Ethernet tunnel. This means that in the example below, the operator needs to remove port 1/1/4 and port 1/1/5 before being allowed to modify 1/1/1 for the above parameters.</p> <pre>eth-tunnel 1   path 1     member 1/1/1   path 2     member 1/1/4</pre> |



```
eth-tunnel 2
 path 1
 member 1/1/1
 path 2
 member 1/1/5
```

The **no** form of this command is used just to indicate that a member is not configured. The procedure described above, based on the **no path** command must be used to un-configure/change the member port assigned to the path.

**Default** no member

**Parameters** *port-id* — specifies the port-id associated with the path in the format x/y/z where x represents the IOM, y the MDA and z the port numbers.

## control-tag

**Syntax** **control-tag** *vlan-id*  
**no control-tag**

**Context** config>eth-tunnel>path

**Description** This command specifies the VLAN-ID to be used for Ethernet CFM and G.8031 control plane exchanges. If the operator wants to replace an existing control-tag, the parent path needs to be in shutdown state, then deleted and recreated before a new control-tag can be specified.

The **no** form of this command is used just to indicate that a control-tag is not configured. The procedure described above, based on 'no path' command must be used to un-configure/change the control-tag assigned to the path.

**Default** no control tag specified

**Parameters** *vlan-id* — specifies the value of the VLAN ID to be used for the control tag.

**Values** 1 – 4094, untagged option is not supported.

## precedence

**Syntax** **precedence** {**primary** | **secondary**}  
**no precedence**

**Context** config>eth-tunnel>path

**Description** This command specifies the precedence to be used for the path. Only two precedence options are supported: **primary** and **secondary**.

The **no** form of this command sets the precedence to the default value.

**Default** secondary

**Parameters** **primary** | **secondary** — specifies the path precedence as either primary or secondary.

## Eth Tunnel Commands

### eth-cfm

- Syntax** **eth-cfm**
- Context** config>eth-tunnel>path
- Description** This command enables the context to configure ETH-CFM parameters.

### mep

- Syntax** [**no**] **mep** *mep-id* **domain** *md-index* **association** *ma-index*
- Context** config>eth-tunnel>path>eth-cfm
- Description** This command provisions an 802.1ag maintenance endpoint (MEP). The **no** form of the command reverts to the default values.
- Parameters** *mep-id* — specifies the maintenance association end point identifier.
- Values** 1 — 81921
- md-index* — Specifies the maintenance domain (MD) index value.
- Values** 1 — 4294967295
- ma-index* — Specifies the MA index value.
- Values** 1 — 4294967295

### control-mep

- Syntax** [**no**] **control-mep**
- Context** config>eth-tunnel>path>eth-cfm>mep
- Description** This command enables the Ethernet ring control on the MEP. The use of control-mep command is mandatory for a ring. MEP detection of failure using CCM may be enabled or disabled independently of the control mep.
- The **no** form of this command disables Ethernet ring control.

### ccm-enable

- Syntax** [**no**] **ccm-enable**
- Context** config>eth-tunnel>path>eth-cfm>mep
- Description** This command enables the generation of CCM messages.
- The **no** form of the command disables the generation of CCM messages.

## ccm-ltm-priority

|                    |                                                                                                                                                                          |
|--------------------|--------------------------------------------------------------------------------------------------------------------------------------------------------------------------|
| <b>Syntax</b>      | <b>ccm-ltm-priority</b> <i>priority</i><br><b>no ccm-ltm-priority</b>                                                                                                    |
| <b>Context</b>     | config>eth-tunnel>path>eth-cfm>mep                                                                                                                                       |
| <b>Description</b> | This command specifies the priority value for CCMs and LTMs transmitted by the MEP. The <b>no</b> form of the command removes the priority value from the configuration. |
| <b>Default</b>     | The highest priority on the bridge-port.                                                                                                                                 |
| <b>Parameters</b>  | <i>priority</i> — Specifies the priority of CCM and LTM messages.                                                                                                        |
| <b>Values</b>      | 0 — 7                                                                                                                                                                    |

## eth-test-enable

|                    |                                                                                                                                                                                                                                                                                                                                                                                                                                                                                                                                                                                                                                                                                    |
|--------------------|------------------------------------------------------------------------------------------------------------------------------------------------------------------------------------------------------------------------------------------------------------------------------------------------------------------------------------------------------------------------------------------------------------------------------------------------------------------------------------------------------------------------------------------------------------------------------------------------------------------------------------------------------------------------------------|
| <b>Syntax</b>      | <b>[no] eth-test-enable</b>                                                                                                                                                                                                                                                                                                                                                                                                                                                                                                                                                                                                                                                        |
| <b>Context</b>     | config>eth-tunnel>path>eth-cfm>mep                                                                                                                                                                                                                                                                                                                                                                                                                                                                                                                                                                                                                                                 |
| <b>Description</b> | This command enables eth-test functionality on MEP. For this test to work, operators need to configure ETH-test parameters on both sender and receiver nodes. The ETH-test then can be done using the following OAM commands:<br><br>oam eth-cfm eth-test <i>mac-address</i> mep <i>mep-id</i> domain <i>md-index</i> association <i>ma-index</i> [priority <i>priority</i> ] [data-length <i>data-length</i> ]<br><br>A check is done for both the provisioning and test to ensure the MEP is an Y.1731 MEP (MEP provisioned with domain format none, association format icc-based). If not, the operation fails. An error message in the CLI and SNMP will indicate the problem. |

## test-pattern

|                    |                                                                                                                                                                                         |
|--------------------|-----------------------------------------------------------------------------------------------------------------------------------------------------------------------------------------|
| <b>Syntax</b>      | <b>test-pattern</b> { <b>all-zeros</b>   <b>all-ones</b> } [ <b>crc-enable</b> ]<br><b>no test-pattern</b>                                                                              |
| <b>Context</b>     | config>eth-tunnel>path>eth-cfm>mep>eth-test-enable                                                                                                                                      |
| <b>Description</b> | This command configures the test pattern for eth-test frames. The <b>no</b> form of the command removes the values from the configuration.                                              |
| <b>Parameters</b>  | <b>all-zeros</b> — Specifies to use all zeros in the test pattern.<br><b>all-ones</b> — Specifies to use all ones in the test pattern.<br><b>crc-enable</b> — Generates a CRC checksum. |
| <b>Default</b>     | all-zeros                                                                                                                                                                               |

## low-priority-defect

|                    |                                                                                              |                                                                    |  |
|--------------------|----------------------------------------------------------------------------------------------|--------------------------------------------------------------------|--|
| <b>Syntax</b>      | <b>low-priority-defect</b> {allDef   macRemErrXcon   remErrXcon   errXcon   xcon   noXcon}   |                                                                    |  |
| <b>Context</b>     | config>eth-tunnel>path>eth-cfm>mep                                                           |                                                                    |  |
| <b>Description</b> | This command specifies the lowest priority defect that is allowed to generate a fault alarm. |                                                                    |  |
| <b>Default</b>     | remErrXcon                                                                                   |                                                                    |  |
| <b>Values</b>      | allDef                                                                                       | DefRDICCM, DefMACstatus, DefRemoteCCM, DefErrorCCM, and DefXconCCM |  |
|                    | macRemErrXconOnly                                                                            | DefMACstatus, DefRemoteCCM, DefErrorCCM, and DefXconCCM            |  |
|                    | remErrXcon                                                                                   | Only DefRemoteCCM, DefErrorCCM, and DefXconCCM                     |  |
|                    | errXcon                                                                                      | Only DefErrorCCM and DefXconCCM                                    |  |
|                    | xcon                                                                                         | Only DefXconCCM; or                                                |  |
|                    | noXcon                                                                                       | No defects DefXcon or lower are to be reported                     |  |

## mac-address

|                    |                                                                                                                                                                                                                                 |
|--------------------|---------------------------------------------------------------------------------------------------------------------------------------------------------------------------------------------------------------------------------|
| <b>Syntax</b>      | <b>mac-address</b> <i>mac-address</i><br><b>no mac-address</b>                                                                                                                                                                  |
| <b>Context</b>     | config>eth-tunnel>path>eth-cfm>mep                                                                                                                                                                                              |
| <b>Description</b> | This command specifies the MAC address of the MEP.<br><br>The <b>no</b> form of this command reverts the MAC address of the MEP back to that of the port (if the MEP is on a SAP) or the bridge (if the MEP is on a spoke SDP). |
| <b>Parameters</b>  | <i>mac-address</i> — Specifies the MAC address of the MEP.                                                                                                                                                                      |
| <b>Values</b>      | 6-byte unicast mac-address (xx:xx:xx:xx:xx:xx or xx-xx-xx-xx-xx-xx) of the MEP. Using the all zeros address is equivalent to the no form of this command.                                                                       |

## control-mep

|                    |                                                                                                                                                                                                                                                                                                                                                                                                            |
|--------------------|------------------------------------------------------------------------------------------------------------------------------------------------------------------------------------------------------------------------------------------------------------------------------------------------------------------------------------------------------------------------------------------------------------|
| <b>Syntax</b>      | [no] control-mep                                                                                                                                                                                                                                                                                                                                                                                           |
| <b>Context</b>     | config>eth-tunnel>path>eth-cfm>mep                                                                                                                                                                                                                                                                                                                                                                         |
| <b>Description</b> | This command enables the usage of the CC state by the Ethernet tunnel manager for consideration in the protection algorithm. The use of control-mep command is recommended if fast failure detection is required, especially when Link Layer OAM does not provide the required detection time.<br><br>The <b>no</b> form of this command disables the use of the CC state by the Ethernet tunnel manager\. |
| <b>Default</b>     | no control-mep                                                                                                                                                                                                                                                                                                                                                                                             |

## shutdown

**Syntax** [no] shutdown

**Context** config>eth-tunnel>path>eth-cfm>mep

**Description** This command administratively enables/disables the MEP.  
The **no** form of this command enables the MEP.

**Default** shutdown

## shutdown

**Syntax** [no] shutdown

**Context** config>eth-tunnel>path  
config>eth-tunnel

**Description** This command administratively enables/disables the path.  
The **no** form of this command enables the path.

---

## ETH-CFM Configuration Commands

### eth-cfm

**Syntax** **eth-cfm**

**Context** config>port>ethernet  
config>lag

**Description** This command enables the context to configure 802.1ag CFM parameters.

### mep

**Syntax** **mep** *mep-id* **domain** *md-index* **association** *ma-index* [**vlan** *vlan-id*]  
**no mep** *mep-id* **domain** *md-index* **association** *ma-index* [**vlan** *vlan-id*]

**Context** config>port>ethernet>eth-cfm  
config>lag>eth-cfm  
config>router>if>eth-cfm

**Description** This command provisions the maintenance endpoint (MEP).  
The **no** form of the command reverts to the default values.

**Parameters** *mep-id* — Specifies the maintenance association end point identifier.

**Values** 1 — 81921

*md-index* — Specifies the maintenance domain (MD) index value.

**Values** 1 — 4294967295

*ma-index* — Specifies the MA index value.

**Values** 1 — 4294967295

*vlan-id* — Specific to tunnel facility MEPs which means this option is only applicable to the lag>eth-cfm> context. Used to specify the outer vlan id of the tunnel.

**Values** 1 — 4094

## ais-enable

**Syntax** [no] **ais-enable**

**Context** config>port>ethernet>eth-cfm>mep  
config>lag>eth-cfm>mep

**Description** This command enables the reception of AIS messages.  
The **no** form of the command reverts to the default values.

## client-meg-level

**Syntax** **client-meg-level** [[*level* [*level* ...]]  
**no client-meg-level**

**Context** config>port>ethernet>eth-cfm>mep>ais-enable  
config>lag>eth-cfm> mep>ais-enable

**Description** This command configures the client maintenance entity group (MEG) level(s) to use for AIS message generation. Up to 7 levels can be provisioned with the restriction that the client MEG level must be higher than the local MEG level. Only the lowest client MEG level will be used for facility MEPs.  
The **no** form of the command reverts to the default values.

**Parameters** *level* — Specifies the client MEG level.

**Values** 1 — 7

**Default** 1

## interval

**Syntax** **interval** {1 | 60}  
**no interval**

**Context** config>port>ethernet>eth-cfm>mep>ais-enable  
config>lag>eth-cfm> mep>ais-enable

**Description** This command specifies the transmission interval of AIS messages in seconds.  
The **no** form of the command reverts to the default values.

**Parameters** 1 | 60 — The transmission interval of AIS messages in seconds.

**Default** 1

## ETH-CFM Configuration Commands

### priority

**Syntax** **priority** *priority-value*  
**no priority**

**Context** config>port>ethernet>eth-cfm>mep>ais-enable  
config>lag>eth-cfm>mep>ais-enable

**Description** This command specifies the priority of the AIS messages generated by the node.  
The **no** form of the command reverts to the default values.

**Parameters** *priority-value* — Specify the priority value of the AIS messages originated by the node.

**Values** 0 — 7

**Default** 7

### ccm-enable

**Syntax** [**no**] **ccm-enable**

**Context** config>port>ethernet>eth-cfm>mep  
config>lag>eth-cfm>mep

**Description** This command enables the generation of CCM messages.  
The **no** form of the command disables the generation of CCM messages.

### ccm-ltm-priority

**Syntax** **ccm-ltm-priority** *priority*  
**no ccm-ltm-priority**

**Context** config>port>ethernet>eth-cfm>mep>  
config>lag>eth-cfm>mep>  
config>router>if>eth-cfm>mep

**Description** This command specifies the priority of the CCM and LTM messages transmitted by the MEP. Since CCM does not apply to the Router Facility MEP only the LTM priority is of value under that context.  
The **no** form of the command reverts to the default values.

**Default** *priority* — Specifies the priority value

**Values** 0 — 7

**Default** 7

### ccm-padding-size



|                    |                                                                                                                          |
|--------------------|--------------------------------------------------------------------------------------------------------------------------|
| <b>Syntax</b>      | <b>ccm-padding-size</b> <i>ccm-padding</i><br><b>no ccm-padding-size</b>                                                 |
| <b>Context</b>     | config>eth-tunnel>path>eth-cfm>mep                                                                                       |
| <b>Description</b> | This command inserts additional padding in the CCM packets.<br>The <b>no</b> form of the command reverts to the default. |
| <b>Parameters</b>  | <i>ccm-padding</i> — Specifies the additional padding in the CCM packets.<br><b>Values</b> 3 — 1500 octets               |

## ccm-tlv-ignore

|                    |                                                                                                                                                                                                                                                                                         |
|--------------------|-----------------------------------------------------------------------------------------------------------------------------------------------------------------------------------------------------------------------------------------------------------------------------------------|
| <b>Syntax</b>      | <b>ccm-tlv-ignore</b> [ <b>port-status</b> ] [ <b>interface-status</b> ]<br><b>no ccm-tlv-ignore</b>                                                                                                                                                                                    |
| <b>Context</b>     | config>port>ethernet>eth-cfm>mep<br>config>lag>eth-cfm>mep                                                                                                                                                                                                                              |
| <b>Description</b> | This command allows the receiving MEP to ignore the specified TLVs in CCM PDU. Ignored TLVs will be reported as absent and will have no impact on the MEP state machine.<br>The <b>no</b> form of the command causes the receiving MEP will process all recognized TLVs in the CCM PDU. |
| <b>Parameters</b>  | <b>port-status</b> — Ignore the port status TLV on reception.<br><b>interface-status</b> — ignore the interface status TLV on reception.                                                                                                                                                |

## eth-test-enable

|                    |                                                                                                                                                                                                                                                                                                                                                                                                                                         |
|--------------------|-----------------------------------------------------------------------------------------------------------------------------------------------------------------------------------------------------------------------------------------------------------------------------------------------------------------------------------------------------------------------------------------------------------------------------------------|
| <b>Syntax</b>      | [ <b>no</b> ] <b>eth-test-enable</b>                                                                                                                                                                                                                                                                                                                                                                                                    |
| <b>Context</b>     | config>port>ethernet>eth-cfm>mep<br>config>lag>eth-cfm>mep<br>config>router>if>eth-cfm>mep                                                                                                                                                                                                                                                                                                                                              |
| <b>Description</b> | For this test to work, operators need to configure ETH-test parameters on both sender and receiver nodes. The ETH-test then can be done using the following OAM commands:<br><code>oam eth-cfm eth-test <i>mac-address</i> mep <i>mep-id</i> domain <i>md-index</i> association <i>ma-index</i> [priority <i>priority</i>] [data-length <i>data-length</i>]</code><br>The <b>no</b> form of the command disables eth-test capabilities. |

## bit-error-threshold

|               |                                              |
|---------------|----------------------------------------------|
| <b>Syntax</b> | <b>bit-error-threshold</b> <i>bit-errors</i> |
|---------------|----------------------------------------------|

## ETH-CFM Configuration Commands

|                    |                                                                                              |
|--------------------|----------------------------------------------------------------------------------------------|
| <b>Context</b>     | config>eth-ring>path>eth-cfm>mep                                                             |
| <b>Description</b> | This command specifies the lowest priority defect that is allowed to generate a fault alarm. |
| <b>Default</b>     | 1                                                                                            |
| <b>Parameters</b>  | <i>bit-errors</i> — Specifies the lowest priority defect.                                    |
| <b>Values</b>      | 0 — 11840                                                                                    |

### test-pattern

|                    |                                                                                                                                                                                                                      |
|--------------------|----------------------------------------------------------------------------------------------------------------------------------------------------------------------------------------------------------------------|
| <b>Syntax</b>      | <b>test-pattern {all-zeros   all-ones} [crc-enable]<br/>no test-pattern</b>                                                                                                                                          |
| <b>Context</b>     | config>port>ethernet>eth-cfm>mep>eth-test<br>config>lag>eth-cfm>mep>eth-test<br>config>router>if>eth-cfm>mep>eth-test                                                                                                |
| <b>Description</b> | This command specifies the test pattern of the ETH-TEST frames. This does not have to be configured the same on the sender and the receiver.<br><br>The <b>no</b> form of the command reverts to the default values. |
| <b>Parameters</b>  | <b>all-zeros</b> — Specifies to use all zeros in the test pattern.<br><b>all-ones</b> — Specifies to use all ones in the test pattern.<br><b>crc-enable</b> — Generates a CRC checksum.                              |
| <b>Default</b>     | all-zeros                                                                                                                                                                                                            |

### low-priority-defect

|                    |                                                                                                                                                                                                                                                                                                                                                                            |        |                                                                    |               |                                                              |            |                                                |         |                                 |
|--------------------|----------------------------------------------------------------------------------------------------------------------------------------------------------------------------------------------------------------------------------------------------------------------------------------------------------------------------------------------------------------------------|--------|--------------------------------------------------------------------|---------------|--------------------------------------------------------------|------------|------------------------------------------------|---------|---------------------------------|
| <b>Syntax</b>      | <b>low-priority-defect {allDef   macRemErrXcon   remErrXcon   errXcon   xcon   noXcon}</b>                                                                                                                                                                                                                                                                                 |        |                                                                    |               |                                                              |            |                                                |         |                                 |
| <b>Context</b>     | config>port>ethernet>eth-cfm>mep>eth-test<br>config>lag>eth-cfm>mep>eth-test                                                                                                                                                                                                                                                                                               |        |                                                                    |               |                                                              |            |                                                |         |                                 |
| <b>Description</b> | This command specifies the lowest priority defect that is allowed to generate a fault alarm. This setting is also used to determine the fault state of the MEP which, well enabled to do so, causes a network reaction.                                                                                                                                                    |        |                                                                    |               |                                                              |            |                                                |         |                                 |
| <b>Default</b>     | macRemErrXcon                                                                                                                                                                                                                                                                                                                                                              |        |                                                                    |               |                                                              |            |                                                |         |                                 |
| <b>Values</b>      | <table><tr><td>allDef</td><td>DefRDICCM, DefMACstatus, DefRemoteCCM, DefErrorCCM, and DefXconCCM</td></tr><tr><td>macRemErrXcon</td><td>Only DefMACstatus, DefRemoteCCM, DefErrorCCM, and DefXconCCM</td></tr><tr><td>remErrXcon</td><td>Only DefRemoteCCM, DefErrorCCM, and DefXconCCM</td></tr><tr><td>errXcon</td><td>Only DefErrorCCM and DefXconCCM</td></tr></table> | allDef | DefRDICCM, DefMACstatus, DefRemoteCCM, DefErrorCCM, and DefXconCCM | macRemErrXcon | Only DefMACstatus, DefRemoteCCM, DefErrorCCM, and DefXconCCM | remErrXcon | Only DefRemoteCCM, DefErrorCCM, and DefXconCCM | errXcon | Only DefErrorCCM and DefXconCCM |
| allDef             | DefRDICCM, DefMACstatus, DefRemoteCCM, DefErrorCCM, and DefXconCCM                                                                                                                                                                                                                                                                                                         |        |                                                                    |               |                                                              |            |                                                |         |                                 |
| macRemErrXcon      | Only DefMACstatus, DefRemoteCCM, DefErrorCCM, and DefXconCCM                                                                                                                                                                                                                                                                                                               |        |                                                                    |               |                                                              |            |                                                |         |                                 |
| remErrXcon         | Only DefRemoteCCM, DefErrorCCM, and DefXconCCM                                                                                                                                                                                                                                                                                                                             |        |                                                                    |               |                                                              |            |                                                |         |                                 |
| errXcon            | Only DefErrorCCM and DefXconCCM                                                                                                                                                                                                                                                                                                                                            |        |                                                                    |               |                                                              |            |                                                |         |                                 |

|        |                                                |
|--------|------------------------------------------------|
| xcon   | Only DefXconCCM; or                            |
| noXcon | No defects DefXcon or lower are to be reported |

## mac-address

**Syntax** **mac-address** *mac-address*  
**no mac-address**

**Context** config>port>ethernet>eth-cfm>mep  
config>lag>eth-cfm>mep  
config>router>if>eth-cfm>mep

**Description** This command specifies the MAC address of the MEP.  
The **no** form of the command reverts to the MAC address of the MEP back to the default, that of the port, since this is SAP based.

**Default** no mac-address

**Parameters** *mac-address* — Specifies the MAC address of the MEP.

**Values** 6-byte unicast mac-address (xx:xx:xx:xx:xx:xx or xx-xx-xx-xx-xx-xx) of the MEP. Using the all zeros address is equivalent to the no form of this command.

## one-way-delay-threshold

**Syntax** **one-way-delay-threshold** *seconds*

**Context** config>eth-tunnel>path>eth-cfm>mep

**Description** This command enables one way delay threshold time limit.

**Default** 3 seconds

**Parameters** *priority* — Specifies the value for the threshold.

**Values** 0 — 600

## facility-fault

**Syntax** [**no**] **facility-fault**

**Context** config>lag>eth-cfm>mep  
config>port>ethernet>eth-cfm>mep

**Description** Allows the facility MEP to move from alarming only to network actionable function. This means a facility MEP will not merely report the defect conditions but will be able to action based on the transition of the MEP state. Without this command the facility MEP will only monitor and report and conditions of the MEP do not affect related services.

## ETH-CFM Configuration Commands

**Default** no facility-fault

### tunnel-fault

**Syntax** tunnel-fault {accept | ignore}

**Context** config>service>vpls>eth-cfm  
config>service>vpls>sap>eth-cfm  
config>service>epipe>eth-cfm  
config>service>epipe>sap>eth-cfm  
config>service>ipipe>eth-cfm  
config>service>ipipe>sap>eth-cfm  
config>service>ies>eth-cfm  
config>service>ies>if>sap>eth-cfm  
config>service>ies>sub-if>grp-if>sap>eth-cfm  
config>service>vprn>eth-cfm  
config>service>vprn>if>sap>eth-cfm  
config>service>vprn>sub-if>grp-if>sap>eth-cfm

**Description** Allows the individual service SAPs to react to changes in the tunnel MEP state. When tunnel-fault accept is configured at the service level, the SAP will react according to the service type, Epipe will set the operational flag and VPLS, IES and VPRN SAP operational state will become down on failure or up on clear. This command triggers the OAM mapping functions to mate SAPs and bindings in an Epipe service as well as setting the operational flag. If AIS generation is the requirement for the Epipe services this command is not required. See the **ais-enable** command under the **config>service>epipe>sap>eth-cfm>ais-enable** context for more details. This works in conjunction with the tunnel-fault accept on the individual SAPs. Both must be set to accept to react to the tunnel MEP state. By default the service level command is “ignore” and the SAP level command is “accept”. This means simply changing the service level command to “accept” will enable the feature for all SAPs. This is not required for Epipe services that only wish to generate AIS on failure.

**Parameters** *accept* — Share fate with the facility tunnel MEP  
*ignore* — Do not share fate with the facility tunnel MEP

**Default** ignore (Service Level)  
accept (SAP Level for Epipe and VPLS)

## Multi-Chassis Redundancy Commands

### redundancy

**Syntax** `redundancy`

**Context** `config`

**Description** This command allows the user to perform redundancy operations. Associated commands include the following in the **admin>redundancy** context:

**force-switchover** — Forces a switchover to the standby CPM/CFM card.

**now** — Switch to standby CPM/CFM.

**NOTE:** Switching to the standby displays the following message.

```
WARNING: Configuration and/or Boot options may have changed since the last save.
Are you sure you want to switchover (y/n)?
```

**synchronize** — Synchronizes the secondary CPM/CFM.

**Values** `<boot-env/config>` : keywords

Refer to the 7750 SR OS Basic System Configuration Guide.

### synchronize

**Syntax** `synchronize {boot-env | config}`

**Context** `config>redundancy`

**Description** This command performs a synchronization of the standby CPM/CFM's images and/or config files to the active CPM/CFM. Either the **boot-env** or **config** parameter must be specified.

In the **config>redundancy** context, this command performs an automatically triggered standby CPM/CFM synchronization.

When the standby CPM/CFM takes over operation following a failure or reset of the active CPM/CFM, it is important to ensure that the active and standby CPM/CFMs have identical operational parameters. This includes the saved configuration, CPM and IOM images. This includes the saved configuration, CPM and IOM images. This includes the saved configuration and CFM images.

The active CPM/CFM ensures that the active configuration is maintained on the standby CPM/CFM. However, to ensure smooth operation under all circumstances, runtime images and system initialization configurations must also be automatically synchronized between the active and standby CPM/CFM.

If synchronization fails, alarms and log messages that indicate the type of error that caused the failure of the synchronization operation are generated. When the error condition ceases to exist, the alarm is cleared.

Only files stored on the router are synchronized. If a configuration file or image is stored in a location other than on a local compact flash, the file is not synchronized (for example, storing a configuration file on an FTP server).

## Multi-Chassis Redundancy Commands

**Default** enabled

**Parameters** **boot-env** — Synchronizes all files required for the boot process (loader, BOF, images, and configuration files).

**config** — Synchronize only the primary, secondary, and tertiary configuration files.

**Default** config

### bgp-multi-homing

**Syntax** **bgp-multi-homing**

**Context** config>redundancy

**Description** This command configures BGP multi-homing parameters.

### boot-timer

**Syntax** **boot-timer** *seconds*  
**no boot-timer**

**Context** config>redundancy>bgp-mh

**Description** This command specifies how long the service manager waits after a node reboot before running the MH procedures. The boot-timer value should be configured to allow for the BGP sessions to come up and for the NLRI information to be refreshed/exchanged. The boot-timer is activated after the no shutdown command for a MH site executed from configuration. Upon activation, the boot-timer is compared with the system up-time for the node. If the boot timer is higher than the up-time, then the service manager waits for the boot-timer-sys-up-time, then starts the site-activation-timer.

The no form of this command sets the value to 10.

**Default** 10 sec

**Parameters** *seconds* — Specifies the timer, in seconds.

**Values** 1..100

### site-activation-timer

**Syntax** **site-activation-timer** *seconds*  
**no site-activation-timer**

**Context** config>redundancy>bgp-mh

**Description** This command defines the amount of time the service manager will keep the local sites in standby status, waiting for BGP updates from remote PEs before running the DF election algorithm to decide whether the

site should be unblocked. The timer is started when one of the following event occurs only if the site is operationally up:

- Manual site activation using “no shutdown” at site-id level or at member object(s) level (for example, SAP(s) or PW(s))
- Site activation after a failure

The **no** form of this command sets the value to 2.

**Default** 2 seconds

**Parameters** *seconds* — Specifies the timer, in seconds.

**Values** 1..100

## multi-chassis

**Syntax** **multi-chassis**

**Context** config>redundancy

**Description** This command enables the context to configure multi-chassis parameters.

## peer

**Syntax** [**no**] **peer** *ip-address* **create**

**Context** config>redundancy>multi-chassis

**Description** Use this command to configure up to 20 multi-chassis redundancy peers. Note that it is only for mc-lag (20) not for mc-sync (4).

**Parameters** *ip-address* — Specifies the IP address.

**Values**

|               |                                     |
|---------------|-------------------------------------|
| ipv4-address: | a.b.c.d                             |
| ipv6-address: | x:x:x:x:x:x:x (eight 16-bit pieces) |
|               | x:x:x:x:x:d.d.d.d                   |
|               | x: [0 — FFFF]H                      |
|               | d: [0 — 255]D                       |

**create** — Mandatory keyword specifies to create the peer.

## authentication-key

**Syntax** **authentication-key** [*authentication-key* | *hash-key*] [**hash** | **hash2**]  
**no authentication-key**

**Context** config>redundancy>multi-chassis>peer

**Description** This command configures the authentication key used between this node and the multi-chassis peer. The authentication key can be any combination of letters or numbers.

**Parameters**

- authentication-key* — Specifies the authentication key. Allowed values are any string up to 20 characters long composed of printable, 7-bit ASCII characters. If the string contains special characters (#, \$, spaces, etc.), the entire string must be enclosed within double quotes.
- hash-key* — The hash key. The key can be any combination of ASCII characters up to 33 (hash1-key) or 55 (hash2-key) characters in length (encrypted). If spaces are used in the string, enclose the entire string in quotation marks (“ ”).
- hash** — Specifies the key is entered in an encrypted form. If the hash or hash2 parameter is not used, the key is assumed to be in a non-encrypted, clear text form. For security, all keys are stored in encrypted form in the configuration file with the hash or hash2 parameter specified.
- hash2** — Specifies the key is entered in a more complex encrypted form that involves more variables than the key value alone, this means that hash2 encrypted variable cannot be copied and pasted. If the hash or hash2 parameter is not used, the key is assumed to be in a non-encrypted, clear text form. For security, all keys are stored in encrypted form in the configuration file with the hash or hash2 parameter specified.



---

## MC Endpoint Commands

### mc-endpoint

**Syntax** [no] mc-endpoint

**Context** config>redundancy>multi-chassis>peer

**Description** This command specifies that the endpoint is multi-chassis. This value should be the same on both MC-EP peers for the pseudowires that must be part of the same group.

The **no** form of this command removes the endpoint from the MC-EP. Single chassis behavior applies.

### bfd-enable

**Syntax** [no] bfd-enable

**Context** config>redundancy>multi-chassis>peer>mc-ep  
config>router>rsvp  
config>router>bgp  
config>router>bgp>group  
config>router>bgp>group>neighbor  
config>redundancy>multi-chassis>peer>mc-ep

**Description** This command enables the use of bi-directional forwarding (BFD) to control the state of the associated protocol interface. By enabling BFD on a given protocol interface, the state of the protocol interface is tied to the state of the BFD session between the local node and the remote node. The parameters used for the BFD are set via the BFD command under the IP interface.

The **no** form of this command disables BFD.

**Default** no bfd-enable

### boot-timer

**Syntax** boot-timer *interval*  
no boot-timer

**Context** config>redundancy>multi-chassis>peer>mc-ep

**Description** This command configures the boot timer interval. This command applies only when the node reboots. It specifies the time the MC-EP protocol keeps trying to establish a connection before assuming a failure of the remote peer. This is different from the keep-alives mechanism which is used just after the peer-peer communication was established. After this time interval passed all the mc-endpoints configured under services will revert to single chassis behavior, activating the best local PW.

The **no** form of this command sets the interval to default.

## Multi-Chassis Redundancy Commands

**Default** 300

**Parameters** *interval* — Specifies the boot timer interval.

**Values** 1 — 600

### hold-on-neighbor-failure

**Syntax** **hold-on-neighbor-failure** *multiplier*  
**no hold-on-neighbor-failure**

**Context** config>redundancy>multi-chassis>peer>mc-ep

**Description** This command specifies the number of keep-alive intervals that the local node will wait for packets from the MC-EP peer before assuming failure. After this time interval passed the all the mc-endpoints configured under services will revert to single chassis behavior, activating the best local pseudowire.

The **no** form of this command sets the multiplier to default value

**Default** 3

**Parameters** *multiplier* — Specifies the hold time applied on neighbor failure.

**Values** 2 — 25

### keep-alive-interval

**Syntax** **keep-alive-interval** *interval*  
**no keep-alive-interval**

**Context** config>redundancy>multi-chassis>peer>mc-ep

**Description** This command sets the interval at which keep-alive messages are exchanged between two systems participating in MC-EP when bfd is not enabled or is down. These fast keep-alive messages are used to determine remote-node failure and the interval is set in deci-seconds.

The **no** form of this command sets the interval to default value

**Default** 5 (0.5s)

**Parameters** *interval* — The time interval expressed in deci-seconds.

**Values** 5 — 500 (tenths of a second)

## passive-mode

|                    |                                                                                                                                                                                                                                                                                                                                                                                                                                                                                                                                                                                                                                |
|--------------------|--------------------------------------------------------------------------------------------------------------------------------------------------------------------------------------------------------------------------------------------------------------------------------------------------------------------------------------------------------------------------------------------------------------------------------------------------------------------------------------------------------------------------------------------------------------------------------------------------------------------------------|
| <b>Syntax</b>      | <b>[no] passive-mode</b>                                                                                                                                                                                                                                                                                                                                                                                                                                                                                                                                                                                                       |
| <b>Context</b>     | config>redundancy>multi-chassis>peer>mc-ep                                                                                                                                                                                                                                                                                                                                                                                                                                                                                                                                                                                     |
| <b>Description</b> | <p>This command configures the passive mode behavior for the MC-EP protocol. When in passive mode the MC-EP pair will be dormant until two of the pseudowires in a MC-EP will be signaled as active by the remote PEs, being assumed that the remote pair is configured with regular MC-EP. As soon as more than one pseudowire is active, dormant MC-EP pair will activate. It will use the regular exchange to select the best pseudowire between the active ones and it will block the Rx and Tx directions of the other pseudowires.</p> <p>The <b>no</b> form of this command will disable the passive mode behavior.</p> |
| <b>Default</b>     | no passive-mode                                                                                                                                                                                                                                                                                                                                                                                                                                                                                                                                                                                                                |

## system-priority

|                    |                                                                                                                                                                                                                                                                                                                                             |
|--------------------|---------------------------------------------------------------------------------------------------------------------------------------------------------------------------------------------------------------------------------------------------------------------------------------------------------------------------------------------|
| <b>Syntax</b>      | <b>system-priority <i>value</i></b><br><b>no system-priority</b>                                                                                                                                                                                                                                                                            |
| <b>Context</b>     | config>redundancy>multi-chassis>peer>mc-ep                                                                                                                                                                                                                                                                                                  |
| <b>Description</b> | <p>This command allows the operator to set the system priority. The peer configured with the highest value is chosen to be the Master. If system-priority are equal then the one with the lowest system-id (chassis MAC address) is chosen as the Master.</p> <p>The <b>no</b> form of this command sets the system priority to default</p> |
| <b>Default</b>     | 0                                                                                                                                                                                                                                                                                                                                           |
| <b>Parameters</b>  | <i>value</i> — Specifies the priority assigned to the local MC-EP peer.                                                                                                                                                                                                                                                                     |
|                    | <b>Values</b> 1— 255                                                                                                                                                                                                                                                                                                                        |

## MC LAG Commands

### mc-lag

**Syntax** [no] mc-lag

**Context** config>redundancy>multi-chassis>peer>mc-lag

**Description** This command enables the context to configure multi-chassis LAG operations and related parameters. The **no** form of this command administratively disables multi-chassis LAG. MC-LAG can be issued only when mc-lag is shutdown.

### hold-on-neighbor-failure

**Syntax** hold-on-neighbor-failure *multiplier*  
no hold-on-neighbor-failure

**Context** config>redundancy>multi-chassis>peer>mc-lag

**Description** This command specifies the interval that the standby node will wait for packets from the active node before assuming a redundant-neighbor node failure. This delay in switch-over operation is required to accommodate different factors influencing node failure detection rate, such as IGP convergence, or HA switch-over times and to prevent the standby node to take action prematurely. The **no** form of this command sets this parameter to default value.

**Default** 3

**Parameters** *multiplier* — The time interval that the standby node will wait for packets from the active node before assuming a redundant-neighbor node failure.

**Values** 2 — 25

### keep-alive-interval

**Syntax** keep-alive-interval *interval*  
no keep-alive-interval

**Context** config>redundancy>multi-chassis>peer>mc-lag

**Description** This command sets the interval at which keep-alive messages are exchanged between two systems participating in MC-LAG. These keep-alive messages are used to determine remote-node failure and the interval is set in deci-seconds.

The **no** form of this command sets the interval to default value

**Default** 1s (10 hundreds of milliseconds means interval value of 10)

**Parameters** *interval* — The time interval expressed in deci-seconds

**Values** 5 — 500

## lag

**Syntax** **lag** *lag-id* **lACP-key** *admin-key* **system-id** *system-id* [**remote-lag** *remote-lag-id*] **system-priority** *system-priority* **source-bmac-lsb** *use-lACP-key*  
**lag** *lag-id* **lACP-key** *admin-key* **system-id** *system-id* [**remote-lag** *remote-lag-id*] **system-priority** *system-priority* **source-bmac-lsb** *MAC-Lsb*  
**lag** *lag-id* **lACP-key** *admin-key* **system-id** *system-id* [**remote-lag** *remote-lag-id*] **system-priority** *system-priority*  
**lag** *lag-id* [**remote-lag** *remote-lag-id*]  
**no lag** *lag-id*

**Context** config>redundancy>multi-chassis>peer>mc-lag

**Description** This command defines a LAG which is forming a redundant-pair for MC-LAG with a LAG configured on the given peer. The same LAG group can be defined only in the scope of 1 peer. In order MC-LAG to become operational, all parameters (**lACP-key**, **system-id**, **system-priority**) must be configured the same on both nodes of the same redundant pair.

The partner system (the system connected to all links forming MC-LAG) will consider all ports using the same **lACP-key**, **system-id**, **system-priority** as the part of the same LAG. In order to achieve this in MC operation, both redundant-pair nodes have to be configured with the same values. In case of the mismatch, MC-LAG is kept in oper-down status.

Note that the correct CLI command to enable MC LAG for a LAG in **standby-signaling power-off mode** is **lag** *lag-id* [**remote-lag** *remote-lag-id*]. In the CLI help output, the first three forms are used to enable MC LAG for a LAG in LACP mode. MC LAG is disabled (regardless of the mode) for a given LAG with **no lag** *lag-id*.

**Default** none

**Parameters** *lag-id* — The LAG identifier, expressed as a decimal integer. Specifying the *lag-id* allows the mismatch between *lag-id* on redundant-pair. If no **lag-id** is specified it is assumed that neighbor system uses the same *lag-id* as a part of the given MC-LAG. If no matching MC-LAG group can be found between neighbor systems, the individual LAGs will operate as usual (no MC-LAG operation is established.).

**Values** 1 — 200 (7750 SR-1 and 7750 SR-c12/4: 1 — 64)

**lACP-key** *admin-key* — Specifies a 16 bit key that needs to be configured in the same manner on both sides of the MC-LAG in order for the MC-LAG to come up.

**Values** 1 — 65535

**system-id** *system-id* — Specifies a 6 byte value expressed in the same notation as MAC address

**Values** xx:xx:xx:xx:xx:xx - xx [00..FF]

**remote-lag** *lag-id* — Specifies the LAG ID on the remote system.

**Values** 1 — 200

**system-priority** *system-priority* — Specifies the system priority to be used in the context of the MC-LAG.

## Multi-Chassis Redundancy Commands

The partner system will consider all ports using the same **lacp-key**, **system-id**, and **system-priority** as part of the same LAG.

**Values** 1 — 65535

**source-bmac-lsb** *MAC-Lsb* — Configures the last 16 bit of the MAC address to be used for all traffic ingressing the MC-LAG link(s) or if use-lacp-key option is used, it will only copy the value of lacp-key (redundancy multi-chassis mc-lag lag lacp-key admin-key). The command will fail if the *value* is the same with any of the following configured attributes:

- source-bmac-lsb assigned to other MC-LAG ports
- lsb 16 bits value for the source-bmac configured at chassis or BVPLS level

The first 32 bits will be copied from the source BMAC of the BVPLS associated with the IVPLS for a specific IVPLS SAP mapped to the MC-LAG. The BVPLS source BMAC can be provisioned for each BVPLS or can be inherited from the chassis PBB configuration.

**Values** 1 — 65535 or xx-xx or xx:xx

### source-address

**Syntax** **source-address** *ip-address*  
**no source-address**

**Context** config>redundancy>multi-chassis>peer

**Description** This command specifies the source address used to communicate with the multi-chassis peer.

**Parameters** *ip-address* — Specifies the source address used to communicate with the multi-chassis peer.

### sync

**Syntax** [**no**] **sync**

**Context** config>redundancy>multi-chassis>peer

**Description** This command enables the context to configure synchronization parameters.

### igmp

**Syntax** [**no**] **igmp**

**Context** config>redundancy>multi-chassis>peer>sync

**Description** This command specifies whether IGMP protocol information should be synchronized with the multi-chassis peer.

**Default** no igmp

## igmp-snooping

|                    |                                                                                                              |
|--------------------|--------------------------------------------------------------------------------------------------------------|
| <b>Syntax</b>      | <b>[no] igmp-snooping</b>                                                                                    |
| <b>Context</b>     | config>redundancy>multi-chassis>peer>sync                                                                    |
| <b>Description</b> | This command specifies whether IGMP snooping information should be synchronized with the multi-chassis peer. |
| <b>Default</b>     | no igmp-snooping                                                                                             |

## mld

|                    |                                                                                                             |
|--------------------|-------------------------------------------------------------------------------------------------------------|
| <b>Syntax</b>      | <b>[no] mld</b>                                                                                             |
| <b>Context</b>     | config>redundancy>multi-chassis>peer>sync                                                                   |
| <b>Description</b> | This command specifies whether MLD protocol information should be synchronized with the multi-chassis peer. |
| <b>Default</b>     | no mld                                                                                                      |

## mld-snooping

|                    |                                                                                                             |
|--------------------|-------------------------------------------------------------------------------------------------------------|
| <b>Syntax</b>      | <b>[no] mld-snooping</b>                                                                                    |
| <b>Context</b>     | config>redundancy>multi-chassis>peer>sync                                                                   |
| <b>Description</b> | This command specifies whether MLD snooping information should be synchronized with the multi-chassis peer. |
| <b>Default</b>     | no mld-snooping                                                                                             |

## port

|                    |                                                                                                                                                                                                                                                                                                                        |
|--------------------|------------------------------------------------------------------------------------------------------------------------------------------------------------------------------------------------------------------------------------------------------------------------------------------------------------------------|
| <b>Syntax</b>      | <b>port</b> [ <i>port-id</i>   <i>lag-id</i> ] [ <b>sync-tag</b> <i>sync-tag</i> ]<br><b>no port</b> [ <i>port-id</i>   <i>lag-id</i> ]                                                                                                                                                                                |
| <b>Context</b>     | config>redundancy>multi-chassis>peer>sync                                                                                                                                                                                                                                                                              |
| <b>Description</b> | This command specifies the port to be synchronized with the multi-chassis peer and a synchronization tag to be used while synchronizing this port with the multi-chassis peer.                                                                                                                                         |
| <b>Parameters</b>  | <i>port-id</i> — Specifies the port to be synchronized with the multi-chassis peer.<br><i>lag-id</i> — Specifies the LAG ID to be synchronized with the multi-chassis peer.<br><b>sync-tag</b> <i>sync-tag</i> — Specifies a synchronization tag to be used while synchronizing this port with the multi-chassis peer. |

## Multi-Chassis Redundancy Commands

### range

**Syntax** **range** *encap-range* **sync-tag** *sync-tag*  
**no range** *encap-range*

**Context** config>redundancy>multi-chassis>peer>sync>port

**Description** This command configures a range of encapsulation values.

**Parameters** **Values** encap-range

Specifies a range of encapsulation values on a port to be synchronized with a multi-chassis peer.

**Values** Dot1Q *start-vlan-end-vlan*  
QinQ *Q1.start-vlan-Q1.end-vlan*

**sync-tag** *sync-tag* — Specifies a synchronization tag up to 32 characters in length to be used while synchronizing this encapsulation value range with the multi-chassis peer.

### srrp

**Syntax** [**no**] srrp

**Context** config>redundancy>multi-chassis>peer>sync

**Description** This command specifies whether subscriber routed redundancy protocol (SRRP) information should be synchronized with the multi-chassis peer.

**Default** no srrp

### sub-mgmt

**Syntax** [**no**] sub-mgmt

**Context** config>redundancy>multi-chassis>peer>sync

**Description** This command specifies whether subscriber management information should be synchronized with the multi-chassis peer.

**Default** no sub-mgmt



---

## Multi-Chassis Ring Commands

### mc-ring

**Syntax** [no] mc-ring

**Context** config>redundancy>mc>peer  
config>redundancy>multi-chassis>peer>sync

**Description** This command enables the context to configure the multi-chassis ring parameters.

### ring

**Syntax** ring sync-tag [create]  
no ring sync-tag

**Context** config>redundancy>mc>peer>mcr

**Description** This command configures a multi-chassis ring.

**Parameters**      **Values**      sync-tag

Specifies a synchronization tag to be used while synchronizing this port with the multi-chassis peer.

**create** — Keyword used to create the multi-chassis peer ring instance. The **create** keyword requirement can be enabled/disabled in the **environment>create** context.

### in-band-control-path

**Syntax** in-band-control-path

**Context** config>redundancy>mc>peer>mcr>ring

**Description** This command enables the context to configure multi-chassis ring inband control path parameters.

## Multi-Chassis Redundancy Commands

### dst-ip

|                    |                                                                                                                                                                |
|--------------------|----------------------------------------------------------------------------------------------------------------------------------------------------------------|
| <b>Syntax</b>      | <b>dst-ip</b> <i>ip-address</i><br><b>no dst-ip</b>                                                                                                            |
| <b>Context</b>     | config>redundancy>mc>peer>mcr>ring>in-band-control-path<br>config>redundancy>mc>peer>mcr>node>cv                                                               |
| <b>Description</b> | This command specifies the destination IP address used in the inband control connection. If the address is not configured, the ring cannot become operational. |
| <b>Parameters</b>  | <i>ip-address</i> — Specifies the destination IP address.                                                                                                      |

### interface

|                    |                                                                                                                                                                |
|--------------------|----------------------------------------------------------------------------------------------------------------------------------------------------------------|
| <b>Syntax</b>      | <b>interface</b> <i>ip-int-name</i><br><b>no interface</b>                                                                                                     |
| <b>Context</b>     | config>redundancy>mc>peer>mcr>ring>in-band-control-path                                                                                                        |
| <b>Description</b> | This command specifies the name of the IP interface used for the inband control connection. If the name is not configured, the ring cannot become operational. |

### service-id

|                    |                                                                                                                                                                                                                                                                                                                        |
|--------------------|------------------------------------------------------------------------------------------------------------------------------------------------------------------------------------------------------------------------------------------------------------------------------------------------------------------------|
| <b>Syntax</b>      | <b>service-id</b> <i>service-id</i><br><b>no service-id</b>                                                                                                                                                                                                                                                            |
| <b>Context</b>     | config>redundancy>mc>peer>mcr>ring>ibc<br>config>redundancy>mc>peer>mcr>node>cv                                                                                                                                                                                                                                        |
| <b>Description</b> | This command specifies the service ID if the interface used for the inband control connection belongs to a VPRN service. If not specified, the <i>service-id</i> is zero and the interface must belong to the Base router.<br><br>The <b>no</b> form of the command removes the service-id from the IBC configuration. |
| <b>Parameters</b>  | <i>service-id</i> — Specifies the service ID if the interface.<br><br><b>Values</b> <i>service-id:</i> 1 — 2147483647                                                                                                                                                                                                  |

### path-b

|                    |                                                                                                                                                                |
|--------------------|----------------------------------------------------------------------------------------------------------------------------------------------------------------|
| <b>Syntax</b>      | <b>[no] path-b</b>                                                                                                                                             |
| <b>Context</b>     | config>redundancy>mc>peer>mcr>ring                                                                                                                             |
| <b>Description</b> | This command specifies the set of upper-VLAN IDs associated with the SAPs that belong to path B with respect to load-sharing. All other SAPs belong to path A. |

**Default** If not specified, the default is an empty set.

## range

**Syntax** **[no] range** *vlan-range*

**Context** config>redundancy>mc>peer>mcr>ring>path-b  
config>redundancy>mc>peer>mcr>ring>path-excl

**Description** This command configures a MCR b-path VLAN range.

**Parameters** *vlan-range* — Specifies the VLAN range.

**Values** [0 — 4094] — [0 — 4094]

## path-excl

**Syntax** **[no] path-excl**

**Context** config>redundancy>mc>peer>mcr>ring

**Description** This command specifies the set of upper-VLAN IDs associated with the SAPs that are to be excluded from control by the multi-chassis ring.

**Default** If not specified, the default is an empty set.

## ring-node

**Syntax** **ring-node** *ring-node-name* [**create**]  
**no ring-node** *ring-node-name*

**Context** config>redundancy>mc>peer>mcr>ring

**Description** This command specifies the unique name of a multi-chassis ring access node.

**Parameters** *ring-node-name* — Specifies the unique name of a multi-chassis ring access node.

**create** — Keyword used to create the ring node instance. The **create** keyword requirement can be enabled/disabled in the **environment>create** context.

## connectivity-verify

- Syntax** **connectivity-verify**
- Context** config>redundancy>mc>peer>mcr>ring>ring-node
- Description** This command enables the context to configure node connectivity check parameters.

## interval

- Syntax** **interval** *interval*  
**no interval**
- Context** config>redundancy>mc>peer>mcr>node>cv
- Description** This command specifies the polling interval of the ring-node connectivity verification of this ring node.
- Default** 5
- Parameters** *interval* — Specifies the polling interval, in minutes.  
**Values** 1 — 6000

## service-id

- Syntax** **service-id** *service-id*  
**no service-id**
- Context** config>redundancy>mc>peer>mcr>node>cv
- Description** This command specifies the service ID of the SAP used for the ring-node connectivity verification of this ring node.
- Default** no service-id
- Parameters** *service-id* — Specifies the service ID of the SAP.  
**Values** 1 — 2147483647  
**Values** *service-id:* 1 — 2147483647

## src-ip

|                    |                                                                                                                 |
|--------------------|-----------------------------------------------------------------------------------------------------------------|
| <b>Syntax</b>      | <b>src-ip</b> <i>ip-address</i><br><b>no src-ip</b>                                                             |
| <b>Context</b>     | config>redundancy>mc>peer>mcr>node>cv                                                                           |
| <b>Description</b> | This command specifies the source IP address used in the ring-node connectivity verification of this ring node. |
| <b>Default</b>     | no src-ip                                                                                                       |
| <b>Parameters</b>  | <i>ip-address</i> — Specifies the source IP address.                                                            |

## src-mac

|                    |                                                                                                                                                                                                                                                                |
|--------------------|----------------------------------------------------------------------------------------------------------------------------------------------------------------------------------------------------------------------------------------------------------------|
| <b>Syntax</b>      | <b>src-mac</b> <i>ieee-address</i><br><b>no src-mac</b>                                                                                                                                                                                                        |
| <b>Context</b>     | config>redundancy>mc>peer>mcr>node>cv                                                                                                                                                                                                                          |
| <b>Description</b> | This command specifies the source MAC address used for the Ring-Node Connectivity Verification of this ring node.<br><br>A value of all zeroes (000000000000 H (0:0:0:0:0:0)) specifies that the MAC address of the system management processor (CPM) is used. |
| <b>Default</b>     | no src-mac                                                                                                                                                                                                                                                     |
| <b>Parameters</b>  | <i>ieee-address</i> — Specifies the source MAC address.                                                                                                                                                                                                        |

## vlan

|                    |                                                                                                                                                                                                                                                                                                        |             |       |      |  |      |             |  |      |          |  |       |          |  |       |          |
|--------------------|--------------------------------------------------------------------------------------------------------------------------------------------------------------------------------------------------------------------------------------------------------------------------------------------------------|-------------|-------|------|--|------|-------------|--|------|----------|--|-------|----------|--|-------|----------|
| <b>Syntax</b>      | <b>vlan</b> [ <i>vlan-encap</i> ]<br><b>no vlan</b>                                                                                                                                                                                                                                                    |             |       |      |  |      |             |  |      |          |  |       |          |  |       |          |
| <b>Context</b>     | config>redundancy>mc>peer>mcr>node>cv                                                                                                                                                                                                                                                                  |             |       |      |  |      |             |  |      |          |  |       |          |  |       |          |
| <b>Description</b> | This command specifies the VLAN tag used for the Ring-node Connectivity Verification of this ring node. It is only meaningful if the value of service ID is not zero. A zero value means that no VLAN tag is configured.                                                                               |             |       |      |  |      |             |  |      |          |  |       |          |  |       |          |
| <b>Default</b>     | no vlan                                                                                                                                                                                                                                                                                                |             |       |      |  |      |             |  |      |          |  |       |          |  |       |          |
| <b>Parameters</b>  | <i>vlan-encap</i> — Specifies the VLAN tag.                                                                                                                                                                                                                                                            |             |       |      |  |      |             |  |      |          |  |       |          |  |       |          |
| <b>Values</b>      | <table> <tr> <td>vlan-encap:</td> <td>dot1q</td> <td>qtag</td> </tr> <tr> <td></td> <td>qinq</td> <td>qtag1.qtag2</td> </tr> <tr> <td></td> <td>qtag</td> <td>0 — 4094</td> </tr> <tr> <td></td> <td>qtag1</td> <td>1 — 4094</td> </tr> <tr> <td></td> <td>qtag2</td> <td>0 — 4094</td> </tr> </table> | vlan-encap: | dot1q | qtag |  | qinq | qtag1.qtag2 |  | qtag | 0 — 4094 |  | qtag1 | 1 — 4094 |  | qtag2 | 0 — 4094 |
| vlan-encap:        | dot1q                                                                                                                                                                                                                                                                                                  | qtag        |       |      |  |      |             |  |      |          |  |       |          |  |       |          |
|                    | qinq                                                                                                                                                                                                                                                                                                   | qtag1.qtag2 |       |      |  |      |             |  |      |          |  |       |          |  |       |          |
|                    | qtag                                                                                                                                                                                                                                                                                                   | 0 — 4094    |       |      |  |      |             |  |      |          |  |       |          |  |       |          |
|                    | qtag1                                                                                                                                                                                                                                                                                                  | 1 — 4094    |       |      |  |      |             |  |      |          |  |       |          |  |       |          |
|                    | qtag2                                                                                                                                                                                                                                                                                                  | 0 — 4094    |       |      |  |      |             |  |      |          |  |       |          |  |       |          |

---

## Forwarding Plane Commands

### fp

**Syntax** `fp [fp-number]`

**Context** `config>card`

**Description** This command enables the context to configure multicast path management commands for IOM-3 ingress multicast management. Ingress multicast management manages multicast switch fabric paths which are forwarding plane specific. On IOM-1 and IOM-2, each MDA has a dedicated forwarding plane and so have dedicated multicast paths to the switch fabric allowing the multicast management to be defined per MDA. IOM-3 has a single forwarding plane shared by two MDAs. The fp node simplifies ingress multicast management on IOM-3.

While IOM-3 only has a single forwarding plane. In future releases, to accommodate multiple forwarding planes, each forwarding plane will be assigned a value. The default forwarding plane is 1. When entering the fp node, if the forwarding plane number is omitted, the system will assume forwarding plane number 1.

**Parameters** *fp-number* — The fp-number parameter is optional following the **fp** command. If omitted, the system assumes forwarding plane number 1.

**Values** 1

**Default** 1

### dist-cpu-protection

**Syntax** `dist-cpu-protection policy-name`  
`no dist-cpu-protection`

**Context** `config>card>fp`

**Description** This command specifies the protocol name to be monitored by Distributed CPU Protection Policy.

### egress

**Syntax** `egress`

**Context** `config>card>fp`

**Description** This command enables the egress **fp** node that contains the multicast path management configuration commands for IOM-3 ingress multicast management.

## wred-queue-control

|                    |                                                                                                                                              |
|--------------------|----------------------------------------------------------------------------------------------------------------------------------------------|
| <b>Syntax</b>      | <b>wred-queue-control</b>                                                                                                                    |
| <b>Context</b>     | config>card>fp>egress                                                                                                                        |
| <b>Description</b> | This command enables the context to configure the aggregate WRED queue parameters for all WRED queues on an egress IOM3-XP forwarding plane. |

## buffer-allocation

|                    |                                                                                                                                                                                                                                                                                                                                                                                                                                                                                                                                                                                                                                                                                                                                                                                                                                                                                                                                                                                                                                                                                                                                                                                                                                                                                                                                                                                                                                                                                                                                                                                                                                                                                                                                                                                                                                                                                                                                                                                                                                                                                                                                                                                                                                                                                                                                                                                                                                                                                                                    |
|--------------------|--------------------------------------------------------------------------------------------------------------------------------------------------------------------------------------------------------------------------------------------------------------------------------------------------------------------------------------------------------------------------------------------------------------------------------------------------------------------------------------------------------------------------------------------------------------------------------------------------------------------------------------------------------------------------------------------------------------------------------------------------------------------------------------------------------------------------------------------------------------------------------------------------------------------------------------------------------------------------------------------------------------------------------------------------------------------------------------------------------------------------------------------------------------------------------------------------------------------------------------------------------------------------------------------------------------------------------------------------------------------------------------------------------------------------------------------------------------------------------------------------------------------------------------------------------------------------------------------------------------------------------------------------------------------------------------------------------------------------------------------------------------------------------------------------------------------------------------------------------------------------------------------------------------------------------------------------------------------------------------------------------------------------------------------------------------------------------------------------------------------------------------------------------------------------------------------------------------------------------------------------------------------------------------------------------------------------------------------------------------------------------------------------------------------------------------------------------------------------------------------------------------------|
| <b>Syntax</b>      | <b>buffer-allocation min <i>percentage</i> max <i>percentage</i></b><br><b>no buffer-allocation</b>                                                                                                                                                                                                                                                                                                                                                                                                                                                                                                                                                                                                                                                                                                                                                                                                                                                                                                                                                                                                                                                                                                                                                                                                                                                                                                                                                                                                                                                                                                                                                                                                                                                                                                                                                                                                                                                                                                                                                                                                                                                                                                                                                                                                                                                                                                                                                                                                                |
| <b>Context</b>     | config>card>fp>egress>max-wred-control                                                                                                                                                                                                                                                                                                                                                                                                                                                                                                                                                                                                                                                                                                                                                                                                                                                                                                                                                                                                                                                                                                                                                                                                                                                                                                                                                                                                                                                                                                                                                                                                                                                                                                                                                                                                                                                                                                                                                                                                                                                                                                                                                                                                                                                                                                                                                                                                                                                                             |
| <b>Description</b> | <p>The buffer-allocation command defines the amount of IOM3-XP buffers that will be set aside for WRED queue buffer pools. <b>Note</b> that the <b>min <i>percentage</i></b> and <b>max <i>percentage</i></b> parameters must be set to the same value. The IOM3-XP protects against cross application buffer starvation by implementing a hierarchy of buffer pools. At the top of the hierarchy are mega-pools. Mega-pools are used to manage buffers at a system application level. Two mega-pools are currently used by the system. The first (default) mega-pool services all non-WRED type queues and when WRED queues are not enabled will contain all available forwarding plane queue buffers. When WRED queuing is enabled, the second mega-pool (the WRED mega-pool) is given buffers from the default mega-pool based on the buffer-allocation command and the size is further fine-tuned by the forwarding class oversubscription factors.</p> <p>The mega-pools provide buffers to the second tier buffer pools. The default mega-pool services all default pools and explicitly created named pools. As the name implies, the WRED mega-pool services all the WRED buffer pools created for the WRED queues. The WRED mega-pool allows each WRED queue pool to be configured to an appropriate size while allowing the sum of the WRED queue pool sizes to oversubscribe the total amount set aside for WRED queue buffering without affecting the queues using the default or named pools. Further oversubscription controls are described within the resv-cbs command later in this document.</p> <p>The WRED mega-pool is allowed to expand between the min and max percent of total forwarding plane buffers based on the sum of the WRED queue sizes and the WRED oversubscription factors. As the WRED mega-pool grows, the number of buffers available to the default mega-pool will shrink. If the WRED mega-pool shrinks, the default mega-pool will grow accordingly. When min and max are defined as the same value, the WRED mega-pool size will not fluctuate and the oversubscription factors will have no effect.</p> <p>No buffers are allocated to the WRED mega-pool until the wred-queue-control shutdown command is set to no shutdown. When the shutdown command is executed, all buffers allocated to the WRED mega-pool are returned to the default mega-pool and all WRED queues are returned either to their default buffer pool or their specified named buffer pool.</p> |

### FC MBS Oversubscription Factors and WRED Mega-Pool Sizing

Each WRED queue in a SAP egress QoS policy is created on an egress IOM3-XP when the policy is applied to an egress SAP on the IOM and at least one forwarding class is mapped to the queue. For WRED queue buffer management purposes, each forwarding class is configured with an MBS oversubscription factor (OSF) on the IOM using the **osf** command. The MBS oversubscription factor is used by the system as a pro-

## Multi-Chassis Redundancy Commands

visioning parameter that defines the acceptable level of oversubscription between the sum of the maximum buffer sizes (mbs) of the WRED queues for a given class and the number of buffers for that class in the WRED mega-pool. Since multiple forwarding classes may be mapped to the same queue, the oversubscription factor associated with the highest forwarding class mapped is used for dynamically sizing the WRED mega-pool.

As an example, when a WRED queue is configured with the following attributes:

- MBS equal to 10Kbytes
- AF as the highest forwarding class mapped

And the forwarding plane on the IOM3-XP is configured with the following WRED limits:

- Current WRED mega-pool is sized at 500Kbytes
- AF MBS oversubscription factor is 2 (2:1)

The system will increase the WRED mega-pool size to 505Kbytes (increase of 10Kbytes/2) as long as the maximum buffer allocation percentage equates to a value equal to or greater than 505Kbytes. (If not, the WRED mega-pool will be capped at the maximum level.)

The **no** form of the command immediately restores the default min and max percentage values for sizing the WRED mega-pool.

**Parameters** **min percent-of-total** — This required keyword defines the minimum percentage of total IOM3-XP queue buffers that will be applied to the WRED mega-pool. The value given for percent-of-total must be less than or equal to the value given for the **max percent-of-total**. Percentages are defined with an accuracy of hundredths of a percent in the nn.nn format (15.65 = 15.65%).

**Values** 0.00 — 99.99

**Default** 25.00

**max percent-of-total** — This required keyword defines the maximum percentage of total IOM3-XP queue buffers that may be applied to the WRED mega-pool. The value given for percent-of-total must be greater than or equal to the value given for the **min percent-of-total**. Percentages are defined with an accuracy of hundredths of a percent in the nn.nn format (15.65 = 15.65%).

**Values** 0.01 — 99.99

**Default** 25.00

### resv-cbs

**Syntax** **resv-cbs min percentage max percentage**  
**no resv-cbs**

**Context** config>card>fp>egress>max-wred-control

**Description** This command defines the amount of IOM3-XP buffers within the WRED mega-pool that will be set aside for WRED queues operating within their configured CBS thresholds. **Note** that the **min percentage** and **max percentage** parameters must be set to the same value. The IOM3-XP protects against WRED queue buffer starvation by setting aside a portion of the buffers within the WRED mega-pool. The WRED queue CBS threshold defines when a WRED queue requests buffers from reserved portion of the WRED mega-pool and when it starts requesting buffers from the shared portion of the mega-pool. With proper oversubscription



provisioning, this prevents a seldom active queue from being denied a buffer from the mega-pool when the shared portion of the mega-pool is congested. Further control over shared congestion is defined later in this document under the `slope-policy` command.

The WRED mega-slope reserve CBS size is controlled in the same manner as the overall sizing of the WRED mega-pool. A min and max parameter is provided to scope the range that the reserved portion based on percentages of the WRED mega-pool current size. Forwarding class `cbs-factor` settings are used in the same way as the `mbs-factor` parameters to move the actual reserved size between the minimum and maximum thresholds according to appropriate oversubscription factors that are applied to the sum of the WRED queue CBS values.

When min and max are defined as the same value, the WRED mega-pool size will not fluctuate and the oversubscription factors will have no effect.

### FC CBS Oversubscription Factors and WRED CBS Reserve Sizing

Each WRED queue in a SAP egress QoS policy is created on an egress IOM3-XP when the policy is applied to an egress SAP on the IOM and at least one forwarding class is mapped to the queue. For WRED queue CBS buffer management purposes, each forwarding class is configured with a CBS oversubscription factor (OSF) on the IOM using the `osf` command. The CBS oversubscription factor is used by the system as a provisioning parameter that defines the acceptable level of oversubscription between the sum of the committed buffer sizes (CBS) of the WRED queues for a given class and the number of buffers for that class that should be placed in the WRED mega-pool CBS reserve. Since multiple forwarding classes may be mapped to the same queue, the oversubscription factor associated with the highest forwarding class mapped is used for dynamically sizing the WRED mega-pool CBS reserve.

As an example, when a WRED queue is configured with the following attributes:

- CBS equal to 6Kbytes
- AF as the highest forwarding class mapped

And the forwarding plane on the IOM3-XP is configured with the following WRED limits:

- Current WRED mega-pool CBS reserve is sized at 100Kbytes
- AF CBS oversubscription factor is 2 (2:1)

The system will increase the WRED mega-pool CBS reserve size to 103Kbytes (increase of 6Kbytes/2) as long as the maximum buffer allocation percentage for `resv-cbs` equates to a value equal to or greater than 103Kbytes. (If not, the WRED mega-pool CBS reserve will be capped at the maximum level.)

The `no` form of the command immediately restores the default min and max percentage values for sizing the WRED mega-pool CBS reserve.

**Parameters** **min** *percent-of-total* — This required keyword defines the minimum percentage of the IOM3-XP WRED mega-pool buffers that will be applied to the CBS reserve. The value given for `percent-of-wred` must be less than or equal to the value given for the `max percent-of-wred`. Percentages are defined with an accuracy of hundredths of a percent in the `nn.nn` format (15.65 = 15.65%).

**Values** 0.00 — 99.99

**Default** 25.00

**max** *percent-of-total* — This required keyword defines the maximum percentage of the IOM3-XP WRED mega-pool buffers that may be applied to the CBS reserve. The value given for `percent-of-wred` must be greater than or equal to the value given for the `min percent-of-wred`. Percentages are defined with an

## Multi-Chassis Redundancy Commands

accuracy of hundredths of a percent in the nn.nn format (15.65 = 15.65%).

**Values** 0.01 — 99.99

**Default** 25.00

### slope-policy

**Syntax** **slope-policy** *slope-policy-name*  
**no slope-policy**

**Context** config>card>fp>egress>max-wred-control

**Description** This command configures WRED slopes within the WRED mega-pool. The WRED slopes in the WRED mega-pool are used when WRED queues are requesting buffers from the mega-pool while they are over their CBS threshold. Once over the CBS threshold, the WRED queue stops receiving buffers from the CBS reserve in the mega-pool and starts competing for buffers in the shared portion of the mega-pool. If the packet resulting in the buffer request is in-profile, the packet will be associated with the high priority slope. Out-of-profile packets are associated with the low priority slope. While the queue is within its CBS threshold, the slopes are ignored.

Within the defined slope-policy, each slope is enabled or disabled (no shutdown or shutdown) and each slope's geometry is defined as percentages of shared portion depth.

The slope-policy also defines the time average factor (TAF) value that is used to determine how the pool's weighted average depth is calculated. The higher the factor, the slower the average depth tracks the actual pool depth.

The **no** form of the command restores the default slope policy to the WRED mega-pool.

**Parameters** *slope-policy-name* — This required parameter specifies which slope policy the system should apply to the WRED mega-pool. When slope-policy is not executed, the WRED mega-pool will use the default slope policy. The defined slope policy must already exist or the command will fail.

**Default** When not defined, the default slope policy is used

### hi-bw-mcast-src

**Syntax** **hi-bw-mcast-src** [**alarm**] [**group** *group-id*] [**default-paths-only**]  
**no hi-bw-mcast-src**

**Context** config>card>fp

**Description** This command designates the forwarding plane as a high-bandwidth IP multicast source, expecting the ingress traffic to include high-bandwidth IP multicast traffic. When configured, the system attempts to allocate a dedicated multicast switch fabric plane (MSFP) to the forwarding plane. If a group is specified, all FPs in the group will share the same MSFP. If the alarm parameter is specified and the system cannot allocate a dedicated MSFP to the new group or FP, the FPs will be brought online and generate an event (SYSTEM: 2052 - mdaHiBwMulticastAlarm). Similarly, if during normal operation there is a failure or removal of resources, an event will be generated if the system cannot maintain separation of MSFPs for the MDAs.

This feature is supported on the 7750 SR-7 and 7750 SR-12.

The **no** form of the command removes the high-bandwidth IP multicast source designation from the forwarding plane.

**Default** no hi-bw-mcast-src

**Parameters**

- alarm** — Enables event generation if the MDA is required to share an MSFP with another MDA that is in a different group. MDAs within the same group sharing an MSFP will not cause this alarm.
- group** *group-id* — Specifies the logical MSFP group for the MDA. MDAs configured with the same *group-id* will be placed on the same MSFP.
  - Values** 0 — 32 (A value of 0 removes the MDA from the group.)
  - Default** By default, “none” is used, and the system will attempt to assign a unique MSFP to the MDA.
- default-paths-only** — When this parameter is specified the system will only attempt to allocate the two default paths (one high priority and one low priority) to dedicated MSFPs.

## shutdown

**Syntax** [no] shutdown

**Context** config>card>fp>egress>max-wred-control

**Description** This command enables or disables egress WRED queue support on the IOM. By default, WRED queue support is disabled (shutdown). While disabled, the various wred-queue-control commands may be executed on the IOM and SAP egress QoS policies with wred-queue enabled may be applied to egress SAPs. The IOM will allocate WRED pools to the WRED queues and the appropriate WRED mega-pool size and CBS reserve size will be calculated, but the WRED mega-pool will be empty and all buffers will be allocated to the default mega-pool. Each WRED queue will be mapped to either its appropriate default pool or an explicitly defined named pool.

Once the **no shutdown** command is executed, the calculated WRED mega-pool buffers will be moved from the default mega-pool to the WRED mega-pool. The WRED mega-pool CBS reserve size will be applied and each egress WRED queue will be moved from its default mega-pool buffer pool to its WRED pool within the WRED mega-pool hierarchy.

The **no** form of the command enables WRED queuing on an egress IOM3-XP.

## ingress

**Syntax** ingress

**Context** config>card>fp

**Description** The ingress CLI node within the **fp** node contains the multicast path management configuration commands for IOM-3 ingress multicast management. The **bandwidth-policy** command is supported within the ingress node.

### stable-pool-sizing

**Syntax** [no] stable-pool-sizing

**Context** config>card>fp

**Description** The stable-pool-sizing command is used to provide a stable buffer pool allocation environment for all default port buffer pools on a forwarding plane. This stable environment is provided at the expense of optimal buffer allocation between the various port buffer pools. Normally, port pools are sized according to a ports relative bandwidth with other ports and the ability of a port to use pool buffers. As an example, on a forwarding plane with two potential MDAs and only one equipped, the normal behavior is to provide all available default pool buffers to the ports on the currently equipped MDA. If a second MDA is equipped in the future, buffers are freed from the existing MDA and provided to the ports on the new MDA. Stable pool sizing alters this behavior by reserving buffers for both MDAs whether they are equipped or not thus preventing a resizing event when an MDA is equipped. In addition, existing ports on a module always receive their maximum bandwidth share of buffers independent on any sub-rate condition that may currently exist. This provides a stable amount of buffers to other ports on the module independent of link or configuration events that may occur on the port.

Stable pool sizing preserves the ability to modify the effective bandwidth used to determine a port's relative share of the available buffers through the use of the ing-percentage-of-rate and egr-percentage-of-rate commands under the port configuration. Changing the values associated with these commands will cause a reevaluation of buffer distribution and thus a possible resizing of pools on each port within the module. These commands have no effect on ports associated with other modules on the forwarding plane.

Stable pool sizing is mutually exclusive with card level named-pool-mode. Named pool mode must be disabled and not operational before stable pool sizing can be enabled. Once stable pool sizing is enabled on any forwarding plane on a card, named-pool-mode cannot be enabled for that card.

Stable pool sizing may be enabled (while named pool mode is disabled) or disabled at any time on a forwarding plane. The system will dynamically change the pool sizes according to the stable pool sizing state.

The **no** stable-pool-sizing command is used to disable stable pool sizing on a forwarding plane. Existing buffer pools will be resized according to normal pool sizing behavior.

### access

**Syntax** access

**Context** config>card>fp>ingress

**Description** This CLI node contains the access forwarding-plane parameters.

## queue-group

|                    |                                                                                                                                                                                                                                                                                                                                                                                                                                                                                                                                                                                                                                                                                         |
|--------------------|-----------------------------------------------------------------------------------------------------------------------------------------------------------------------------------------------------------------------------------------------------------------------------------------------------------------------------------------------------------------------------------------------------------------------------------------------------------------------------------------------------------------------------------------------------------------------------------------------------------------------------------------------------------------------------------------|
| <b>Syntax</b>      | <b>queue-group</b> <i>queue-group-name</i> <b>instance</b> <i>instance-id</i> [ <b>create</b> ]<br><b>no queue-group</b>                                                                                                                                                                                                                                                                                                                                                                                                                                                                                                                                                                |
| <b>Context</b>     | config>card>fp>ingress>access                                                                                                                                                                                                                                                                                                                                                                                                                                                                                                                                                                                                                                                           |
| <b>Description</b> | <p>This command creates an instance of a named queue group template on the ingress forwarding plane of a given IOM/IMM. The <i>queue-group-name</i> and <b>instance</b> <i>instance-id</i> are mandatory parameters when executing the command.</p> <p>The named queue group template can contain only policers. If it contains queues, then the command will fail.</p> <p>The <b>no</b> form of the command deletes a specific instance of a queue group.</p>                                                                                                                                                                                                                          |
| <b>Default</b>     | none                                                                                                                                                                                                                                                                                                                                                                                                                                                                                                                                                                                                                                                                                    |
| <b>Parameters</b>  | <p><i>queue-group-name</i> — Specifies the name of the queue group template to be instantiated on the forwarding plane of the IOM/IMM, up to 32 characters in length. The <i>queue-group-name</i> must correspond to a valid ingress queue group template name, configured under <b>config&gt;qos&gt;queue-group-templates</b>.</p> <p><i>instance-id</i> — specifies the instance of the named queue group to be created on the IOM/IMM ingress forwarding plane.</p> <p><b>Values</b>      1 — 16383</p> <p><b>create</b> — Keyword used to associate the queue group. The <b>create</b> keyword requirement can be enabled/disabled in the <b>environment&gt;create</b> context.</p> |

## queue-group

|                    |                                                                                                                                                                                                                                                                                                                                                                                                                                                                                                                                                                                                                                                                                                                                                                                                                                                                                                                              |
|--------------------|------------------------------------------------------------------------------------------------------------------------------------------------------------------------------------------------------------------------------------------------------------------------------------------------------------------------------------------------------------------------------------------------------------------------------------------------------------------------------------------------------------------------------------------------------------------------------------------------------------------------------------------------------------------------------------------------------------------------------------------------------------------------------------------------------------------------------------------------------------------------------------------------------------------------------|
| <b>Syntax</b>      | <b>queue-group</b> <i>queue-group-name</i> <b>instance</b> <i>instance-id</i><br><b>no queue-group</b>                                                                                                                                                                                                                                                                                                                                                                                                                                                                                                                                                                                                                                                                                                                                                                                                                       |
| <b>Context</b>     | config>card>fp>ingress>network                                                                                                                                                                                                                                                                                                                                                                                                                                                                                                                                                                                                                                                                                                                                                                                                                                                                                               |
| <b>Description</b> | <p>This command is used to create a queue-group instance in the network ingress context of a forwarding plane.</p> <p>Only a queue-group containing policers can be instantiated. If the queue-group template contains policers and queues, the queues are not instantiated. If the queue-group contains queues only, the instantiation in the data path is failed.</p> <p>One or more instances of the same policer queue-group name and/or a different policer queue-group name can be created on the network ingress context of a forwarding plane.</p> <p>The <i>queue-group-name</i> must be unique within all network ingress and access ingress queue groups in the system. The <i>queue-group instance-id</i> must be unique within the context of the forwarding plane.</p> <p>The <b>no</b> version of this command deletes the queue-group instance from the network ingress context of the forwarding plane.</p> |
| <b>Default</b>     | none                                                                                                                                                                                                                                                                                                                                                                                                                                                                                                                                                                                                                                                                                                                                                                                                                                                                                                                         |
| <b>Parameters</b>  | <i>queue-group-name</i> — Specifies the name of the queue group template up to 32 characters in length.                                                                                                                                                                                                                                                                                                                                                                                                                                                                                                                                                                                                                                                                                                                                                                                                                      |

## Multi-Chassis Redundancy Commands

*instance-id* — pecifies the identification of a specific instance of the queue-group.

**Values** 1— 16384

### accounting-policy

**Syntax** **accounting-policy** *policy-name*  
**no accounting-policy**

**Context** config>card>fp>ingress>access>queue-group  
config>card>fp>ingress>network>queue-group

**Description** This command configures an accounting policy that can apply to a queue-group on the forwarding plane. An accounting policy must be configured before it can be associated to an interface. If the accounting *policy-id* does not exist, an error is returned. Accounting policies associated with service billing can only be applied to SAPs. The accounting policy can be associated with an interface at a time. The **no** form of this command removes the accounting policy association from the queue-group.

**Default** No accounting policies are specified by default. You must explicitly specify a policy. If configured, the accounting policy configured as the default is used.

**Parameters** *policy-name* — Specifies the name of the accounting policy to use for the queue-group.

### collect-stats

**Syntax** [**no**] **collect-stats**

**Context** config>card>fp>ingress>access>queue-group  
config>card>fp>ingress>network>queue-group

**Description** This command enables the collection of accounting and statistical data for the queue group on the forwarding plane. When applying accounting policies, the data, by default, is collected in the appropriate records and written to the designated billing file.

When the **no collect-stats** command is issued, the statistics are still accumulated, however, the CPU does not obtain the results and write them to the billing file. If the **collect-stats** command is issued again (enabled), then the counters written to the billing file will include the traffic collected while the **no collect-stats** command was in effect.

**Default** no collect-stats

## policer-control-policy

|                    |                                                                                                                                                                                                                    |
|--------------------|--------------------------------------------------------------------------------------------------------------------------------------------------------------------------------------------------------------------|
| <b>Syntax</b>      | <b>policer-control-policy</b> <i>policy-name</i><br><b>no policer-control-policy</b>                                                                                                                               |
| <b>Context</b>     | config>card>fp>ingress>access>queue-group<br>config>card>fp>ingress>network>queue-group                                                                                                                            |
| <b>Description</b> | This command configures an policer-control policy that can apply to a queue-group on the forwarding plane. The <b>no</b> form of this command removes the policer-control policy association from the queue-group. |
| <b>Default</b>     | No policer-control policies are specified by default. You must explicitly specify a policy.                                                                                                                        |
| <b>Parameters</b>  | <i>policy-name</i> — Specifies the name of the policer-control policy to use for the queue-group.                                                                                                                  |

## ingress-buffer-allocation

|                    |                                                                                                                                                                                                                                                                                                                                                                                                                                                                                                                                                                                                                                                                                |
|--------------------|--------------------------------------------------------------------------------------------------------------------------------------------------------------------------------------------------------------------------------------------------------------------------------------------------------------------------------------------------------------------------------------------------------------------------------------------------------------------------------------------------------------------------------------------------------------------------------------------------------------------------------------------------------------------------------|
| <b>Syntax</b>      | <b>ingress-buffer-allocation</b> <i>hundredths-of-a-percent</i><br><b>no ingress-buffer-allocation</b>                                                                                                                                                                                                                                                                                                                                                                                                                                                                                                                                                                         |
| <b>Context</b>     | config>card>fp>ingress                                                                                                                                                                                                                                                                                                                                                                                                                                                                                                                                                                                                                                                         |
| <b>Description</b> | This command allows the user to configure an ingress buffer allocation percentage per forwarding plane from 20.00% to 80.00%. Ingress buffer allocation applies to user-accessible buffers (total buffers less those reserved for system use).<br><br>The ingress buffer allocation percentage determines how much of the user-accessible buffers will be available for ingress purposes. The remaining buffers will be available for egress purposes.<br><br><b>NOTE:</b> This feature is supported on all 50G FP2-based line cards and 100G/200G FP3-based line cards.<br><br>The <b>no</b> form of this command returns the ingress buffer allocation to the default value. |
| <b>Default</b>     | The default value is 50.00%, which emulates the legacy behavior.                                                                                                                                                                                                                                                                                                                                                                                                                                                                                                                                                                                                               |

## max-rate

|                    |                                                                                                                                                                                                                                                                                                                                                                                                                                                                                                                                                                                                                                                                                                                |
|--------------------|----------------------------------------------------------------------------------------------------------------------------------------------------------------------------------------------------------------------------------------------------------------------------------------------------------------------------------------------------------------------------------------------------------------------------------------------------------------------------------------------------------------------------------------------------------------------------------------------------------------------------------------------------------------------------------------------------------------|
| <b>Syntax</b>      | <b>max-rate</b> { <i>kilobits-per-second</i>   <b>max</b> }<br><b>no max-rate</b>                                                                                                                                                                                                                                                                                                                                                                                                                                                                                                                                                                                                                              |
| <b>Context</b>     | config>card>fp>ingress>acc>qgrp>policer-ctrl-over<br>config>card>fp>ingress>network>qgrp>policer-ctrl-over                                                                                                                                                                                                                                                                                                                                                                                                                                                                                                                                                                                                     |
| <b>Description</b> | This command defines the parent policer's PIR leaky bucket's decrement rate. A parent policer is created for each time the policer-control-policy is applied to either a SAP or subscriber instance. Packets that are not discarded by the child policers associated with the SAP or subscriber instance are evaluated against the parent policer's PIR leaky bucket.<br><br>For each packet, the bucket is first decremented by the correct amount based on the decrement rate to derive the current bucket depth. The current depth is then compared to one of two discard thresholds associated with the packet. The first discard threshold (discard-unfair) is applied if the FIR (Fair Information Rate) |

## Multi-Chassis Redundancy Commands

leaky bucket in the packet's child policer is in the conforming state. The second discard threshold (discard-all) is applied if the child policer's FIR leaky bucket is in the exceed state. Only one of the two thresholds is applied per packet. If the current depth of the parent policer PIR bucket is less than the threshold value, the parent PIR bucket is in the conform state for that particular packet. If the depth is equal to or greater than the applied threshold, the bucket is in the violate state for the packet.

If the result is "conform," the bucket depth is increased by the size of the packet (plus or minus the per-packet-offset setting in the child policer) and the packet is not discarded by the parent policer. If the result is "violate," the bucket depth is not increased and the packet is discarded by the parent policer. When the parent policer discards a packet, any bucket depth increases (PIR, CIR and FIR) in the parent policer caused by the packet are canceled. This prevents packets that are discarded by the parent policer from consuming the child policers PIR, CIR and FIR bandwidth.

The **policer-control-policy root max-rate** setting may be overridden on each SAP or sub-profile where the policy is applied.

**Default** max

**Parameters** *kilobits-per-second* — Defining a kilobits-per-second value is mutually exclusive with the max parameter. The kilobits-per-second value must be defined as an integer that represents the number of kilobytes that the parent policer will be decremented per second. The actual decrement is performed per packet based on the time that has elapsed since the last packet associated with the parent policer.

**Values** Integer 0 – 2000000000

*max* — The **max** parameter is mutually exclusive with defining a **kilobits-per-second** value. When max is specified, the parent policer does not enforce a maximum rate on the aggregate throughput of the child policers. This is the default setting when the **policer-control-policy** is first created and is the value that the parent policer returns to when no max-rate is executed. In order for the parent policer to be effective, a kilobits-per-second value should be specified.

*no max-rate* — The **no max-rate** command returns the policer-control-policy's parent policer maximum rate to max.

## priority-mbs-thresholds

**Syntax** **priority-mbs-thresholds**

**Context** config>card>fp>ingress>access>queue-group>policer-control-override  
config>card>fp>ingress>network>queue-group>policer-control-override

**Description** This command contains the root arbiter parent policer's **min-thresh-separation** command and each priority level's **mbs-contribution** command that is used to internally derive each priority level's shared-portion and fair-portion values. The system uses each priority level's shared-portion and fair-portion value to calculate each priority level's discard-unfair and discard-all MBS thresholds that enforce priority sensitive rate-based discards within the root arbiter's parent policer.

The **priority-mbs-thresholds** CLI node always exists and does not need to be created.

**Default** None.



## min-thresh-separation

**Syntax** **min-thresh-separation** *size* [bytes | kilobytes]  
**no min-thresh-separation**

**Context** config>card>fp>ingress>access>queue-group>policer-control-override>priority-mbs-thresholds  
 config>card>fp>ingress>network>queue-group>policer-control-override>priority-mbs-thresholds

**Description** This command defines the minimum required separation between each in-use discard threshold maintained for each parent policer context associated with the policer-control-policy. The min-thresh-separation value may be overridden on each SAP or sub-profile to which the policy is applied.

The system uses the default or specified min-thresh-separation value in order to determine the minimum separation required between each of the of the parent policer discard thresholds. The system enforces the minimum separation based on the following behavior in two ways. The first is determining the size of the shared-portion for each priority level (when the **mbs-contribution** command's optional fixed keyword is not specified):

- When a parent policer instance's priority level has less than two child policers associated, the shared-portion for the level will be zero.
- When a parent policer instance's priority level has two or more child policers associated, the shared-portion for the level will be equal to the current value of **min-thresh-separation**.

The second function the system uses the **min-thresh-separation** value for is determining the value per priority level for the fair-portion:

- When a parent policer instance's priority level has no child policers associated, the fair-portion for the level will be zero.
- When a parent policer instance's priority level has one child policer associated, the fair-portion will be equal to the maximum of the min-thresh-separation value and the priority level's mbs-contribution value.
- When a parent policer instance's priority level has two or more child policers associated, the fair-portion will be equal to the maximum of the following:

–**min-thresh-separation** value

–The priority level's **mbs-contribution** value less **min-thresh-separation** value

When the **mbs-contribution** command's optional fixed keyword is defined for a priority level within the policy, the system will treat the defined **mbs-contribution** value as an explicit definition of the priority level's MBS. While the system will continue to track child policer associations with the parent policer priority levels, the association counters will have no effect. Instead the following rules will be used to determine a fixed priority level's shared-portion and fair-portion:

- If a fixed priority level's **mbs-contribution** value is set to zero, both the shared-portion and fair-portion will be set to zero
- If the **mbs-contribution** value is not set to zero:
  - The shared-portion will be set to the current **min-thresh-separation** value
  - The fair-portion will be set to the maximum of the following:
    - min-thresh-separation** value
    - mbs-contribution** value less **min-thresh-separation** value

## Multi-Chassis Redundancy Commands

Each time the **min-thresh-separation** value is modified, the thresholds for all instances of the parent policer created through association with this **policer-control-policy** are reevaluated except for parent policer instances that currently have a min-thresh-separation override.

### Determining the Correct Value for the Minimum Threshold Separation Value

The minimum value for **min-thresh-separation** should be set equal to the maximum size packet that will be handled by the parent policer. This ensures that when a lower priority packet is incrementing the bucket, the size of the increment will not cause the bucket's depth to equal or exceed a higher priority threshold. It also ensures that an unfair packet within a priority level cannot cause the PIR bucket to increment to the discard-all threshold within the priority.

When evaluating maximum packet size, each child policer's per-packet-offset setting should be taken into consideration. If the maximum size packet is 1518 bytes and a per-packet-offset parameter is configured to add 20 bytes per packet, min-thresh-separation should be set to 1538 due to the fact that the parent policer will increment its PIR bucket using the extra 20 bytes.

In most circumstances, a value larger than the maximum packet size is not necessary. Management of priority level aggregate burst tolerance is intended to be implemented using the priority level **mbs-contribution** command. Setting a value larger than the maximum packet size will not adversely affect the policer performance, but it may increase the aggregate burst tolerance for each priority level.

One thing to note is that a priority level's shared-portion of the parent policer's PIR bucket depth is only necessary to provide some separation between a lower priority's discard-all threshold and this priority's discard-unfair threshold. It is expected that the burst tolerance for the unfair packets is relatively minimal since the child policers feeding the parent policer priority level all have some amount of fair burst before entering into an FIR exceed or unfair state. The fair burst amount for a priority level is defined using the mbs-contribution command.

The **no** form of this command returns the policy's **min-thresh-separation** value to the default value. This has no effect on instances of the parent policer where **min-thresh-separation** is overridden unless the override is removed.

**Default** **no min-thresh-separation**

**Parameters** *size* [**bytes** | **kilobytes**] — The size parameter is required when executing the **min-thresh-separation** command. It is expressed as an integer and specifies the shared portion in bytes or kilobytes that is selected by the trailing bytes or kilobytes keywords. If both bytes and kilobytes are missing, kilobytes is the assumed value. Setting this value has no effect on parent policer instances where the **min-thresh-separation** value has been overridden. Clearing an override on parent policer instance causes this value to be enforced.

**Values** 0 – 16777216

**Default** none

[**bytes** | **kilobytes**] — The **bytes** keyword is optional and is mutually exclusive with the **kilobytes** keyword. When specified, size is interpreted as specifying the size of **min-thresh-separation** in bytes.

The **kilobytes** keyword is optional and is mutually exclusive with the **bytes** keyword. When specified, size is interpreted as specifying the size of **min-thresh-separation** in kilobytes.

**Values** **bytes** or **kilobytes**

**Default** **kilobytes**

## priority

**Syntax** `priority level`

**Context** `config>card>fp>ingress>access>queue-group>policer-control-override>priority-mbs-thresholds`  
`config>card>fp>ingress>network>queue-group>policer-control-override>priority-mbs-thresholds`

**Description** The **priority** level command contains the **mbs-contribution** configuration command for a given strict priority level. Eight levels are supported numbered 1 through 8 with 8 being the highest strict priority.

Each of the eight priority CLI nodes always exists and do not need to be created. While parameters exist for each priority level, the parameters are only applied when the priority level within a parent policer instance is currently supporting child policers.

**Default** None.

## mbs-contribution

**Syntax** `mbs-contribution size [bytes | kilobytes] [fixed]`  
`no mbs-contribution`

**Context** `config>card>fp>ingress>access>queue-group>policer-control-override>priority-mbs-thresholds`  
`config>card>fp>ingress>network>queue-group>policer-control-override>priority-mbs-thresholds`

**Description** The **mbs-contribution** command is used to configure the policy-based burst tolerance for a parent policer instance created when the policy is applied to a SAP or subscriber context. The system uses the parent policer's **min-thresh-separation** value, the priority level's **mbs-contribution** value and the number of child policers currently attached to the priority level to derive the priority level's shared-portion and fair-portion of burst tolerance within the local priority level. The shared-portion and fair-portions for each priority level are then used by the system to calculate each priority level's discard-unfair threshold and discard-all threshold.

The value for a priority level's **mbs-contribution** within the policer-control-policy may be overridden on the SAP or subscriber sub-profile where the policy is applied in order to allow fine tuning of the discard-unfair and discard-all thresholds relevant to the needs of the local child policers on the object.

#### Accumulative Nature of Burst Tolerance for a Parent Policer Priority Level

When defining **mbs-contribution**, the specified size may only be a portion of the burst tolerance associated with the priority level. The packets associated with the priority level share the burst tolerance of lower within the parent policer. As the parent policer PIR bucket depth increases during congestion, the lower priority packets eventually experience discard based on each priority's discard-unfair and discard-all thresholds. Assuming congestion continues once all the lower priority packets have been prevented from consuming bucket depth, the burst tolerance for the priority level will be consumed by its own packets and any packets associated with higher priorities.

#### The Effect of Fair and Unfair Child Policer Traffic at a Parent Policer Priority Level

The system continually monitors the offered rate of each child policer on each parent policer priority level and detects when the policer is in a congested state (the aggregate offered load is greater than the decrement rate defined on the parent policer). As previously stated, the result of congestion is that the parent policer's bucket depth will increase until it eventually hovers around either a discard-unfair or discard-all threshold

belonging to one of the priority levels. This threshold is the point where enough packets are being discarded that the increment rate and decrement rate begin to even out. If only a single child policer is associated to the priority level, the discard-unfair threshold is not used since fairness is only applicable when multiple child policers are competing at the same priority level.

When multiple child policers are sharing the congested priority level, the system uses the offered rates and the parenting parameters of each child to determine the fair rate per child when the parent policer is unable to meet the bandwidth needs of each child. The fair rate represents the amount of bandwidth that each child at the priority level should receive relative to the other children at the same level according to the policer control policy instance managing the child policers. This fair rate is applied as the decrement rate for each child's FIR bucket. Changing a child's FIR rate does not modify the amount of packets forwarded by the parent policer for the child's priority level. It simply modifies the forwarded ratio between the children on that priority level. Since each child FIR bucket has some level of burst tolerance before marking its packets as unfair, the current parent policer bucket depth may at times rise above the discard-unfair threshold. The mbs-contribution value provides a means to define how much separation is provided between the priority level's discard-unfair and discard-all threshold to allow the parent policer to absorb some amount of FIR burst before reaching the priority's discard-all threshold.

This level of fair aggregate burst tolerance is based on the decrement rate of the parent policer's PIR bucket while the individual fair bursts making up the aggregate are based on each child's FIR decrement rate. The aggregate fair rate of the priority level is managed by the system with consideration of the current rate of traffic in higher priority levels. In essence, the system ensures that for each iteration of the child FIR rate calculation, the sum of the child FIR decrement rates plus the sum of the higher priority traffic increment rates equals the parent policers decrement rate. This means that dynamic amounts of higher priority traffic can be ignored when sizing a lower priority's fair aggregate burst tolerance. Consider the following:

- The parent policer decrement rate is set to 20 Mbps (max-rate 20,000).
- A priority level's fair burst size is set to 30 Kbytes (mbs-contribution 30 kilobytes).
- Higher priority traffic is currently taking 12 Mbps.
- The priority level has three child policers attached.
- Each child's PIR MBS is set to 10 Kbytes, which makes each child's FIR MBS 10 Kbytes.
- The children want 10 Mbps, but only 8 Mbps is available,
- Based on weights, the children's FIR rates are set as follows:

|         | FIR Rate | FIR MBS   |
|---------|----------|-----------|
| Child 1 | 4 Mbps   | 10 Kbytes |
| Child 2 | 3 Mbps   | 10 Kbytes |
| Child 3 | 1 Mbps   | 10 Kbytes |

The 12 Mbps of the higher priority traffic and the 8 Mbps of fair traffic equal the 20 Mbps decrement rate of the parent policer.

It is clear that the higher priority traffic is consuming 12 Mbps of the parent policer's decrement rate, leaving 8 Mbps of decrement rate for the lower priority's fair traffic.

- The burst tolerance of child 1 is based on 10 Kbytes above 4 Mbps,
- The burst tolerance of child 2 is based on 10 Kbytes above 3 Mbps,

- The burst tolerance of child 3 is based on 10 Kbytes above 1 Mbps.

If all three children burst simultaneously (unlikely), they will consume 30 Kbytes above 8 Mbps. This is the same as the remaining decrement rate after the higher priority traffic.

#### Parent Policer Total Burst Tolerance and Downstream Buffering

The highest in-use priority level's discard-all threshold is the total burst tolerance of the parent policer. In some cases the parent policer represents downstream bandwidth capacity and the max-rate of the parent policer is set to prevent overrunning the downstream bandwidth. The burst tolerance of the parent policer defines how much more traffic may be sent beyond the downstream scheduling capacity. In the worst case scenario, when the downstream buffering is insufficient to handle the total possible burst from the parent policer, downstream discards based on lack of buffering may occur. However, in all likelihood, this is not the case.

In most cases, lower priority traffic in the policer will be responsible for the greater part of congestion above the parent policer rate. Since this traffic is discarded with a lower threshold, this lowers the effective burst tolerance even while the highest priority traffic is present.

#### Configuring a Priority Level's MBS Contribution Value

In the most conservative case, a priority level's **mbs-contribution** value may be set to be greater than the sum of child policer's mbs and one max-size-frame per child policer. This ensures that even in the absolute worst case where all the lower priority levels are simultaneously bursting to the maximum capacity of each child, enough burst tolerance for the priority's children will exist if they also burst to their maximum capacity.

Since simply adding up all the child policer's PIR MBS values may result in large overall burst tolerances that are not ever likely to be needed, you should consider some level of burst oversubscription when configuring the **mbs-contribution** value for each priority level. The amount of oversubscription should be determined based on the needs of each priority level.

#### Using the Fixed Keyword to Create Deterministic Parent Policer Discard Thresholds

In the default behavior, the system ignores the **mbs-contribution** values for a priority level on a subscriber or SAP parent policer when a child policer is not currently associated with the level. This prevents additional burst tolerance from being added to higher priority traffic within the parent policer.

This does cause fluctuations in the defined threshold values when child policers are added or removed from a parent policer instance. If this behavior is undesirable, the fixed keyword may be used which causes the **mbs-contribution** value to always be included in the calculation of parent policer's discard thresholds. The defined **mbs-contribution** value may be overridden on a subscriber sla-profile or on a SAP instance, but the fixed nature of the contribution cannot be overridden.

If the defined **mbs-contribution** value for the priority level is zero, the priority level will have no effect on the parent policer's defined discard thresholds. A packet associated with the priority level will use the next lower priority level's discard-unfair and discard-all thresholds.

#### Parameters

*size* [**bytes** | **kilobytes**] — The size parameter is required when executing the **mbs-contribution** command. It is expressed as an integer and specifies the priority's specific portion amount of accumulative MBS for the priority level in bytes or kilobytes which is selected by the trailing **bytes** or **kilobytes** keywords. If both **bytes** and **kilobytes** are missing, **kilobytes** is assumed. Setting this value has no effect on parent policer

## Multi-Chassis Redundancy Commands

instances where the priority level's **mbs-contribution** value has been overridden. Clearing an override on parent policer instance causes this value to be enforced.

**Values** 0 — 16777216

**Default** none

**bytes** | **kilobytes**: — The **bytes** keyword is optional and is mutually exclusive with the **kilobytes** keyword. When specified, size is interpreted as specifying the size of **min-thresh-separation** in bytes.

The **kilobytes** keyword is optional and is mutually exclusive with the **bytes** keyword. When specified, size is interpreted as specifying the size of min-thresh-separation in kilobytes.

**Default** **kilobytes**

**fixed** — The optional fixed keyword is used to force the inclusion of the defined **mbs-contribution** value (or an override value defined on the SAP or sla-profile) in the parent policer's discard threshold calculations. If the **mbs-contribution** command is executed without the **fixed** keyword, the fixed calculation behavior for the priority level is removed.

**Default** **no mbs-contribution**

The **no mbs-contribution** command returns the policy's priority level's MBS contribution to the default value. When changed, the thresholds for the priority level and all higher priority levels for all instances of the parent policer will be recalculated.

## policer-override

**Syntax** [no] **policer-override**

**Context** config>card>fp>ingress>access>queue-group  
config>card>fp>ingress>network>queue-group

**Description** This command, within the SAP ingress or egress contexts, is used to create a CLI node for specific overrides to one or more policers created on the SAP through the sap-ingress or sap-egress QoS policies.  
The **no** form of the command is used to remove any existing policer overrides.

**Default** no policer-overrides

## policer

**Syntax** **policer** *policer-id* [create]  
**no policer** *policer-id*

**Context** config>card>fp>ingress>access>qgrp>policer-over  
config>card>fp>ingress>network>qgrp>policer-over

**Description** This command is used in the sap-ingress and sap-egress QoS policies to create, modify or delete a policer. Policers are created and used in a similar manner to queues. The policer ID space is separate from the queue ID space, allowing both a queue and a policer to share the same ID. The sap-ingress policy may have up to 32 policers (numbered 1 through 32) may be defined while the sap-egress QoS policy supports a maximum

of 8 (numbered 1 through 8). While a policer may be defined within a QoS policy, it is not actually created on SAPs or subscribers associated with the policy until a forwarding class is mapped to the policer's ID.

All policers must be created within the QoS policies. A default policer is not created when a sap-ingress or sap-egress QoS policy is created.

Once a policer is created, the policer's metering rate and profiling rates may be defined as well as the policer's maximum and committed burst sizes (MBS and CBS respectively). Unlike queues which have dedicated counters, policers allow various stat-mode settings that define the counters that will be associated with the policer. Another supported feature—packet-byte-offset—provides a policer with the ability to modify the size of each packet based on a defined number of bytes.

Once a policer is created, it cannot be deleted from the QoS policy unless any forwarding classes that are mapped to the policer are first moved to other policers or queues.

The system will allow a policer to be created on a SAP QoS policy regardless of the ability to support policers on objects where the policy is currently applied. The system only scans the current objects for policer support and sufficient resources to create the policer when a forwarding class is first mapped to the policer ID. If the policer cannot be created due to one or more instances of the policy not supporting policing or having insufficient resources to create the policer, the forwarding class mapping will fail.

The **no** form of this command is used to delete a policer from a sap-ingress or sap-egress QoS policy. The specified policer cannot currently have any forwarding class mappings for the removal of the policer to succeed. It is not necessary to actually delete the policer ID for the policer instances to be removed from SAPs or subscribers associated with the QoS policy once all forwarding classes have been moved away from the policer. It is automatically deleted from each policing instance although it still appears in the QoS policy.

**Parameters** *policer-id* — The *policer-id* must be specified when executing the policer command. If the specified ID already exists, the system enters that policer's context to allow the policer's parameters to be modified. If the ID does not exist and is within the allowed range for the QoS policy type, a context for the policer ID will be created (depending on the system's current create keyword requirements which may require the create keyword to actually add the new policer ID to the QoS policy) and the system will enter that new policer's context for possible parameter modification.

**Values** 1—32

## stat-mode

**Syntax** **stat-mode** {**no-stats** | **minimal** | **offered-profile-no-cir** | **offered-priority-no-cir** | **offered-limited-profile-cir** | **offered-profile-cir** | **offered-priority-cir** | **offered-total-cir**}  
**no stat mode**

**Context** config>card>fp>ingress>access>qgrp>policer-over>plcr  
config>card>fp>ingress>network>qgrp>policer-over>plcr

**Description** This command is used to configure the forwarding plane counters that allow offered, output and discard accounting to occur for the policer. An ingress policer has multiple types of offered packets (explicit in-profile, explicit out-of-profile, high priority or low priority) and each of these offered types is interacting with the policer's metering and profiling functions resulting in colored output packets (green, yellow and red). Due to the large number of policers, it is not economical to allocate counters in the forwarding plane for all possible offered packet types and output conditions. Many policers will not be configured with a CIR profiling rate and not all policers will receive explicitly profiled offered packets. The **stat-mode** command allows

## Multi-Chassis Redundancy Commands

provisioning of the number of counters each policer requires and how the offered packet types and output conditions should be mapped to the counters.

While a **no-stats** mode is supported which prevents any packet accounting, the use of the policer's **parent** command requires at the policer's **stat-mode** to be set at least to the **minimal** setting so that offered stats are available for the policer's Fair Information Rate (FIR) to be calculated. Once a policer has been made a child to a parent policer, the **stat-mode** cannot be changed to **no-stats** unless the policer parenting is first removed.

Each time the policer's **stat-mode** is changed, any previous counter values are lost and any new counters are set to zero.

Each mode uses a certain number of counters per policer instance that are allocated from the forwarding plane's policer counter resources. You can view the total/allocated/free stats by using the **tools dump system-resources** command. If insufficient counters exist to implement a mode on any policer instance, the **stat-mode** change will fail and the previous mode will continue unaffected for all instances of the policer.

The default **stat-mode** when a policer is created within the policy is **minimal**.

The **stat-mode** setting defined for the policer in the QoS policy may be overridden on an **sla-profile** or **SAP** where the policy is applied. If insufficient policer counter resources exist to implement the override, the **stat-mode** override command will fail. The previous **stat-mode** setting active for the policer will continue to be used by the policer.

The **no** form of this command attempts to return the policer's stat-mode setting to minimal. The command will fail if insufficient policer counter resources exist to implement minimal where the QoS policer is currently applied and has a forwarding class mapping.

**Parameters**    **no-stats** — Counter resource allocation:0

The policer does not have any forwarding plane counters allocated and cannot provide offered, discard and forward statistics. A policer using no-stats cannot be a child to a parent policer and the policer's parent command will fail.

When **collect-stats** is enabled, the lack of counters causes the system to generate the following statistics:

- a. offered-in = 0
- b. offered-out = 0
- c. discard-in = 0
- d. discard-out = 0
- e. forward-in = 0
- f. forward-out = 0

Counter 0 indicates that the accounting statistic returns a value of zero.

**minimal** — Counter resource allocation:1

The default **stat-mode** for a policer is **minimal**. The **minimal** mode allocates 1 forwarding plane offered counter and one traffic manager discard counter. The forwarding counter is derived by subtracting the discard counter from the offered counter. The counters do not differentiate possible offered types (profile or priority) and do not count green or yellow output. This does not prevent the policer from supporting different offered packet types and does not prevent the policer from supporting a CIR rate.



This counter mode is useful when only the most basic accounting information is required.

The counters are used in the following manner:

1. 'offered = profile in/out, priority high/low
2. 'discarded = Same as 1
3. 'forwarded= Derived from 1 - 2

When **collect-stats** is enabled, the counters are used by the system to generate the following statistics:

- a. offered-in = 1
- b. offered-out= 0
- c. discard-in = 2
- d. discard-out= 0
- e. forward-in = 3
- f. 'orward-out= 0

Counter 0 indicates that the accounting statistic returns a value of zero.

With **minimal** enabled as the policer **stat-mode**, the SAP offered stats for the policer returned via MIB query and CLI show commands will return the following values:

- i. offered-in = 1
- ii. offered-out= 0
- iii. offered-undefined= 0
- iv. offered-managed= 0(IMPMP managed packets are not redirected from the policer)

Counter 0 indicates that the SAP policer statistic returns a value of zero.

### **offered-profile-no-cir** — Counter resource allocation:2

The **offered-profile-no-cir** mode allocates two forwarding plane offered counters and two traffic manager discard counters.

The **offered-profile-no-cir** mode is most useful when the policer is receiving only in-profile and out-of-profile pre-marked (and trusted) packets. It is expected that in this instance a CIR rate will not be defined since all packet are already pre-marked. This mode does not prevent the policer from receiving un-trusted (color undefined) nor does it prevent the policer from being configured with a CIR rate.

The counters are used in the following manner:

1. offered-in = profile in
2. offered-out= profile out, priority high/low
3. dropped-in= Same as 1
4. dropped-out= Same as 2
5. forwarded-in= Derived from 1 - 3
6. forwarded-out= Derived from 2 - 4

When **collect-stats** is enabled, the counters are used by the system to generate the following statistics:

## Multi-Chassis Redundancy Commands

- a. offered-in = 1
- b. offered-out= 2
- c. discard-in = 3
- d. discard-out= 4
- e. forward-in = 5
- f. forward-out= 6

With **offered-profile-no-cir** enabled as the policer **stat-mode**, the SAP offered stats for the policer returned via MIB query and CLI show commands will return the following values:

- i. offered-in = 1
- ii. offered-out= 2
- iii. offered-undefined= 0
- iv. offered-managed= 0(IMPMM managed packets are not redirected from the policer)

Counter 0 indicates that the SAP policer statistic returns a value of zero.

### **offered-priority-no-cir** — Counter resource allocation:2

The **offered-priority-no-cir** mode allocates two forwarding plane offered counters and two traffic manager discard counters.

The **offered-priority-no-cir** mode is most useful when the policer is receiving only un-trusted packets and the ingress priority high and priority low classification options are being used without a CIR profiling rate defined. This mode does not prevent the policer from receiving trusted packets that are pre-marked in-profile or out-of-profile nor does it prevent the policer from being configured with a CIR rate.

The counters are used in the following manner:

- 1. offered-high = profile in, priority high
- 2. offered-low= profile out, priority low
- 3. dropped-high= Same as 1
- 4. dropped-low= Same as 2
- 5. forwarded-high= Derived from 1 - 3
- 6. forwarded-low= Derived from 2 - 4

When **collect-stats** is enabled, the counters are used by the system to generate the following statistics:

- a. offered-high= 1
- b. offered-low= 2
- c. discard-high= 3
- d. discard-low= 4
- e. forward-high= 5
- f. forward-low= 6

With **offered-priority-no-cir** enabled as the policer **stat-mode**, the SAP offered stats for the policer returned via MIB query and CLI show commands will return the following values:

- i. offered-high= 1
  - ii. offered-low= 2
  - iii. offered-undefined= 0
  - iv. offered-managed= 0 (IMPM managed packets are not redirected from the policer)
- Counter 0 indicates that the SAP policer statistic returns a value of zero.

**offered-limited-profile-cir** — Counter resource allocation:3

The **offered-limited-profile-cir** mode allocates three forwarding plane offered counters and three traffic manager discard counters.

The **offered-limited-profile-cir** mode is most useful when the policer is receiving trusted out-of-profile (profile out but no profile in) traffic and un-trusted packets are being applied to a defined CIR profiling rate. This mode does not prevent the policer from receiving trusted in-profile packets.

The counters are used in the following manner:

- 1. offered-undefined-that-turned-green= profile in, priority high/low
- 2. offered-undefined-that-turned-yellow-or-red= priority high/low
- 3. offered-out-that-stayed-yellow-or-turned-red= profile out
- 4. dropped-undefined-that-turned-green= Same as 1
- 5. dropped-undefined-that-turned-yellow-or-red= Same as 2
- 6. dropped-out-that-turned-yellow-or-red= Same as 3
- 7. forwarded-undefined-that-turned-green= Derived from 1 - 4
- 8. forwarded-undefined-that-turned-yellow= Derived from 2 - 5
- 9. forwarded-out-that-turned-yellow= Derived from 3 - 6

When **collect-stats** is enabled, the counters are used by the system to generate the following statistics:

- a. offered-in = 0
- b. offered-out= 1 + 2 + 3
- c. discard-in = 0
- d. discard-out= 4 + 5 + 6
- e. forward-in = 7
- f. 'orward-out= 8 + 9

With **offered-limited-profile-cir** enabled as the policer **stat-mode**, the SAP offered stats for the policer returned via MIB query and CLI show commands will return the following values:

- i. offered-in = 0
- ii. 'offered-out= 3
- iii. 'offered-undefined= 1 + 2

## Multi-Chassis Redundancy Commands

iv. offered-managed= 0 (IMPM managed packets are not redirected from the policer)

Counter 0 indicates that the SAP policer statistic returns a value of zero.

**offered-profile-cir** — Counter resource allocation:4

The **offered-profile-cir** mode allocates four forwarding plane offered counters and four traffic manager discard counters.

The **offered-profile-cir** mode is most useful when the policer is receiving trusted out-of-profile and in-profile traffic and is also receiving un-trusted packets that are being applied to a defined CIR profiling rate. This mode differs from **offered-limited-profile-cir** mode in that it expects both trusted in-profile and out-of-profile packets while still performing CIR profiling on packets with un-trusted markings. It is expected that in most cases where both trusted and un-trusted packets are received, the predominate case will not include trusted in-profile packets making the offered-limited-profile-cir accounting mode acceptable.

The counters are used in the following manner:

1. offered-in-that-stayed-green-or-turned-red= profile in
2. offered-undefined-that-turned-green= priority high/low
3. offered-undefined-that-turned-yellow-or-red= priority high/low
4. offered-out-that-stayed-yellow-or-turned-red= profile out
5. dropped-in-that-stayed-green-or-turned-red= Same as 1
6. dropped-undefined-that-turned-green= Same as 2
7. dropped-undefined-that-turned-yellow-or-red= Same as 3
8. dropped-out-that-turned-yellow-or-red= Same as 4
9. forwarded-in-that-stayed-green= Derived from 1 - 5
10. forwarded-undefined-that-turned-green= Derived from 2 - 6
11. forwarded-undefined-that-turned-yellow= Derived from 3 - 7
12. forwarded-out-that-turned-yellow= Derived from 4 - 8

When **collect-stats** is enabled, the counters are used by the system to generate the following statistics:

- a. offered-in = 1
- b. offered-out= 2 + 3 + 4
- c. discard-in = 5 + 6
- d. discard-out= 7 + 8
- e. forward-in = 9 + 10
- f. forward-out= 11 + 12

With **offered-profile-cir** enabled as the policer **stat-mode**, the SAP offered stats for the policer returned via MIB query and CLI show commands will return the following values:

- i. offered-high= 1
- ii. offered-low= 4

iii. offered-undefined= 2 + 3

iv. offered-managed= 0 (IMPM managed packets are not redirected from the policer)

Counter 0 indicates that the SAP policer statistic returns a value of zero.

**offered-priority-cir** — Counter resource allocation:4

The **offered-priority-cir** mode allocates four forwarding plane offered counters and four traffic manager discard counters.

The **offered-priority-cir** mode is most useful when the policer is receiving only un-trusted packets that are being classified as high priority or low priority and are being applied to a defined CIR profiling rate. This mode differs from **offered-profile-cir** mode in that it does not expect trusted in-profile and out-of-profile packets but does not exclude the ability of the policer to receive them.

The counters are used in the following manner:

1. offered-high-that-turned-green= profile in, priority high
2. offered-high-that-turned-yellow-or-red= profile in, priority high
3. offered-low-that-turned-green= profile out, priority low
4. offered-low-that-turned-yellow-or-red= profile out, priority low
5. dropped-high-that-turned-green= Same as 1
6. dropped-high-that-turned-yellow-or-red= Same as 2
7. dropped-low-that-turned-green= Same as 3
8. dropped-low-that-turned-yellow-or-red= Same as 4
9. forwarded-high-that-turned-green= Derived from 1 - 5
10. forwarded-high-that-turned-yellow= Derived from 2 - 6
11. forwarded-low-that-turned-green= Derived from 3 - 7
12. forwarded-low-that-turned-yellow= Derived from 4 - 8

When **collect-stats** is enabled, the counters are used by the system to generate the following statistics:

- a. offered-high= 1 + 2
- b. offered-low= 3 + 4
- c. discard-in = 5 + 7
- d. discard-out= 6 + 8
- e. forward-in = 9 + 11
- f. forward-out= 10 + 12

With **offered-priority-cir** enabled as the policer **stat-mode**, the SAP offered stats for the policer returned via MIB query and CLI show commands will return the following values:

- i. offered-high= 1 + 2
- ii. offered-low= 3 + 4
- iii. offered-undefined= 0

## Multi-Chassis Redundancy Commands

iv. offered-managed= 0 (IMPM managed packets are not redirected from the policer)

Counter 0 indicates that the SAP policer statistic returns a value of zero.

**offered-total-cir** — Counter resource allocation:2

The **offered-total-cir** mode allocates two forwarding plane offered counters and two traffic manager discard counters.

The **offered-total-cir** mode is most useful when the policer is not receiving trusted in-profile or out-of-profile traffic and both high and low priority classifications are not being used on the un-trusted packets and the offered packets are being applied to a defined CIR profiling rate. This mode does not prevent the policer from receiving trusted in-profile or out-of-profile packets and does not prevent the use of priority high or low classifications on the un-trusted packets.

The counters are used in the following manner:

1. offered-that-turned-green= profile in/out, priority high/low
2. offered- that-turned-yellow-or-red= profile in/out, priority high/low
3. dropped-offered-that-turned-green= Same as 1
4. dropped-offered-that-turned-yellow-or-red= Same as 2
5. forwarded-offered-that-turned-green= Derived from 1 - 3
6. forwarded-offered-that-turned-yellow= Derived from 2 - 4

When **collect-stats** is enabled, the counters are used by the system to generate the following statistics:

- a. offered-in = 1 + 2
- b. offered-out= 0
- c. discard-in = 3
- d. discard-out= 4
- e. forward-in = 5
- f. forward-out= 6

Counter 0 indicates that the accounting statistic returns a value of zero.

With **offered-total-cir** enabled as the policer **stat-mode**, the SAP offered stats for the policer returned via MIB query and CLI show commands will return the following values:

- i. offered-high= 1 + 2
- ii. offered-low= 0
- iii. offered-undefined= 0
- iv. offered-managed= 0 (IMPM managed packets are not redirected from the policer)

Counter 0 indicates that the SAP policer statistic returns a value of zero.

## rate

**Syntax** `rate {max | kilobits-per-second} [cir {max | kilobits-per-second}]  
no rate`

**Context** `config>card>fp>ingress>access>qgrp>policer-over>plcr  
config>card>fp>ingress>network>qgrp>policer-over>plcr`

**Description** This command is used to configure the policer's metering and optional profiling rates. The metering rate is used by the system to configure the policer's PIR leaky bucket's decrement rate while the profiling rate configures the policer's CIR leaky bucket's decrement rate. The decrement function empties the bucket while packets applied to the bucket attempt to fill it based on the each packets size. If the bucket fills faster than how much is decremented per packet, the bucket's depth eventually reaches it's exceed (CIR) or violate (PIR) threshold. The **cbs**, **mbs**, and **high-prio-only** commands are used to configure the policer's PIR and CIR thresholds.

If a packet arrives at the policer while the bucket's depth is less than the threshold associated with the packet, the packet is considered to be conforming to the bucket's rate. If the bucket depth is equal to or greater than the threshold, the packet is considered to be in the exception state. For the CIR bucket, the exception state is exceeding the CIR rate while the PIR bucket's exception state is violating the PIR bucket rate. If the packet is violating the PIR, the packet is marked red and will be discarded. If the packet is not red, it may be green or yellow based on the conforming or exceeding state from the CIR bucket.

When a packet is red neither the PIR or CIR bucket depths are incremented by the packets size. When the packet is yellow the PIR bucket is incremented by the packet size, but the CIR bucket is not. When the packet is green, both the PIR and CIR buckets are incremented by the packet size. This ensures that conforming packets impact the bucket depth while exceeding or violating packets do not.

The policer's **adaptation-rule** command settings are used by the system to convert the specified rates into hardware timers and decrement values for the policer's buckets.

By default, the policer's metering rate is **max** and the profiling rate is 0 Kbps (all packets out-of-profile).

The **rate** settings defined for the policer in the QoS policy may be overridden on an **sla-profile** or SAP where the policy is applied.

The **no** form of this command is used to restore the default metering and profiling rate to a policer.

**Parameters** {**max** | *kilobits-per-second*} — Specifying the keyword **max** or an explicit *kilobits-per-second* parameter directly following the rate command is required and identifies the policer's metering rate for the PIR leaky bucket. When the policer is first created, the metering rate defaults to max. The *kilobits-per-second* value must be expressed as an integer and defines the rate in kilobits-per-second. The integer value is multiplied by 1,000 to derive the actual rate in bits-per-second. When max is specified, the maximum policer rate used will be equal to the maximum capacity of the card on which the policer is configured. If the policer rate is set to a value larger than the maximum rate possible for the card, then the PIR used is equivalent to max.

**Values** **max** or 1—2000000000

**cir** {**max** | *kilobits-per-second*} — The optional **cir** keyword is used to override the default CIR rate of the policer. Specifying the keyword max or an explicit *kilobits-per-second* parameter directly following the cir keyword is required and identifies the policer's profiling rate for the CIR leaky bucket. When the policer is first created, the profiling rate defaults to 0 Kbps. The *kilobits-per-second* value must be expressed as an integer and defines the rate in kilobits-per-second. The integer value is multiplied by

## Multi-Chassis Redundancy Commands

1,000 to derive the actual rate in bits-per-second. When **max** is specified, the maximum policer rate used will be equal to the maximum capacity of the card on which the policer is configured. If the policer rate is set to a value larger than the maximum rate possible for the card, then the CPIR used is equivalent to **max**.

**Values** **max** or 0—2000000000

### cbs

**Syntax** **cbs** {*size* [**bytes** | **kilobytes**] | **default**}  
**no cbs**

**Context** config>card>fp>ingress>access>qgrp>policer-over>plcr  
config>card>fp>ingress>network>qgrp>policer-over>plcr

**Description** This command is used to configure the policer's CIR leaky bucket's exceed threshold. The CIR bucket's exceed threshold represents the committed burst tolerance allowed by the policer. If the policer's forwarding rate is equal to or less than the policer's defined CIR, the CIR bucket depth hovers around the 0 depth with spikes up to the maximum packet size in the offered load. If the forwarding rate increases beyond the profiling rate, the amount of data allowed to be in-profile above the rate is capped by the threshold.

The policer's **cbs** size defined in the QoS policy may be overridden on an **sla-profile** or SAP where the policy is applied.

The **no** form of this command returns the policer to its default CBS size.

**Default** none

**Parameters** *size* [**bytes** | **kilobytes**] — The *size* parameter is required when specifying **cbs** and is expressed as an integer representing the required size in either bytes or kilobytes. The default is kilobytes. The optional **byte** and **kilobyte** keywords are mutually exclusive and are used to explicitly define whether size represents bytes or kilobytes.

**byte** — When **byte** is defined, the value given for size is interpreted as the queue's MBS value given in bytes.

**kilobyte** — When **kilobytes** is defined, the value is interpreted as the queue's MBS value given in kilobytes.

**Values** 0 — 16777216

**Default** kilobyte



## mbs

**Syntax** **mbs** {*size* [bytes | kilobytes] | default}  
no mbs

**Context** config>card>fp>ingress>access>qgrp>policer-over>plcr  
config>card>fp>ingress>network>qgrp>policer-over>plcr

**Description** This command is used to configure the policer's PIR leaky bucket's high priority violate threshold. The **high-prio-only** command is applied to the MBS value to derive the bucket's low priority violate threshold. For ingress, trusted in-profile packets and un-trusted high priority packets use the policer's high priority violate threshold while trusted out-of-profile and un-trusted low priority packets use the policer's low priority violate threshold. At egress, in-profile packets use the policer's high priority violate threshold and out-of-profile packets use the policer's low priority violate threshold.

The PIR bucket's violate threshold represent the maximum burst tolerance allowed by the policer. If the policer's offered rate is equal to or less than the policer's defined rate, the PIR bucket depth hovers around the 0 depth with spikes up to the maximum packet size in the offered load. If the offered rate increases beyond the metering rate, the amount of data allowed above the rate is capped by the threshold. The low priority violate threshold provides a smaller burst size for the lower priority traffic associated with the policer. Since all lower priority traffic is discarded at the lower burst tolerance size, the remaining burst tolerance defined by **high-prio-only** is available for the higher priority traffic.

The policer's mbs size defined in the QoS policy may be overridden on an sla-profile or SAP where the policy is applied.

The no form of this command returns the policer to its default MBS size.

**Default** None

**Parameters** *size* [bytes | kilobytes] — The *size* parameter is required when specifying **mbs** and is expressed as an integer representing the required size in either bytes or kilobytes. The default is kilobytes. The optional **byte** and **kilobyte** keywords are mutually exclusive and are used to explicitly define whether size represents bytes or kilobytes.

**byte** — When **byte** is defined, the value given for size is interpreted as the queue's MBS value given in bytes.

**kilobyte** — When **kilobytes** is defined, the value is interpreted as the queue's MBS value given in kilobytes.

**Values** 0 — 16777216

**Default** kilobyte

## packet-byte-offset

**Syntax** **packet-byte-offset** {**add** *bytes* | **subtract** *bytes*}  
**no packet-byte-offset**

**Context** config>card>fp>ingress>access>qgrp>policer-over>plcr  
config>card>fp>ingress>network>qgrp>policer-over>plcr

**Description** This command is used to modify the size of each packet handled by the policer by adding or subtracting a number of bytes. The actual packet size is not modified; only the size used to determine the bucket depth impact is changed. The **packet-byte-offset** command is meant to be an arbitrary mechanism that can be used to either add downstream frame encapsulation or remove portions of packet headers. Both the policing metering and profiling throughput is affected by the offset as well as the stats associated with the policer.

When child policers are adding to or subtracting from the size of each packet, the parent policer's **min-thresh-separation** value should also need to be modified by the same amount.

The policer's **packet-byte-offset** defined in the QoS policy may be overridden on an **sla-profile** or SAP where the policy is applied.

The **no** version of this command is used to remove per packet size modifications from the policer.

**Parameters** **add** *bytes* — The **add** keyword is mutually exclusive to the **subtract** keyword. Either **add** or **subtract** must be specified. When **add** is defined the corresponding bytes parameter specifies the number of bytes that is added to the size each packet associated with the policer for rate metering, profiling and accounting purposes. From the policer's perspective, the maximum packet size is increased by the amount being added to the size of each packet.

**Values** 1 — 32

**Default** None

**subtract** *bytes* — The **subtract** keyword is mutually exclusive to the **add** keyword. Either **add** or **subtract** must be specified. When **subtract** is defined the corresponding bytes parameter specifies the number of bytes that is subtracted from the size of each packet associated with the policer for rate metering, profiling and accounting purposes. From the policer's perspective, the maximum packet size is reduced by the amount being subtracted from the size of each packet.

**Values** 0—31

**Default** None

## mcast-path-management

**Syntax** **mcast-path-management**

**Context** config>card>fp>ingress  
config>card>mda>ingress

**Description** This CLI node contains the forwarding plane or MDA settings for ingress multicast path management. Enter the node to configure the bandwidth-policy, the individual path bandwidth overrides and the administrative state of ingress multicast path management.

## bandwidth-policy

**Syntax** **bandwidth-policy** *policy-name*  
**no bandwidth-policy**

**Context** config>card>fp>ingress>mcast-path-management  
config>card>mda>ingress>mcast-path-management

**Description** This command is used to explicitly associate a bandwidth policy to a forwarding plane or MDA. The bandwidth policy defines the dynamic rate table and the multicast paths bandwidth and queuing parameters.

If a bandwidth policy is not explicitly associated with a forwarding plane or MDA, the default bandwidth policy is used when ingress multicast path management is enabled.

The **no** form of the command removes an explicit bandwidth policy from a forwarding plane or MDA and restores the default bandwidth policy.

**Parameters** *policy-name* — The policy-name parameter is required and defines the bandwidth policy that should be associated with the MDA or forwarding plane for ingress multicast path management. If the policy name does not exist, the bandwidth-policy command will fail.

**Values** Any existing bandwidth policy name

**Default** default

## primary-override

**Syntax** **primary-override**

**Context** config>card>mda>ingress>mcast-mgmt

**Description** This command enables the context to configure MDA ingress multicast path-limit overrides. The path override CLI nodes are not supported on IOM-3.

## secondary-override

**Syntax** **secondary-override**

**Context** config>card>mda>ingress>mcast-mgmt

**Description** This command enables the context to configure MDA ingress multicast path-limit overrides. The path override CLI nodes are not supported on IOM-3.

## ancillary-override

**Syntax** **ancillary-override**

**Context** config>card>mda>ingress>mcast-mgmt

**Description** This command enables the context to configure MDA ingress multicast path-limit overrides.

## path-limit

**Syntax** **path-limit** *megabits-per-second*  
**no path-limit**

**Context** config>card>mda>ingress>mcast-mgmt>primary-override  
config>card>mda>ingress>mcast-mgmt>secondary-override  
config>card>mda>ingress>mcast-mgmt>ancillary-override

**Description** The path-limit command is used to override the path limits contained in the bandwidth policy associated with the MDA. The path limits are used to give the upper limit that multicast channels may use on each path. The path-limit commands are not supported on IOM-3.

The no form of the command removes a path limit override from an ingress multicast path and restore the path limit defined in the bandwidth policy associated with the MDA.

**Parameters** *megabits-per-second* — The megabits-per-second parameter is required when executing the path-limit command and is expressed as an integer representing multiples of 1,000,000 bits per second.

|               |                     |           |
|---------------|---------------------|-----------|
| <b>Values</b> | Primary-override:   | 1 to 2000 |
|               | Secondary-override: | 1 to 2000 |
|               | Ancillary-override: | 1 to 5000 |

**Default** None

## cpm

**Syntax** cpm**Context** tools>dump>mcast-path-mgr**Description** This command dumps multicast path manager CPM information.**Sample Output**

```

*A:Dut-C# tools dump mcast-path-mgr cpm
McPathMgr[10][0]: 0x763a52c0 blkHoleEval 0
 pPath swPlaneID pathType availBw pathLimit
inUseBw maxUsedBw numSGs
0x763a54c8 2 secondary 1800000
1800000 0 0 0
0x763a56c0 1 primary 1039959 2000000
960041 960041 6
0x763a58b8 15 primary 879910 2000000
1120090 1120090 7
0x763a5ab0 14 primary 879908 2000000
1120092 1120092 7
0x763a5ca8 13 primary 880007 2000000
1119993 1119993 7
0x763a5ea0 12 primary 880172 2000000
...
0x763a7448 0 none 0
0 0 0 0
0x763a7640 0 blackhole 0
0 0 0 0
McPathMgr[8][0]: 0x7639a9d8 blkHoleEval 0
 pPath swPlaneID pathType availBw pathLimit
inUseBw maxUsedBw numSGs
0x7639abe0 1 secondary 1800000
1800000 0 0 0
0x7639add8 15 primary 2000000
2000000 0 0 0
0x7639afd0 14 primary 2000000
...0x7639cd58 0 blackhole 0
0 0 0 0
McPathMgr[9][0]: 0x76398420 blkHoleEval 0
 pPath swPlaneID pathType availBw pathLimit
inUseBw maxUsedBw numSGs
0x76398628 15 secondary 1800000
1800000 0 0 0
0x76398820 14 primary 2000000
2000000 0 0 0
0x76398a18 13 primary 2000000
2000000 0 0 0
...
0x7639a7a0 0 blackhole 0
0 0 0 0
SwPlane[0]
 pSwPlane totalBw priBw priInUseBw priAvailBw
secBw secInUseBw secAvailBw
0x98ba320 2000000 2000000 0 2000000
1800000 0 1800000

```

## Multi-Chassis Redundancy Commands

```

SwPlane[1]
 pSwPlane totalBw priBw priInUseBw priAvailBw
secBw secInUseBw secAvailBw
0x98ba390 2000000 2000000 960041 1039959
1800000 0 1039959
#####

stype inst src grp currBw pathBw pref repl path exp
 0 1 10.10.6.33 227.0.0.23 159891 159891 0 0 P N
 0 1 10.10.4.10 225.0.0.0 159990 159990 0 0 P N
 0 1 10.10.4.27 225.0.0.17 159990 159990 0 0 P N
 0 1 10.10.4.43 225.0.0.33 159993 159993 0 0 P N
 0 1 10.10.6.47 227.0.0.37 160049 160049 0 0 P N
 0 1 10.10.4.59 225.0.0.49 160128 160128 0 0 P N

SwPlane[2]
 pSwPlane totalBw priBw priInUseBw priAvailBw
secBw secInUseBw secAvailBw
0x98ba400 2000000 2000000 1119789 880211
1800000 0 880211
#####
...
#####

stype inst src grp currBw pathBw pref repl path exp
 0 1 10.10.6.29 227.0.0.19 159891 159891 0 0 P N
 0 1 10.10.4.28 225.0.0.18 159989 159989 0 0 P N
 0 1 10.10.4.11 225.0.0.1 159990 159990 0 0 P N
 0 1 10.10.4.41 225.0.0.31 159992 159992 0 0 P N
 0 1 10.10.6.43 227.0.0.33 160049 160049 0 0 P N
 0 1 10.10.6.58 227.0.0.48 160052 160052 0 0 P N
 0 1 10.10.4.55 225.0.0.45 160127 160127 0 0 P N

SwPlane[16]
 pSwPlane totalBw priBw priInUseBw priAvailBw
secBw secInUseBw secAvailBw
0x98baa20 2000000 2000000 0 2000000
1800000 0 1800000

SwPlane[17]
 pSwPlane totalBw priBw priInUseBw priAvailBw
secBw secInUseBw secAvailBw
0x98baa90 2000000 2000000 0 2000000
1800000 0 1800000

SwPlane[18]
 pSwPlane totalBw priBw priInUseBw priAvailBw
secBw secInUseBw secAvailBw
0x98bab00 2000000 2000000 0 2000000
1800000 0 1800000

SwPlane[19]
 pSwPlane totalBw priBw priInUseBw priAvailBw
secBw secInUseBw secAvailBw
0x98bab70 2000000 2000000 0 2000000
1800000 0 1800000

SwPlane[20]
 pSwPlane totalBw priBw priInUseBw priAvailBw
secBw secInUseBw secAvailBw
0x98babe0 2000000 2000000 0 2000000
1800000 0 1800000

SwPlane[21]
 pSwPlane totalBw priBw priInUseBw priAvailBw
secBw secInUseBw secAvailBw

```

---

## Show Commands

---

### Hardware Commands

#### chassis

**Syntax** `chassis [environment] [power-supply] [ccm]`

**Context** show

**Description** This command displays general chassis status information.

**Parameters** **environment** — Displays chassis environmental status information.

**Default** Displays all chassis information.

**power-supply** — Displays chassis power supply status information.

**Default** Displays all chassis information.

**ccm** — Displays chassis control module information.

**Output** **Chassis Output** — The following table describes chassis output fields.

| Label           | Description                                                                                                                                                                                                                                    |
|-----------------|------------------------------------------------------------------------------------------------------------------------------------------------------------------------------------------------------------------------------------------------|
| Name            | The system name for the router.                                                                                                                                                                                                                |
| Type            | Displays the router model number.                                                                                                                                                                                                              |
| Location        | The system location for the device.                                                                                                                                                                                                            |
| Coordinates     | A user-configurable string that indicates the Global Positioning System (GPS) coordinates for the location of the chassis.<br>For example:<br>N 45 58 23, W 34 56 12<br>N37 37' 00 latitude, W122 22' 00 longitude<br>N36*39.246' W121*40.121' |
| CLLI Code       | The Common Language Location Identifier (CLLI) that uniquely identifies the geographic location of places and certain functional categories of equipment unique to the telecommunications industry.                                            |
| Number of slots | The number of slots in this chassis that are available for plug-in cards. The total number includes the IOM/CCM slot(s) and the CPM/CFM slots.                                                                                                 |
| Number of ports | The total number of ports currently installed in this chassis. This count does not include the Ethernet ports on the CPMs/CFMs that are used for management access.                                                                            |

## Hardware Commands

| Label                         | Description (Continued)                                                                                                                                          |
|-------------------------------|------------------------------------------------------------------------------------------------------------------------------------------------------------------|
| Critical LED state            | The current state of the Critical LED in this chassis.                                                                                                           |
| Major LED state               | The current state of the Major LED in this chassis.                                                                                                              |
| Minor LED state               | The current state of the Minor LED in this chassis.                                                                                                              |
| Base MAC address              | The base chassis Ethernet MAC address.                                                                                                                           |
| Over Temperature state        | Indicates if there is currently an over temperature condition (OK = not currently over temp)                                                                     |
| Admin chassis mode            | The configured chassis mode.                                                                                                                                     |
| Oper chassis mode             | The current chassis mode.                                                                                                                                        |
| Part number                   | The part number of the particular hardware assembly. In the <code>show chassis</code> output, the first set of Hardware Data output is for the chassis midplane. |
| CLEI code                     | The Common Language Equipment Code of the particular hardware assembly.                                                                                          |
| Serial number                 | The serial number of the particular hardware assembly.                                                                                                           |
| Manufacture date              | The manufacture date of the particular hardware assembly.                                                                                                        |
| Manufacturing string          | The factory inputted manufacturing text string for the particular hardware assembly.                                                                             |
| Manufacturing deviations      | Additional manufacturing data.                                                                                                                                   |
| Manufacturing assembly number | Additional manufacturing data.                                                                                                                                   |
| Time of last boot             | The date and time the most recent boot occurred.                                                                                                                 |
| Current alarm state           | Displays the alarm conditions for the specific board.                                                                                                            |
| Number of fan trays           | The total number of fan trays installed in this chassis.                                                                                                         |
| Number of fans                | The total number of fans installed in this chassis.                                                                                                              |
| Fan tray number               | The ID for each fan tray installed in the chassis                                                                                                                |
| Operational status            | Current status of the fan tray.                                                                                                                                  |
| Speed                         | Indicates the speed of the fans.                                                                                                                                 |



| Label                    | Description (Continued)                                                                                     |
|--------------------------|-------------------------------------------------------------------------------------------------------------|
| Status                   | Current status of the particular hardware assembly.                                                         |
| Number of power supplies | The number of power supplies installed in the chassis.                                                      |
| Power supply number      | The ID for each power supply installed in the chassis.                                                      |
| Power supply type        | The basic type of the power supply.                                                                         |
| Power supply model       | The model of the power supply.                                                                              |
| CCM Slot                 | The identifier of the CCM (A or B).                                                                         |
| Equipped                 | Indicates if the CCM is detected as physically present.                                                     |
| Temperature              | The current temperature detected by the particular hardware assembly.                                       |
| Temperature threshold    | The temperature at which the particular hardware assembly considers an over temperature condition to exist. |

### Sample Output

```

ALA-1# show chassis
=====
Chassis Information
=====
Name : Dut-D
Type : 7750 SR-7
Location :
Coordinates :
CLLI code :
Number of slots : 7
Number of ports : 19
Critical LED state : Off
Major LED state : Off
Minor LED state : Off
Base MAC address : 00:03:fa:14:cf:a7
Admin chassis mode : a
Oper chassis mode : a

Hardware Data
Part number : 3HE00186AAA01
CLEI code :
Serial number : NS042450133
Manufacture date : 06172004
Manufacturing string :
Manufacturing deviations :
Time of last boot : 2007/04/11 09:37:51
Current alarm state : alarm cleared

Environment Information
Number of fan trays : 2

```

## Hardware Commands

```
Number of fans : 4

Fan tray number : 1
Status : up
Speed : half speed

Fan tray number : 2
Status : up
Speed : half speed

Power Supply Information
Number of power supplies : 2

Power supply number : 1
Defaulted power supply type : none
Status : not equipped

Power supply number : 2
Defaulted power supply type : dc
Status : up
```

```
=====
ALA-1#
```

```
A:ALA-4# show chassis environment
```

```
=====
Chassis Information
Environment Information
Number of fan trays : 1
Number of fans : 2

Fan tray number : 1
Status : up
Speed : half speed
```

```
=====
A:ALA-4#
```

```
A:ALA-4# show chassis power-supply
```

```
=====
Chassis Information
Power Supply Information
Number of power supplies : 2

Power supply number : 1
Defaulted power supply type : dc
Status : up

Power supply number : 2
Defaulted power supply type : dc
Status : up
```

```
=====
A:ALA-4#
```

```
A:7750-3# show chassis ccm
```

```
=====
Chassis Information
=====
```

```

Chassis Control Module (CCM) Information
 CCM number : 1
 Equipped : yes
 Type : ccm-xp

Hardware Data
 Part number : Sim Part#
 CLEI code : Sim CLEI
 Serial number : ccm-0
 Manufacture date : 01012003
 Manufacturing string : Sim MfgString ccm-0
 Manufacturing deviations : Sim MfgDeviation ccm-0
 Administrative state : up
 Operational state : up
 Temperature : 32C
 Temperature threshold : 75C
 Time of last boot : N/A
 Current alarm state : alarm cleared
=====
A:7750-3>

```

## card

**Syntax** **card** [*slot-number*] [**detail**]  
**card state**  
**card***slot-number* [**card**] **fp** [1..2] **ingress queue-group** *queue-group-name* **instance** [1..65535]  
**mode** {**access|network**} [**statistics**]

**Context** show

**Description** This command displays card information.  
If no command line parameters are specified, a card summary for all cards is displayed.

**Parameters** *slot-number* — Displays information for the specified card slot.

**Default** Displays all cards.

Depending on the chassis model, IOM slots can be numbered from 1 - 10  
SF/CPM slots are A, B (upper or lowercase)

**state** — Displays provisioned and equipped card and MDA information.

**detail** — Displays detailed card information.

**Default** Displays summary information only.

**Output** **Show Card Output** — The following table describes show card output fields.

| Label                    | Description                                    |
|--------------------------|------------------------------------------------|
| Slot                     | The slot number of the card in the chassis.    |
| Provisioned<br>Card-type | The card type that is configured for the slot. |

## Hardware Commands

| Label              | Description (Continued)                                                           |
|--------------------|-----------------------------------------------------------------------------------|
| Equipped Card-type | The card type that is actually populated in the slot.                             |
| Admin State        | Up – The card is administratively up.<br>Down – The card is administratively down |
| Operational State  | Up – The card is operationally up.<br>Down – The card is operationally down.      |

### Sample Output

```
A:ALU-48# show card
=====
Card Summary
=====
Slot Provisioned Equipped Admin Operational
Card-type Card-type Card-type State State

1 iom3-xp iom3-xp up up
2 iom3-xp iom3-xp up up
3 iom3-xp iom3-xp up up
4 iom3-xp iom3-xp up provisioned
5 iom3-xp iom3-xp up provisioned
6 iom3-xp iom3-xp up provisioned
7 iom3-xp iom3-xp up provisioned
8 iom3-xp iom3-xp up provisioned
9 iom3-xp iom3-xp up provisioned
10 iom3-xp iom3-xp up provisioned
A sfm3-12 sfm3-12 up up/standby
B sfm3-12 sfm3-12 up up/active
=====
A:ALU-48#
A:ALA-48# show card 1
=====
Card Summary
=====
Slot Provisioned Equipped Admin Operational
Card-type Card-type Card-type State State

1 iom-xp iom-xp up up
A cfm-xp cfm-xp up up/active
B cfm-xp cfm-xp up down/standby
=====
A:ALA-48#
A:ALA-50# show card 1
=====
Card Summary
=====
Slot Provisioned Equipped Admin Operational
Card-type Card-type State State

```

```

1 iom-c4-xp iom-c4-xp up up
A cfm-c4-xp cfm-c4-xp up up/active
B cfm-c4-xp up down/standby
=====
A:ALA-50#

```

**Show Card State Output** — The following table describes show card state output fields.

| Label             | Description                                                                                                      |
|-------------------|------------------------------------------------------------------------------------------------------------------|
| Slot/MDA          | The slot number of the card in the chassis.                                                                      |
| Provisioned Type  | The card type that is configured for the slot.                                                                   |
| Equipped Type     | The card type that is actually populated in the slot.                                                            |
| Admin State       | Up — The card is administratively up.<br>Down — The card is administratively down.                               |
| Operational State | Up — The card is operationally up.<br>provisioned — There is no card in the slot but it has been pre-configured. |
| Num Ports         | The number of ports available on the MDA.                                                                        |
| Num MDA           | The number of MDAs installed.                                                                                    |
| Comments          | Indicates whether the SF/CPM is the active or standby.                                                           |

### Sample Output

```

A:ALA-48# show card state
=====
Card State
=====
Slot/ Provisioned Equipped Admin Operational Num Num Comments
MDA Type Type State State Ports MDA

1 iom-20g iom-20g up up 2
1/1 m60-10/100eth-tx m60-10/100eth-tx up up 60
1/2 m60-10/100eth-tx m60-10/100eth-tx up up 60
2 iom-20g up provisioned 2
2/1 m10-1gb-sfp up provisioned 10
2/2 m8-oc12/3-sfp up provisioned 8
3 iom-20g up provisioned 2
3/1 m12-chds3 down provisioned 12
3/2 m4-atmoc12/3-sfp up provisioned 4
4 iom-20g up provisioned 2
4/1 m12-chds3 up provisioned 12
4/2 m1-choc12-sfp up provisioned 1
5 iom-20g up provisioned 2
5/1 m1-oc192 down provisioned 1
5/2 m12-chds3 down provisioned 12

```

## Hardware Commands

```

6 iom-20g up provisioned 2
6/1 m12-chds3 up provisioned 12
6/2 m1-choc12-sfp up provisioned 1
7 iom-20g up provisioned 2
7/1 m12-chds3 up provisioned 12
7/2 m1-choc12-sfp up provisioned 1
8 iom-20g up provisioned 2
8/1 m8-oc12/3-sfp up provisioned 8
8/2 m1-choc12-sfp up provisioned 1
9 iom-20g up provisioned 2
9/1 m20-1gb-sfp up provisioned 20
9/2 m4-atmoc12/3-sfp up provisioned 4
10 iom-20g up provisioned 2
10/1 vsm-cca up provisioned 6
10/2 vsm-cca up provisioned 6
1/1 vsm-cca vsm-cca-xp up up 6
A sfm3-12 sfm-400g up up Active
B sfm3-12 sfm-400g up provisioned Standby
=====
A:ALA-48#

```

The following example displays the card state for a 7750 SR-c12.

```

A:7750-3>config>card# show card state
=====
Card State
=====
Slot/ Provisioned Equipped Admin Operational Num Num Comments
Id Type Type State State Ports MDA

1 iom-xp iom-xp up up 12
1/1 mcm-xp mcm-xp up up
1/3 mcm-xp mcm-xp up unprovisioned
1/1 m60-10/100eth-tx m60-10/100eth-tx up up 60
1/5 c8-10/100eth-tx c8-10/100eth-tx up up 8
1/6 c1-1gb-sfp c1-1gb-sfp up unprovisioned
1/7 c8-chds1 c8-chds1 up unprovisioned
1/8 c4-ds3 c4-ds3 up unprovisioned
1/9 c8-10/100eth-tx c8-10/100eth-tx up unprovisioned
1/10 c1-1gb-sfp c1-1gb-sfp up unprovisioned
1/11 c8-chds1 c8-chds1 up unprovisioned
1/12 c4-ds3 c4-ds3 up unprovisioned
A cfm-xp cfm-xp up up Active
B cfm-xp cfm-xp up down Standby
=====
A:7750-3>

```

**Show Card Detail Output** — The following table describes detailed card output fields.

| Label               | Description                                                                        |
|---------------------|------------------------------------------------------------------------------------|
| Clock source        | Source of clock for the IOM. Note: Currently this parameter always displays 'none' |
| Available MDA slots | The number of MDA slots available on the IOM.                                      |
| Installed MDAs      | The number of MDAs installed on the IOM                                            |

| Label                    | Description (Continued)                                                                                                             |
|--------------------------|-------------------------------------------------------------------------------------------------------------------------------------|
| Part number              | The IOM part number.                                                                                                                |
| CLEI code                | The Common Language Location Identifier (CLLI) code string for the router.                                                          |
| Serial number            | The serial number. Not user modifiable.                                                                                             |
| Manufacture date         | The chassis manufacture date. Not user modifiable.                                                                                  |
| Manufacturing string     | Factory-inputted manufacturing text string. Not user modifiable.                                                                    |
| Manufacturing deviations | Displays a record of changes by manufacturing to the hardware or software and which is outside the normal revision control process. |
| Administrative state     | Up – The card is administratively up.<br><br>Down – The card is administratively down.                                              |
| Operational state        | Up – The card is operationally up.<br><br>Down – The card is operationally down.                                                    |
| Temperature              | Internal chassis temperature.                                                                                                       |
| Temperature threshold    | The value above which the internal temperature must rise in order to indicate that the temperature is critical.                     |
| Software boot version    | The version of the boot image.                                                                                                      |
| Software version         | The software version number.                                                                                                        |
| Time of last boot        | The date and time the most recent boot occurred.                                                                                    |
| Current alarm state      | Displays the alarm conditions for the specific board.                                                                               |
| Base MAC address         | Displays the base MAC address of the hardware component.                                                                            |
| Memory Capacity          | Displays the memory capacity of the card.                                                                                           |

### Sample Output

```
A:Dut-A# show card 10 detail
=====
Card 10
=====
Slot Provisioned Equipped Admin Operational Comments
 Card-type Card-type State State

```

## Hardware Commands

```
10 iom3-xp iom3-xp up up
```

### IOM Card Specific Data

```
Clock source : none
Named Pool Mode : Disabled
Fail On Error : Disabled
Available MDA slots : 2
Installed MDAs : 1
```

### FP 1 Specific Data

```
WRED Admin State : Out Of Service
WRED buffer-allocation max : 2500
WRED buffer-allocation min : 2500
WRED reserved-cbs max : 2500
WRED reserved-cbs min : 2500
WRED Slope Policy : default
hi-bw-mc-srcEgress Alarm : 2
hi-bw-mc-srcEgress Group : 0
mc-path-mgmt Admin State : Out Of Service
Ingress Bandwidth Policy : default
```

### Hardware Data

```
Platform type : 7750
Part number : 3HE03619AAAK01
CLEI code : IPU3AC9EAA
Serial number : NS1112F0955
Manufacture date : 03182011
Manufacturing string :
Manufacturing deviations :
Manufacturing assembly number : 82-0107-09
Administrative state : up
Operational state : up
Temperature : 50C
Temperature threshold : 75C
Software boot (rom) version : X-0.0.I3122 on Mon Oct 17 18:16:02 PDT 2011*
Software version : TIMOS-I-8.0.B1-250 iom/hops ALCATEL SR 7750*
Time of last boot : 2011/11/15 08:44:52
Current alarm state : alarm cleared
Base MAC address : 8c:90:d3:a4:fb:33
Last bootup reason : hard boot
Memory capacity : 2,048 MB
```

```
A:ALA-49# show card 3 detail
```

### Card 3

```
=====
Slot Provisioned Equipped Admin Operational
 Card-type Card-type State State

3 iom2-20g up provisioned
```

### IOM Card Specific Data

```
Clock source : none
Available MDA slots : 2
Installed MDAs : 0
```

### Hardware Data

```
Part number :
```



```

CLEI code :
Serial number :
Manufacture date :
Manufacturing string :
Manufacturing deviations :
Administrative state : up
Operational state : provisioned
Software boot version :
Software version :
Time of last boot : N/A
Current alarm state : alarm cleared
Base MAC address : 00:00:00:00:00:00
Memory capacity : 0 MB

```

```

=====
A:ALA-49#

```

**CPM Output** — The following table describes the output fields for a CPM card.

| Label                     | Description                                                                                                                                                          |
|---------------------------|----------------------------------------------------------------------------------------------------------------------------------------------------------------------|
| Slot                      | The slot of the card in the chassis.                                                                                                                                 |
| Card Provisioned          | The SF/CPM type that is configured for the slot.                                                                                                                     |
| Card Equipped             | The SF/CPM type that is actually populated in the slot.                                                                                                              |
| Admin State               | Up — The SF/CPM is administratively up.<br>Down — The SF/CPM is administratively down.                                                                               |
| Operational State         | Up — The SF/CPM is operationally up.<br>Down — The SF/CPM is operationally down.                                                                                     |
| BOF last modified         | The date and time of the most recent BOF modification.                                                                                                               |
| Config file version       | The configuration file version.                                                                                                                                      |
| Config file last modified | The date and time of the most recent config file modification.                                                                                                       |
| Config file last modified | The date and time of the most recent config file modification.                                                                                                       |
| Config file last saved    | The date and time of the most recent config file save.                                                                                                               |
| CPM card status           | active — The card is acting as the primary (active) CPM in a redundant system.<br>standby — The card is acting as the standby (secondary) CPM in a redundant system. |
| Administrative state      | Up — The CPM is administratively up.<br>Down — The CPM is administratively down.                                                                                     |

## Hardware Commands

| <b>Label</b>          | <b>Description (Continued)</b>                                                                                  |
|-----------------------|-----------------------------------------------------------------------------------------------------------------|
| Operational state     | Up – The CPM is operationally up.<br>Down – The CPM is operationally down.                                      |
| Serial number         | The compact flash part number. Not user modifiable.                                                             |
| Firmware revision     | The firmware version. Not user modifiable.                                                                      |
| Model number          | The compact flash model number. Not user modifiable.                                                            |
| Size                  | The amount of space available on the compact flash card.                                                        |
| Free space            | The amount of space remaining on the compact flash card.                                                        |
| Part number           | The SF/CPM part number.                                                                                         |
| CLEI code             | The code used to identify the router.                                                                           |
| Serial number         | The SF/CPM part number. Not user modifiable.                                                                    |
| Manufacture date      | The chassis manufacture date. Not user modifiable.                                                              |
| Manufacturing string  | Factory-inputted manufacturing text string. Not user modifiable.                                                |
| Administrative state  | Up – The card is administratively up.<br>Down – The card is administratively down.                              |
| Operational state     | Up – The card is operationally up.<br>Down – The card is operationally down.                                    |
| Time of last boot     | The date and time the most recent boot occurred.                                                                |
| Current alarm state   | Displays the alarm conditions for the specific board.                                                           |
| Status                | Displays the current status.                                                                                    |
| Temperature           | Internal chassis temperature.                                                                                   |
| Temperature threshold | The value above which the internal temperature must rise in order to indicate that the temperature is critical. |
| Software boot version | The version of the boot image.                                                                                  |
| Memory capacity       | The total amount of memory.                                                                                     |

### Sample Output

```
B:Dut-D# show card
```

```

=====
Card Summary
=====
Slot Provisioned Equipped Admin Operational
 Card-type Card-type State State

1 iom-20g iom-20g up up
2 iom-20g iom-20g up up
A sfm-400g sfm-200g up up/standby
B sfm-400g sfm-200g up up/active
=====
B:Dut-D#

```

```

B:Dut-D# show card A detail
=====
Card A
=====

```

```

Slot Provisioned Equipped Admin Operational
 Card-type Card-type State State

A sfm-400g sfm-200g up up/standby

```

```

BOF last modified : N/A
Config file version :
Config file last modified : N/A
Config file last saved : N/A
CPM redundancy status : standby ready

```

```

Flash - cf1:
 Administrative State : up
 Operational state : not equipped

```

```

Flash - cf2:
 Administrative State : up
 Operational state : not equipped

```

```

Flash - cf3:
 Administrative State : up
 Operational state : up
 Serial number : 109917C1204W513
 Firmware revision : HDX 2.1
 Model number : SanDisk SDCFBI-128
 Size : 125,038 KB
 Free space : 116,238 KB

```

```

Hardware Data
 Part number : 3HE00316AAAA01
 CLEI code : IPUCACMFAA
 Serial number : NS043610538
 Manufacture date : 02252005
 Manufacturing string :
 Manufacturing deviations :
 Administrative state : up
 Operational state : up
 Temperature : 43C
 Temperature threshold : 75C
 Software boot version : X-2.0.R12 on Mon Jan 24 12:03:16 PST 2007 *

```

## Hardware Commands

```

Software version : TiMOS-C-4.0.private cpm/hops ALCATEL SR 77*
Time of last boot : 2007/04/11 09:39:23
Current alarm state : alarm cleared
Base MAC address : 00:03:fa:30:7c:3c
Memory capacity : 2,016 MB
=====
B:Dut-D#
B:NS082761964# show card B detail
=====
Card B
=====
Slot Provisioned Equipped Admin Operational Comments
Card-type Card-type State State

B sfm3-12 sfm3-12 up up/active
BOF last modified : N/A
Config file version : WED AUG 11 19:33:06 2010 UTC
Config file last modified : N/A
Config file last saved : N/A
M/S clocking ref state : primary

Flash - cf1:
 Administrative State : up
 Operational state : not equipped

Flash - cf2:
 Administrative State : up
 Operational state : not equipped

Flash - cf3:
 Administrative State : up
 Operational state : up
 Serial number : 365ST295S3453SC01311
 Firmware revision : V2.23
 Model number : SILICONSYSTEMS INC 256MB
 Size : 253,932 KB
 Free space : 121,368 KB

Hardware Data
Platform type : 7750
Part number : 3HE03617AAAA01
CLEI code : IPUCAN4FAA
Serial number : NS987456321
Manufacture date : 05072010
Manufacturing string :
Manufacturing deviations :
Manufacturing assembly number :
Administrative state : up
Operational state : up
Temperature : 34C
Temperature threshold : 75C
Software boot (rom) version : X-0.0.I2627 on Thu Jun 10 18:03:16 PDT 2010*
Software version : TiMOS-C-0.0.private cpm/hops ALCATEL SR 775*
Time of last boot : 2010/08/24 13:07:56
Current alarm state : alarm cleared
Base MAC address : 00:03:fa:1b:d7:16
Memory capacity : 4,096 MB
System timing oscillator type : OCXO
=====

```

## PW Shaping Feature Output

```
*A:Dut-T# show card 9 fp 1 ingress queue-group "QGIngl" mode network instance 1 statistics
```

```
=====
Card:9 Net.QGrp: QGIngl Instance: 1
=====
```

```
Group Name : QGIngl
Description : (Not Specified)
Pol Ctl Pol : pcp Acct Pol : None
Collect Stats : disabled
```

```

Statistics

```

|                                                   | Packets  | Octets      |
|---------------------------------------------------|----------|-------------|
| Ing. Policer: 1 Grp: QGIngl (Stats mode: minimal) |          |             |
| Off. All :                                        | 91836202 | 91465530792 |
| Dro. All :                                        | 6678807  | 6649127172  |
| For. All :                                        | 85157395 | 84816403620 |
| Ing. Policer: 2 Grp: QGIngl (Stats mode: minimal) |          |             |
| Off. All :                                        | 93584703 | 90933906888 |
| Dro. All :                                        | 8320200  | 6106644900  |
| For. All :                                        | 85264503 | 84827261988 |
| Ing. Policer: 3 Grp: QGIngl (Stats mode: minimal) |          |             |
| Off. All :                                        | 93584703 | 90933906888 |
| Dro. All :                                        | 8320049  | 6106288404  |
| For. All :                                        | 85264654 | 84827618484 |
| Ing. Policer: 4 Grp: QGIngl (Stats mode: minimal) |          |             |
| Off. All :                                        | 93584703 | 90933906888 |
| Dro. All :                                        | 8326509  | 6110568864  |
| For. All :                                        | 85258194 | 84823338024 |
| Ing. Policer: 5 Grp: QGIngl (Stats mode: minimal) |          |             |
| Off. All :                                        | 93584703 | 90933906888 |
| Dro. All :                                        | 24877143 | 22616873028 |
| For. All :                                        | 68707560 | 68317033860 |
| Ing. Policer: 6 Grp: QGIngl (Stats mode: minimal) |          |             |
| Off. All :                                        | 93434643 | 90919501128 |
| Dro. All :                                        | 24727111 | 22602499656 |
| For. All :                                        | 68707532 | 68317001472 |
| Ing. Policer: 7 Grp: QGIngl (Stats mode: minimal) |          |             |
| Off. All :                                        | 93584703 | 90933906888 |
| Dro. All :                                        | 24877214 | 22616941944 |
| For. All :                                        | 68707489 | 68316964944 |
| Ing. Policer: 8 Grp: QGIngl (Stats mode: minimal) |          |             |
| Off. All :                                        | 93430663 | 90919119048 |
| Dro. All :                                        | 24723280 | 22602263280 |
| For. All :                                        | 68707383 | 68316855768 |
| Ing. Policer: 9 Grp: QGIngl (Stats mode: minimal) |          |             |
| Off. All :                                        | 0        | 0           |
| Dro. All :                                        | 0        | 0           |
| For. All :                                        | 0        | 0           |

## Hardware Commands

```
Ing. Policer: 10 Grp: QGIngl (Stats mode: minimal)
Off. All : 0 0
Dro. All : 0 0
For. All : 0 0

Ing. Policer: 11 Grp: QGIngl (Stats mode: minimal)
Off. All : 0 0
Dro. All : 0 0
For. All : 0 0

Ing. Policer: 12 Grp: QGIngl (Stats mode: minimal)
Off. All : 0 0
Dro. All : 0 0
For. All : 0 0

Ing. Policer: 13 Grp: QGIngl (Stats mode: minimal)
Off. All : 0 0
Dro. All : 0 0
For. All : 0 0

Ing. Policer: 14 Grp: QGIngl (Stats mode: minimal)
Off. All : 0 0
Dro. All : 0 0
For. All : 0 0

Ing. Policer: 15 Grp: QGIngl (Stats mode: minimal)
Off. All : 0 0
Dro. All : 0 0
For. All : 0 0

Ing. Policer: 16 Grp: QGIngl (Stats mode: minimal)
Off. All : 0 0
Dro. All : 0 0
For. All : 0 0
=====
*A:Dut-T#
```

cflowd

### Syntax

elmi

**Syntax** elmi

**Context** show

**Description** This command displays Ethernet Link Management Interface (eLMI) information.

**eLMI Output** — The following table describes eLMI output fields.

| Field               | Description                                                                                                                                          |
|---------------------|------------------------------------------------------------------------------------------------------------------------------------------------------|
| Link Status         | Status of the E-LMI protocol when the elmi mode is set to uni-n. Link Status will indicate up if eLMI mode is set to "none".                         |
| T391                | pooling timer used by UNI-C. UNI-N will send the consecutive single EVC asynchronous status messages every (T391/10) rounded to the second interval. |
| T392                | Pooling verification timer for UNI-N                                                                                                                 |
| N393                | Status counter for UNI-N                                                                                                                             |
| Rx Enq. Time        | Last time when a status enquiry message was received from UNI-C.                                                                                     |
| Rx Enq Msg          | Number of status enquiry messages received.                                                                                                          |
| Rx Check Time       | Last time when a status enquiry E-LMI check message was received.                                                                                    |
| Rx Inv. SeqNum      | Counts the number of E-LMI messages received with invalid sequence number.                                                                           |
| Enq Timeouts        | Counts the number of T392 timer expired.                                                                                                             |
| Tx Status Time      | Last time when a status message was sent by UNI-N.                                                                                                   |
| Tx Status Msg       | Number of status messages sent by UNI-N.                                                                                                             |
| Tx Check Time       | Last time when a status eLMI check message was sent by UNI-N.                                                                                        |
| Tx Async Status Msg | Counter for single EVC asynchronous status messages sent by UNI-N.                                                                                   |
| Discard Msg         | Counter for the status enquiry messages discarded due to errors.                                                                                     |

## EVC

**Syntax** `evc [port-id [vlan vlan-id]]`

**Context** show>elmi

**Description** This command displays Ethernet Virtual Connections (EVC). No argument displays all the EVC on the service router. The port and VLAN arguments display information related to EVC associated with the port and VLAN.

**Parameters** *port-id* — Displays information related to the EVCs configured on the port

**Values** slot/mda/port

*vlan vlan-id* — Specifies the VLAN Identifier of the EVC.

**Values** 0 — 4094, \*

## Hardware Commands

### Sample Output

```
*A:Dut-C# show elmi evc
=====
ELMI EVC Table
=====
Port Vlan Status Type Evc Id

1/1/1 10 New-Act P2p EVC11110
1/1/3 30 New-Act P2p EVC11220
1/1/5 100 Act P2p EVC115100
1/1/5 200 Act P2p EVC115200

Number of Evcs : 4
=====
*A:Dut-C#

A:Dut-C# show elmi evc 1/1/5
=====
ELMI EVC Table
=====
Port Vlan Status Type Evc Id

1/1/5 100 Act P2p EVC115100
1/1/5 200 Act P2p EVC115200

Number of Evcs : 2
=====
A:Dut-C#

*A:Dut-C# show elmi evc 1/1/5 vlan 100
=====
Evc Detailed Information
=====
Port : 1/1/5 vlanId : 100
Evc Status : Act Evc Type : P2p
Evc Identifier: EVC115100
=====
*A:Dut-C#
```

## uni

**Syntax** `uni [port-id]`

**Context** `show>elmi`

**Description** This command displays information about ELMI (mode, status, number of EVCs (SAPs) configure on the port for all the ports on the service router.

**Parameters** *port-id* — Displays UNI information for the specified port.

### Sample Output



```

*A:Dut-C# show elmi uni
=====
ELMI UNI-N Table
=====
Port Mode Status #Evcs Uni Identifier

1/1/1 None Up 0 10/100 Ethernet TX
1/1/2 None Up 0 port-21
1/1/3 None Up 0 10/100 Ethernet TX
1/1/4 None Up 0 10/100 Ethernet TX
1/1/5 Uni-N Up 2 UNI115
1/1/6 None Up 0 10/100 Ethernet TX
1/1/7 None Up 0 10/100 Ethernet TX
1/1/8 None Up 0 10/100 Ethernet TX
1/1/9 None Up 0 10/100 Ethernet TX
1/1/10 None Up 0 10/100 Ethernet TX
1/1/11 None Up 0 10/100 Ethernet TX
1/1/12 None Up 0 10/100 Ethernet TX
1/1/13 None Up 0 10/100 Ethernet TX
1/1/14 None Up 0 10/100 Ethernet TX
1/1/15 None Up 0 10/100 Ethernet TX
1/1/16 None Up 0 10/100 Ethernet TX
1/1/17 None Up 0 10/100 Ethernet TX
...
=====
*A:Dut-C#

*A:Dut-C# show elmi uni 1/1/5
=====
Uni-N Detailed Information
=====
Uni Mode : Uni-N Link Status : Up
Uni Identifier: UNI115
T391 : 10 seconds T392 : 15 seconds
N393 : 4 UniType : Bundling
Rx Enq. Time : 02/18/2010 17:11:44 Tx Status Time : 02/18/2010 17:11:44
Rx Enq Msg : 24 Tx Status Msg : 24
Rx Check Time: 02/18/2010 17:12:34 Tx Check Time : 02/18/2010 17:12:34
Rx Inv. SeqNum: 0 Tx Async Status Msg : 0
Enq Timeouts : 0 Discard Msg : 0
=====
*A:Dut-C#

```

## eth-tunnel

**Syntax** eth-tunnel

**Context** show

**Description** This command displays Ethernet tunnel information.

### Sample

## Hardware Commands

```

*A:PE-E# show eth-tunnel
=====
Ethernet Tunnel Groups
=====
Tunnel Admin Oper Protection Active Paths
ID State State Type 1 2 3 4 5 6 7 8

1 Up Up g.8031-ltol x 2
2 Up Up g.8031-ltol 1 x
=====
*A:PE-E#
*A:PE-E# show eth-tunnel aps
=====
Ethernet Tunnel APS Groups
=====
Tunnel Admin Oper Working Path Path Active Rx PDU
ID State State Protecting Path State Path Tx PDU

1 Up Up 1 - 1/1/2 1 Down No BF010100 (SF)
2 - 2/1/2 1 Up Yes BF010100 (SF)
2 Up Up 1 - 2/1/2 2 Up Yes 0F000000 (NR)
2 - 1/1/2 2 Down No EF000000 (SF-P)
=====
*A:PE-E#
*A:PE-E# show eth-tunnel 1
=====
Ethernet Tunnel Group 1 Information
=====
Description : Eth Tunnel
IfIndex : 1476395009
Admin State : Up Oper State : Up
Protection Type : G.8031-ltol Max Revert Time : 1 seconds
MAC Address : 00:1a:f0:44:d2:03 Time to Revert : N/A
Hold Down Time : 0 centiseconds

Ethernet Tunnel Group APS Information

APS PDU Rx : BF010100 (SF) Switchover Time : 05/28/2009 10:10:17
APS PDU Tx : BF010100 (SF)
Defect Status :

Ethernet Tunnel Group Path Summary

Path ID Member Control-Tag Precedence Admin/Oper Active Mgmt

1 1/1/2 1 primary Up/Down No Yes
2 2/1/2 1 secondary Up/Up Yes No
=====
*A:PE-E#
*A:PE-E# show eth-tunnel 1 path 1
=====
Ethernet Tunnel Group 1 Path Information
=====
Description : (Not Specified)
Member : 1/1/2 Control-Tag : 1
Admin State : Up Oper State : Down

```

```

Ethernet Tunnel Group Path APS Information

Active Count : 2 Active Time : 0d 00:12:09

Eth-Cfm Configuration Information

Md-index : 1 Direction : Down
Ma-index : 1 Admin : Enabled
MepId : 1 CCM-Enable : Enabled
LowestDefectPri : macRemErrXcon HighestDefect : defRemoteCCM
Defect Flags : bDefRemoteCCM
Mac Address : 00:16:4d:c0:c1:ca ControlMep : True
=====
*A:PE-E#

*A:PE-E# show eth-tunnel 1 path 1 detail

Ethernet Tunnel Group 1 Detailed Path Information
=====
Description : (Not Specified)
Member : 1/1/2 Control-Tag : 1
Admin State : Up Oper State : Down

Ethernet Tunnel Group Path APS Information

Active Count : 2 Active Time : 0d 00:12:09

Eth-Cfm Configuration Information

Md-index : 1 Direction : Down
Ma-index : 1 Admin : Enabled
MepId : 1 CCM-Enable : Enabled
LowestDefectPri : macRemErrXcon HighestDefect : defRemoteCCM
Defect Flags : bDefRemoteCCM
Mac Address : 00:16:4d:c0:c1:ca ControlMep : True
CcmLtmPriority : 7
CcmTx : 0 CcmSequenceErr : 0
Eth-Ais: : Disabled
Eth-Tst: : Disabled
LbRxReply : 0 LbRxBadOrder : 0
LbRxBadMsdu : 0 LbTxReply : 0
LbNextSequence : 1 LtNextSequence : 1
LtRxUnexplained : 0
=====
*A:PE-E#

```

## interface-group-handler

**Syntax** `interface-group-handler [igh-id]`

**Context** `show`

**Description** This command displays Interface Group Handler (IGH) information.  
If no command line options are specified, a summary listing of all IGHs is displayed.

## Hardware Commands

**Parameters** *igh-id* — Displays information only on the specified IGH ID.

### Sample

```
A:ALU-27# show interface-group-handler
=====
Interface Group Handler Summary Information
=====
IGH Index Admin Number of Threshold
 State Members

1 Up 4 4
2 Up 2 2
=====
A:ALU-27#

A:ALU-27#show interface-group-handler 2
=====
Interface Group Handler 2 Information
=====
Admin Status : Up
Threshold : 2 Last Change : 02/02/2010 18:10:04

Interface Group Handler Protocol Information

Protocol Oper Status Active Links Up Time

ipcp up 2 0d 00:15:04
ipv6cp none 0 N/A
mplscp waiting 0 N/A
osicp none 0 N/A

Port 1/5/2.2 Information

Protocol Oper Status Up Time

ipcp up 2 0d 00:15:05
ipv6cp none 0 N/A
mplscp running 0 N/A
osicp none 0 N/A

Port 1/5/2.3 Information

Protocol Oper Status Up Time

ipcp up 2 0d 00:15:05
ipv6cp none 0 N/A
mplscp running 0 N/A
osicp none 0 N/A
=====
A:ALU-27#
```

## mcm

**Syntax** `mcm [slot [/mcm]] [detail]`

**Context** show

**Description** This command displays MCM information.  
If no command line options are specified, a summary output of all MCMs is displayed in table format.

**Parameters** *slot* — The slot number for which to display MCM information.

**Values** 1

*mcm* — The MCM number in the slot for which to display MCM information.

**Values** 7750 SR-c4 — 1, 3 7750 SR-c12 — 1, 3, 5, 7, 9, 11

**detail** — Displays detailed MDA information.

**Output** **MDA Output** — The following table describes MDA output fields.

| Label                | Description                                                |
|----------------------|------------------------------------------------------------|
| Slot                 | The chassis slot number.                                   |
| MCM                  | The MCM slot number.                                       |
| Provisioned MCM-type | The MCM type provisioned.                                  |
| Equipped MCM-type    | The MCM type actually installed.                           |
| Admin State          | Up — Administratively up.<br>Down — Administratively down. |
| Ops State            | Up — Operationally up.<br>Down — Operationally down.       |

**Sample Output**

```
A:7750-3# show mcm
=====
MCM Summary
=====
Slot Mcm Provisioned Equipped Admin Operational
 Mcm-type Mcm-type State State

1 1 mcm-xp mcm-xp up up
 3 mcm-xp up unprovisioned
=====
```

## Hardware Commands

```
A:7750-3#

A:7750-3# show mcm 1
=====
MCM 1/1
=====
Slot Mcm Provisioned Equipped Admin Operational
 Mcm-type Mcm-type State State

1 1 mcm-xp mcm-xp up up
=====
MCM 1/3
=====
Slot Mcm Provisioned Equipped Admin Operational
 Mcm-type Mcm-type State State

 3 mcm-xp up unprovisioned
=====
A:7750-3#
```

## mda

**Syntax** `mda [slot [/mda]] [detail]`

**Context** show

**Description** This command displays MDA information.

If no command line options are specified, a summary output of all MDAs is displayed in table format.

**Parameters** *slot* — The slot number for which to display MDA information.

**Values** 1 — 10

*mda* — The MDA number in the slot for which to display MDA information.

**Values** 1, 2  
7750 SR-c12 - 1, 3, 5, 7, 9, 11  
7710 SR-c4 — 1, 3

**detail** — Displays detailed MDA information.

**Output** **MDA Output** — The following table describes MDA output fields.

| Label | Description              |
|-------|--------------------------|
| Slot  | The chassis slot number. |
| MDA   | The MDA slot number.     |

| Label                | Description (Continued)                                    |
|----------------------|------------------------------------------------------------|
| Provisioned MDA-type | The MDA type provisioned.                                  |
| Equipped MDA-type    | The MDA type actually installed.                           |
| Admin State          | Up – Administratively up.<br>Down – Administratively down. |
| Operational State    | Up – Operationally up.<br>Down – Operationally down.       |

### Sample Output

```
A:ALA-1# show mda
=====
MDA Summary
=====
Slot Mda Provisioned Equipped Admin Operational
 Mda-type Mda-type State State

1 1 m1-oc192 m1-oc192 up up
 2 m1-10gb m1-10gb up up
=====
A:ALA-1#
```

**MDA Detailed Output** — The following table describes detailed MDA output fields.

| Label                        | Description                                                                      |
|------------------------------|----------------------------------------------------------------------------------|
| Slot                         | The chassis slot number.                                                         |
| Slot                         | The MDA slot number.                                                             |
| Provisioned Provisioned-type | The provisioned MDA type.                                                        |
| Equipped Mda-type            | The MDA type that is physically inserted into this slot in this chassis.         |
| Admin State                  | Up – The MDA is administratively up.<br>Down – The MDA is administratively down. |
| Operational State            | Up – The MDA is operationally up.<br>Down – The MDA is operationally down.       |
| Failure Reason               | This hardware component has failed.                                              |

## Hardware Commands

| Label                        | Description (Continued)                                                                                                                                                          |
|------------------------------|----------------------------------------------------------------------------------------------------------------------------------------------------------------------------------|
| Maximum port count           | The maximum number of ports that can be equipped on the MDA card.                                                                                                                |
| Number of ports equipped     | The number of ports that are actually equipped on the MDA.                                                                                                                       |
| Transmit timing selected     | Indicates the source for the timing used by the MDA.                                                                                                                             |
| Sync interface timing status | Indicates whether the MDA has qualified one of the timing signals from the CPMs.                                                                                                 |
| Network Ingress Queue Policy | Specifies the network queue policy applied to the MDA to define the queueing structure for this object.                                                                          |
| Capabilities                 | Specifies the minimum size of the port that can exist on the MDA.                                                                                                                |
| Egress XPL error threshold   | The Egress XPL Error Threshold value used by the <b>fail-on-error</b> feature.                                                                                                   |
| Egress XPL error window      | The Egress XPL Error Window value used by the <b>fail-on-error</b> feature.                                                                                                      |
| Max channel size             | Specifies the maximum size of the channel that can exist on the channelized MDA.                                                                                                 |
| Channels in use              | Applicable for SONET and TDM MDAs only. Indicates the total number of leaf SONET paths, TDM channels and bundles on the MDA which are presently provisioned for passing traffic. |
| Part number                  | The hardware part number.                                                                                                                                                        |
| CLEI code                    | The code used to identify the MDA.                                                                                                                                               |
| Serial number                | The MDA part number. Not user modifiable.                                                                                                                                        |
| Manufacture date             | The MDA manufacture date. Not user modifiable.                                                                                                                                   |
| Manufacturing string         | Factory-inputted manufacturing text string. Not user modifiable.                                                                                                                 |
| Administrative state         | Up – The MDA is administratively up.<br><br>Down – The MDA is administratively down.                                                                                             |
| Operational state            | Up – The MDA is operationally up.<br><br>Down – The MDA is operationally down.                                                                                                   |
| Time of last boot            | The date and time the most recent boot occurred.                                                                                                                                 |



| Label               | Description (Continued)                                                                                                                             |
|---------------------|-----------------------------------------------------------------------------------------------------------------------------------------------------|
| Current alarm state | Displays the alarm conditions for the specific MDA.                                                                                                 |
| Base MAC address    | The base chassis Ethernet MAC address. Special purpose MAC addresses used by the system software are constructed as offsets from this base address. |

### Sample Output

```
*A:Dut-A# show mda 5/1 detail
=====
MDA 5/1 detail
=====
Slot Mda Provisioned Equipped Admin Operational
 Mda-type Mda-type State State

5 1 m20-lgb-xp-sfp m20-lgb-xp-sfp up up

MDA Specific Data
 Maximum port count : 20
 Number of ports equipped : 20
 Network ingress queue policy : default
 Capabilities : Ethernet
 Fail On Error : disabled
 Egress XPL error threshold : 1000
 Egress XPL error window : 60

Hardware Data
 Platform type : 7750
 Part number : 3HE03612AAAB01
 CLEI code : IPPAABFBAA
 Serial number : NS093464752
 Manufacture date : 08232009
 Manufacturing string :
 Manufacturing deviations :
 Manufacturing assembly number :
 Administrative state : up
 Operational state : up
 Temperature : 37C
 Temperature threshold : 75C
 Software version : N/A
 Time of last boot : 2011/11/15 11:32:49
 Current alarm state : alarm cleared
 Base MAC address : 00:23:3e:ea:38:4b

QOS Settings

Ing. Named Pool Policy : None
Egr. Named Pool Policy : None
=====
```

The following example shows the detail of a CMA in slot 1 (on a 7750 SR-c12/c4 system).

## Hardware Commands

```
A:7750-3# show mda 1/5 detail
=====
MDA 1/5 detail
=====
Slot Mda Provisioned Equipped Admin Operational
 Mda-type Mda-type State State

1 5 c8-10/100eth-tx c8-10/100eth-tx up up

MDA Specific Data
Maximum port count : 8
Number of ports equipped : 8
Network ingress queue policy : default
Capabilities : Ethernet
Fail On Error : disabled
Egress XPL error threshold : 1000
Egress XPL error window : 60

Hardware Data
Part number : Sim Part#
CLEI code : Sim CLEI
Serial number : mda-5
Manufacture date : 01012003
Manufacturing string : Sim MfgString mda-5
Manufacturing deviations : Sim MfgDeviation mda-5
Administrative state : up
Operational state : up
Temperature : 33C
Temperature threshold : 75C
Time of last boot : 2007/04/11 15:13:48
Current alarm state : alarm cleared
Base MAC address : 04:7b:01:05:00:01
=====
7750A:SR-7/Dut-C# show mda 5/1 detail (channelized)
=====
MDA 5/1 detail
=====
Slot Mda Provisioned Equipped Admin Operational
 Mda-type Mda-type State State

5 1 m1-choc12-sfp m1-choc12-sfp up up

MDA Specific Data
Maximum port count : 1
Number of ports equipped : 1
Transmit timing selected : CPM Card A
Sync interface timing status : Qualified
Network ingress queue policy : default
Capabilities : Sonet, TDM, PPP, FR
Fail On Error : disabled
Egress XPL error threshold : 1000
Egress XPL error window : 60

Min channel size : PDH DS0 Group
Max channel size : PDH DS3
Max number of channels : 512
Channels in use : 0
```

```
Hardware Data
 Part number : 3HE00193AAAA01
 CLEI code :
 Serial number : NS042510655
 Manufacture date : 07072004
 Manufacturing string :
 Manufacturing deviations :
 Administrative state : up
 Operational state : up
 Time of last boot : 2007/04/11 12:51:48
 Current alarm state : alarm cleared
 Base MAC address : 00:03:fa:1a:7c:6f
=====
A:SR-7/Dut-C#
```

pools

**Syntax** **pools** *mda-id* [/port] [**access-app** [*pool-name* | **service** *service-id*]] | **queue-group** *queue-group-name*]]  
**pools** *mda-id* [/port] [*network-app* [*pool-name* | **queue-group** *queue-group-name*]]  
**pools** *mda-id* [/port] [*direction* [*pool-name* | **service** *service-id*] **queue-group** *queue-group-name*]]

**Context** show

**Description** This command displays pool information.

**Parameters** *mda-id*[/port] — Displays the pool information of the specified MDA and port.  
**access-app** *pool-name* — Displays the pool information of the specified QoS policy.  
**Values** access-ingress, access-egress  
**service** *service-id* — Displays pool information for the specified service.  
**Values** 1 — 2147483647  
**queue-group** *queue-group-name* — Display information for the specified queue group.  
**direction** — Specifies to display information for the ingress or egress direction.  
**Values** ingress, egress

**Output** **Show Pool Output** — The following table describes show pool output fields.

| Label            | Description                                                                                                                                                                                                   |
|------------------|---------------------------------------------------------------------------------------------------------------------------------------------------------------------------------------------------------------|
| Type             | Specifies the pool type.                                                                                                                                                                                      |
| ID               | Specifies the card/mda or card/MDA/port designation.                                                                                                                                                          |
| Application/Type | Specifies the nature of usage the pool would be used for. The pools could be used for access or network traffic at either ingress or egress.                                                                  |
| Pool Name        | Specifies the name of the pool being used.                                                                                                                                                                    |
| Resv CBS         | Specifies the percentage of pool size reserved for CBS.                                                                                                                                                       |
| Utilization      | Specifies the type of the slope policy.                                                                                                                                                                       |
| State            | The administrative status of the port.                                                                                                                                                                        |
| Start-Avg        | Specifies the percentage of the buffer utilized after which the drop probability starts to rise above 0.                                                                                                      |
| Max-Avg          | Specifies the percentage of the buffer utilized after which the drop probability is 100 percent. This implies that all packets beyond this point will be dropped.                                             |
| Time Avg Factor  | Specifies the time average factor the weighting between the previous shared buffer average utilization result and the new shared buffer utilization in determining the new shared buffer average utilization. |

| Label              | Description (Continued)                                                                                                                                       |
|--------------------|---------------------------------------------------------------------------------------------------------------------------------------------------------------|
| Actual ResvCBS     | Specifies the actual percentage of pool size reserved for CBS.                                                                                                |
| Admin ResvCBS      | Specifies the percentage of pool size reserved for CBS.                                                                                                       |
| PoolSize           | Specifies the size in percentage of buffer space. The value '-1' implies that the pool size should be computed as per fair weighting between all other pools. |
| Pool Total         | Displays the total pool size.                                                                                                                                 |
| Pool Shared        | Displays the amount of the pool which is shared.                                                                                                              |
| Pool Resv          | Specifies the percentage of reserved pool size.                                                                                                               |
| Pool Total In Use  | Displays the total amount of the pool which is in use.                                                                                                        |
| Pool Shared In Use | Displays the amount of the pool which is shared that is in use.                                                                                               |

```
*A:ALA-48# show pools 1/1
```

```
=====
```

| Type | Id    | App.    | Pool Name    | Actual ResvCBS<br>Admin ResvCBS | PoolSize |
|------|-------|---------|--------------|---------------------------------|----------|
| MDA  | 1/1   | Acc-Ing | default      | Sum                             |          |
| MDA  | 1/1   | Acc-Ing | MC Path Mgmt | 50                              |          |
| MDA  | 1/1   | Acc-Egr | default      | Sum                             |          |
| MDA  | 1/1   | Net-Ing | default      | Sum                             |          |
| MDA  | 1/1   | Net-Egr | default      | 50                              |          |
| Port | 1/1/1 | Acc-Ing | default      | Sum                             |          |
| Port | 1/1/1 | Acc-Egr | default      | Sum                             |          |
| Port | 1/1/1 | Net-Egr | default      | Sum                             |          |
| Port | 1/1/2 | Acc-Ing | default      | Sum                             |          |
| Port | 1/1/2 | Acc-Egr | default      | Sum                             |          |
| Port | 1/1/2 | Net-Egr | default      | Sum                             |          |
| Port | 1/1/3 | Acc-Ing | default      | Sum                             |          |
| Port | 1/1/3 | Acc-Egr | default      | Sum                             |          |
| Port | 1/1/3 | Net-Egr | default      | Sum                             |          |

# Hardware Commands

```

Port 1/1/4 Acc-Ing default
 Sum
Port 1/1/4 Acc-Egr default
 Sum
...
Port 1/1/12 Acc-Egr default
 Sum
Port 1/1/12 Net-Egr default
 Sum
=====
*A:ALA-48#

*A:ALA-48# show pools 1/1/1 network-egress
=====
Pool Information
=====
Port : 1/1/1
Application : Net-Egr Pool Name : default
Resv CBS : Sum

Utilization State Start-Avg Max-Avg Max-Prob

High-Slope Down 70% 90% 80%
Low-Slope Down 50% 75% 80%

Time Avg Factor : 7
Pool Total : 3072 KB
Pool Shared : 1536 KB Pool Resv : 1536 KB

Pool Total In Use : 0 KB
Pool Shared In Use : 0 KB Pool Resv In Use : 0 KB
WA Shared In Use : 0 KB

Hi-Slope Drop Prob : 0 Lo-Slope Drop Prob : 0

FC-Maps ID MBS Depth A.CIR A.PIR
 CBS O.CIR O.PIR

be 1/1/1 1536 0 0 100000
 28 0 Max
l2 1/1/1 1536 0 25000 100000
 96 25000 Max
af 1/1/1 1536 0 25000 100000
 320 25000 Max
l1 1/1/1 768 0 25000 100000
 96 25000 Max
h2 1/1/1 1536 0 100000 100000
 320 Max Max
ef 1/1/1 1536 0 100000 100000
 320 Max Max
h1 1/1/1 768 0 10000 100000
 96 10000 Max
nc 1/1/1 768 0 10000 100000
 96 10000 Max
=====
*A:ALA-48#

```

## Interface Configuration

```

*A:Dut-T# show pools 4/1/1 access-ingress
=====
Pool Information
=====
Port : 4/1/1
Application : Acc-Ing Pool Name : default
CLI Config. Resv CBS : 10%
Resv CBS Step : 1% Resv CBS Max : 30%
Amber Alarm Threshold: 10% Red Alarm Threshold: 0%

Queue-Groups

Utilization State Start-Avg Max-Avg Max-Prob

High-Slope Down 70% 90% 80%
Low-Slope Down 50% 75% 80%

Time Avg Factor : 7
Pool Total : 66048 KB
Pool Shared : 46080 KB Pool Resv : 19968 KB

Current Resv CBS Provisioned Rising Falling Alarm
%age all Queues Alarm Thd Alarm Thd Color

30% 40320 KB NA 1797 KB Amber
Pool Total In Use : 0 KB
Pool Shared In Use : 0 KB Pool Resv In Use : 0 KB
WA Shared In Use : 0 KB

Hi-Slope Drop Prob : 0 Lo-Slope Drop Prob : 0

Name Tap FC-Maps MBS HP-Only A.PIR A.CIR
 Tap FC-Maps CBS Depth O.PIR O.CIR

2->4/1/1:1->11
 MCast be 12 af 11 30720 KB 3072 KB 25000000 0
 h2 ef h1 nc 0 KB 0 Max 0
2->4/1/1:1->4
 3/1 af 81408 KB 9216 KB 25000000 0
 3360 KB 0 Max 0
2->4/1/1:1->4
 3/1 af 81408 KB 9216 KB 25000000 0
 3360 KB 0 Max 0
2->4/1/1:1->4
 4/* af 81408 KB 9216 KB 25000000 0
 3360 KB 0 Max 0
2->4/1/1:1->3
 3/1 12 81408 KB 9216 KB 25000000 0
 3360 KB 0 Max 0
2->4/1/1:1->3
 3/1 12 81408 KB 9216 KB 25000000 0
 3360 KB 0 Max 0
2->4/1/1:1->3
 4/* 12 81408 KB 9216 KB 25000000 0

```

# Hardware Commands

```

3360 KB 0 Max 0
2->4/1/1:1->2
 3/1 11 81408 KB 9216 KB 25000000 0
 3360 KB 0 Max 0
2->4/1/1:1->2
 3/1 11 81408 KB 9216 KB 25000000 0
 3360 KB 0 Max 0
2->4/1/1:1->2
 4/* 11 81408 KB 9216 KB 25000000 0
...
=====
*A:Dut-T#

```

```
*A:ALU-2011# show pools 2/1/1 access-egress
```

```
=====
Pool Information
=====
```

```

Port : 2/1/1
Application : Acc-Egr Pool Name : default
Resv CBS : Sum

```

```

Queue-Groups

```

```

policer-output-queues

```

| Utilization | State | Start-Avg | Max-Avg | Max-Prob |
|-------------|-------|-----------|---------|----------|
| High-Slope  | Down  | 70%       | 90%     | 80%      |
| Low-Slope   | Down  | 50%       | 75%     | 80%      |

```

Time Avg Factor : 7
Pool Total : 6336 KB
Pool Shared : 4416 KB Pool Resv : 1920 KB

```

| Pool Resv CBS %age | Provisioned All Queues | Rising Alarm Thd | Falling Alarm Thd | Alarm Color |
|--------------------|------------------------|------------------|-------------------|-------------|
| 40%                | 300KB                  | 350KB            | 250KB             | Amber       |

```

Pool Total In Use : 0 KB
Pool Shared In Use : 0 KB Pool Resv In Use : 0 KB
WA Shared In Use : 0 KB

```

```

Hi-Slope Drop Prob : 0 Lo-Slope Drop Prob : 0

```

| Name | Tap | FC-Maps | MBS CBS | HP-Only Depth | A.PIR O.PIR | A.CIR O.CIR |
|------|-----|---------|---------|---------------|-------------|-------------|
|------|-----|---------|---------|---------------|-------------|-------------|

```

2->2/1/1:100->1
 be 12 af 11 123 KB 15 KB 100000 0
 h2 ef h1 nc 0 KB 0 Max 0
accQGrp->policer-output-queues(2/1/1)->1
 n/a 123 KB 15 KB 100000 0
 0 KB 0 Max 0
accQGrp->policer-output-queues(2/1/1)->2
 n/a 123 KB 15 KB 100000 0

```



0 KB 0 Max 0

\*A:ALU-2011# show pools 2/1/1 access-egress

=====  
Pool Information  
=====

Port : 2/1/1  
Application : Acc-Egr Pool Name : default  
Resv CBS : Sum

-----  
Queue-Groups  
-----

-----  
policer-output-queues  
-----

| Utilization | State | Start-Avg | Max-Avg | Max-Prob |
|-------------|-------|-----------|---------|----------|
| High-Slope  | Down  | 70%       | 90%     | 80%      |
| Low-Slope   | Down  | 50%       | 75%     | 80%      |

Time Avg Factor : 7  
Pool Total : 6336 KB  
Pool Shared : 4416 KB Pool Resv : 1920 KB

| Pool Resv CBS %age | Provisioned All Queues | Rising Alarm Thd | Falling Alarm Thd | Alarm Color |
|--------------------|------------------------|------------------|-------------------|-------------|
|--------------------|------------------------|------------------|-------------------|-------------|

-----  
**CBS Oversubscription Alarm Info Pending**  
-----

Pool Total In Use : 0 KB  
Pool Shared In Use : 0 KB Pool Resv In Use : 0 KB  
WA Shared In Use : 0 KB

Hi-Slope Drop Prob : 0 Lo-Slope Drop Prob : 0

| Name | Tap | FC-Maps | MBS CBS | HP-Only Depth | A.PIR O.PIR | A.CIR O.CIR |
|------|-----|---------|---------|---------------|-------------|-------------|
|------|-----|---------|---------|---------------|-------------|-------------|

-----  
2->2/1/1:100->1  
be 12 af 11 123 KB 15 KB 100000 0  
h2 ef h1 nc 0 KB 0 Max 0  
accQGrp->policer-output-queues(2/1/1)->1  
n/a 123 KB 15 KB 100000 0  
0 KB 0 Max 0  
accQGrp->policer-output-queues(2/1/1)->2

\*A:ALU-2011#show pools 1/1/1 egress

=====  
Pool Information  
=====

Port : 1/1/1  
Application : Egress Pool Name : PoolData  
Resv CBS : 25% Policy Name : Port1-1-1

-----  
Queue-Groups  
-----

# Hardware Commands

```

Utilization State Start-Avg Max-Avg Max-Prob

High-Slope Down 70% 90% 80%
Low-Slope Down 50% 75% 80%
Time Avg Factor : 7
Pool Total : 64 KB
Pool Shared : 48 KB Pool Resv : 16 KB

Pool Resv CBS Provisioned Rising Falling Alarm
 %age All Queues Alarm Thd Alarm Thd Color

 40% 300KB 350KB 250KB Amber
Pool Total In Use : 0 KB
Pool Shared In Use : 0 KB Pool Resv In Use : 0 KB
WA Shared In Use : 0 KB
Hi-Slope Drop Prob : 0 Lo-Slope Drop Prob : 0

Name Tap FC-Maps MBS HP-Only A.PIR A.CIR
 CBS Depth O.PIR O.CIR

1->1/1/1:10->2
 af 128 KB 16 KB 100000 0
 0 KB 0 Max 0
1->1/1/1:10->4
 ll 128 KB 16 KB 100000 0
 0 KB 0 Max 0

Port : 1/1/1
Application : Egress Pool Name : PoolVideo
Resv CBS : 25% Policy Name : Port1-1-1

Queue-Groups

Utilization State Start-Avg Max-Avg Max-Prob

High-Slope Down 70% 90% 80%
Low-Slope Down 50% 75% 80%
Time Avg Factor : 7
Pool Total : 64 KB
Pool Shared : 48 KB Pool Resv : 16 KB

Pool Resv CBS Provisioned Rising Falling Alarm
 %age All Queues Alarm Thd Alarm Thd Color

 40% 300KB 350KB 250KB Amber
Pool Total In Use : 0 KB
Pool Shared In Use : 0 KB Pool Resv In Use : 0 KB
WA Shared In Use : 0 KB
Hi-Slope Drop Prob : 0 Lo-Slope Drop Prob : 0

Name Tap FC-Maps MBS HP-Only A.PIR A.CIR
 CBS Depth O.PIR O.CIR

1->1/1/1:10->5
 ef 128 KB 16 KB 100000 0
 0 KB 0 Max 0

```

## Interface Configuration

```

Port : 1/1/1
Application : Egress Pool Name : PoolVoice
Resv CBS : 50% Policy Name : Port1-1-1

Queue-Groups

Utilization State Start-Avg Max-Avg Max-Prob

High-Slope Down 70% 90% 80%
Low-Slope Down 50% 75% 80%
Time Avg Factor : 7
Pool Total : 64 KB
Pool Shared : 32 KB Pool Resv : 32 KB

Pool Resv CBS Provisioned Rising Falling Alarm
 %age All Queues Alarm Thd Alarm Thd Color

40% 300KB 350KB 250KB Amber
Pool Total In Use : 0 KB
Pool Shared In Use : 0 KB Pool Resv In Use : 0 KB
WA Shared In Use : 0 KB
Hi-Slope Drop Prob : 0 Lo-Slope Drop Prob : 0

Name Tap FC-Maps MBS HP-Only A.PIR A.CIR
 CBS Depth O.PIR O.CIR

1->1/1/1:10->3
 nc 128 KB 16 KB 100000 0
 0 KB 0 Max 0
=====
*A:ALU-2011#

```

### When alarm information is pending:

```

*A:Dut-T# show pools 4/1/1 access-ingress
=====
Pool Information
=====
Port : 4/1/1
Application : Acc-Ing Pool Name : default
CLI Config. Resv CBS : 10%
Resv CBS Step : 1% Resv CBS Max : 35%
Amber Alarm Threshold: 10% Red Alarm Threshold: 0%

Queue-Groups

Utilization State Start-Avg Max-Avg Max-Prob

High-Slope Down 70% 90% 80%
Low-Slope Down 50% 75% 80%

Time Avg Factor : 7
Pool Total : 66048 KB
Pool Shared : 46080 KB Pool Resv : 19968 KB

Current Resv CBS Provisioned Rising Falling Alarm

```

# Hardware Commands

```

%age all Queues Alarm Thd Alarm Thd Color

CBS Oversubscription Alarm Info Pending
Pool Total In Use : 0 KB
Pool Shared In Use : 0 KB Pool Resv In Use : 0 KB
WA Shared In Use : 0 KB

Hi-Slope Drop Prob : 0 Lo-Slope Drop Prob : 0

Name Tap FC-Maps MBS HP-Only A.PIR A.CIR
 Tap FC-Maps CBS Depth O.PIR O.CIR

2->4/1/1:1->11
 MCast be l2 af l1 30720 KB 3072 KB 25000000 0
 h2 ef h1 nc 0 KB 0 Max 0
2->4/1/1:1->4
 3/1 af 81408 KB 9216 KB 25000000 0
 3360 KB 0 Max 0
2->4/1/1:1->4
 3/1 af 81408 KB 9216 KB 25000000 0
 3360 KB 0 Max 0
2->4/1/1:1->4
 4/* af 81408 KB 9216 KB 25000000 0
 3360 KB 0 Max 0
2->4/1/1:1->3
 3/1 l2 81408 KB 9216 KB 25000000 0
 3360 KB 0 Max 0
2->4/1/1:1->3
 3/1 l2 81408 KB 9216 KB 25000000 0
 3360 KB 0 Max 0
2->4/1/1:1->3
 4/* l2 81408 KB 9216 KB 25000000 0
 3360 KB 0 Max 0
2->4/1/1:1->2
 3/1 l1 81408 KB 9216 KB 25000000 0
 3360 KB 0 Max 0
2->4/1/1:1->2
 3/1 l1 81408 KB 9216 KB 25000000 0
 3360 KB 0 Max 0
2->4/1/1:1->2
 4/* l1 81408 KB 9216 KB 25000000 0
 3360 KB 0 Max 0
2->4/1/1:1->1
 3/1 be h2 ef h1 81408 KB 9216 KB 25000000 0
 nc 3360 KB 0 Max 0
2->4/1/1:1->1
 3/1 be h2 ef h1 81408 KB 9216 KB 25000000 0
 nc 3360 KB 0 Max 0
2->4/1/1:1->1
 4/* be h2 ef h1 81408 KB 9216 KB 25000000 0
 nc 3360 KB 0 Max 0
=====
*A:Dut-T#

```

show pools command with named pools.

```
*A:Dut-T# show pools 9/2/1 egress
=====
Pool Information
=====
Port : 9/2/1
Application : Egress Pool Name : pool1
CLI Config. Resv CBS : 10% Policy Name : namedEgr
Resv CBS Step : 1% Resv CBS Max : 25%
Amber Alarm Threshold: 30% Red Alarm Threshold: 45%

Queue-Groups

Utilization State Start-Avg Max-Avg Max-Prob

High-Slope Down 70% 90% 80%
Low-Slope Down 50% 75% 80%

Time Avg Factor : 7
Pool Total : 258 KB
Pool Shared : 192 KB Pool Resv : 66 KB

Current Resv CBS Provisioned Rising Falling Alarm
%age all Queues Alarm Thd Alarm Thd Color

25% 39 KB NA 24 KB Red
Pool Total In Use : 0 KB
Pool Shared In Use : 0 KB Pool Resv In Use : 0 KB
WA Shared In Use : 0 KB

Hi-Slope Drop Prob : 0 Lo-Slope Drop Prob : 0

Name Tap FC-Maps MBS HP-Only A.PIR A.CIR
 CBS Depth O.PIR O.CIR

1 Net=be Port=9/2/1
 be 66048 B 7680 B 1000000 0
 39 KB 0 Max 0

-*A:Dut-T#-----
```

When alarm information is pending:

```
*A:Dut-T# show pools 9/2/1 egress
=====
Pool Information
=====
Port : 9/2/1
Application : Egress Pool Name : pool1
CLI Config. Resv CBS : 10% Policy Name : namedEgr
Resv CBS Step : 1% Resv CBS Max : 35%
Amber Alarm Threshold: 30% Red Alarm Threshold: 45%

```

## Hardware Commands

```

Queue-Groups

Utilization State Start-Avg Max-Avg Max-Prob

High-Slope Down 70% 90% 80%
Low-Slope Down 50% 75% 80%

Time Avg Factor : 7
Pool Total : 258 KB
Pool Shared : 192 KB Pool Resv : 66 KB

Current Resv CBS Provisioned Rising Falling Alarm
%age all Queues Alarm Thd Alarm Thd Color

CBS Oversubscription Alarm Info Pending
Pool Total In Use : 0 KB
Pool Shared In Use : 0 KB Pool Resv In Use : 0 KB
WA Shared In Use : 0 KB

Hi-Slope Drop Prob : 0 Lo-Slope Drop Prob : 0

Name Tap FC-Maps MBS HP-Only A.PIR A.CIR
 Tap FC-Maps CBS Depth O.PIR O.CIR

1 Net=be Port=9/2/1
 be 66048 B 7680 B 1000000 0
 39 KB 0 Max 0

*A:Dut-T#

```

### In Use Stat Note:

The pool shared in use stat only increases when a queue is asking for a buffer outside it's reserved size. If all the buffers in a pool are assigned to queues within their reserved size, then only the reserved in use size will increase. In case of resv CBS oversubscription (CBS sum for all queues is bigger then pool resvCbs), it is possible that pool resv in use stat can increase above the actual pool reserved size. For example:

```

Pool Total : 57344 KB
Pool Shared : 32768 KB Pool Resv : 24576 KB

Pool Total In Use : 57344 KB
Pool Shared In Use : 0 KB Pool Resv In Use: 57344 KB

```

### Syntax

## megapools

**Syntax** `megapools slot-number`

**megapools** *slot-number* **fp** *forwarding-plane* [**service-id** *service-id*] [**queue-group** *queue-group-name*] [**ingress** | **egress**]

**Context** show

**Description** This command displays megapool information. A megapool is a mechanism the IOM-3 flexpath traffic manager uses to allow oversubscription of buffer pools. Every buffer pool is created in the context of a megapool.

By default, all buffer pools are associated with a single megapool and the pools are not oversubscribed. When WRED queue support is enabled on the IOM, three megapools are used.

- The original megapool services the default and named pools.
- The second megapool services the system internal use pools.
- The third megapool is used by the buffer pools used by the WRED queues.

The traffic manager buffers are allocated to the three megapools without oversubscription. The WRED queue pools are allowed to oversubscribe their megapool, but the megapool protects the pools associated with the other megapools from buffer starvation that could be caused by that oversubscription.

**Parameters** *slot-number* — Displays information for the specified card slot.

*fp-number* — The fp-number parameter is optional following the **fp** command. If omitted, the system assumes forwarding plane number 1.

**queue-group** *queue-group-name* — Displays information for the specified port queue group name.

**ingress** — Displays ingress queue group information.

**egress** — Displays egress queue group information.

## APS Show Commands

### aps

**Syntax**    **aps** [*aps-id*] [**detail**]

**Context**    show

**Description**    This command displays Automated Protection Switching (APS) information.

**Parameters**    *aps-id* — Displays information for the specified APS group ID.

**Values**        *aps-group-id*  
                   aps:        keyword  
                   *group-id*: 1 — 128

**detail** — Displays detailed APS information.

**Output**        **APS Output** — The following table describes APS output fields.

| Label              | Description                                                                                    |
|--------------------|------------------------------------------------------------------------------------------------|
| Interface          | Specifies the APS interface name (the APS group port).                                         |
| Admin State        | Up — APS is administratively up.<br>Down — APS port is administratively down.                  |
| Oper State         | Up — APS port is operationally up.<br>Down — APS is operationally down.                        |
| MC-CTL State       | Specifies the multi-chassis state.                                                             |
| Work Circuit       | Specifies the working circuit ID.                                                              |
| Prot Circuit       | Specifies the physical port that acts as the protection circuit for this APS group.            |
| Active Circuit     | Specifies the active circuit.                                                                  |
| Tx/Rx K1 Byte      | Displays the value of the SONET/SDH K1 byte received or transmitted on the protection circuit. |
| Group Id           | Displays the APS group name.                                                                   |
| Protection Circuit | Displays the physical port that will act as the protection circuit for this APS group.         |
| Switching-mode     | Displays the switching mode of the APS group.                                                  |



| Label                | Description (Continued)                                                                                                                                                                                                                                                                                                                                                                                              |
|----------------------|----------------------------------------------------------------------------------------------------------------------------------------------------------------------------------------------------------------------------------------------------------------------------------------------------------------------------------------------------------------------------------------------------------------------|
| Switching-arch       | The architecture of the APS group.                                                                                                                                                                                                                                                                                                                                                                                   |
| Revertive-mode       | Displays the revertive mode of the APS group.<br><br>nonrevertive – Traffic remains on the protection line until another switch request is received.<br>revertive – When the condition that caused a switch to the protection line has been cleared the signal is switched back to the working line.                                                                                                                 |
| Revert-time          | Displays the configured time, in minutes, to wait after the working circuit has become functional again, before making the working circuit active again. If the revertive mode is non-revertive, then this field will be empty.                                                                                                                                                                                      |
| Rx K1/K2 byte        | Displays the value of the SONET/SDH K1/K2 byte received on the interface.                                                                                                                                                                                                                                                                                                                                            |
| Tx K1/K2 byte        | Displays the value of the SONET/SDH K1/K2 byte transmitted on the interface.                                                                                                                                                                                                                                                                                                                                         |
| Current APS Status   | Displays the current APS status.                                                                                                                                                                                                                                                                                                                                                                                     |
| Mode Mismatch Cnt    | Indicates the number of times a conflict occurs between the current local mode and the received K2 mode information.                                                                                                                                                                                                                                                                                                 |
| Channel mismatch Cnt | Indicates the number of mismatches between the transmitted K1 channel and the received K2 channel has been detected.                                                                                                                                                                                                                                                                                                 |
| PSB failure Cnt      | Displays a count of Protection Switch Byte (PSB) failure conditions. This condition occurs when either an inconsistent APS byte or an invalid code is detected.                                                                                                                                                                                                                                                      |
| FEPL failure Cnt     | Displays a count of far-end protection-line (FEPL) failure conditions. This condition is declared based on receiving SF on the protection line in the K1 byte.                                                                                                                                                                                                                                                       |
| No. of Switchovers   | Displays the number of times a switchover has occurred.                                                                                                                                                                                                                                                                                                                                                              |
| Last Switchover      | Displays the time stamp of the last switchover.                                                                                                                                                                                                                                                                                                                                                                      |
| Switchover seconds   | Displays the cumulative Protection Switching Duration (PSD) time in seconds.<br>For a working channel, this is the cumulative number of seconds that service was carried on the protection line.<br>For the protection line, this is the cumulative number of seconds that the protection line has been used to carry any working channel traffic. This information is only valid if revertive switching is enabled. |
| Signal Degrade Cnt   | Displays the number of times the signal was degraded.                                                                                                                                                                                                                                                                                                                                                                |

| Label                | Description (Continued)                                          |
|----------------------|------------------------------------------------------------------|
| Signal Failure Cnt   | Displays the number of times the signal failed.                  |
| Last Switch Cmd      | Reports the last switch command that was performed on a circuit. |
| Last Exercise Result | The result of the last exercise request on a circuit.            |
| Neighbor address     | Displays the neighbor IP address.                                |
| Advertise Interval   | Displays the advertise interval.                                 |
| Hold time            | Displays the hold time.                                          |

**Sample Output**

**show aps** on a working multi-chassis APS node:

```

*A:Dut-A# show aps aps-1
=====
APS Group Info
=====
Interface Admin Oper MC-Ctl Work Prot Active Tx/Rx
 State State State Circuit Circuit Circuit K1 Byte

aps-1 Up Up N/A 1/5/1 1/9/5 1/5/1 PC-Tx: No-Req
=====
*A:Dut-A#

*A:Dut-A# show aps aps-1 detail
=====
APS Group: aps-1
=====
Description : APS Group
Group Id : 1
Admin Status : Up
Working Circuit : 1/5/1
Switching-mode : Uni-1plus1
Revertive-mode : Non-revertive
Rx K1/K2 byte : 0x00/0x00 (No-Req on Protect)
Tx K1/K2 byte : 0x00/0x00 (No-Req on Protect)
Current APS Status : OK
Multi-Chassis APS : No
Neighbor : 0.0.0.0
Control link state : N/A
Advertise Interval : 1000 msec
APS SF Hold Time : 6000 msec
Mode mismatch Cnt : 0
PSB failure Cnt : 0
Active Circuit : 1/5/1
Oper Status : Up
Protection Circuit : 1/9/5
Switching-arch : 1+1(sig,data)
Revert-time (min) :
Hold Time : 3000 msec
APS SD Hold Time : 9000 msec
Channel mismatch Cnt : 0
FEPL failure Cnt : 0

APS Working Circuit - 1/5/1

Admin Status : Up
Oper Status : Up

```

## Interface Configuration

```

Current APS Status : OK No. of Switchovers : 0
Last Switchover : None Switchover seconds : 0
Signal Degrade Cnt : 1 Signal Failure Cnt : 1
Last Switch Cmd : No Cmd Last Exercise Result : Unknown
Tx L-AIS : None

```

---

APS Protection Circuit - 1/9/5

---

```

Admin Status : Up Oper Status : Up
Current APS Status : OK No. of Switchovers : 0
Last Switchover : None Switchover seconds : 0
Signal Degrade Cnt : 1 Signal Failure Cnt : 1
Last Switch Cmd : No Cmd Last Exercise Result : Unknown
Tx L-AIS : None

```

\*\*\*\*\*  
\*A:Dut-A#

### show aps on protect MC-APS node:

B:Dut-E# show aps

\*\*\*\*\*  
APS Group Info

| Interface | Admin | Oper  | MC-Ctl | Work  | Prot    | Active  | Tx/Rx           |
|-----------|-------|-------|--------|-------|---------|---------|-----------------|
|           |       | State | State  | State | Circuit | Circuit | Circuit K1 Byte |
| aps-20    | Up    | Up    | N/A    | 3/1/1 | 3/1/2   | 3/1/1   | PC-Tx: No-Req   |

\*\*\*\*\*  
B:Dut-E#

B:Dut-E# show aps aps-30 detail

\*\*\*\*\*  
APS Group: aps-30

```

Description : APS Group
Group Id : 30 Active Circuit : N/A
Admin Status : Up Oper Status : Up
Working Circuit : N/A Protection Circuit : 2/2/2
Switching-mode : Bi-directional Switching-arch : 1+1
Revertive-mode : Non-revertive Revert-time (min) :
Rx K1/K2 byte : 0x00/0x05 (No-Req on Protect)
Tx K1/K2 byte : 0x00/0x05 (No-Req on Protect)
Current APS Status : OK
Multi-Chassis APS : Yes
Neighbor : 13.1.1.1
Control link state : Up
Advertise Interval : 1000 msec Hold time : 3000 msec
Mode mismatch Cnt : 0 Channel mismatch Cnt : 0
PSB failure Cnt : 0 FEPL failure Cnt : 1

```

---

APS Working Circuit - Neighbor

---

```

Admin Status : N/A Oper Status : N/A
Current APS Status : OK No. of Switchovers : 0
Last Switchover : None Switchover seconds : 0
Signal Degrade Cnt : 0 Signal Failure Cnt : 0

```

## APS Show Commands

```
Last Switch Cmd : No Cmd Last Exercise Result : Unknown
Tx L-AIS : None
```

```

APS Protection Circuit - 2/2/2

```

```
Admin Status : Up Oper Status : Up
Current APS Status : OK No. of Switchovers : 0
Last Switchover : None Switchover seconds : 0
Signal Degrade Cnt : 0 Signal Failure Cnt : 0
Last Switch Cmd : No Cmd Last Exercise Result : Unknown
Tx L-AIS : None
```

```

B:Dut-E#
```

---

## Port Show Commands

### port

**Syntax**    **port** *port-id* [count] [detail]  
**port** *port-id* description  
**port** *port-id* associations  
**port** *port-id* atm connections  
**port** *port-id* atm cp  
**port** *port-id* atm ilmi  
**port** *port-id* atm port-connection [detail]  
**port** *port-id* atm pvc [*vp*[/*vc*]] [detail]  
**port** *port-id* atm pvp [*vp*] [detail]  
**port** *port-id* atm pvt [*vpi-range*] [detail]  
**port** *port-id* cisco-hdlc  
**port** *port-id* ppp [detail]  
**port** *port-id* queue-group [ingress|egress] [queue-group-name] [access|network]  
 [{statistics|associations}]  
**port** *port-id* mlfr-link [detail] **port** *port-id* otu [detail]  
**port** *port-id* frame-relay [detail]  
**port** aps [detail]  
**port** cem  
**port** *port-id* ethernet [efm-oam | detail]  
**port** *port-id* dot1x [detail]  
**port** *port-id* vport [*vport-name*] associations

**Context**    show

**Description**    This command displays port or channel information.

If no command line options are specified, the command port displays summary information for all ports on provisioned MDAs.

**Parameters**    *port-id* — Specifies the physical port ID in the form *slot/mda/port*.

|               |         |                                                                                                |
|---------------|---------|------------------------------------------------------------------------------------------------|
| <b>Syntax</b> | port-id | <i>slot</i> [/ <i>mda</i> [/ <i>port</i> ]] or<br><i>slot/mda/port</i> [. <i>channel</i> ]     |
|               | aps-id  | <i>aps-group-id</i> [. <i>channel</i> ]<br>aps    keyword<br>group-id 1 — 64                   |
|               | ccag-id | <i>slot/mda/path-id</i> [ <i>cc-type</i> ]<br>path-id    a, b<br>cc-type    .sap-net, .net-sap |

**MDA Values**    7750 SR-12, 7750 SR-7, 7750 SR-1: 1, 2  
 7750 SR-c12: 1, 3, 5, 7, 9, 11

## Port Show Commands

7750 SR-c4: 1, 3

**CMA Values** 7750 SR-c12: 1 — 12, 7750 SR-c4: 1 — 4

**Slot Values** 7750 SR-12: 1 — 10  
7750 SR-7: 1 — 5  
7750 SR-1: 1  
7750 SR-c12/4: 1

**Port Values** 1 — 60 (depending on the MDA type)

**Values** (for channelized MDAs):  
CHOC12-SFP: slot/mda/port. [1..4] . [1..3] . [1..28] . [..24]  
For example, 7/2/1.1.1.28.24  
CHOC3-SFP: slot/mda/port. [1..3] . [1..28] . [..24]  
For example, 7/2/1.1.28.24  
DS3: slot/mda/port. [1..28] . [..24]  
For example, 7/1/1.1.1

**aps** — Displays ports on APS groups.

**associations** — Displays a list of current router interfaces to which the port is associated.

**cisco-hdlc** — Displays Cisco HDLC port information.

**count** — Displays only port counter summary information.

**description** — Displays port description strings.

**dot1x** — Displays information about 802.1x status and statistics.

**down-when-looped** — Displays status of port and whether the feature is enabled.

**ethernet** — Displays ethernet port information.

**efm-oam** — Displays EFM OAM information.

**detail** — Displays detailed information about the Ethernet port.

**frame-relay** — Displays Frame Relay information.

**ppp** — Displays PPP protocol information for the port.

**mlfr-link** — Displays link-based MLFR information for the port.

**detail** — Provides detailed information.

**atm** — Displays ATM information.

**connections** — Displays ATM connection information.

**port-connections** — Displays ATM port connection information.

**pvc** — Displays ATM port PVC information.

**pvp** — Displays ATM port PVP information.

**pvt** — Displays ATM port PVT information.

*vpi-range* vpi: 0 — 4095 (NNI)  
 0 — 255 (UNI)  
 vpi: 0 — 4095 (NNI)  
 0 — 255 (UNI)

*vpi/vci* vpi: 0 — 4095 (NNI)  
 0 — 255 (UNI)  
 vci: 1, 2, 5 — 65534

**vport** — Displays vport information.

**associations** — Displays a list of ports to which the vport is assigned.

**detail** — Provides detailed information.

**Output** **Port Output** — The following tables describe port output fields:

- [General Port Output Fields on page 607](#)
- [Entering port ranges: on page 614](#)
- [Specific Port Output Fields on page 616](#)
- [Detailed Port Output Fields on page 623](#)
- [Ethernet Output on page 632](#)
- [Ethernet-Like Medium Statistics Output Fields on page 634](#)
- [Port Associations Output Fields on page 641](#)
- 

| Label       | Description                                                                                                                                                                                                                                                                                                                   |
|-------------|-------------------------------------------------------------------------------------------------------------------------------------------------------------------------------------------------------------------------------------------------------------------------------------------------------------------------------|
| Port ID     | The port ID configured or displayed in the <i>slot/mda/port</i> format.                                                                                                                                                                                                                                                       |
| Admin State | Up — The administrative state is up.<br>Down — The administrative state is down.                                                                                                                                                                                                                                              |
| Phy Link    | Yes — A physical link is present.<br>No — A physical link is not present.                                                                                                                                                                                                                                                     |
| Port State  | Up — The port is physically present and has physical link present.<br>Down — The port is physically present but does not have a link. Note that this state may also be considered as Link Down.<br>Ghost — A port that is not physically present.<br>None — The port is in its initial creation state or about to be deleted. |

| Label              | Description (Continued)                                                                                                                                                                                                                                                                                                                                                                                                                 |
|--------------------|-----------------------------------------------------------------------------------------------------------------------------------------------------------------------------------------------------------------------------------------------------------------------------------------------------------------------------------------------------------------------------------------------------------------------------------------|
|                    | <p><b>Link Up</b> – A port that is physically present and has physical link present.</p> <p>Note that when <b>Link Up</b> appears at the lowest level of a SONET/SDH path or a TDM tributary, it means the physical connection is active but the port is waiting on some other state before data traffic can flow. It is a waiting state and indicates that data traffic will not flow until it transitions to the <b>Up</b> state.</p> |
| <b>Cfg MTU</b>     | The configured MTU.                                                                                                                                                                                                                                                                                                                                                                                                                     |
| <b>Oper MTU</b>    | <p>The negotiated size of the largest packet which can be sent on the port SONET/SDH, channel, specified in octets.</p> <p>For channels that are used for transmitting network datagrams, this is the size of the largest network datagram that can be sent on the channel.</p>                                                                                                                                                         |
| <b>LAG ID</b>      | The LAG or multi-link trunk (MLT) that the port is assigned to.                                                                                                                                                                                                                                                                                                                                                                         |
| <b>Port Mode</b>   | <p><b>network</b> – The port is configured for transport network use.</p> <p><b>access</b> – The port is configured for service access.</p> <p><b>hybrid</b> – The port is configured for both access and network use.</p>                                                                                                                                                                                                              |
| <b>Port Encap</b>  | <p><b>Null</b> – Ingress frames will not use tags or labels to delineate a service.</p> <p><b>dot1q</b> – Ingress frames carry 802.1Q tags where each tag signifies a different service.</p>                                                                                                                                                                                                                                            |
| <b>Port Type</b>   | The type of port or optics installed.                                                                                                                                                                                                                                                                                                                                                                                                   |
| <b>SFP/MDI MDX</b> | <p><b>GIGE</b> – Indicates the GigE SFP type.</p> <p><b>FASTE</b> – Indicates the FastE SFP type.</p> <p><b>GIGX</b> – Indicates the GigX SFP type.</p> <p><b>MDI</b> – Indicates that the Ethernet interface is of type MDI (Media Dependent Interface).</p> <p><b>MDX</b> – Indicates that the Ethernet interface is of type MDX (Media Dependent Interface with crossovers).</p>                                                     |

**Sample Output**

```
A:SR12# show port 3/1/1 atm cp
=====
ATM Connection Profiles, Port 3/1/1
=====
CP Owner Type Ing.TD Egr.TD Adm OAM Opr

5 SAP CP 1 1 - - -
9 SAP CP 1 1 - - -
```



```

=====
A:SR12#

A:SR12# show port 3/1/1 atm cp detail
=====
ATM Connection Profile, Port 3/1/1
=====
CP Owner Type Ing.TD Egr.TD Adm OAM Opr

5 SAP CP 1 1 - - -

=====
ATM Connection Profile Statistics
=====
Input Output

Octets 0 0
Cells 0 0
Dropped CLP=0 Cells 0 0
Dropped Cells (CLP=0+1) 0 0
Tagged Cells 0 0
=====
ATM Connection Profile, Port 3/1/1
=====
CP Owner Type Ing.TD Egr.TD Adm OAM Opr

9 SAP CP 1 1 - - -

=====
ATM Connection Profile Statistics
=====
Input Output

Octets 0 0
Cells 0 0
Dropped CLP=0 Cells 0 0
Dropped Cells (CLP=0+1) 0 0
Tagged Cells 0 0
=====
A:SR12#

A:SR12# show port 3/1/1 atm cp 5
=====
ATM Connection Profile
=====
Port Id : 3/1/1 Connection Profile : 5
Owner : SAP Endpoint Type : CP
Ing. Td Idx : 1 Egr. Td Idx : 1
=====
A:SR12#
A:SR12# show port 3/1/1 atm cp 5 detail
=====
ATM Connection Profile
=====
Port Id : 3/1/1 Connection Profile : 5
Owner : SAP Endpoint Type : CP

```

## Port Show Commands

```

Ing. Td Idx : 1 Egr. Td Idx : 1
=====
ATM Connection Profile Statistics
=====
Input Output

Octets 0 0
Cells 0 0
Dropped CLP=0 Cells 0 0
Dropped Cells (CLP=0+1) 0
Tagged Cells 0
=====
A:SR12#

```

```

*B:Dut-A# show port 2/1/4 atm pvc 20/21 detail
=====
ATM PVC
=====
Port Id : 2/1/4 VPI/VCI : 20/21
Admin State : up Oper state : up
OAM State : up Encap Type : n/a
Owner : SAP AAL Type : n/a
Endpoint Type : PVC Cast Type : P2P
Ing. Td Idx : 1 Egr. Td Idx : 1
Last Changed : 11/01/2010 13:46:16 ILMI Vpi/Vci Range : n/a
=====

```

```

ATM Statistics
=====
Input Output

Octets 855155
Cells 16135
CLP=0 Cells 16135
Dropped CLP=0 Cells 0
Dropped Cells (CLP=0+1) 0
Tagged Cells 0
=====

```

```

ATM OAM Statistics
=====
Input Output

AIS 0 28
RDI 0 0
Loopback 0 0
CRC-10 Errors 0
Other 0
=====

```

\*B:Dut-A#

```

*B:Dut-A# show port 2/1/4 atm cp
=====
ATM Connection Profiles, Port 2/1/4
=====
CP Owner Type Ing.TD Egr.TD Adm OAM Opr

```

## Interface Configuration

```
10 SAP CP 1 1 - - -
20 SAP CP 1 1 - - -
```

```
=====
*B:Dut-A#
```

```
*B:Dut-A# show port 2/1/4 atm cp 10
```

```
=====
ATM Connection Profile
```

```
=====
Port Id : 2/1/4 Connection Profile : 10
Owner : SAP Endpoint Type : CP
Ing. Td Idx : 1 Egr. Td Idx : 1
=====
```

```
*B:Dut-A#
```

```
*A:HW_Node_A# show port 1/1/1
```

```
=====
Ethernet Oam (802.3ah)
```

```
=====
Admin State : downOper State : disabled (protocol state)
Ignore-efm-state : Enabled/Disabled
=====
```

```
*A:HW_Node_A# show port 6/2/1
```

```
=====
Ethernet Interface
```

```
=====
Description : 10/100/Gig Ethernet TX
Interface : 6/2/1 Oper Speed : N/A
Link-level : Ethernet Config Speed : 1 Gbps
Admin State : up Oper Duplex : N/A
Oper State : down Config Duplex : full
Reason Down : crcError|internalMacTxError
Physical Link : No MTU : 9212
Single Fiber Mode : No
IfIndex : 205553664 Hold time up : 0 seconds
Last State Change : 02/11/2010 07:45:17 Hold time down : 0 seconds
Last Cleared Time : N/A DDM Events : Enabled
Phys State Chng Cnt: 3
Configured Mode : network Encap Type : null
Dot1Q Ethertype : 0x8100 QinQ Ethertype : 0x8100
PBB Ethertype : 0x88e7
Ing. Pool % Rate : 100 Egr. Pool % Rate : 100
Ing. Pool Policy : n/a
Egr. Pool Policy : n/a
Net. Egr. Queue Pol: default
Egr. Sched. Pol : n/a
Auto-negotiate : true MDI/MDX : unknown
Accounting Policy : None Collect-stats : Disabled
Egress Rate : Default Ingress Rate : Default
Load-balance-algo : default LACP Tunnel : Disabled

Down-when-looped : Disabled Keep-alive : 10
Loop Detected : False Retry : 120
Use Broadcast Addr : False
```

## Port Show Commands

```
Sync. Status Msg. : Disabled Rx Quality Level : N/A
Tx DUS/DNU : Disabled Tx Quality Level : N/A
SSM Code Type : sdh

Down On Int. Error : Enabled

CRC Mon SD Thresh : 4*10E-5 CRC Mon Window : 5 seconds
CRC Mon SF Thresh : 5*10E-2
CRC Alarms : sdThresholdExceeded sfThresholdExceeded
```

```
*A:ALU-211# show port 1/1/2
=====
Ethernet Interface
=====
Description : 10/100 Ethernet TX
Interface : 1/1/2 Oper Speed : 100 mbps
Link-level : Ethernet Config Speed : 100 mbps
Admin State : up Oper Duplex : full
Oper State : up - Active in LAG 10 Config Duplex : full
Physical Link : Yes MTU : 1514
Single Fiber Mode : No
IfIndex : 35717120 Hold time up : 0 seconds
Last State Change : 12/16/2008 19:31:40 Hold time down : 0 seconds
Last Cleared Time : 12/16/2008 19:31:48
.....
=====
*A:ALU-211#
```

```
*A:ALU-211# show port 1/1/2
=====
Ethernet Interface
=====
Description : 10/100 Ethernet TX
Interface : 1/1/2 Oper Speed : 100 mbps
Link-level : Ethernet Config Speed : 100 mbps
Admin State : up Oper Duplex : full
Oper State : down - Standby in LAG 10 Config Duplex : full
Physical Link : Yes MTU : 1514
Single Fiber Mode : No
IfIndex : 35717120 Hold time up : 0 seconds
Last State Change : 12/16/2008 18:28:52 Hold time down : 0 seconds
Last Cleared Time : 12/16/2008 18:28:51
...
=====
*A:ALU-211#
```

```
*A:Dut-C#
5)
show port slot/mda/2 => offramp port info
show port slot/mda/3 => onramp port info
```

```
*A:Dut-C# show port 2/1/2
=====
ISA-TMS Port
=====
Description : TMS
Port : 2/1/2 Admin State : up
```

## Interface Configuration

```

Last State Change : 09/14/2011 07:03:49 Oper State : up

Configured Mode : network Net. Egr. Queue *: default
=====
* indicates that the corresponding row element may have been truncated.
=====
Port Statistics
=====
 Input Output

Unicast Packets 35365 254
Multicast Packets 0 0
Broadcast Packets 0 0
Discards 0 0
Unknown Proto Discards 0 0
=====
Ethernet-like Medium Statistics
=====
Alignment Errors : 0 Sngl Collisions : 0
FCS Errors : 0 Mult Collisions : 0
SQE Test Errors : 0 Late Collisions : 0
CSE : 0 Excess Collisns : 0
Too long Frames : 0 Int MAC Tx Errs : 0
Symbol Errors : 0 Int MAC Rx Errs : 0
=====
*A:Dut-C# show port 2/1/3
=====
ISA-TMS Port
=====
Description : TMS
Port : 2/1/3 Admin State : up
Last State Change : 09/14/2011 07:03:49 Oper State : up

Configured Mode : network Net. Egr. Queue *: default
=====
* indicates that the corresponding row element may have been truncated.
=====
Port Statistics
=====
 Input Output

Unicast Packets 1 35710
Multicast Packets 0 0
Broadcast Packets 0 0
Discards 0 0
Unknown Proto Discards 0 0
=====
Ethernet-like Medium Statistics
=====
Alignment Errors : 0 Sngl Collisions : 0
FCS Errors : 0 Mult Collisions : 0
SQE Test Errors : 0 Late Collisions : 0
CSE : 0 Excess Collisns : 0
Too long Frames : 0 Int MAC Tx Errs : 0
Symbol Errors : 0 Int MAC Rx Errs : 0
=====

```

## Port Show Commands

### Entering port ranges:

```
*A:ALU-1# configure port 1/1/[1..3] shut
*A:ALU-1# show port 1/1
=====
Ports on Slot 1
=====
```

| Port Id | Admin State | Link State | Port State | Cfg MTU | Oper MTU | LAG/ Bndl Mode | Port Encp | Port Type | SFP/XFP/ MDIMDX |
|---------|-------------|------------|------------|---------|----------|----------------|-----------|-----------|-----------------|
| 1/1/1   | Down        | No         | Down       | 1518    | 1518     | 1 accs         | dotq      | gige      |                 |
| 1/1/2   | Down        | No         | Down       | 1578    | 1578     | - netw         | null      | gige      |                 |
| 1/1/3   | Down        | No         | Down       | 1578    | 1578     | - netw         | null      | gige      |                 |
| 1/1/4   | Up          | No         | Down       | 1514    | 1514     | - accs         | null      | gige      |                 |
| 1/1/5   | Up          | No         | Down       | 1578    | 1578     | - netw         | null      | gige      |                 |

```
=====
*A:ALU-1#
```

### Transceiver Data

```
Transceiver Type : MSA-100GLH
Model Number : 28-0089-XX
TX Laser Wavelength: 1558.172 nm
TX Laser Frequency : 192.400 THz
Laser Tunability : fully-tunable
Present Channel : 24
Configured Chann* : 24
50GHz Ch Min/Max : 115/605
100GHz Ch Min/Max : 12/61
DAC Percent : 50.00 %
RxDTV Adjust : Enabled
Diag Capable : yes
Number of Lanes : 1
Connector Code : LC
Vendor OUI : 00:03:fa
Manufacture date : 2012/07/16
Media : Ethernet
Serial Number : 122900645
Part Number : AC100-201-00E
Optical Compliance : DWDM-TUN
Link Length support: 80km for SMF
```

### Transceiver Digital Diagnostic Monitoring (DDM)

```
=====
Value High Alarm High Warn Low Warn Low Alarm

```

|                    | Value | High Alarm | High Warn | Low Warn | Low Alarm |
|--------------------|-------|------------|-----------|----------|-----------|
| Temperature (C)    | +60.9 | +80.0      | +70.0     | +0.0     | -5.0      |
| Supply Voltage (V) | 12.07 | 13.00      | 12.60     | 11.40    | 11.00     |

```
=====
```

### Transceiver Lane Digital Diagnostic Monitoring (DDM)

```
=====
High Alarm High Warn Low Warn Low Alarm

```

|                               | High Alarm | High Warn | Low Warn | Low Alarm |
|-------------------------------|------------|-----------|----------|-----------|
| Lane Temperature (C)          | +75.0      | +70.0     | +20.0    | +15.0     |
| Lane Tx Bias Current (mA)     | 10.0       | 9.0       | 3.0      | 2.0       |
| Lane Tx Output Power (dBm)    | 3.00       | 2.00      | 0.00     | -1.00     |
| Lane Rx Optical Pwr (avg dBm) | 8.16       | 5.00      | -20.00   | -23.01    |

```
=====
```

```
Lane ID Temp(C)/Alm Tx Bias(mA)/Alm Tx Pwr(dBm)/Alm Rx Pwr(dBm)/Alm
```

## Interface Configuration

```

1 +48.4 5.1 0.99 -10.45

```

```
=====
Coherent Optical Module
=====
```

```
fg Tx Target Power: 1.00 dBm Present Rx Channel : 24
Cfg Rx LOS Thresh : -23.00 dBm Cfg Rx Channel : 24 (auto)
```

```
Disp Control Mode : automatic Sweep Start Disp : -25500 ps/nm
Cfg Dispersion : 0 ps/nm Sweep End Disp : 2000 ps/nm
CPR Window Size : 4 symbols
```

```
Cfg Alarms : modflt mod netrx nettx hosttx
Alarm Status :
Defect Points :
```

```
Rx Q Margin : 10.1 dB Chromatic Disp : 1 ps/nm
SNR X Polar : 19.7 dB Diff Group Delay : 0 ps
SNR Y Polar : 19.8 dB Pre-FEC BER : 0.000E+00
```

```
Module State : ready
Tx Turn-Up States : init laserTurnUp laserReadyOff laserReady
 modulatorConverge outputPowerAdjust
Rx Turn-Up States : init laserReady waitForInput adcSignal opticalLock
 demodLock
```

```
=====
Wavelength Tracker
=====
```

```
Port Type : pluggable SFP VOA Present : yes
```

```
SFP VOA Type : fast
Serial Number : ALLU11--JS0100456
Part Number : 21131722-0101
```

```
Power Control : Enabled WaveKey Status : Disabled
Target Power : -10.00 dBm WaveKey 1 : 0
Measured Power : -9.99 dBm WaveKey 2 : 0
```

```
Cfg Alarms : enc-fail enc-degr pwr-fail pwr-degr pwr-high pwr-low
 missing
Alarm Status :
```

```
Maximum Power : -2.60 dBm Power Upper Margin : 7.39 dB
Minimum Power : -22.00 dBm Power Lower Margin : 12.01 dB
=====
```

Show port optical detail:

```
=====
Coherent Optical Module
=====
```

```
Cfg Tx Target Power: 1.00 dBm Present Rx Channel : 24
CPR Window Size : 4 symbols Cfg Rx Channel : 24 (auto)
```

## Port Show Commands

```

Disp Control Mode : automatic Sweep Start Disp : -25500 ps/nm
Cfg Dispersion : 0 ps/nm Sweep End Disp : 2000 ps/nm

Cfg Alarms : modflt mod netrx nettx hosttx
Alarm Status :
Defect Points :

Rx Q Margin : 10.1 dB Chromatic Disp : 1 ps/nm
SNR X Polar : 19.7 dB Diff Group Delay : 0 ps
SNR Y Polar : 19.5 dB Pre-FEC BER : 0.000E+00

Module State : ready
Tx Turn-Up States : init laserTurnUp laserReadyOff laserReady
 : modulatorConverge outputPowerAdjust
Rx Turn-Up States : init laserReady waitForInput adcSignal opticalLock
 : demodLock

```

### ----- Coherent Optical Port Statistics (Elapsed Seconds: 80674)

| Statistic                 | Current   | Average   | Minimum   | Maximum   |
|---------------------------|-----------|-----------|-----------|-----------|
| Rx BER                    | 0.000E+00 | 2.323E-05 | 0.000E+00 | 4.646E-05 |
| Rx SNR (dB)               | 19.6      | 10.0      | 0.0       | 20.1      |
| Rx Chromatic Disp (ps/nm) | 1         | -18       | -37       | 1         |
| Rx Diff Group Delay (ps)  | 0         | 0         | 0         | 0         |
| Rx Freq Offset (MHz)      | 38        | -74       | -347      | 200       |
| Rx Q (dB)                 | 16.6      | 8.3       | 0.0       | 16.6      |
| Rx Power (dBm)            | -10.44    | -13.40    | -99.00    | -10.39    |
| Tx Power (dBm)            | 0.98      | -2.00     | -99.00    | 1.01      |

**Specific Port Output** — The following table describes port output fields for a specific port.

| Label       | Description                                                                                                        |
|-------------|--------------------------------------------------------------------------------------------------------------------|
| Description | A text description of the port.                                                                                    |
| Interface   | The port ID displayed in the <i>slot/mda/port</i> format.                                                          |
| Speed       | The speed of the interface.                                                                                        |
| Link-level  | Ethernet — The port is configured as Ethernet.<br>SONET — The port is configured as SONET-SDH.                     |
| MTU         | The size of the largest packet which can be sent/received on the Ethernet physical interface, specified in octets. |
| Admin State | Up — The port is administratively up.<br>Down — The port is administratively down.                                 |
| Oper State  | Up — The port is operationally up.                                                                                 |



| Label               | Description (Continued)                                                                                                                                                                                                                                                                                                                                                                                                                                                                                                               |
|---------------------|---------------------------------------------------------------------------------------------------------------------------------------------------------------------------------------------------------------------------------------------------------------------------------------------------------------------------------------------------------------------------------------------------------------------------------------------------------------------------------------------------------------------------------------|
|                     | Down – The port is operationally down.<br>Additionally, the <i>lag-id</i> of the LAG it belongs to in addition to the status of the LAG member (active or standby) is specified.                                                                                                                                                                                                                                                                                                                                                      |
| Duplex              | Full – The link is set to full duplex mode.<br>Half – The link is set to half duplex mode.                                                                                                                                                                                                                                                                                                                                                                                                                                            |
| Hold time up        | The link up dampening time in seconds. The port link dampening timer value which reduces the number of link transitions reported to upper layer protocols.                                                                                                                                                                                                                                                                                                                                                                            |
| Hold time down      | The link down dampening time in seconds. The <b>down</b> timer controls the dampening timer for link down transitions.                                                                                                                                                                                                                                                                                                                                                                                                                |
| Physical Link       | Yes – A physical link is present.<br>No – A physical link is not present.                                                                                                                                                                                                                                                                                                                                                                                                                                                             |
| IfIndex             | Displays the interface's index number which reflects its initialization sequence.                                                                                                                                                                                                                                                                                                                                                                                                                                                     |
| Last State chg      | Displays the system time moment that the peer is up.                                                                                                                                                                                                                                                                                                                                                                                                                                                                                  |
| Last State Change   | Displays the system time moment that the MC-LAG group is up.                                                                                                                                                                                                                                                                                                                                                                                                                                                                          |
| Phys State Chng Cnt | Increments when a fully qualified (de-bounced) transition occurs at the physical layer of an ethernet port which includes the following transitions of the Port State as shown in the “show port” summary:<br>- from “Down” to either “Link Up” or “Up”<br>- from either “Link Up” or “Up” to “Down”<br>This counter does not increment for changes purely in the link protocol states (e.g. "Link Up" to "Up"). The counter is reset if the container objects for the port are deleted (e.g. MDA deconfigured, or IOM type changes). |
| Last Cleared Time   | Displays the system time moment that the peer is up.                                                                                                                                                                                                                                                                                                                                                                                                                                                                                  |
| DDM Events          | Enabled – DDM events are enabled<br>Disabled – DDM events are disabled                                                                                                                                                                                                                                                                                                                                                                                                                                                                |
| Configured Mode     | network – The port is configured for transport network use.<br>access – The port is configured for service access.                                                                                                                                                                                                                                                                                                                                                                                                                    |
| Dot1Q Ethertype     | Indicates the Ethertype expected when the port's encapsulation type is Dot1Q.                                                                                                                                                                                                                                                                                                                                                                                                                                                         |
| QinQ Ethertype      | Indicates the Ethertype expected when the port's encapsulation type is QinQ.                                                                                                                                                                                                                                                                                                                                                                                                                                                          |

## Port Show Commands

| Label               | Description (Continued)                                                                                                                                                                                                                                                                                                                                                                                                                   |
|---------------------|-------------------------------------------------------------------------------------------------------------------------------------------------------------------------------------------------------------------------------------------------------------------------------------------------------------------------------------------------------------------------------------------------------------------------------------------|
| Net. Egr. Queue Pol | Specifies the network egress queue policy or that the default policy is used.                                                                                                                                                                                                                                                                                                                                                             |
| Encap Type          | <p>Null – Ingress frames will not use any tags or labels to delineate a service.</p> <p>dot1q – Ingress frames carry 802.1Q tags where each tag signifies a different service.</p>                                                                                                                                                                                                                                                        |
| Active Alarms       | The number of alarms outstanding on this port.                                                                                                                                                                                                                                                                                                                                                                                            |
| Auto-negotiate      | <p>True – The link attempts to automatically negotiate the link speed and duplex parameters.</p> <p>False – The duplex and speed values are used for the link.</p>                                                                                                                                                                                                                                                                        |
| Alarm State         | The current alarm state of the port.                                                                                                                                                                                                                                                                                                                                                                                                      |
| Collect Stats       | <p>Enabled – The collection of accounting and statistical data for the network Ethernet port is enabled. When applying accounting policies the data by default will be collected in the appropriate records and written to the designated billing file.</p> <p>Disabled – Collection is disabled. Statistics are still accumulated by the IOM cards, however, the CPU will not obtain the results and write them to the billing file.</p> |
| Egress Rate         | The maximum amount of egress bandwidth (in kilobits per second) that this Ethernet interface can generate.                                                                                                                                                                                                                                                                                                                                |
| Egress Buf (Acc)    | The access-buffer policy for the egress buffer.                                                                                                                                                                                                                                                                                                                                                                                           |
| Egress Buf (Net)    | The network-buffer policy for the egress buffer.                                                                                                                                                                                                                                                                                                                                                                                          |
| Egress Pool Size    | The amount of egress buffer space, expressed as a percentage of the available buffer space that will be allocated to the port or channel for egress buffering.                                                                                                                                                                                                                                                                            |
| Ingress Buf (Acc)   | The access-buffer policy for the ingress buffer.                                                                                                                                                                                                                                                                                                                                                                                          |
| Ingress Pool Size   | The amount of ingress buffer space, expressed as a percentage of the available buffer space that will be allocated to the port or channel for ingress buffering.                                                                                                                                                                                                                                                                          |
| OTU                 | OTU encapsulation status.                                                                                                                                                                                                                                                                                                                                                                                                                 |
| Configured Address  | The base chassis Ethernet MAC address.                                                                                                                                                                                                                                                                                                                                                                                                    |
| Hardware Address    | The interface's hardware or system assigned MAC address at its protocol sub-layer.                                                                                                                                                                                                                                                                                                                                                        |

| Label            | Description (Continued)                                                                                                    |
|------------------|----------------------------------------------------------------------------------------------------------------------------|
| Transceiver Type | Type of the transceiver.                                                                                                   |
| Model Number     | The model number of the transceiver.                                                                                       |
| Transceiver Code | The code for the transmission media.                                                                                       |
| Laser Wavelength | The light wavelength transmitted by the transceiver's laser.                                                               |
| Connector Code   | The vendor organizationally unique identifier field (OUI) contains the IEEE company identifier for the vendor.             |
| Diag Capable     | Indicates if the transceiver is capable of doing diagnostics.                                                              |
| Vendor OUI       | The vendor-specific identifier field (OUI) contains the IEEE company identifier for the vendor.                            |
| Manufacture date | The manufacturing date of the hardware component in the mmddyyyy ASCII format.                                             |
| Media            | The media supported for the SFP.                                                                                           |
| Serial Number    | The vendor serial number of the hardware component.                                                                        |
| Part Number      | The vendor part number contains ASCII characters, defining the vendor part number or product name.                         |
| Input/Output     | When the collection of accounting and statistical data is enabled, then octet, packet, and error statistics are displayed. |
| Description      | A text description of the port.                                                                                            |
| Interface        | The port ID displayed in the <i>slot/mda/port</i> format.                                                                  |
| Speed            | The speed of the interface                                                                                                 |
| Link-level       | Ethernet – The port is configured as Ethernet.<br>SONET – The port is configured as SONET-SDH                              |
| MTU              | The size of the largest packet which can be sent/received on the Ethernet physical interface, specified in octets.         |
| Admin State      | Up – The port is administratively up.<br>Down – The port is administratively down.                                         |
| Oper State       | Up – The port is operationally up.<br>Down – The port is operationally down.                                               |
| Duplex           | Full – The link is set to full duplex mode.<br>Half – The link is set to half duplex mode.                                 |

## Port Show Commands

| Label             | Description (Continued)                                                                                                                                                                                                                                                                                                                                                                                                        |
|-------------------|--------------------------------------------------------------------------------------------------------------------------------------------------------------------------------------------------------------------------------------------------------------------------------------------------------------------------------------------------------------------------------------------------------------------------------|
| Hold time up      | The link up dampening time in seconds. The port link dampening timer value which reduces the number of link transitions reported to upper layer protocols.                                                                                                                                                                                                                                                                     |
| Hold time down    | The link down dampening time in seconds. The <b>down</b> timer controls the dampening timer for link down transitions.                                                                                                                                                                                                                                                                                                         |
| IfIndex           | Displays the interface's index number which reflects its initialization sequence.                                                                                                                                                                                                                                                                                                                                              |
| Phy Link          | Yes – A physical link is present.<br>No – A physical link is not present.                                                                                                                                                                                                                                                                                                                                                      |
| Configured Mode   | network – The port is configured for transport network use.<br>access – The port is configured for service access.                                                                                                                                                                                                                                                                                                             |
| Network Qos Pol   | The network QoS policy ID applied to the port.                                                                                                                                                                                                                                                                                                                                                                                 |
| Encap Type        | Null – Ingress frames will not use any tags or labels to delineate a service.<br>dot1q – Ingress frames carry 802.1Q tags where each tag signifies a different service.                                                                                                                                                                                                                                                        |
| Active Alarms     | The number of alarms outstanding on this port.                                                                                                                                                                                                                                                                                                                                                                                 |
| Auto-negotiate    | True – The link attempts to automatically negotiate the link speed and duplex parameters.<br>False – The duplex and speed values are used for the link.                                                                                                                                                                                                                                                                        |
| Alarm State       | The current alarm state of the port.                                                                                                                                                                                                                                                                                                                                                                                           |
| Collect Stats     | Enabled – The collection of accounting and statistical data for the network Ethernet port is enabled. When applying accounting policies the data by default will be collected in the appropriate records and written to the designated billing file.<br>Disabled – Collection is disabled. Statistics are still accumulated by the IOM cards, however, the CPU will not obtain the results and write them to the billing file. |
| Down-When-Looped  | Shows whether the feature is enabled or disabled.                                                                                                                                                                                                                                                                                                                                                                              |
| Egress Buf (Acc)  | The access-buffer policy for the egress buffer.                                                                                                                                                                                                                                                                                                                                                                                |
| Egress Buf (Net)  | The network-buffer policy for the egress buffer.                                                                                                                                                                                                                                                                                                                                                                               |
| Ingress Buf (Acc) | The access-buffer policy for the ingress buffer.                                                                                                                                                                                                                                                                                                                                                                               |

| Label                          | Description (Continued)                                                                                                                                                                                                                                                                                                                                                                                                                                                                                                                                                                                                 |
|--------------------------------|-------------------------------------------------------------------------------------------------------------------------------------------------------------------------------------------------------------------------------------------------------------------------------------------------------------------------------------------------------------------------------------------------------------------------------------------------------------------------------------------------------------------------------------------------------------------------------------------------------------------------|
| Ingress Pool Size              | The amount of ingress buffer space, expressed as a percentage of the available buffer space, that will be allocated to the port or channel for ingress buffering.                                                                                                                                                                                                                                                                                                                                                                                                                                                       |
| Configured Address             | The base chassis Ethernet MAC address.                                                                                                                                                                                                                                                                                                                                                                                                                                                                                                                                                                                  |
| Hardware Address               | The interface's hardware or system assigned MAC address at its protocol sub-layer.                                                                                                                                                                                                                                                                                                                                                                                                                                                                                                                                      |
| Errors Input/Output            | <p>For packet-oriented interfaces, the number of inbound packets that contained errors preventing them from being deliverable to a higher-layer protocol. For character-oriented or fixed-length interfaces, the number of inbound transmission units that contained errors preventing them from being deliverable to a higher-layer protocol.</p> <p>For packet-oriented interfaces, the number of outbound packets that could not be transmitted because of errors. For character-oriented or fixed-length interfaces, the number of outbound transmission units that could not be transmitted because of errors.</p> |
| Unicast Packets Input/Output   | The number of packets, delivered by this sub-layer to a higher (sub-) layer, which were not addressed to a multicast or broadcast address at this sub-layer. The total number of packets that higher-level protocols requested be transmitted, and which were not addressed to a multicast or broadcast address at this sub-layer, including those that were discarded or not sent.                                                                                                                                                                                                                                     |
| Multicast Packets Input/Output | The number of packets, delivered by this sub-layer to a higher (sub-) layer, which were addressed to a multicast address at this sub-layer. For a MAC layer protocol, this includes both group and functional addresses. The total number of packets that higher-level protocols requested be transmitted, and which were addressed to a multicast address at this sub-layer, including those that were discarded or not sent. For a MAC layer protocol, this includes both Group and Functional addresses.                                                                                                             |
| Broadcast Packets Input/Output | <p>The number of packets, delivered by this sub-layer to a higher (sub-) layer, which were addressed to a broadcast address at this sub-layer.</p> <p>The total number of packets that higher-level protocols requested be transmitted, and which were addressed to a multicast address at this sub-layer, including those that were discarded or not sent.</p> <p>For a MAC layer protocol, this includes both Group and Functional addresses.</p>                                                                                                                                                                     |
| Discards Input/Output          | The number of inbound packets chosen to be discarded to possibly free up buffer space.                                                                                                                                                                                                                                                                                                                                                                                                                                                                                                                                  |

## Port Show Commands

| <b>Label</b>                        | <b>Description (Continued)</b>                                                                                                                                                                                                                                                                                                                                                                                                                                                                                                                                                                              |
|-------------------------------------|-------------------------------------------------------------------------------------------------------------------------------------------------------------------------------------------------------------------------------------------------------------------------------------------------------------------------------------------------------------------------------------------------------------------------------------------------------------------------------------------------------------------------------------------------------------------------------------------------------------|
| Unknown Proto Discards Input/Output | For packet-oriented interfaces, the number of packets received through the interface which were discarded because of an unknown or unsupported protocol. For character-oriented or fixed-length interfaces that support protocol multiplexing the number of transmission units received via the interface which were discarded because of an unknown or unsupported protocol. For any interface that does not support protocol multiplexing, this counter will always be 0. For ATM, this field displays cells discarded on an invalid vpi/vci. Unknown proto discards do not show up in the packet counts. |
| Errors                              | This field displays the number of cells discarded due to uncorrectable HEC errors. Errors do not show up in the raw cell counts.                                                                                                                                                                                                                                                                                                                                                                                                                                                                            |
| Sync. Status Msg                    | Whether synchronization status messages are enabled or disabled.                                                                                                                                                                                                                                                                                                                                                                                                                                                                                                                                            |
| Tx DUS/DNU                          | Whether the QL value is forcibly set to QL-DUS/QL-DNU.                                                                                                                                                                                                                                                                                                                                                                                                                                                                                                                                                      |
| Rx Quality Level                    | Indicates which QL value has been received from the interface.                                                                                                                                                                                                                                                                                                                                                                                                                                                                                                                                              |
| Tx Quality Level                    | Indicates which QL value is being transmitted out of the interface.                                                                                                                                                                                                                                                                                                                                                                                                                                                                                                                                         |
| SSM Code Type                       | Indicates the SSM code type in use on the port.                                                                                                                                                                                                                                                                                                                                                                                                                                                                                                                                                             |

**Detailed Port Output** — The following table describes detailed port output fields.

| Label               | Description                                                                                                                                                                                                                                                                                                                                                                                                                                                                                                                           |
|---------------------|---------------------------------------------------------------------------------------------------------------------------------------------------------------------------------------------------------------------------------------------------------------------------------------------------------------------------------------------------------------------------------------------------------------------------------------------------------------------------------------------------------------------------------------|
| Description         | A text description of the port.                                                                                                                                                                                                                                                                                                                                                                                                                                                                                                       |
| Interface           | The port ID displayed in the <i>slot/mda/port</i> format.                                                                                                                                                                                                                                                                                                                                                                                                                                                                             |
| Speed               | The speed of the interface.                                                                                                                                                                                                                                                                                                                                                                                                                                                                                                           |
| Link-level          | Ethernet — The port is configured as Ethernet.<br>SONET — The port is configured as SONET/SDH.                                                                                                                                                                                                                                                                                                                                                                                                                                        |
| MTU                 | The size of the largest packet which can be sent/received on the Ethernet physical interface, specified in octets.                                                                                                                                                                                                                                                                                                                                                                                                                    |
| Admin State         | Up — The port is administratively up.<br>Down — The port is administratively down.                                                                                                                                                                                                                                                                                                                                                                                                                                                    |
| Oper State          | Up — The port is operationally up.<br>Down — The port is operationally down.                                                                                                                                                                                                                                                                                                                                                                                                                                                          |
| Duplex              | Full — The link is set to full duplex mode.<br>Half — The link is set to half duplex mode.                                                                                                                                                                                                                                                                                                                                                                                                                                            |
| Hold time up        | The link up dampening time in seconds. The port link dampening timer value which reduces the number of link transitions reported to upper layer protocols.                                                                                                                                                                                                                                                                                                                                                                            |
| Hold time down      | The link down dampening time in seconds. The <b>down</b> timer controls the dampening timer for link down transitions.                                                                                                                                                                                                                                                                                                                                                                                                                |
| IfIndex             | Displays the interface's index number which reflects its initialization sequence.                                                                                                                                                                                                                                                                                                                                                                                                                                                     |
| Phy Link            | Yes — A physical link is present.<br>No — A physical link is not present.                                                                                                                                                                                                                                                                                                                                                                                                                                                             |
| Phys State Chng Cnt | Increments when a fully qualified (de-bounced) transition occurs at the physical layer of an ethernet port which includes the following transitions of the Port State as shown in the “show port” summary:<br>- from “Down” to either “Link Up” or “Up”<br>- from either “Link Up” or “Up” to “Down”<br>This counter does not increment for changes purely in the link protocol states (e.g. "Link Up" to "Up"). The counter is reset if the container objects for the port are deleted (e.g. MDA deconfigured, or IOM type changes). |
| Last Cleared Time   | Displays the system time moment that the peer is up.                                                                                                                                                                                                                                                                                                                                                                                                                                                                                  |

## Port Show Commands

| Label             | Description (Continued)                                                                                                                                                                                                                                                                                                                                                                                                        |
|-------------------|--------------------------------------------------------------------------------------------------------------------------------------------------------------------------------------------------------------------------------------------------------------------------------------------------------------------------------------------------------------------------------------------------------------------------------|
| DDM Events        | Enabled – DDM events are enabled<br>Disabled – DDM events are disabled                                                                                                                                                                                                                                                                                                                                                         |
| Configured Mode   | network – The port is configured for transport network use.<br>access – The port is configured for service access.                                                                                                                                                                                                                                                                                                             |
| Network Qos Pol   | The QoS policy ID applied to the port.                                                                                                                                                                                                                                                                                                                                                                                         |
| Access Egr. Qos   | Specifies the access egress policy or that the default policy 1 is in use.                                                                                                                                                                                                                                                                                                                                                     |
| Egr. Sched. Pol   | Specifies the port scheduler policy or that the default policy default is in use.                                                                                                                                                                                                                                                                                                                                              |
| Encap Type        | Null – Ingress frames will not use any tags or labels to delineate a service.<br>dot1q – Ingress frames carry 802.1Q tags where each tag signifies a different service.                                                                                                                                                                                                                                                        |
| Active Alarms     | The number of alarms outstanding on this port.                                                                                                                                                                                                                                                                                                                                                                                 |
| Auto-negotiate    | True – The link attempts to automatically negotiate the link speed and duplex parameters.<br>False – The duplex and speed values are used for the link.                                                                                                                                                                                                                                                                        |
| Alarm State       | The current alarm state of the port.                                                                                                                                                                                                                                                                                                                                                                                           |
| Collect Stats     | Enabled – The collection of accounting and statistical data for the network Ethernet port is enabled. When applying accounting policies the data by default will be collected in the appropriate records and written to the designated billing file.<br>Disabled – Collection is disabled. Statistics are still accumulated by the IOM cards, however, the CPU will not obtain the results and write them to the billing file. |
| Down-When-Looped  | Shows whether the feature is enabled or disabled.                                                                                                                                                                                                                                                                                                                                                                              |
| Egress Rate       | The maximum amount of egress bandwidth (in kilobits per second) that this Ethernet interface can generate.                                                                                                                                                                                                                                                                                                                     |
| Egress Buf (Acc)  | The access-buffer policy for the egress buffer.                                                                                                                                                                                                                                                                                                                                                                                |
| Egress Buf (Net)  | The network-buffer policy for the egress buffer.                                                                                                                                                                                                                                                                                                                                                                               |
| Egress Pool Size  | The amount of egress buffer space, expressed as a percentage of the available buffer space that will be allocated to the port or channel for egress buffering.                                                                                                                                                                                                                                                                 |
| Ingress Buf (Acc) | The access-buffer policy for the ingress buffer.                                                                                                                                                                                                                                                                                                                                                                               |



| Label                          | Description (Continued)                                                                                                                                                                                                                                                                                                                                                                                                                                                                                                                                                                                      |
|--------------------------------|--------------------------------------------------------------------------------------------------------------------------------------------------------------------------------------------------------------------------------------------------------------------------------------------------------------------------------------------------------------------------------------------------------------------------------------------------------------------------------------------------------------------------------------------------------------------------------------------------------------|
| Ingress Pool Size              | The amount of ingress buffer space, expressed as a percentage of the available buffer space, that will be allocated to the port or channel for ingress buffering.                                                                                                                                                                                                                                                                                                                                                                                                                                            |
| Configured Address             | The base chassis Ethernet MAC address.                                                                                                                                                                                                                                                                                                                                                                                                                                                                                                                                                                       |
| Hardware Address               | The interface's hardware or system assigned MAC address at its protocol sub-layer.                                                                                                                                                                                                                                                                                                                                                                                                                                                                                                                           |
| Errors Input/Output            | For packet-oriented interfaces, the number of inbound packets that contained errors preventing them from being deliverable to a higher-layer protocol. For character-oriented or fixed-length interfaces, the number of inbound transmission units that contained errors preventing them from being deliverable to a higher-layer protocol.<br>For packet-oriented interfaces, the number of outbound packets that could not be transmitted because of errors. For character-oriented or fixed-length interfaces, the number of outbound transmission units that could not be transmitted because of errors. |
| Unicast Packets Input/Output   | The number of packets, delivered by this sub-layer to a higher (sub-) layer, which were not addressed to a multicast or broadcast address at this sub-layer. The total number of packets that higher-level protocols requested be transmitted, and which were not addressed to a multicast or broadcast address at this sub-layer, including those that were discarded or not sent.                                                                                                                                                                                                                          |
| Multicast Packets Input/Output | The number of packets, delivered by this sub-layer to a higher (sub-) layer, which were addressed to a multicast address at this sub-layer. For a MAC layer protocol, this includes both Group and Functional addresses. The total number of packets that higher-level protocols requested be transmitted, and which were addressed to a multicast address at this sub-layer, including those that were discarded or not sent. For a MAC layer protocol, this includes both Group and Functional addresses.                                                                                                  |
| Broadcast Packets Input/Output | The number of packets, delivered by this sub-layer to a higher (sub-) layer, which were addressed to a broadcast address at this sub-layer. The total number of packets that higher-level protocols requested be transmitted, and which were addressed to a multicast address at this sub-layer, including those that were discarded or not sent. For a MAC layer protocol, this includes both Group and Functional addresses.                                                                                                                                                                               |
| Discards Input/Output          | The number of inbound packets chosen to be discarded to possibly free up buffer space.                                                                                                                                                                                                                                                                                                                                                                                                                                                                                                                       |

## Port Show Commands

| Label                               | Description (Continued)                                                                                                                                                                                                                                                                                                                                                                                                                                                                                                                                                                                     |
|-------------------------------------|-------------------------------------------------------------------------------------------------------------------------------------------------------------------------------------------------------------------------------------------------------------------------------------------------------------------------------------------------------------------------------------------------------------------------------------------------------------------------------------------------------------------------------------------------------------------------------------------------------------|
| Unknown Proto Discards Input/Output | For packet-oriented interfaces, the number of packets received through the interface which were discarded because of an unknown or unsupported protocol. For character-oriented or fixed-length interfaces that support protocol multiplexing the number of transmission units received via the interface which were discarded because of an unknown or unsupported protocol. For any interface that does not support protocol multiplexing, this counter will always be 0. For ATM, this field displays cells discarded on an invalid vpi/vci. Unknown proto discards do not show up in the packet counts. |
| Errors                              | For ATM, this field displays the number of cells discarded due to uncorrectable HEC errors. Errors do not show up in the raw cell counts.                                                                                                                                                                                                                                                                                                                                                                                                                                                                   |
| LLF Admin State                     | Displays the Link Loss Forwarding administrative state.                                                                                                                                                                                                                                                                                                                                                                                                                                                                                                                                                     |
| LLF Oper State                      | Displays the Link Loss Forwarding operational state.                                                                                                                                                                                                                                                                                                                                                                                                                                                                                                                                                        |
| Rx S1 Byte                          | Displays the received S1 byte and its decoded QL value.                                                                                                                                                                                                                                                                                                                                                                                                                                                                                                                                                     |
| Tx S1 Byte                          | Displays the transmitted S1 byte and its decoded QL value.                                                                                                                                                                                                                                                                                                                                                                                                                                                                                                                                                  |
| Tx DUS/DNU                          | Displays whether the QL value is forcibly set to QL-DUS/QL-DNU.                                                                                                                                                                                                                                                                                                                                                                                                                                                                                                                                             |

### Sample Output

```
A:ALA-251# show port 1/2/1 detail
=====
Ethernet Interface
=====
Description : 10/100 Ethernet TX
Interface : 1/2/1
Link-level : Ethernet
Admin State : up
Oper State : down
Physical Link : No
Single Fiber Mode : No
IfIndex : 37781504
Last State Change : 01/03/2008 15:17:00
Last Cleared Time : 01/03/2008 15:17:01
Phys State Chng Cnt: Last Cleared Time : N/A
Enabled
Phys State Chng Cnt: 3Configured Mode : network
Dot1Q Ethertype : 0x8100
PBB Ethertype : 0x88e7
Ing. Pool % Rate : 100
Net. Egr. Queue Pol: default
Egr. Sched. Pol : n/a
Auto-negotiate : false
Accounting Policy : None
Egress Rate : Default
Load-balance-algo : default
Oper Speed : 0 mbps
Config Speed : 100 mbps
Oper Duplex : N/A
Config Duplex : full
MTU : 1514
Clock Mode : synchronous
Hold time up : 0 seconds
Hold time down : 0 seconds
DDM Events :
Encap Type : null
QinQ Ethertype : 0x8100
Egr. Pool % Rate : 100
MDI/MDX : unknown
Collect-stats : Disabled
Ingress Rate : Default
LACP Tunnel : Disabled
```

## Interface Configuration

```
Down-when-looped : Disabled Keep-alive : 10
Loop Detected : False Retry : 120

Sync. Status Msg. : Enabled Rx Quality Level : 0xa(eec2)
Tx DUS/DNU : Disabled Tx Quality Level : 0xa(eec2)
SSM Code Type : sonet

Configured Address : 00:21:05:7e:b1:48

Hardware Address : 14:30:01:02:00:01
Cfg Alarm :
Alarm Status

=====
Traffic Statistics
=====
 Input Output

Octets 0 0
Packets 0 0
Errors 0 0
=====
Ethernet Statistics
=====
Broadcast Pckts : 0 Drop Events : 0
Multicast Pckts : 0 CRC/Align Errors : 0
Undersize Pckts : 0 Fragments : 0
Oversize Pckts : 0 Jabbers : 0
Collisions : 0

Octets : 0
Packets : 0
Packets of 64 Octets : 0
Packets of 65 to 127 Octets : 0
Packets of 128 to 255 Octets : 0
Packets of 256 to 511 Octets : 0
Packets of 512 to 1023 Octets : 0
Packets of 1024 to 1518 Octets : 0
Packets of 1519 or more Octets : 0
=====
Port Statistics
=====
 Input Output

Unicast Packets 0 0
Multicast Packets 0 0
Broadcast Packets 0 0
Discards 0 0
Unknown Proto Discards 0 0
=====
Ethernet-like Medium Statistics
=====
Alignment Errors : 0 Sngl Collisions : 0
FCS Errors : 0 Mult Collisions : 0
SQE Test Errors : 0 Late Collisions : 0
CSE : 0 Excess Collisns : 0
Too long Frames : 0 Int MAC Tx Errs : 0
Symbol Errors : 0 Int MAC Rx Errs : 0
=====
Queue Statistics
```

## Port Show Commands

```
=====
Ingress Queue 1 Packets Octets
 In Profile forwarded : 0 0
 In Profile dropped : 0 0
 Out Profile forwarded: 0 0
...
Egress Queue 8 Packets Octets
 In Profile forwarded : 0 0
 In Profile dropped : 0 0
 Out Profile forwarded: 0 0
 Out Profile dropped : 0 0
=====
A:ALA-251#
```

B:PE-1# show port 2/1/18 detail

```
=====
Ethernet Interface
=====
Description : 10/100/Gig Ethernet SFP
Interface : 2/1/18
Link-level : Ethernet
Admin State : up
Oper State : up
Physical Link : Yes
Single Fiber Mode : No
IfIndex : 69795840
Last State Change : 08/21/2012 21:47:08
Last Cleared Time : N/A
Phys State Chng Cnt: 7

Oper Speed : 1 Gbps
Config Speed : 1 Gbps
Oper Duplex : full
Config Duplex : full
MTU : 1518
Min Frame Length : 64 Bytes
Hold time up : 0 seconds
Hold time down : 0 seconds
DDM Events : Enabled

Configured Mode : access
Dot1Q Ethertype : 0x8100
PBB Ethertype : 0x88e7
Ing. Pool % Rate : 100
Ing. Pool Policy : n/a
Egr. Pool Policy : n/a
Net. Egr. Queue Pol: default
Egr. Sched. Pol : n/a
Auto-negotiate : true
Accounting Policy : None
Egress Rate : Default
Load-balance-algo : Default

Encap Type : 802.1q
QinQ Ethertype : 0x8100
Egr. Pool % Rate : 100

MDI/MDX : unknown
Collect-stats : Disabled
Ingress Rate : Default
LACP Tunnel : Disabled

Down-when-looped : Disabled
Loop Detected : False
Use Broadcast Addr : False

Keep-alive : 10
Retry : 120

Sync. Status Msg. : Disabled
Tx DUS/DNU : Disabled
SSM Code Type : sdh

Rx Quality Level : N/A
Tx Quality Level : N/A

Down On Int. Error : Disabled

CRC Mon SD Thresh : Disabled
CRC Mon SF Thresh : Disabled

CRC Mon Window : 10 seconds
```

## Interface Configuration

Configured Address : 00:03:fa:1b:bb:3f  
Hardware Address : 00:03:fa:1b:bb:3f

### Transceiver Data

Transceiver Type : SFP  
Model Number : 3HE00027AAAA02 ALA IPUIAELDAB  
TX Laser Wavelength: 850 nm Diag Capable : yes  
Connector Code : LC Vendor OUI : 00:90:65  
Manufacture date : 2008/09/25 Media : Ethernet  
Serial Number : PED38UH  
Part Number : FTRJ8519P2BNL-A5  
Optical Compliance : GIGE-SX  
Link Length support: 300m for OM2 50u MMF; 150m for OM1 62.5u MMF

### Transceiver Digital Diagnostic Monitoring (DDM), Internally Calibrated

|                            | Value | High Alarm | High Warn | Low Warn | Low Alarm |
|----------------------------|-------|------------|-----------|----------|-----------|
| Temperature (C)            | +25.9 | +95.0      | +90.0     | -20.0    | -25.0     |
| Supply Voltage (V)         | 3.32  | 3.90       | 3.70      | 2.90     | 2.70      |
| Tx Bias Current (mA)       | 8.1   | 17.0       | 14.0      | 2.0      | 1.0       |
| Tx Output Power (dBm)      | -4.49 | -2.00      | -2.00     | -11.02   | -11.74    |
| Rx Optical Power (avg dBm) | -5.16 | 1.00       | -1.00     | -18.01   | -20.00    |

### Traffic Statistics

|         | Input | Output |
|---------|-------|--------|
| Octets  | 0     | 0      |
| Packets | 0     | 0      |
| Errors  | 0     | 0      |

### Ethernet Statistics

|                  |   |                    |   |
|------------------|---|--------------------|---|
| Broadcast Pkts : | 0 | Drop Events :      | 0 |
| Multicast Pkts : | 0 | CRC/Align Errors : | 0 |
| Undersize Pkts : | 0 | Fragments :        | 0 |
| Oversize Pkts :  | 0 | Jabbers :          | 0 |
| Collisions :     | 0 |                    |   |

|                                  |   |
|----------------------------------|---|
| Octets :                         | 0 |
| Packets :                        | 0 |
| Packets of 64 Octets :           | 0 |
| Packets of 65 to 127 Octets :    | 0 |
| Packets of 128 to 255 Octets :   | 0 |
| Packets of 256 to 511 Octets :   | 0 |
| Packets of 512 to 1023 Octets :  | 0 |
| Packets of 1024 to 1518 Octets : | 0 |
| Packets of 1519 or more Octets : | 0 |

### Port Statistics

|                   | Input | Output |
|-------------------|-------|--------|
| Unicast Packets   | 0     | 0      |
| Multicast Packets | 0     | 0      |

## Port Show Commands

```
Broadcast Packets 0 0
Discards 0 0
Unknown Proto Discards 0
=====
Ethernet-like Medium Statistics
=====
Alignment Errors : 0 Sngl Collisions : 0
FCS Errors : 0 Mult Collisions : 0
SQE Test Errors : 0 Late Collisions : 0
CSE : 0 Excess Collisns : 0
Too long Frames : 0 Int MAC Tx Errs : 0
Symbol Errors : 0 Int MAC Rx Errs : 0
In Pause Frames : 0 Out Pause Frames : 0
=====
Per Threshold MDA Discard Statistics
=====
 Packets Octets

Threshold 0 Dropped : 0 0
Threshold 1 Dropped : 0 0
Threshold 2 Dropped : 0 0
Threshold 3 Dropped : 0 0
Threshold 4 Dropped : 0 0
Threshold 5 Dropped : 0 0
Threshold 6 Dropped : 0 0
Threshold 7 Dropped : 0 0
Threshold 8 Dropped : 0 0
Threshold 9 Dropped : 0 0
Threshold 10 Dropped : 0 0
Threshold 11 Dropped : 0 0
Threshold 12 Dropped : 0 0
Threshold 13 Dropped : 0 0
Threshold 14 Dropped : 0 0
Threshold 15 Dropped : 0 0
=====
B:PE-1#
```

## Sample Output

```
*A:sne# show port 1/1/4 vport statistics
=====
Port 1/1/4 Access Egress vport
=====
VPort Name : vpl
Description : (Not Specified)
Sched Policy : portschedpoll
Rate Limit : Max
Rate Modify : disabled
Modify delta : 0
Vport Queuing Statistics
```

```

Last Cleared Time : N/A
 Packets Octets
Forwarded: 0 0
Dropped : 0 0

Vport per Level Queueing Statistics
 Packets Octets
Level : 8
Forwarded: 0 0
Dropped : 0 0
Level : 7
Forwarded: 0 0
Dropped : 0 0
Level : 6
Forwarded: 0 0
Dropped : 0 0
Level : 5
Forwarded: 0 0
Dropped : 0 0
Level : 4
Forwarded: 0 0
Dropped : 0 0
Level : 3
Forwarded: 0 0
Dropped : 0 0
Level : 2
Forwarded: 0 0
Dropped : 0 0
Level : 1
Forwarded: 0 0
Dropped : 0 0

Host-Matches

Dest: dslaml

=====
*A:sne#

```

**Ethernet Output** — The following table describes the output fields.

| Label            | Description                                                                                                                                                                                                                                                                                                                                                                                                                                                                                                 |
|------------------|-------------------------------------------------------------------------------------------------------------------------------------------------------------------------------------------------------------------------------------------------------------------------------------------------------------------------------------------------------------------------------------------------------------------------------------------------------------------------------------------------------------|
| Broadcast Pckts  | The number of packets, delivered by this sub-layer to a higher (sub-) layer, which were addressed to a broadcast address at this sub-layer.<br>The total number of packets that higher-level protocols requested be transmitted, and which were addressed to a multicast address at this sub-layer, including those that were discarded or not sent.<br>For a MAC layer protocol, this includes both Group and Functional addresses.                                                                        |
| Multicast Pckets | The number of packets, delivered by this sub-layer to a higher (sub-) layer, which were addressed to a multicast address at this sub-layer. For a MAC layer protocol, this includes both Group and Functional addresses. The total number of packets that higher-level protocols requested be transmitted, and which were addressed to a multicast address at this sub-layer, including those that were discarded or not sent. For a MAC layer protocol, this includes both Group and Functional addresses. |
| Undersize Pckets | The total number of packets received that were less than 64 octets long (excluding framing bits, but including FCS octets) and were otherwise well formed.                                                                                                                                                                                                                                                                                                                                                  |
| Oversize Pckts   | The total number of packets received that were longer than can be accepted by the physical layer of that port (9900 octets excluding framing bits, but including FCS octets for GE ports) and were otherwise well formed.                                                                                                                                                                                                                                                                                   |
| Collisions       | The best estimate of the total number of collisions on this Ethernet segment.                                                                                                                                                                                                                                                                                                                                                                                                                               |
| Drop Events      | The total number of events in which packets were dropped by the probe due to lack of resources. Note that this number is not necessarily the number of packets dropped; it is just the number of times this condition has been detected.                                                                                                                                                                                                                                                                    |
| CRC Align Errors | The total number of packets received that had a length (excluding framing bits, but including FCS octets) of between 64 and 1518 octets, inclusive, but had either a bad Frame Check Sequence (FCS) with an integral number of octets (FCS Error) or a bad FCS with a non-integral number of octets (Alignment Error).                                                                                                                                                                                      |
| Fragments        | The total number of packets received that were less than 64 octets in length (excluding framing bits but including FCS octets) and had either a bad Frame Check Sequence (FCS) with an integral number of octets (FCS Error) or a bad FCS with a non-integral number of octets (Alignment Error).                                                                                                                                                                                                           |
| Jabbers          | The total number of packets received that were longer than 1518 octets (excluding framing bits, but including FCS octets), and had either a bad Frame Check Sequence (FCS) with an integral number of octets (FCS Error) or a bad FCS with a non-integral number of octets (Alignment Error).                                                                                                                                                                                                               |



| Label             | Description (Continued)                                                                                                                                          |
|-------------------|------------------------------------------------------------------------------------------------------------------------------------------------------------------|
| Ingress Pool Size | The amount of ingress buffer space, expressed as a percentage of the available buffer space that will be allocated to the port or channel for ingress buffering. |
| Octets            | The total number of octets received.                                                                                                                             |
| Packets           | The total number of packets received.                                                                                                                            |
| Packets to        | The number of packets received that were equal to or less than the displayed octet limit.                                                                        |

### Sample Output

```

=====
Ethernet Statistics
=====
Broadcast Pkts : 42621 Drop Events : 0
Multicast Pkts : 0 CRC/Align Errors : 0
Undersize Pkts : 0 Fragments : 0
Oversize Pkts : 0 Jabbers : 0
Collisions : 0

Octets : 2727744
Packets : 42621
Packets of 64 Octets : 42621
Packets of 65 to 127 Octets : 0
Packets of 128 to 255 Octets : 0
Packets of 256 to 511 Octets : 0
Packets of 512 to 1023 Octets : 0
Packets of 1024 to 1518 Octets : 0
Packets of 1519 or more Octets : 0
=====
Port Statistics
=====
 Input Output

Unicast Packets 0 0
Multicast Packets 0 0
Broadcast Packets 42621 0
Discards 0 0
Unknown Proto Discards 0
=====
...

```

**Ethernet-like Medium Statistics Output** — The following table describes Ethernet-like medium statistics output fields.

| Label            | Description                                                                                                                                                                                                                                                                                          |
|------------------|------------------------------------------------------------------------------------------------------------------------------------------------------------------------------------------------------------------------------------------------------------------------------------------------------|
| Alignment Errors | The total number of packets received that had a length (excluding framing bits, but including FCS octets) of between 64 and 1518 octets, inclusive, but had either a bad Frame Check Sequence (FCS) with an integral number of octets (FCS Error) or a bad FCS with a non-integral number of octets. |
| FCS Errors       | The number of frames received on a particular interface that are an integral number of octets in length but do not pass the FCS check.                                                                                                                                                               |
| SQE Errors       | The number of times that the SQE TEST ERROR is received on a particular interface.                                                                                                                                                                                                                   |
| CSE              | The number of times that the carrier sense condition was lost or never asserted when attempting to transmit a frame on a particular interface.                                                                                                                                                       |
| Too long Frames  | The number of frames received on a particular interface that exceed the maximum permitted frame size.                                                                                                                                                                                                |
| Symbol Errors    | For an interface operating at 100 Mb/s, the number of times there was an invalid data symbol when a valid carrier was present.                                                                                                                                                                       |
| Sngl Collisions  | The number of frames that are involved in a single collision, and are subsequently transmitted successfully.                                                                                                                                                                                         |
| Mult Collisions  | The number of frames that are involved in more than one collision and are subsequently transmitted successfully.                                                                                                                                                                                     |
| Late Collisions  | The number of times that a collision is detected on a particular interface later than one slotTime into the transmission of a packet.                                                                                                                                                                |
| Excess Collisns  | The number of frames for which transmission on a particular interface fails due to excessive collisions.                                                                                                                                                                                             |
| Int MAC Tx Errs  | The number of frames for which transmission on a particular interface fails due to an internal MAC sublayer transmit error,                                                                                                                                                                          |
| Int MAC Rx Errs  | The number of frames for which reception on a particular interface fails due to an internal MAC sublayer receive error.                                                                                                                                                                              |

**Sample Output**

```
A:ALA-48# show port 1/3/1 detail
=====
...
=====
Ethernet-like Medium Statistics
=====
```

## Interface Configuration

```

Alignment Errors : 0 Sngl Collisions : 0
FCS Errors : 0 Mult Collisions : 0
SQE Test Errors : 0 Late Collisions : 0
CSE : 0 Excess Collisns : 0
Too long Frames : 0 Int MAC Tx Errs : 0
Symbol Errors : 0 Int MAC Rx Errs : 0
Queue Statistics

```

```

=====
Ingress Queue 1 Packets Octets
 In Profile forwarded : 0 0
 In Profile dropped : 0 0
 Out Profile forwarded : 0 0
 Out Profile dropped : 0 0
Ingress Queue 2 Packets Octets
 In Profile forwarded : 0 0
 In Profile dropped : 0 0
 Out Profile forwarded : 0 0
 Out Profile dropped : 0 0
Ingress Queue 3 Packets Octets
 In Profile forwarded : 0 0
 In Profile dropped : 0 0
 Out Profile forwarded : 0 0
 Out Profile dropped : 0 0
Ingress Queue 4 Packets Octets
 In Profile forwarded : 0 0
 In Profile dropped : 0 0
 Out Profile forwarded : 0 0
 Out Profile dropped : 0 0
Ingress Queue 5 Packets Octets
 In Profile forwarded : 0 0
 In Profile dropped : 0 0
 Out Profile forwarded : 0 0
 Out Profile dropped : 0 0
Ingress Queue 6 Packets Octets
 In Profile forwarded : 0 0
 In Profile dropped : 0 0
 Out Profile forwarded : 0 0
 Out Profile dropped : 0 0
=====

```

### Per Threshold MDA Discard Statistics

```

=====

Packets Octets

Threshold 0 Dropped : 0 0
Threshold 1 Dropped : 0 0
Threshold 2 Dropped : 0 0
Threshold 3 Dropped : 0 0
Threshold 4 Dropped : 0 0
Threshold 5 Dropped : 0 0
Threshold 6 Dropped : 0 0
Threshold 7 Dropped : 0 0
Threshold 8 Dropped : 0 0
Threshold 9 Dropped : 0 0
Threshold 10 Dropped : 0 0
Threshold 11 Dropped : 0 0
Threshold 12 Dropped : 0 0

```

## Port Show Commands

```

Threshold 13 Dropped : 0
Threshold 14 Dropped : 0
Threshold 15 Dropped : 0

```

```

=====
A:ALA-48#

```

```

A:ALA-48# show port 1/2/1.sts192

```

```

=====
WAN Interface Sublayer Path Info

```

```

=====
Oper Status : up
Signal Label : 0x1a Rx Signal Label : 0x1a
Trace String : Alcatel 7750 SR
Rx Trace Str(Hex) : 89 00 00 00 00 00 00 00 00 00 00 00 00 00 00 00
Cfg Alarm : pais plop prdi pplm prei puneq plcd
Alarm Status :

```

```

=====
Port Statistics

```

```

=====
Output Input

Unicast Packets 367218143
5311
Multicast Packets 0
0
Broadcast Packets 0
0
Discards 0
0
Unknown Proto Discards 0

```

```

=====
A:ALA-48#

```

```

A:ALA-48# show port 1/2/1.sts192 detail

```

```

=====
WAN Interface Sublayer Path Info

```

```

=====
Oper Status : up
Signal Label : 0x1a Rx Signal Label : 0x1a
Trace String : Alcatel 7750 SR
Rx Trace Str(Hex) : 89 00 00 00 00 00 00 00 00 00 00 00 00 00 00 00
Cfg Alarm : pais plop prdi pplm prei puneq plcd
Alarm Status :

```

```

=====
Sonet Path

```

```

=====
Far End

ES-P 1 0
SES-P 1 0
UAS-P 0 0
CV-P 10 0

```

```

=====
Transmit:
LOP-P : 0

```

## Interface Configuration

```
Fifo Error : 96
Max Packet Error : 0
Min Packet Error : 0
LLP Packet Error : 0
FIFO Underflow Error : 0
```

### Receive:

```
LOP-P : 0
AIS-P : 1
RDI-P : 0
PLM-P : 0
LCD-P : 0
Unequipped : 0
Remote Error : 6
Parity Error : 10
Fifo Error : 0
Max Pkt Error : 0
Min Pkt Error : 0
FCS Error : 0
Packet Abort Error : 0
Addr Ctrl Invalid : 0
```

```
=====
Port Statistics
=====
```

```
Input
Output
```

```

Unicast Packets 369758853
5312
Multicast Packets 0
0
Broadcast Packets 0
0
Discards 0
0
Unknown Proto Discards 0
=====
```

```
A:ALA-48#
```

**Channelized Port Output** — The following table describes channelized port output fields.

| Label                        | Description                                                                                                                                                                                                                                                    |
|------------------------------|----------------------------------------------------------------------------------------------------------------------------------------------------------------------------------------------------------------------------------------------------------------|
| Description                  | A text description of the port.                                                                                                                                                                                                                                |
| Interface                    | The port ID displayed in the <i>slot/mda/port</i> format.                                                                                                                                                                                                      |
| TimeSlots                    | Specifies the DS0 timeslot used in the T1/E1 channel-group.                                                                                                                                                                                                    |
| Speed                        | Indicates the speed of the DS0 channels used in the associated channel-group.                                                                                                                                                                                  |
| CRC                          | Indicates the precision of the cyclic redundancy check.<br>16 — A 16-bit CRC calculation.<br>32 — A 32-bit CRC calculation. 32-bit CRC increases the error detection ability, but it also adds some performance overhead.                                      |
| Admin Status                 | Up — The port is administratively up.<br>Down — The administratively down.                                                                                                                                                                                     |
| Oper Status                  | Up — The port is operationally up.<br>Down — The port is operationally down.                                                                                                                                                                                   |
| Last State Change            | Displays the last time the operational status of the port changed state.                                                                                                                                                                                       |
| Chan-Grp IfIndex             | Displays the channel group's interface index number which reflects its initialization sequence.                                                                                                                                                                |
| Configured Mode              | network — The port is configured for transport network use.<br>access — The port is configured for service access. Channelized ports are always access ports.                                                                                                  |
| Encap Type                   | The type of encapsulation protocol configured on this port's network interface.<br>bcp-null — Indicates that BCP is used as the NCP control protocol.<br>dot1q — Indicates that ingress frames carry 802.1Q tags where each tag signifies a different service. |
| Oper MTU                     | The negotiated size of the largest packet which can be sent on the channel, specified in octets. For channels that are used to transmit network datagrams, this is the size of the largest network datagram that can be sent.                                  |
| Physical Link                | Indicates whether or not the port has a physical link.                                                                                                                                                                                                         |
| Unicast Packets Input/Output | The number of packets, delivered by this sub-layer to a higher (sub-) layer, which were not addressed to a multicast or broadcast address at this sub-layer.                                                                                                   |

## Sample Output

```
A:ALA-7# show port 7/1/1.ds0grp-1.1
=====
TDM DS0 Chan Group
=====
Description : DS3
Interface : 7/1/1.ds0grp-1.1
TimeSlots : 1
Speed : 64 CRC : 16
Admin Status : up Oper status : down
Last State Change : 2007/04/11 01:14:37 Chan-Grp IfIndex : 656441433

Configured mode : access Encap Type : bcp-null
Admin MTU : 1522 Oper MTU : 1522
Physical Link : No
=====
Port Statistics
=====
```

|                        | Input | Output |
|------------------------|-------|--------|
| Unicast Packets        | 0     | 0      |
| Multicast Packets      | 0     | 0      |
| Broadcast Packets      | 0     | 0      |
| Discards               | 0     | 0      |
| Unknown Proto Discards | 0     | 0      |

```
=====
A:ALA-7#
```

```
A:ALA-7# show port 7/1/1.ds0grp-1.1 detail
=====
TDM DS0 Chan Group
=====
Description : DS3
Interface : 7/1/1.ds0grp-1.1
TimeSlots : 1
Speed : 64 CRC : 16
Admin Status : up Oper status : down
Last State Change : 04/11/2007 01:14:37 Chan-Grp IfIndex : 656441433

Configured mode : access Encap Type : bcp-null
Admin MTU : 1522 Oper MTU : 1522
Physical Link : No
=====
Port Statistics
=====
```

|                        | Input | Output |
|------------------------|-------|--------|
| Unicast Packets        | 0     | 0      |
| Multicast Packets      | 0     | 0      |
| Broadcast Packets      | 0     | 0      |
| Discards               | 0     | 0      |
| Unknown Proto Discards | 0     | 0      |

```
=====
A:ALA-7#
```

## Port Show Commands

```
ALA-12# show port 7/1/1.1.1
=====
TDM DS0 Chan Group
=====
Description : DS0GRP
Interface : 3/1/1.1.1
TimeSlots : 1
Speed : 64
Admin Status : up
Last State Change : 04/11/2007 06:54:28
CRC : 16
Oper status : down
Chan-Grp IfIndex : 589332542

Configured mode : access
Admin MTU : 1518
Physical Link : No
Idle Cycle Flags : flags
Encap Type : bcp-null
Oper MTU : 1518
Bundle Number : none
Load-balance-algo : default
=====
Traffic Statistics
=====

Input Output

Octets 0 0
Packets 0 0
Errors 0 0
=====
Port Statistics
=====

Input Output

Packets 0 0
Discards 0 0
Unknown Proto Discards 0
=====
ALA-12#
A:ALA-48# show port 3/1/3.e3
=====
TDM Interface
=====
Description : E3
Interface : 3/1/3.e3
Type : e3
Admin Status : up
Physical Link : No
Last State Change : 04/11/2007 06:54:28
Framing : g751
Oper status : down
Clock Source : loop-timed
Port IfIndex : 589398019

Configured mode : access
Admin MTU : 1518
CRC : 16
Idle Cycle Flags : flags
FEAC Loop Respond : Disabled
BERT Pattern : none
Err Insertion Rate : 0
BERT Status : idle
Encap Type : bcp-null
Oper MTU : 1518
Channelized : none
Loopback : none
In FEAC Loop : No
BERT Duration : N/A
Last BERT Synched : 0 Seconds
Last BERT Errors : 0
Last BERT Total Bits : 0

Cfg Alarm : ais los
Alarm Status :
Subrate Mode : none

MDL Transmit : none

```



```
Local MDL Information

EIC : LIC :
FIC : Unit :
PFI :
Idle Signal Port :
Test Signal Gen :
```

```
Far End MDL Information

EIC : LIC :
FIC : Unit :
PFI :
Idle Signal Port :
Test Signal Gen :
```

```
=====
Traffic Statistics
=====
```

|         | Input | Output |
|---------|-------|--------|
| Octets  | 0     | 0      |
| Packets | 0     | 0      |
| Errors  | 0     | 0      |

```
=====
Port Statistics
=====
```

|                        | Input | Output |
|------------------------|-------|--------|
| Packets                | 0     | 0      |
| Discards               | 0     | 0      |
| Unknown Proto Discards | 0     | 0      |

A:ALA-48#  
**Port Associations Output** — The following table describes port associations output fields.

| Label       | Description                                                             |
|-------------|-------------------------------------------------------------------------|
| Svc ID      | The service identifier.                                                 |
| Name        | The name of the IP interface.                                           |
| Encap Value | The dot1q or qinq encapsulation value on the port for this IP interface |

**Sample Output**

```
A:ALA-1# show port 1/1/6 associations
=====
Interface Table
=====
```

| Router/ServiceId | Name   | Encap Val |
|------------------|--------|-----------|
| Router: Base     | if1000 | 1000      |
| Router: Base     | if2000 | 2000      |

```

Interfaces
=====
```

## Port Show Commands

A:ALA-1#

**Port Frame Relay Output** — The following table describes port Frame Relay output fields.

| Label               | Description                                                                                                                                                                                    |
|---------------------|------------------------------------------------------------------------------------------------------------------------------------------------------------------------------------------------|
| Mode                | Displays the mode of the interface. It can be set as Data terminal equipment (dte) or Data circuit-terminating equipment (DCE).                                                                |
| LMI Type            | Displays the LMI type.                                                                                                                                                                         |
| FR Interface Status | Displays the status of the Frame Relay interface as determined by the performance of the dlcmi. If no DLCMI is running, the Frame Relay interface will stay in the running state indefinitely. |

### Sample Output

```
A:ALA-49>config>port# show port 8/1/2 frame-relay
=====
Frame Relay Info for 8/1/2
=====
Mode : dte LMI Type : itu
FR Interface Status : fault
N391 DTE : 6 N392 DCE : 3
N392 DTE : 3 N393 DCE : 4
N393 DTE : 4 T392 DCE : 15
T391 DTE : 10
Tx Status Enquiry : 0 Rx Status Enquiry : 0
Rx Status Messages : 0 Tx Status Messages : 0
Status Message Timeouts : 0 Status Enquiry Timeouts : 0
Discarded Messages : 0 Inv. RxSeqNum Messages : 0
=====
A:ALA-49>config>port#
```

**OTU Output** — The following table describes the OTU output fields.

| Label      | Description                                                                                                                                                                                                                                                                                                                                                                               |
|------------|-------------------------------------------------------------------------------------------------------------------------------------------------------------------------------------------------------------------------------------------------------------------------------------------------------------------------------------------------------------------------------------------|
| OTU Status | Status of the OTU (Optical Transport Unit): enabled or disabled. When OTU is enabled, an additional layer of framing encapsulates an MDA's natively programmed mode of operation, 10-Gigabit Ethernet LAN or WAN, adding SONET-Like Framing with FEC (Forward Error Correction). When OTU is disabled, the MDA operates in a 10-Gigabit Ethernet LAN or WAN as per Ethernet provisioning. |

| Label                       | Description (Continued)                                                                                                                                                                                                                                                                                                                                                                                                                                                                                                                                                                                                                  |
|-----------------------------|------------------------------------------------------------------------------------------------------------------------------------------------------------------------------------------------------------------------------------------------------------------------------------------------------------------------------------------------------------------------------------------------------------------------------------------------------------------------------------------------------------------------------------------------------------------------------------------------------------------------------------------|
| FEC Mode                    | Type of FEC (Forward Error Correction) in effect: g709, enhanced or disabled. When g709 is selected, the standard FEC method is used. When enhanced is selected, a proprietary FEC algorithm is used that extends optical reach in long haul applications. When disabled the bytes that are reserved for FEC in the OTU frame are transmitted as zeros and the FEC decoder is bypassed, but OTU framing is still in effect.                                                                                                                                                                                                              |
| Data Rate                   | This indicates the data rate at which the port is operating. When OTU is encapsulating 10-Gigabit Ethernet WAN, the data rate is 10.709 Gb/s, the G.709 standard OTU2 data rate. When OTU is encapsulating 10-Gigabit Ethernet LAN, the data rate is either 11.049 Gb/s or 11.096 Gb/s, depending on the otu2-lan-data-rate configuration parameter of the port's OTU parameters. These data rates (11.049 Gb/s and 11.096 Gb/s) are considered OTU2e data rates that are non-standard or over-clocked with respect to G.709, but have become widely used in optical networking to transport unaltered 10-Gigabit Ethernet LAN payloads. |
| Cfg Alarms and Alarm Status | This indicates the alarms that shall be reported when raised or cleared. Alarms that are not in this list will not be reported when they are raised or cleared but will appear in the Alarm Status.                                                                                                                                                                                                                                                                                                                                                                                                                                      |
| SF/SD Method                | This indicates the selected method for declaring the SF (Signal Fail) or SD (Signal Degrade) alarm. When BIP8 is selected, the error rate of SM-BIP8 errors in the OTU frames is used to declare SF or SD (This is very similar to SONET SF/SD which uses a rate of B2 errors). When FEC is selected, the rate of corrected bits is used to declare SF or SD. This effectively indicates that the link would be degraded (SD) or failed (SF) if FEC was disabled and gives the user an early warning that the link is degrading or is about to fail.                                                                                     |
| SF Threshold                | This is the configured error rate threshold at which the SF (Signal Fail) alarm will be raised.                                                                                                                                                                                                                                                                                                                                                                                                                                                                                                                                          |
| SD Threshold                | This is the configured error rate threshold at which the SD (Signal Degrade) alarm will be raised.                                                                                                                                                                                                                                                                                                                                                                                                                                                                                                                                       |
| SM-TTI Tx<br>( <mode> )     | This is the configured SM-TTI (Section Monitor Trail Trace Identifier) to be transmitted by this port in the OTU overhead bytes. The modes are auto, string, or bytes. In the auto and string modes, a printable character string will be displayed. In bytes mode, up to 64 hex bytes will be displayed                                                                                                                                                                                                                                                                                                                                 |
| SM-TTI Rx                   | This is the SM-TTI (Section Monitor Trail Trace Identifier received by this port. When the received TTI is a printable string of characters, it will be displayed as a text string. When the received TTI contains one or more non-printable characters, it will be displayed at a sequence of 64 hex bytes. When the received TTI is all zeros, the string "Not Specified" will be displayed.                                                                                                                                                                                                                                           |
| FEC Corrected 0s            | Displays the number of bits that were received as 0s but corrected to 1s.                                                                                                                                                                                                                                                                                                                                                                                                                                                                                                                                                                |
| FEC Corrected 1s            | Number of bits that were received as 1s but corrected to 0s.                                                                                                                                                                                                                                                                                                                                                                                                                                                                                                                                                                             |

## Port Show Commands

| Label                      | Description (Continued)                                                                                                |
|----------------------------|------------------------------------------------------------------------------------------------------------------------|
| FEC Uncorrectable Sub-Rows | The number of sub-rows that were not corrected because too many errors were detected.                                  |
| FEC SES                    | The number of severely errored seconds where the number of uncorrectable sub-rows was greater than 15% of the maximum. |
| SM BIP8                    | The number of detected BIP-8 errors in the section monitor overhead.                                                   |
| SM BEI                     | The number of backward error indications received from the far end in the section monitor overhead.                    |
| SM SES                     | Section monitor severely errored seconds where the number of SM-BIP8 was greater than 15% of the maximum.              |
| PM BIP8                    | The number of detected BIP-8 errors in the section monitor overhead.                                                   |
| PM BEI                     | The number of backward error indications received from the far end in the section monitor overhead.                    |
| PM SES                     | Section monitor severely errored seconds where the number of SM-BIP8 was greater than 15% of the maximum.              |

### Sample Output

```
A:ALA-49>config>port# show port 3/2/1 otu detail
=====
OTU Interface
=====
OTU Status : Enabled FEC Mode : enhanced
 : Data Rate : 11.049 Gb/s
Cfg Alarms : loc los lof lom otu-ber-sf otu-bdi fec-sf
Alarm Status :
SF/SD Method : FEC SF Threshold : 1E-5
 : SD Threshold : 1E-7

SM-TTI Tx (auto) : ALA-49:3/2/1/C17
SM-TTI Rx : (Not Specified)
=====
OTU Statistics
=====
Statistics Count

FEC Corrected 0s 0
FEC Corrected 1s 0
FEC Unrectable Sub-rows 0
FEC SES 0
SM BIP8 0
SM BEI 0
PM SES 0
PM BIP8 0
PM BEI 0
PM SES 0
=====
```

**Port PPP Output** — The following table describes port PPP output fields.

| Label               | Description                                                                                                                                                                                                                                                                                                                              |
|---------------------|------------------------------------------------------------------------------------------------------------------------------------------------------------------------------------------------------------------------------------------------------------------------------------------------------------------------------------------|
| Protocol            | Displays the applicable protocols for the specified port.                                                                                                                                                                                                                                                                                |
| State               | Displays the current status of a PPP link. Values include initial, starting, closed, stopped, closing, stopping, requestSent, ackReceived, ackSent, opened.                                                                                                                                                                              |
| Last Change         | Displays the last time the PPP link state changed.                                                                                                                                                                                                                                                                                       |
| Restart Count       | Displays the number of times that this Control Protocol has reached the 'open' state.                                                                                                                                                                                                                                                    |
| Last Cleared        | Displays the date and time the restart count was set to zero.                                                                                                                                                                                                                                                                            |
| Local IP address    | Displays the IP address assigned the local end of the PPP link.                                                                                                                                                                                                                                                                          |
| Remote IP address   | Displays the IP address of the remote end of the PPP link.                                                                                                                                                                                                                                                                               |
| Local Mac address   | Displays the MAC address assigned the local end of the PPP link.                                                                                                                                                                                                                                                                         |
| Remote Mac address  | The Ethernet MAC address sent by the remote end of the PPP link.                                                                                                                                                                                                                                                                         |
| Local Magic Number  | Displays the local magic number to be sent to the peer. The magic number provides a method to detect loopbacks. If the value of the local magic number is the same as the value of remote magic number, then it is possible that the link might be looped back. If the two magic numbers do not match, then the link is not looped back. |
| Remote Magic Number | Displays the magic number sent by the peer. If the value of remote magic number is the same as the value of the local magic number, then it is possible that the link might be looped back. If the two magic numbers do not match, then the link is not looped back.                                                                     |
| Line Monitor Method | The type of line monitoring packets being sent and received on this PPP link.                                                                                                                                                                                                                                                            |
| Request Interval    | The time interval in seconds at which keepalive requests are issued.                                                                                                                                                                                                                                                                     |
| Threshold exceeded  | Displays the number of times that the drop count was reached.                                                                                                                                                                                                                                                                            |
| Drop Count          | Displays the number of keepalive or LQR messages that were missed before the line was brought down.                                                                                                                                                                                                                                      |
| In Packets          | Displays the number of echo-reply packets received.                                                                                                                                                                                                                                                                                      |
| Time to link drop   | Displays the time remaining before the link will be declared dropped if a keepalive echo reply packet is not received.                                                                                                                                                                                                                   |

## Port Show Commands

| Label             | Description (Continued)                                                        |
|-------------------|--------------------------------------------------------------------------------|
| Out packets       | Displays the number of echo-request packets sent.                              |
| Last cleared time | Displays the time since the last clear.                                        |
| ACFC              | Indicates whether Address and Control Field PPP Header Compression is enabled. |
| PFC               | Indicates whether Protocol Field PPP Header Compression is enabled.            |

### Sample Output

```
A:SR-007# show port 1/1/1.1.1.1 ppp
=====
PPP Protocols for 1/1/1.1.1.1
=====
Protocol State Last Change Restart Count Last Cleared

lcp opened 03/28/2007 13:06:28 7 03/28/2007 12:12:11
ipcp initial 03/28/2007 11:39:45 0 03/28/2007 12:12:11
mplscp initial 03/28/2007 11:39:45 0 03/28/2007 12:12:11
bcp initial 03/28/2007 11:39:45 0 03/28/2007 12:12:11
osicp opened 03/28/2007 13:06:28 12 03/28/2007 12:12:11
ipv6cp opened 03/28/2007 13:06:28 7 03/28/2007 12:12:11
=====
PPP Statistics
=====
Local Mac address : 00:03:fa:0e:76:e2 Remote Mac address : 00:00:00:00:00:00
Local Magic Number : 0x7e9a9 Remote Magic Number: 0x7e18b
Local IPv4 address : 0.0.0.0 Remote IPv4 address: 0.0.0.0
Local IPv6 address : FE80::203:FAFF:FE81:5888
Remote IPv6 address: FE80::203:FAFF:FE1A:7EE2
Line Monitor Method: keepalive
Keepalive statistics
Request interval : 10 Threshold exceeded : 0
Drop Count : 3 In packets : 332
Time to link drop : 00h00m30s Out packets : 332
Last cleared time : 03/28/2007 12:12:11
=====
A:SR-007#
```

```
A:SR-007# show port 1/1/3 ppp detail
=====
PPP Protocols for 1/1/3.sts12
=====
Protocol State Last Change Restart Count Last Cleared

lcp initial 04/11/2007 10:56:11 0 04/11/2007 10:56:11
ipcp initial 04/11/2007 10:56:11 0 04/11/2007 10:56:11
mplscp initial 04/11/2007 10:56:11 0 04/11/2007 10:56:11
bcp initial 04/11/2007 10:56:11 0 04/11/2007 10:56:11
osicp initial 04/11/2007 10:56:11 0 04/11/2007 10:56:11
```

```

=====
PPP Statistics
=====
Local IP address : 0.0.0.0 Remote IP address : 0.0.0.0
Local Mac address : 00:00:00:00:00:00 Remote Mac address : 00:00:00:00:00:00
Local Magic Number : 0x0 Remote Magic Number: 0x0
Line Monitor Method: keepalive
Keepalive statistics
Request interval : 10 Threshold exceeded : 0
Drop Count : 3 In packets : 0
Time to link drop : 00h00m30s Out packets : 0
Last cleared time : 04/11/2007 10:56:11
=====
A:SR-007#

*A:Performance# show port 1/1/4 detail
=====
...
Transceiver Digital Diagnostics Monitoring
=====
 Value HighAlarm High Warn Low Warn Low Alarm

Temperature (C) +128 YES +85 YES +70 NO -5 NO -15
Supply Voltage (V) 6.55 YES 6.00 YES 4.50 NO 3.0 NO 1.0
Tx Bias Current (mA) 100 NO 128 NO 110 YES 50 NO 30
Tx Output Power (dBm) -40.0 NO +8.0 NO +5.0 YES -10.0 YES -30.0
Rx Optical Power (dBm - yyy) N/A NO +8.0 NO +5.0 NO -10.0 NO -30.0
=====
...
*A:Performance#

```

The following output displays an example of a PPP link inside a multilink-bundle group:

```

*A:top_SR7# show port 3/1/4.1.2.3.1 ppp
=====
LCP Protocol for 3/1/4.1.2.3.1
=====
Protocol State Last Change Restart Count Last Cleared

lcp opened 05/22/2008 07:46:18 1 05/22/2008 06:28:48
=====
Keepalive statistics

Request interval : 4 Threshold exceeded : 0
Drop Count : 3 In packets : 46404
Time to link drop : 00h00m12s Out packets : 46404
Last cleared time : 05/22/2008 06:28:48

PPP Header Compression
 ACFC : Enabled PFC : Enabled
=====
*A:top_SR7#

```

The following output displays an example of a standalone PPP link:

```

*A:top_SR7# show port 3/1/4.1.2.3.1 ppp
=====

```

## Port Show Commands

```

PPP Protocols for 3/1/4.1.2.3.1
=====
Protocol State Last Change Restart Count Last Cleared

lcp initial 05/24/2008 11:25:23 1 05/22/2008 06:28:48
ipcp initial 05/22/2008 06:28:48 0 05/22/2008 06:28:48
mplscp initial 05/22/2008 06:28:48 0 05/22/2008 06:28:48
bcp initial 05/22/2008 06:28:48 0 05/22/2008 06:28:48
osicp initial 05/22/2008 06:28:48 0 05/22/2008 06:28:48
ipv6cp initial 05/22/2008 06:28:48 0 05/22/2008 06:28:48
=====
PPP Statistics
=====
Local Mac address : 00:16:4d:8f:d3:57 Remote Mac address :
Local Magic Number : 0x0 Remote Magic Number: 0x0
Local IPv4 address : 0.0.0.0 Remote IPv4 address: 0.0.0.0
Local IPv6 address : ::
Remote IPv6 address: ::

Line Monitor Method: keepalive

Keepalive statistics

Request interval : 4 Threshold exceeded : 0
Drop Count : 3 In packets : 46418
Time to link drop : 00h00m12s Out packets : 46418
Last cleared time : 05/22/2008 06:28:48

PPP Header Compression
 ACFC : Enabled PFC : Enabled
=====
*A:top_SR7#

```

**ATM Output** — The following table describes ATM output fields.

| Label                 | Description                                                                                                                                                                                                                                  |
|-----------------------|----------------------------------------------------------------------------------------------------------------------------------------------------------------------------------------------------------------------------------------------|
| Cell Mode             | Displays the cell format (UNI or NNI) that is used on the ATM interface.                                                                                                                                                                     |
| Configured VCs        | Displays the number of configured VCs.                                                                                                                                                                                                       |
| Max Supported VCs     | Indicates the maximum number of ATM VPCs that can be configured on this MDA.                                                                                                                                                                 |
| Interface Oper Status | Indicates the status of the ATM interface. If the SONET-PATH layer and TC sublayer are operationally up, the ATM Interface is considered up. If the SONET-PATH layer and/or TC SubLayer is down, the ATM Interface is set to lowerLayerDown. |
| Number OCD Events     | Displays the number of times the Out of Cell Delineation (OCD) events occurred                                                                                                                                                               |



| Label                | Description (Continued)                                                                                                                                                                                                                                                              |
|----------------------|--------------------------------------------------------------------------------------------------------------------------------------------------------------------------------------------------------------------------------------------------------------------------------------|
| TC Alarm State       | Displays notifications that are generated when the ATM interface indicates that the TC sublayer is currently in the Loss of Cell Delineation (LCD) defect maintenance state or when the TC sublayer is currently not in the Loss of Cell Delineation (LCD) defect maintenance state. |
| Last Unknown VPI/VCI | Indicates the last unknown VPI/VCI that was received on this interface.                                                                                                                                                                                                              |
| Ingress CBR          | Indicates the total CBR bandwidth consumed on this interface in the ingress direction.                                                                                                                                                                                               |
| Egress CBR           | Indicates the total CBR bandwidth consumed on this interface in the egress direction.                                                                                                                                                                                                |
| Ingress RT-VBR       | Indicates the total real-time variable bit rate (rt-VBR) bandwidth consumed on this interface in the ingress direction.                                                                                                                                                              |
| Egress RT-VBR        | Indicates the total real-time variable bit rate (rt-VBR) bandwidth consumed on this interface in the egress direction.                                                                                                                                                               |
| Ingress NRT-VBR      | Indicates the total non-real-time variable bit rate (nrt-VBR) bandwidth consumed on this interface in the ingress direction.                                                                                                                                                         |
| Egress NRT-VBR       | Indicates the total non-real-time variable bit rate (nrt-VBR) bandwidth consumed on this interface in the egress direction.                                                                                                                                                          |
| Ingress UBR          | Indicates the total unspecified bit rate (UBR) bandwidth consumed on this interface in the ingress direction.                                                                                                                                                                        |
| Egress UBR           | Indicates the total unspecified bit rate (UBR) bandwidth consumed on this interface in the egress direction.                                                                                                                                                                         |
| Ingress Total        | Indicates the number of valid ATM cells received by the ATM interface including both CLP=0 and CLP=1 cells. If traffic policing is implemented, then cells are counted prior to the application of traffic policing.                                                                 |
| ATM Link Bandwidth   | Indicates the total ATM link bandwidth accepted on this interface.                                                                                                                                                                                                                   |
| Shaped Bandwidth     | Indicates the total shaped bandwidth consumed on this interface in the egress direction.                                                                                                                                                                                             |
| HEC Errors (Dropped) | Indicates the number of cells with uncorrectable HEC errors on this interface.                                                                                                                                                                                                       |
| HEC Errors (Fixed)   | Indicates the number of fixed HEC errors on this interface.                                                                                                                                                                                                                          |

### Sample Output

## Port Show Commands

```

A:ALA-2934 show mda 7/2 detail (ATM MDA)
=====
MDA 7/2 detail
=====
Slot Mda Provisioned Equipped Admin Operational
 Mda-type Mda-type State State

 7 2 m4-atmoc12/3-sfp m4-atmoc12/3-sfp up up
MDA Specific Data
 Maximum port count : 4
 Number of ports equipped : 4
 Transmit timing selected : CPM Card B
 Sync interface timing status : Qualified
 Network ingress queue policy : default
 Capabilities : Sonet, ATM
 Min channel size : Sonet STS-12
 Max channel size : Sonet STS-12
 Max number of channels : 4
 Channels in use : 0
Hardware Data
 Part number : 3HE00071AAAB01
 CLEI code : IPPAAAYBAA
 Serial number : NS051310104
 Manufacture date : 03292005
 Manufacturing string :
 Manufacturing deviations :
 Administrative state : up
 Operational state : up
 Temperature : 32C
 Temperature threshold : 75C
 Time of last boot : 2007/08/23 13:46:57
 Current alarm state : alarm cleared
 Base MAC address : 00:03:fa:4a:34:90
=====
A:ALA-2934#
ALA-1# show port 9/1/2 atm
=====
ATM Info for 9/1/2
=====
Cell Mode : UNI
Configured VCs : 1 Max Supported VCs : 2000
Interface Oper Status : lower layer down Number OCD Events : 0
TC Alarm State : LCD Failure
Last Unknown VPI/VCI : none
=====
ATM Bandwidth Info
=====
 kbps % kbps %

Ingress CBR : 0 0% Egress CBR : 0 0%
Ingress RT-VBR : 0 0% Egress RT-VBR : 0 0%
Ingress NRT-VBR : 4000 1% Egress NRT-VBR : 0 0%
Ingress UBR : 0 0% Egress UBR : 0 0%

Ingress Total : 4000 1% Egress Total : 0 0%
ATM Link Bandwidth : 599041 kbps
Shaped Bandwidth : 0 kbps
=====
ALA-1#

```

```

*A:ALA-48# show port 3/2/1 atm detail
=====
ATM Info for 3/2/1
=====
Cell Mode : UNI Mapping : Direct
Configured VCs : 0 Configured VPs : 0
Configured VTs : 0 Configured IFCs : 0
Configured minimum VPI: 0
Last Unknown VPI/VCI : none
=====
TC Sublayer Information
=====
TC Alarm State : LCD Failure Number OCD Events : 0
HEC Errors (Dropped) : 0 HEC Errors (Fixed) : 0
=====
ATM Bandwidth Info
=====
 kbps % kbps %

Ingress CBR : 0 0% Egress CBR : 0 0%
Ingress RT-VBR : 0 0% Egress RT-VBR : 0 0%
Ingress NRT-VBR : 0 0% Egress NRT-VBR : 0 0%
Ingress UBR : 0 0% Egress UBR : 0 0%

Ingress Total : 0 0% Egress Total : 0 0%
ATM Link Bandwidth : 599041 kbps
Shaped Bandwidth : 0 kbps
=====
ATM Statistics
=====
 Input Output

Octets 0 0
Cells 0 0
Unknown VPI/VCI Cells 0
=====
AAL-5 Packet Statistics
=====
 Input Output

Packets 0 0
Dropped Packets 0 0
CRC-32 Errors 0
=====
*A:ALA-48#
B:Dut-D# show port 2/2/1.1.1.1 atm
=====
ATM Info for 2/2/1.1.1.1
=====
Cell Mode : UNI Mapping : Direct
Configured VCs : 16 Configured VPs : 0
Configured VTs : 0 Configured IFCs : 0
Configured minimum VPI: 0
Last Unknown VPI/VCI : none
=====
TC Sublayer Information
=====

```

## Port Show Commands

```

TC Alarm State : No Alarm Number OCD Events : 0
HEC Errors (Dropped) : 0 HEC Errors (Fixed) : 0
=====
ATM Bandwidth Info
=====
 kbps % kbps %

Ingress CBR : 0 0% Egress CBR : 0 0%
Ingress RT-VBR : 0 0% Egress RT-VBR : 0 0%
Ingress NRT-VBR : 0 0% Egress NRT-VBR : 0 0%
Ingress UBR : 0 0% Egress UBR : 0 0%

Ingress Total : 0 0% Egress Total : 0 0%
ATM Link Bandwidth : 1920 kbps
Shaped Bandwidth : 0 kbps
=====
B:Dut-D#

B:Dut-D# show port 2/2/1.1.1.1 atm detail
=====
ATM Info for 2/2/1.1.1.1
=====
Cell Mode : UNI Mapping : Direct
Configured VCs : 16 Configured VPs : 0
Configured VTs : 0 Configured IFCs : 0
Configured minimum VPI: 0
Last Unknown VPI/VCI : none
=====
TC Sublayer Information
=====
TC Alarm State : No Alarm Number OCD Events : 0
HEC Errors (Dropped) : 0 HEC Errors (Fixed) : 0
=====
ATM Bandwidth Info
=====
 kbps % kbps %

Ingress CBR : 0 0% Egress CBR : 0 0%
Ingress RT-VBR : 0 0% Egress RT-VBR : 0 0%
Ingress NRT-VBR : 0 0% Egress NRT-VBR : 0 0%
Ingress UBR : 0 0% Egress UBR : 0 0%

Ingress Total : 0 0% Egress Total : 0 0%
ATM Link Bandwidth : 1920 kbps
Shaped Bandwidth : 0 kbps
=====
ATM Statistics
=====
 Input Output

Octets 228425945553 228453511542
Cells 4309923501 4310443614
Unknown VPI/VCI Cells 4294967295
=====
AAL-5 Packet Statistics
=====
 Input Output

```

## Interface Configuration

```

Packets 4302445396 4302705455
Dropped Packets 0 0
CRC-32 Errors 0
=====

```

A:timetra-siml10#

B:Dut-D# show port 2/1/1 atm connections

=====

ATM Connections, Port 2/1/1

```

=====
 Owner Type Ing.TD Egr.TD Adm OAM Opr

cp.1 SAP CP 1 1 up up up
10/10 SAP PVC 1 1 up up up
10/11 SAP PVC 1 1 up up up
20/20 SAP PVC 1 1 up up up
=====

```

B:Dut-D#

A:SR12# show port 3/1/1 atm cp

=====

ATM CPs, Port 3/1/1

```

=====
CP Owner Type Ing.TD Egr.TD Adm OAM Opr

5 SAP CP 1 1
9 SAP CP 1 1
=====

```

A:SR12#

A:SR12# show port 3/1/1 atm cp detail

=====

ATM CP, Port 3/1/1

```

=====
CP Owner Type Ing.TD Egr.TD Adm OAM Opr

5 SAP CP 1 1
=====

```

ATM CP Statistics

```

=====
Input Output

Octets 284958830153 15950085
Cells 5376581701 300945
Dropped CLP=0 Cells 90 200
Dropped Cells (CLP=0+1) 290
Tagged Cells 780
=====

```

ATM CP, Port 3/1/1

```

=====
CP Owner Type Ing.TD Egr.TD Adm OAM Opr

9 SAP CP 1 1
=====

```

## Port Show Commands

```
ATM CP Statistics
=====
Input Output

Octets 284958830153 15950085
Cells 5376581701 300945
Dropped CLP=0 Cells 90 200
Dropped Cells (CLP=0+1) 290
Tagged Cells 780
=====
A:SR12#
```

```
A:SR12# show port 3/1/1 atm cp 9
=====
ATM CP
=====
Port Id : 3/1/1 CP : 9
Owner : SAP Endpoint Type : CP
Ing. Td Idx : 1 Egr. Td Idx : 1
=====
A:SR12#
```

```
A:SR12# show port 3/1/1 atm cp 9 detail
=====
ATM CP
=====
Port Id : 3/1/1 CP : 9
Owner : SAP Endpoint Type : CP
Ing. Td Idx : 1 Egr. Td Idx : 1
=====
ATM CP Statistics
=====
Input Output

Octets 284958830153 15950085
Cells 5376581701 300945
Dropped CLP=0 Cells 90 200
Dropped Cells (CLP=0+1) 290
Tagged Cells 780
=====
A:SR12#
```

```
B:Dut-D# show connection-profile
=====
Connection Profile Summary Information
=====
CP Index Number of
 Members

1 3
=====
B:Dut-D#
```

```
B:Dut-D# show connection-profile 1
```

```
=====
Connection Profile 1 Information
=====
Description : My Connection Profile
Last Change : 09/11/2010 13:37:32

VPI/VCI

10/10
10/11
20/20
=====
B:Dut-D#
```

**Output Port ATM PVC VP/VCi Output** — The following table describes port ATM PVC VPI/VCi output fields.

| Label              | Description                                                                                                                                                                                                                                     |
|--------------------|-------------------------------------------------------------------------------------------------------------------------------------------------------------------------------------------------------------------------------------------------|
| Port Id            | The port ID configured or displayed in the <i>slot/mda/port</i> format.                                                                                                                                                                         |
| VPI/VCi            | Displays the VPI/VCi values.                                                                                                                                                                                                                    |
| Admin State        | Displays the administrative state of the interface connection.                                                                                                                                                                                  |
| Oper State         | Indicates the status of the ATM interface.                                                                                                                                                                                                      |
| OAM State          | Indicates the OAM operational status of ATM connections.<br>ETE indicates end-to-end connection.<br>AIS denotes alarm indication signal.<br>RDI denotes for remote defect indication.<br>LOC indicates the alarm was due to loss of continuity. |
| Encap Type         | Indicates the encapsulation type.                                                                                                                                                                                                               |
| Owner              | Identifies the system entity that owns a specific ATM connection.                                                                                                                                                                               |
| Type               | Indicates the connection type.                                                                                                                                                                                                                  |
| Ing. TD            | Specifies the ATM traffic descriptor profile that applies to the receive direction of the interface connection.                                                                                                                                 |
| Egr. TD            | Specifies the ATM traffic descriptor profile that applies to the transmit direction of the interface connection.                                                                                                                                |
| ILMI Vpi/Vci Range | On links that have ILMI enabled <b>ok</b> displays only if the VPI/VCi falls within the ILMI links valid range for a connection.<br>If n/a displays, then ILMI is not available to check.                                                       |
| Adm                | Displays the administrative state of the interface connection.                                                                                                                                                                                  |
| OAM                | Indicates the OAM operational status of ATM connections.<br>ETE indicates end-to-end connection.<br>AIS denotes alarm indication signal.<br>RDI denotes for remote defect indication.<br>LOC indicates the alarm was due to loss of continuity. |

**Sample Output**

```
ALA-1# show port 9/1/2 atm pvc
=====
ATM Endpoints, Port 9/1/2
=====
VPI/VCi Owner Type Ing.TD Egr.TD Adm OAM Opr

0/500 SAP PVC 5 3 up ETE-AIS dn
=====
ALA-1#
```



```

*A:bksim2801# show port 1/1/1 atm pvc 2/102 detail
=====
ATM PVC
=====
Port Id : 1/1/1 VPI/VCI : 2/102
Admin State : up Oper state : down
OAM State : ETE-AIS Encap Type : n/a
Owner : SAP AAL Type : n/a
Endpoint Type : PVC Cast Type : P2P
Ing. Td Idx : 1 Egr. Td Idx : 1
Last Changed : 09/09/2010 08:02:44 ILMI Vpi/Vci Range : n/a
=====
ATM Statistics
=====
Input Output

Octets 0 0
Cells 0 0
CLP=0 Cells 0 0
Dropped CLP=0 Cells 0 0
Dropped Cells (CLP=0+1) 0
Tagged Cells 0
=====
ATM OAM Statistics
=====
Input Output

AIS 0 0
RDI 0 0
Loopback 0 0
CRC-10 Errors 0
Other 0
=====
*A:bksim2801#

```

```

A:ALA-228#
=====
ATM PVC
=====
Port Id : 3/1/4.1.1.1 VPI/VCI : 0/100
Admin State : up Oper state : down
OAM State : ETE-AIS Encap Type : n/a
Owner : SAP AAL Type : n/a
Endpoint Type : PVC Cast Type : P2P
Ing. Td Idx : 1 Egr. Td Idx : 1
Last Changed : 02/26/2007 14:16:29 ILMI Vpi/Vci Range : n/a
=====
A:ALA-228#

```

**Output**    **Port ATM PVC Detail Output** — The following table describes port ATM PVC detail output fields.

| Label           | Description                                                                                                                                                                                                                                     |
|-----------------|-------------------------------------------------------------------------------------------------------------------------------------------------------------------------------------------------------------------------------------------------|
| Port Id         | The port ID configured or displayed in the <i>slot/mda/port</i> format.                                                                                                                                                                         |
| VPI/VCI         | Displays the VPI/VCI values.                                                                                                                                                                                                                    |
| Admin State     | Displays the administrative state of the interface connection.                                                                                                                                                                                  |
| Oper State      | Indicates the status of the ATM interface.                                                                                                                                                                                                      |
| OAM State       | Indicates the OAM operational status of ATM connections.<br>ETE indicates end-to-end connection.<br>AIS denotes alarm indication signal.<br>RDI denotes for remote defect indication.<br>LOC indicates the alarm was due to loss of continuity. |
| Encap Type      | Indicates the encapsulation type.                                                                                                                                                                                                               |
| Owner           | Identifies the system entity that owns a specific ATM connection.                                                                                                                                                                               |
| AAL Type        | Displays ATM Adaptation Layer 5 (AAL5) information.                                                                                                                                                                                             |
| Endpoint Type   | Displays the endpoint type.                                                                                                                                                                                                                     |
| Cast Type       | Indicates the connection topology type.                                                                                                                                                                                                         |
| Type            | Indicates the connection type.                                                                                                                                                                                                                  |
| Ing. Td Idx     | Specifies the ATM traffic descriptor profile that applies to the receive direction of the interface connection.                                                                                                                                 |
| Egr. Td Idx     | Specifies the ATM traffic descriptor profile that applies to the transmit direction of the interface connection.                                                                                                                                |
| Last Changed    | Indicates the date and time when the interface connection entered its current operational state.                                                                                                                                                |
| Octets          | Displays the number of input and output octets.<br>HEC discarded cells are not included in the input octet numbers                                                                                                                              |
| Cells           | Displays the number of input and output cells.<br>HEC discarded cells are not included in the input cell numbers                                                                                                                                |
| Packets         | Displays the number of input and output packets.<br>Packets discarded due to HEC or oversize discards are not counted. CRC errors are also in the packet counts show up on the VC level statistics but not on the port level.                   |
| Dropped Packets | Displays the number of packets dropped by the ATM SAR device.                                                                                                                                                                                   |
| CRC-32 Errors   | Displays the number of valid AAL-5 SDUs and AAL-5 SDUs with CRC-32 errors received by the AAL-5 VCC.                                                                                                                                            |

| Label                | Description (Continued)                                                                                                             |
|----------------------|-------------------------------------------------------------------------------------------------------------------------------------|
| Reassembly Time-outs | Displays the number of reassembly timeout occurrences.                                                                              |
| Over Sized SDUs      | Displays the total number of oversized SDU discards.                                                                                |
| AIS                  | Displays the number of AIS cells transmitted and received on this connection for both end to end and segment.                       |
| RDI                  | Displays the number of RDI cells transmitted and received on this connection for both end to end and segment.                       |
| Loopback             | Displays the number of loopback requests and responses transmitted and received on this connection for both end to end and segment. |
| CRC-10 Errors        | Displays the number of cells discarded on this VPL with CRC 10 errors.                                                              |
| Other                | Displays the number of OAM cells that are received but not identified.                                                              |

### Sample Output

```

ALA-1# show port 9/1/2 atm pvc 0/500 detail
=====
ATM Endpoint
=====
Port Id : 9/1/2 VPI/VCI : 0/500
Admin State : up Oper state : down
OAM State : ETE-AIS Encap Type : llc
Owner : SAP AAL Type : AAL-5
Endpoint Type : PVC Cast Type : P2P
Ing. Td Idx : 5 Egr. Td Idx : 3
Last Changed : 02/14/2007 14:15:12
=====
ATM Statistics
=====
 Input Output

Octets 0 0
Cells 0 0
=====
AAL-5 Packet Statistics
=====
 Input Output

Packets 0 0
Dropped Packets 0 0
CRC-32 Errors 0
Reassembly Timeouts 0
Over Sized SDUs 0
=====
ATM OAM Statistics
=====
 Input Output

```

## Port Show Commands

```

AIS 0 0
RDI 0 0
Loopback 0 0
CRC-10 Errors 0
Other 0
=====
A:ALA-1#

A:ALA-228# show port 2/2/1.1.1.1 atm pvc 0/100 detail

ATM PVC
=====
Port Id : 2/2/1.1.1.1 VPI/VCI : 0/100
Admin State : up Oper state : up
OAM State : up Encap Type : llc
Owner : SAP AAL Type : AAL-5
Endpoint Type : PVC Cast Type : P2P
Ing. Td Idx : 101 Egr. Td Idx : 201
Last Changed : 06/15/2007 22:09:11 ILMI Vpi/Vci Range : n/a
=====
ATM Statistics
=====
 Input Output

Octets 57173273 58892699
Cells 1078741 1111183
=====
AAL-5 Packet Statistics
=====
 Input Output

Packets 539382 555603
Dropped Packets 0 0
CRC-32 Errors 0
Reassembly Timeouts 0
Over Sized SDUs 0
=====
ATM OAM Statistics
=====
 Input Output

AIS 0 0
RDI 0 1
Loopback 0 0
CRC-10 Errors 0
Other 0
=====
A:ALA-228#

```

**Output**    **Port ATM PVT Detail Output** — The following table describes port ATM PVT detail output fields.

| Label   | Description                                                             |
|---------|-------------------------------------------------------------------------|
| Port Id | The port ID configured or displayed in the <i>slot/mda/port</i> format. |

| Label         | Description (Continued)                                                                                                                                                      |
|---------------|------------------------------------------------------------------------------------------------------------------------------------------------------------------------------|
| VPI/VCI       | Displays the VPI/VCI values.                                                                                                                                                 |
| Admin State   | Displays the administrative state of the interface connection.                                                                                                               |
| Oper State    | Indicates the status of the ATM interface.                                                                                                                                   |
| Encap Type    | Indicates the encapsulation type.                                                                                                                                            |
| Owner         | Identifies the system entity that owns a specific ATM connection.                                                                                                            |
| Endpoint Type | Displays the endpoint type.                                                                                                                                                  |
| Cast Type     | Indicates the connection topology type.                                                                                                                                      |
| Ing. Td Idx   | Specifies the ATM traffic descriptor profile that applies to the receive direction of the interface connection.                                                              |
| Egr. Td Idx   | Specifies the ATM traffic descriptor profile that applies to the transmit direction of the interface connection.                                                             |
| Last Changed  | Indicates the date and time when the interface connection entered its current operational state.                                                                             |
| Octets        | Displays the number of input and output octets.<br>HEC discarded cells are not included in the input octet numbers.                                                          |
| Cells         | Displays the number of input and output cells.<br>HEC discarded cells are not included in the input cell numbers.                                                            |
| Dropped CLP   | Displays the number of times the CLP1 cells have been dropped. CLP1 cells have lower priority than CLP0 cells and are expected to be discarded first in times of congestion. |
| Dropped Cells | Displays the number of cells dropped by the ATM SAR device.                                                                                                                  |
| Tagged Cells  | Displays the number of cells that have been demoted from CLP0 to CLP1.                                                                                                       |

### Sample Output

```
A:SR1_5>config>service# show port 1/2/2 atm pvt 0.0 detail
=====
ATM PVT
=====
Port Id : 1/2/2 VPI Range : 0.0
Admin State : up Oper state : up
Owner : SAP
Endpoint Type : PVT Cast Type : P2P
Ing. Td Idx : 1 Egr. Td Idx : 1
Last Changed : 04/02/2007 01:59:21
=====
ATM Statistics
=====
```

## Port Show Commands

```

 Input Output

Octets 0 0
Cells 0 0
CLP=0 Cells 0 0
Dropped CLP=0 Cells 0 0
Dropped Cells (CLP=0+1) 0 0
Tagged Cells 0
=====
A:SR1_5>config>service#
```

### Sample Output

```
*A:PE>config>port>ethernet>dot1x# show port 1/1/5 dot1x
=====
802.1x Port Status
=====

Port control : auto
Port status : authorized
Authenticator PAE state : authenticated
Backend state : idle
Reauth enabled : no Reauth period : N/A
Max auth requests : 2 Transmit period : 30
Supplicant timeout : 30 Server timeout : 30
Quiet period : 60
Radius-plcy : test
Tunneling : false

=====
802.1x Session Statistics
=====

authentication method : remote-radius
last session id : PAC-02228000-11B0A9BB
last session time : 00h00m06s
last session username : user1
last session term cause : N/A
user tx octets : 0 user tx frames : 0
user rx octets : 0 user rx frames : 0

*A:Dut-C>config>port>ethernet>dot1x# /show port 1/1/5 dot1x detail
=====
802.1x Port Status
=====

Port control : auto
Port status : authorized
Authenticator PAE state : authenticated
Backend state : idle
Reauth enabled : no Reauth period : N/A
Max auth requests : 2 Transmit period : 30
Supplicant timeout : 30 Server timeout : 30
Quiet period : 60
Radius-plcy : test
Tunneling : false
```

```

=====
802.lx Session Statistics
=====

authentication method : remote-radius
last session id : PAC-02228000-11B0A9BB
last session time : 00h00m10s
last session username : user1
last session term cause : N/A
user tx octets : 0 user tx frames : 0
user rx octets : 0 user rx frames : 0

=====
802.lx Authentication Statistics
=====

tx frames : 22 rx frames : 14
tx req/id frames : 6 rx resp/id frames : 3
tx request frames : 3 rx response frames : 3
rx start frames : 4 rx logoff frames : 4
rx unknown frame type : 0 rx bad eap length : 0
rx last version : 1 rx last source mac : 00:01:02:17:23:22

=====
802.lx Authentication Diagnostics
=====

Enters Connecting : 6
EapLogoffs While Connecting : 1
Logoffs While Connecting : 1
Success While Authenticating : 3
Timeouts While Authenticating : 0
Failures While Authenticating : 0
Reauths While Authenticating : 0
EapStarts While Authenticating : 0
EapLogoffs While Authenticating : 0
Reauths While Authenticated : 0
EapStarts While Authenticated : 0
EapLogoffs While Authenticated : 1
Backend Responses : 6
Backend Access Challenges : 3
Backend Requests To Supplicant : 3
Backend Access Challenges : 0
Backend Non Nak Responses : 0
Backend Auth Successes : 3
Backend Auth Failures : 0

```

**cem****Syntax**    **cem****Context**    show>port**Description**    This command displays CEM encaps ports and channels.

## Port Show Commands

### Sample Output

```
*A:NS062480023# show port cem
=====
Ports on Slot 1
=====
Port Admin Link Port Clock Master Clock
Id State State State Src Port Id State

1/9/1.1.1 Up No Down adaptive 1/9/1.1.2.1 hold-over
1/9/1.1.1.1 Up No Down
1/9/1.1.2 Up No Down loop-timed 1/9/1.1.2.1 hold-over
1/9/1.1.2.1 Up No Down
1/9/1.1.3 Up No Down node-timed
1/9/1.1.3.1 Up No Down
1/9/1.1.4 Up No Down node-timed
...

*A:NS062480023#
```



## ethernet efm-oam

**Syntax** ethernet efm-oam

**Context** show>port

**Description** This command shows EFM-OAM port state information.

**Sample Output**

```
config port 1/1/1 ethernet efm-oam ignore-efm-state
show port 1/1/1 ethernet efm-oam
```

```
=====
Ethernet Oam (802.3ah)
=====
```

```
Admin State : down
Oper State : disabled
Mode : active
Pdu Size : 1518
Config Revision : 0
Function Support : LB
Transmit Interval : 1000 ms
Multiplier : 5
Hold Time : 0
Tunneling : false
Loop Detected : false
```

```
No Peer Information Available
```

```
Loopback State : None
Loopback Ignore Rx : Ignore
Ignore Efm State : true
```

```
config port 1/1/1 ethernet efm-oam noignore-efm-state
show port 1/1/1 ethernet efm-oam
```

```
=====
Ethernet Oam (802.3ah)
=====
```

```
Admin State : down
Oper State : disabled
Mode : active
Pdu Size : 1518
Config Revision : 0
Function Support : LB
Transmit Interval : 1000 ms
Multiplier : 5
Hold Time : 0
Tunneling : false
Loop Detected : false
```

```
No Peer Information Available
```

```
Loopback State : None
Loopback Ignore Rx : Ignore
Ignore Efm State : false
```

## Port Show Commands

```

=====
Ethernet Oam Statistics
=====
 Input Output

Information 0 0
Loopback Control 0 0
Unsupported Codes 0 0
Frames Lost 0 0
=====

```

When the optional **ignore-efm-state** command is set to default [no] and the port enters a Link Up condition as a result of an 802.3ah fault condition, a reason code is included on the show port to indicate the reason the port entered the link up.

```

show port
=====
Ports on Slot 1
=====
Port Admin Link Port Cfg Oper LAG/ Port Port Port C/QS/S/XFP/
Id State State State MTU MTU Bndl Mode Encp Type MDIMDX

1/1/1 Down No Down 1578 1578 - netw null xcme
1/1/2 Up Yes Up 9212 9212 5 netw null xcme
1/1/3 Down No Down 1578 1578 - netw null xcme
1/1/4 Down No Down 1578 1578 - netw null xcme
1/1/5 Up No Down 1522 1522 - accs qinq xcme
1/1/6 Down No Down 1578 1578 - netw null xcme
1/1/7 Down No Down 1578 1578 - netw null xcme
1/1/8 Down No Down 1578 1578 - netw null xcme
1/1/9 Down No Down 1578 1578 - netw null xcme
1/1/10 Up Yes Link Up 1518 1518 - accs dotq xcme ? Sample (remains unchanged)

```

Further examination of the individual port reveals the reason code for the Link Up condition.

```

mep# show port 1/1/10
=====
Ethernet Interface
=====
Description : 10/100/Gig Ethernet SFP
Interface : 1/1/10 Oper Speed : N/A
Link-level : Ethernet Config Speed : 1 Gbps
Admin State : up Oper Duplex : N/A
Oper State : down Config Duplex : full
Reason Down : efmOamDown
Physical Link : Yes MTU : 1518
Single Fiber Mode : No
IfIndex : 35979264 Hold time up : 0 seconds
Last State Change : 08/08/2011 21:56:20 Hold time down : 0 seconds
Last Cleared Time : N/A DDM Events : Enabled

Configured Mode : access Encap Type : 802.1q
Dot1Q Ethertype : 0x8100 QinQ Ethertype : 0x8100
PBB Ethertype : 0x88e7
Ing. Pool % Rate : 100 Egr. Pool % Rate : 100
Ing. Pool Policy : n/a
Egr. Pool Policy : n/a

```

```

Net. Egr. Queue Pol: default
Egr. Sched. Pol : n/a
Auto-negotiate : true
Accounting Policy : None
Egress Rate : Default
Load-balance-algo : default

MDI/MDX : unknown
Collect-stats : Disabled
Ingress Rate : Default
LACP Tunnel : Disabled

Down-when-looped : Disabled
Loop Detected : False
Use Broadcast Addr : False

Keep-alive : 10
Retry : 120

Sync. Status Msg. : Disabled
Tx DUS/DNU : Disabled
SSM Code Type : sdh

Rx Quality Level : N/A
Tx Quality Level : N/A

Configured Address : 90:f4:01:01:00:0a
Hardware Address : 90:f4:01:01:00:0a
Cfg Alarm :
Alarm Status :
=====

```

## dot1x

**Syntax** **dot1x [detail]**

**Context** show>port>ethernet

**Description** This command displays 802.1x information.

**Parameters** **detail** — Displays detailed information.

### Sample Output

```

*A:PE>config>port>ethernet>dot1x# show port 1/1/5 dot1x
=====
802.1x Port Status
=====

Port control : auto
Port status : authorized
Authenticator PAE state : authenticated
Backend state : idle
Reauth enabled : no
Max auth requests : 2
Supplicant timeout : 30
Quiet period : 60
Radius-plcy : test
Tunneling : false
Reauth period : N/A
Transmit period : 30
Server timeout : 30

=====
802.1x Session Statistics
=====

authentication method : remote-radius
last session id : PAC-02228000-11B0A9BB

```

## Port Show Commands

```
last session time : 00h00m06s
last session username : user1
last session term cause : N/A
user tx octets : 0 user tx frames : 0
user rx octets : 0 user rx frames : 0
```

## lldp

**Syntax** **lldp** [**nearest-bridge**|**nearest-non-tpmr**|**nearest-customer**] [**remote-info**] [**detail**]

**Context** show>port>ethernet

**Description** This command displays Link Layer Discovery Protocol (LLDP) information.

**Parameters**

- nearest-bridge** — Displays nearest bridge information.
- nearest-non-tpmr** — Displays nearest Two-Port MAC Relay (TPMR) information.
- nearest-customer** — Displays nearest customer information.
- remote-info** — Displays remote information on the bridge MAC.
- detail** — Shows detailed information.

### Sample Output

```
A:testSr1# show port 1/2/2 ethernet lldp
=====
Link Layer Discovery Protocol (LLDP) Port Information
=====
Port 1/2/2 Bridge nearest-bridge

Admin State : txAndRx Notifications : Disabled
Transmit TLVs : portDesc sysCap

Management Address Transmit Configuration:
Index 1 (system) : Enabled Address : 10.20.30.40

Port 1/2/2 Bridge nearest-non-tpmr

Admin State : disabled Notifications : Disabled
Transmit TLVs : None

Management Address Transmit Configuration:
Index 1 (system) : Disabled Address : 10.20.30.40

Port 1/2/2 Bridge nearest-customer

Admin State : disabled Notifications : Disabled
Transmit TLVs : None

Management Address Transmit Configuration:
Index 1 (system) : Disabled Address : 10.20.30.40
=====
A:testSr1#
```

```

A:testSrl# show port 1/2/2 ethernet lldp nearest-bridge detail
=====
Link Layer Discovery Protocol (LLDP) Port Information
=====
Port 1/2/2 Bridge nearest-bridge

Admin State : txAndRx Notifications : Disabled
Transmit TLVs : portDesc sysCap

Management Address Transmit Configuration:
Index 1 (system) : Enabled Address : 10.20.30.40

Port LLDP Stats:
Tx Frames : 13 Tx Length Err Frames : 0
Rx Frames : 0 Rx Frame Discard : 0
Rx Frame Errors : 0 Rx TLV Discard : 0
Rx TLV Unknown : 0 Rx Ageouts : 0
=====
A:testSrl#

A:testSrl# show port 1/2/2 ethernet lldp nearest-bridge remote-info detail
=====
Link Layer Discovery Protocol (LLDP) Port Information
=====
Port 1/2/2 Bridge nearest-bridge Remote Peer Information

Remote Peer Index 2 at timestamp 12/02/2008 16:08:14:
Supported Caps : (Not Specified)
Enabled Caps : (Not Specified)
Chassis Id Subtype : 4 (macAddress)
Chassis Id : ac:fa:ff:00:00:00
PortId Subtype : 7 (local)
Port Id : 37814272
Port Description : n/a
System Name : n/a
System Description : n/a

Remote Peer Index 2 management addresses at time 12/02/2008 16:08:14:
No remote management addresses found
=====
A:testSrl#

```

## port-tree

**Syntax** `port-tree port-id`

**Context** show

**Description** This command displays the tree for SONET/SDH or TDM ports/channels.

**Parameters** *port-id* — Specifies the physical port ID.

## Port Show Commands

|                    |                                                                                              |                                                                                  |
|--------------------|----------------------------------------------------------------------------------------------|----------------------------------------------------------------------------------|
| <b>Syntax</b>      | port-id                                                                                      | <i>slot[/mda[/port]] or<br/>slot/mda/port[.channel]</i>                          |
|                    | aps-id                                                                                       | <i>aps-group-id[.channel]<br/>aps keyword<br/>group-id 1 — 64</i>                |
|                    | ccag-id                                                                                      | <i>slot/mda/path-id[cc-type]<br/>path-id a, b<br/>cc-type .sap-net, .net-sap</i> |
| <b>MDA Values</b>  | 7750 SR-12, 7750 SR-7, 7750 SR-1: 1, 2<br>7750 SR-c12: 1, 3, 5, 7, 9, 11<br>7750 SR-c4: 1— 4 |                                                                                  |
| <b>CMA Values</b>  | 7750 SR-c12: 1 — 12                                                                          |                                                                                  |
| <b>Slot Values</b> | 7750 SR-12: 1 — 10<br>7750 SR-7: 1 — 5<br>7750 SR-1: 1<br>7750 SR-c12/4: 1                   |                                                                                  |
| <b>Port Values</b> | 1 — 60 (depending on the MDA type)                                                           |                                                                                  |

Output **Show Port Tree Output** — The following table describes show port tree output fields.

| Label           | Description                                                                       |
|-----------------|-----------------------------------------------------------------------------------|
| ifIndex         | Displays the interface's index number which reflects its initialization sequence. |
| type            | Specifies the type.                                                               |
| sonet-sdh-index | Specifies the sonet-sdh-index.                                                    |
| *               | When a * is displayed after the sonet-sdh-index, the port/channel is provisioned. |

### Sample Output

```
A:ALA-48>config# show port-tree 7/1/1
 ifIndex type, sonet-sdh-index (* = provisioned)
===== =====
119570432 Port, N/A *
656441345 DS3, none *
656441405 DS1, 1 *
656441430 DS1, 2
656441455 DS1, 3
656441480 DS1, 4
656441505 DS1, 5
656441530 DS1, 6
656441555 DS1, 7
```

```

656441580 DS1, 8
656441605 DS1, 9
656441630 DS1, 10
656441655 DS1, 11
656441680 DS1, 12
656441705 DS1, 13
656441730 DS1, 14
656441755 DS1, 15
656441780 DS1, 16
656441805 DS1, 17
656441830 DS1, 18
656441855 DS1, 19
656441880 DS1, 20
656441905 DS1, 21
656441930 DS1, 22
656441980 DS1, 24
656442005 DS1, 25
656442030 DS1, 26
656442055 DS1, 27
656442080 DS1, 28
A:ALA-48>config#

```

## redundancy

**Syntax** **redundancy**

**Context** show

**Description** This command enables the context to show multi-chassis redundancy information.

## multi-chassis

**Syntax** **multi-chassis all**  
**multi-chassis mc-lag peer** *ip-address* [**lag** *lag-id*]  
**multi-chassis mc-lag** [**peer** *ip-address* [**lag** *lag-id*]] **statistics**  
**multi-chassis sync** [**peer** *ip-address*] [**detail**]  
**multi-chassis sync** [**peer** *ip-address*] **statistics**

**Context** show>redundancy

**Description** This command displays multi-chassis redundancy information.

**Parameters** **all** — Displays all multi-chassis information.

**mc-lag** — Displays multi-chassis LAG information.

**peer** *ip-address* — Displays the address of the multi-chassis peer.

**lag** *lag-id* — Displays the specified LAG ID on this system that forms an multi-chassis LAG configuration with the indicated peer.

**statistics** — Displays statistics for the multi-chassis peer.

## Port Show Commands

**sync** — Displays synchronization information.

**detail** — Displays detailed information.

### Sample Output

```
A:pc1# show redundancy multi-chassis all
=====
Multi-Chassis Peers
=====
Peer IP Src IP Auth Peer Admin
 MCS Admin MCS Oper MCS State MC-LAG Admin MC-LAG Oper

10.10.10.102 10.10.10.101 hash Enabled
 Enabled Enabled inSync Enabled Enabled
10.10.20.1 0.0.0.0 None Disabled
 -- -- -- Disabled Disabled
=====
A:pc1#
```

```
*A:Dut-C# show redundancy multi-chassis mc-lag peer 10.10.10.1
=====
Multi-Chassis MC-Lag Peer 10.10.10.1
=====
Last State chg: 09/24/2007 07:58:03
Admin State: Up Oper State : Up
KeepAlive: 10 deci-seconds Hold On Ngbr Failure : 3

Lag Id LACP Key Remote Lag Id System Id Sys Prio Last State Changed

1 326661 00:00:00:33:33:33 32888 09/24/2007 07:56:35

Number of LAGs : 1
=====
*A:Dut-C#
```

```
A:pc1# show redundancy multi-chassis mc-lag statistics
=====
Multi-Chassis Statistics
=====
Packets Rx : 129816
Packets Rx Keepalive : 129798
Packets Rx Config : 3
Packets Rx Peer Config : 5
Packets Rx State : 10
Packets Dropped KeepaliveTask : 0
Packets Dropped Packet Too Short : 0
Packets Dropped Verify Failed : 0
Packets Dropped Tlv Invalid Size : 0
Packets Dropped Out of Seq : 0
Packets Dropped Unknown Tlv : 0
Packets Dropped Tlv Invalid LagId : 0
Packets Dropped MD5 : 0
Packets Dropped Unknown Peer : 0
Packets Tx : 77918
```



```

Packets Tx Keepalive : 77879
Packets Tx Config : 6
Packets Tx Peer Config : 26
Packets Tx State : 7
Packets Tx Failed : 0
=====
A:pcl#
A:pcl# show redundancy multi-chassis mc-lag peer 10.10.10.102 lag 2 statistics
=====
Multi-Chassis Statistics, Peer 10.10.10.102 Lag 2
=====
Packets Rx Config : 1
Packets Rx State : 4
Packets Tx Config : 2
Packets Tx State : 3
Packets Tx Failed : 0
=====
A:pcl#

A:pcl#show redundancy multi-chassis mc-lag peer 10.10.10.102 statistics
=====
Multi-Chassis Statistics, Peer 10.10.10.102
=====
Packets Rx : 129918
Packets Rx Keepalive : 129900
Packets Rx Config : 3
Packets Rx Peer Config : 5
Packets Rx State : 10
Packets Dropped State Disabled : 0
Packets Dropped Packets Too Short : 0
Packets Dropped Tlv Invalid Size : 0
Packets Dropped Tlv Invalid LagId : 0
Packets Dropped Out of Seq : 0
Packets Dropped Unknown Tlv : 0
Packets Dropped MD5 : 0
Packets Tx : 77979
Packets Tx Keepalive : 77940
Packets Tx Peer Config : 26
Packets Tx Failed : 0
=====
A:pcl#

A:pcl# show redundancy multi-chassis sync
=====
Multi-chassis Peer Table
=====
Peer

Peer IP Address : 10.10.10.102
Description : CO1
Authentication : Enabled
Source IP Address : 10.10.10.101
Admin State : Enabled

Sync-status

Client Applications :

```

## Port Show Commands

```
Sync Admin State : Up
Sync Oper State : Up
DB Sync State : inSync
Num Entries : 0
Lcl Deleted Entries : 0
Alarm Entries : 0
Rem Num Entries : 0
Rem Lcl Deleted Entries : 0
Rem Alarm Entries : 0
=====
Peer

Peer IP Address : 10.10.20.1
Authentication : Disabled
Source IP Address : 0.0.0.0
Admin State : Disabled
=====
A:pcl#

pcl# show redundancy multi-chassis sync peer 10.10.10.102
=====
Multi-chassis Peer Table
=====
Peer

Peer IP Address : 10.10.10.102
Description : CO1
Authentication : Enabled
Source IP Address : 10.10.10.101
Admin State : Enabled

Sync-status

Client Applications :
Sync Admin State : Up
Sync Oper State : Up
DB Sync State : inSync
Num Entries : 0
Lcl Deleted Entries : 0
Alarm Entries : 0
Rem Num Entries : 0
Rem Lcl Deleted Entries : 0
Rem Alarm Entries : 0
=====
MCS Application Stats
=====
Application : igmp
Num Entries : 0
Lcl Deleted Entries : 0
Alarm Entries : 0

Rem Num Entries : 0
Rem Lcl Deleted Entries : 0
Rem Alarm Entries : 0

Application : igmpSnooping
Num Entries : 0
Lcl Deleted Entries : 0
Alarm Entries : 0
```

```

Rem Num Entries : 0
Rem Lcl Deleted Entries : 0
Rem Alarm Entries : 0

Application : subMgmt
Num Entries : 0
Lcl Deleted Entries : 0
Alarm Entries : 0

Rem Num Entries : 0
Rem Lcl Deleted Entries : 0
Rem Alarm Entries : 0

Application : srrp
Num Entries : 0
Lcl Deleted Entries : 0
Alarm Entries : 0

Rem Num Entries : 0
Rem Lcl Deleted Entries : 0
Rem Alarm Entries : 0
=====
A:pcl#

A:pcl# show redundancy multi-chassis sync peer 10.10.10.102 detail
=====
Multi-chassis Peer Table
=====
Peer

Peer IP Address : 10.10.10.102
Description : CO1
Authentication : Enabled
Source IP Address : 10.10.10.101
Admin State : Enabled

Sync-status

Client Applications :
Sync Admin State : Up
Sync Oper State : Up
DB Sync State : inSync
Num Entries : 0
Lcl Deleted Entries : 0
Alarm Entries : 0
Rem Num Entries : 0
Rem Lcl Deleted Entries : 0
Rem Alarm Entries : 0
=====
MCS Application Stats
=====
Application : igmp
Num Entries : 0
Lcl Deleted Entries : 0
Alarm Entries : 0

Rem Num Entries : 0

```

## Port Show Commands

```
Rem Lcl Deleted Entries : 0
Rem Alarm Entries : 0

Application : igmpSnooping
Num Entries : 0
Lcl Deleted Entries : 0
Alarm Entries : 0

Rem Num Entries : 0
Rem Lcl Deleted Entries : 0
Rem Alarm Entries : 0

Application : subMgmt
Num Entries : 0
Lcl Deleted Entries : 0
Alarm Entries : 0

Rem Num Entries : 0
Rem Lcl Deleted Entries : 0
Rem Alarm Entries : 0

Application : srrp
Num Entries : 0
Lcl Deleted Entries : 0
Alarm Entries : 0

Rem Num Entries : 0
Rem Lcl Deleted Entries : 0
Rem Alarm Entries : 0
=====
Ports synced on peer 10.10.10.102
=====
Port/Encap Tag

1/1/1
 1-2 r1
=====
A:pcl#

A:pcl# show redundancy multi-chassis sync statistics
=====
Multi-chassis Peer Sync Stats
=====
Peer IP Address : 10.10.10.102
Packets Tx Total : 511
Packets Tx Hello : 510
Packets Tx Data : 0
Packets Tx Other : 1
Packets Tx Error : 0
Packets Rx Total : 511
Packets Rx Hello : 510
Packets Rx Data : 0
Packets Rx Other : 1
Packets Rx Error : 0
Packets Rx Header Err : 0
Packets Rx Body Err : 0
Packets Rx Seq Num Err : 0
=====
```

```

Peer IP Address : 10.10.20.1
Packets Tx Total : 0
Packets Tx Hello : 0
Packets Tx Data : 0
Packets Tx Other : 0
Packets Tx Error : 0
Packets Rx Total : 0
Packets Rx Hello : 0
Packets Rx Data : 0
Packets Rx Other : 0
Packets Rx Error : 0
Packets Rx Header Err : 0
Packets Rx Body Err : 0
Packets Rx Seq Num Err : 0
=====
A:pl1#

A:pl1# show redundancy multi-chassis sync peer 10.10.10.102 statistics
=====
Multi-chassis Peer Sync Stats
=====
Peer IP Address : 10.10.10.102
Packets Tx Total : 554
Packets Tx Hello : 553
Packets Tx Data : 0
Packets Tx Other : 1
Packets Tx Error : 0
Packets Rx Total : 554
Packets Rx Hello : 553
Packets Rx Data : 0
Packets Rx Other : 1
Packets Rx Error : 0
Packets Rx Header Err : 0
Packets Rx Body Err : 0
Packets Rx Seq Num Err : 0
=====
A:pl1#

```

## mc-lag

**Syntax** **mac-lag peer** *ip-address* [**lag lag-id**]  
**mac-lag [peer ip-address [lag lag-id]] statistics**

**Context** show>redundancy>multi-chassis

**Description** This command displays multi-chassis LAG information.

### Sample

```

*A:Dut-B# show redundancy multi-chassis mc-lag peer 10.20.1.2
=====
Multi-Chassis MC-Lag Peer 10.20.1.2
=====
Last State chg : 05/17/2009 19:31:58
Admin State : Up Oper State : Up

```

## Port Show Commands

```
KeepAlive : 5 deci-seconds Hold On Ngbr Failure : 2

Lag Id Lacp Remote Source Oper System Id Sys Last State Changed
Key Lag Id MacLSB MacLSB Prio

1 40000 1 Lacp 9c:40 00:02:80:01:00:01 100 05/17/2009 19:31:56

*A:Dut-B# /tools dump redundancy src-bmac-lsb
Src-bmac-lsb: 1025 (04-01) User: B-Vpls - 1 service(s)
Services affected:
B-Vpls: 1
B-Vpls: 2
```

## mc-ring

**Syntax** **mc-ring peer** *ip-address* **statistics**  
**mc-ring peer** *ip-address* [**ring** *sync-tag* [**detail|statistics**] ]  
**mc-ring peer** *ip-address* **ring** *sync-tag* **ring-node** [*ring-node-name* [**detail|statistics**] ]  
**mc-ring global-statistics**

**Context** show>redundancy>multi-chassis

**Description** This command displays multi-chassis ring information.

**Parameters** *ip-address* — Specifies the address of the multi-chassis peer to display.  
**ring** *sync-tag* — Specifies a synchronization tag to be displayed that was used while synchronizing this port with the multi-chassis peer.  
**node** *ring-node-name* — Specifies a ring-node name.  
**global-statistics** — Displays global statistics for the multi-chassis ring.  
**detail** — Displays detailed peer information for the multi-chassis ring.

**Output** **Show mc-ring peer ip-address ring Output** — The following table describes mc-ring peer ip-address ring output fields.

| Label      | Description                                                                                                                                                                                               |
|------------|-----------------------------------------------------------------------------------------------------------------------------------------------------------------------------------------------------------|
| Sync Tag   | Displays the synchronization tag that was used while synchronizing this port with the multi-chassis peer.                                                                                                 |
| Oper State | noPeer — The peer has no corresponding ring configured.<br>connected — The inband control connection with the peer is operational.<br>broken — The inband control connection with the peer has timed out. |

| Label           | Description (Continued)                                                                                                                                                                                                                                                                                                                                                                                                                                                                                                                                                                                                                                                                                                                                                                                                                                                                                                                                                                                                                                      |
|-----------------|--------------------------------------------------------------------------------------------------------------------------------------------------------------------------------------------------------------------------------------------------------------------------------------------------------------------------------------------------------------------------------------------------------------------------------------------------------------------------------------------------------------------------------------------------------------------------------------------------------------------------------------------------------------------------------------------------------------------------------------------------------------------------------------------------------------------------------------------------------------------------------------------------------------------------------------------------------------------------------------------------------------------------------------------------------------|
|                 | <p><code>conflict</code> – The inband control connection with the peer has timed out but the physical connection is still OK; the failure of the inband signaling connection is caused by a misconfiguration. For example, a conflict between the configuration of this system and its peer, or a misconfiguration on one of the ring access node systems.</p> <p><code>testingRing</code> – The inband control connection with the peer is being set up. Waiting for result.</p> <p><code>waitingForPeer</code> – Verifying if this ring is configured on the peer.</p> <p><code>configErr</code> – The ring is administratively up, but a configuration error prevents it from operating properly.</p> <p><code>halfBroken</code> – The inband control connection indicates that the ring is broken in one direction (towards the peer).</p> <p><code>localBroken</code> – The inband control connection with the peer is known to be broken due to local failure or local administrative action.</p> <p><code>shutdown</code> – The ring is shutdown.</p> |
| Failure Reason  | Displays the failure reason.                                                                                                                                                                                                                                                                                                                                                                                                                                                                                                                                                                                                                                                                                                                                                                                                                                                                                                                                                                                                                                 |
| Last Debounce   | Displays the last time that the debounce mechanism (protecting the router from overload situations in case of a flapping ring) was activated.                                                                                                                                                                                                                                                                                                                                                                                                                                                                                                                                                                                                                                                                                                                                                                                                                                                                                                                |
| Debounce Period | Displays the duration that the debounce mechanism was in action since the “Last Debounce”.                                                                                                                                                                                                                                                                                                                                                                                                                                                                                                                                                                                                                                                                                                                                                                                                                                                                                                                                                                   |

### Sample Output

```
*A:ALA-48# show redundancy multi-chassis mc-ring peer 10.0.0.2 ring ring11 detail
=====
Multi-Chassis MC-Ring Detailed Information
=====
Peer : 10.0.0.2
Sync Tag : ring11
Port ID : 1/1/3
Admin State : inService
Oper State : connected
Admin Change : 01/07/2008 21:40:07
Oper Change : 01/07/2008 21:40:24
Last Debounce : 02/15/2008 09:28:42
Debounce Period: 0d 00:00:00
Failure Reason : None

In Band Control Path

Service ID : 10
Interface Name : to_an1
Oper State : connected
```

## Port Show Commands

```
Dest IP : 10.10.0.2
Src IP : 10.10.0.1

VLAN Map B Path Provisioned

range 13-13
range 17-17

VLAN Map Excluded Path Provisioned

range 18-18

VLAN Map B Path Operational

range 13-13
range 17-17

VLAN Map Excluded Path Operational

range 18-18
=====
*A:ALA-48#

*A:ALA-48>show>redundancy>multi-chassis# mc-ring peer 192.251.10.104
=====
MC Ring entries
=====
Sync Tag Oper State Failure Reason

No. of MC Ring entries: 0
=====
*A:ALA-48#

*A:ALA-48# show redundancy multi-chassis mc-ring peer 10.0.0.2
=====
MC Ring entries
=====
Sync Tag Oper State Failure Reason

ring11 connected None
ring12 shutdown None

No. of MC Ring entries: 4
=====
*A:ALA-48#

*A:ALA-48# show redundancy multi-chassis mc-ring peer 10.0.0.2 ring ring11 ring-node anl
detail
=====
Multi-Chassis MC-Ring Node Detailed Information
=====
Peer : 10.0.0.2
Sync Tag : ring11
Node Name : anl
Oper State Loc : connected
Oper State Rem : notTested
In Use : True
Admin Change : 01/07/2008 21:40:07
```



```
Oper Change : 01/07/2008 21:40:25
Failure Reason : None
```

```

Ring Node Connectivity Verification

```

```
Admin State : inService
Service ID : 11
VLAN Tag : 11
Dest IP : 10.11.3.1
Src IP : None
Interval : 1 minutes
Src MAC : None
```

```
=====
*A:ALA-48#
```

```
*A:ALA-48# show redundancy multi-chassis mc-ring peer 10.0.0.2 ring ring11 ring-node
```

```
=====
MC Ring Node entries

```

| Name   | Loc Oper St. | Failure Reason |
|--------|--------------|----------------|
| In Use | Rem Oper St. |                |
| an1    | connected    | None           |
| Yes    | notTested    |                |
| an2    | connected    | None           |
| Yes    | notTested    |                |

```

No. of MC Ring Node entries: 2
=====
```

```
*A:ALA-48#
```

**Show Redundancy Multi-Chassis Ring Peer Statistics Output** — The following table describes multi-chassis ring peer output fields.

| Label               | Description                                                                          |
|---------------------|--------------------------------------------------------------------------------------|
| Message             | Displays the message type.                                                           |
| Received            | Indicates the number of valid MC-Ring signalling messages received from the peer.    |
| Transmitted         | Indicates the number of valid MC-Ring signalling messages transmitted from the peer. |
| MCS ID Request      | Displays the number of valid MCS ID requests were received from the peer.            |
| MCS ID Response     | Displays the number of valid MCS ID responses were received from the peer.           |
| Ring Exists Request | Displays the number of valid 'ring exists' requests were received from the peer.     |

## Port Show Commands

| Label                | Description (Continued)                                                                               |
|----------------------|-------------------------------------------------------------------------------------------------------|
| Ring Exists Response | Displays the number of valid ring exists' responses were received from the peer.                      |
| Keepalive            | Displays the number of valid MC-Ring control packets of type 'keepalive' were received from the peer. |

### Sample Output

```
*A:ALA-48>show>redundancy>multi-chassis# mc-ring peer 192.251.10.104 statistics
=====
MC Ring statistics for peer 192.251.10.104
=====
Message Received Transmitted

MCS ID Request 0 0
MCS ID Response 0 0
Ring Exists Request 0 0
Ring Exists Response 0 0
Keepalive 0 0

Total 0 0
=====
*A:ALA-48>show>redundancy>multi-chassis#
```

### Show MC-Ring Ring-Node Field Output

| Label      | Description                                                                                                                                                                                                                                                                                                                                                                                                                                                                                                                                                                                                                                                                         |
|------------|-------------------------------------------------------------------------------------------------------------------------------------------------------------------------------------------------------------------------------------------------------------------------------------------------------------------------------------------------------------------------------------------------------------------------------------------------------------------------------------------------------------------------------------------------------------------------------------------------------------------------------------------------------------------------------------|
| Oper State | <p>Displays the state of the connection verification (both local and remote).</p> <p><code>notProvisioned</code> – Connection verification is not provisioned.</p> <p><code>configErr</code> – Connection verification is provisioned but a configuration error prevents it from operating properly.</p> <p><code>notTested</code> – Connection verification is administratively disabled or is not possible in the current situation.</p> <p><code>testing</code> – Connection Verification is active, but no results are yet available.</p> <p><code>connected</code> – The ring node is reachable.</p> <p><code>disconnected</code> – Connection verification has timed out.</p> |
| In Use     | Displays “True” if the ring node is referenced on an e-pipe or as an inter-dest-id on a static host or dynamic lease.                                                                                                                                                                                                                                                                                                                                                                                                                                                                                                                                                               |

**Show MC-Ring Global-Statistics Field Output**

| <b>Label</b>                | <b>Description</b>                                                                                                         |
|-----------------------------|----------------------------------------------------------------------------------------------------------------------------|
| Rx                          | Displays the number of MC-ring signalling packets were received by this system.                                            |
| Rx Too Short                | Displays the number of MC-ring signalling packets were received by this system that were too short.                        |
| Rx Wrong Authentication     | Displays the number of MC-ring signalling packets were received by this system with invalid authentication.                |
| Rx Invalid TLV              | Displays the number of MC-ring signalling packets were received by this system with invalid TLV.                           |
| Rx Incomplete               | Displays the number of MC-ring signalling packets were received by this system that were incomplete.                       |
| Rx Unknown Type             | Displays the number of MC-ring signalling packets were received by this system that were of unknown type.                  |
| Rx Unknown Peer             | Displays the number of MC-ring signalling packets were received by this system that were related to an unknown peer.       |
| Rx Unknown Ring             | Displays the number of MC-ring signalling packets were received by this system that were related to an unknown ring.       |
| Rx Unknown Ring Node        | Displays the number of MC-ring signalling packets were received by this system that were related to an unknown ring node.  |
| Tx                          | Displays the number of MC-ring signalling packets were transmitted by this system.                                         |
| Tx No Buffer                | Displays the number of MC-ring signalling packets could not be transmitted by this system due to a lack of packet buffers. |
| Tx Transmission Failed      | Displays the number of MC-ring signalling packets could not be transmitted by this system due to a transmission failure.   |
| Tx Unknown Destination      | Displays the number of MC-ring 'unknown destination' signalling packets were transmitted by this system.                   |
| Missed Configuration Events | Displays the number of missed configuration events on this system.                                                         |
| Missed BFD Events           | Displays the number of missed BFD events on this system.                                                                   |

**Sample Output**

```
*A:ALA-48>show>redundancy>multi-chassis# mc-ring global-statistics
=====
Global MC Ring statistics
```

## Port Show Commands

```
=====
Rx : 0
Rx Too Short : 0
Rx Wrong Authentication : 0
Rx Invalid TLV : 0
Rx Incomplete : 0
Rx Unknown Type : 0
Rx Unknown Peer : 0
Rx Unknown Ring : 0
Rx Unknown Ring Node : 0
Tx : 36763
Tx No Buffer : 0
Tx Transmission Failed : 0
Tx Unknown Destination : 0
Missed Configuration Events : 0
Missed BFD Events : 0
=====
*A:ALA-48>show>redundancy>multi-chassis#
```

## switch-fabric

**Syntax** **switch-fabric**  
**switch-fabric high-bandwidth-multicast**

**Context** show>system

**Description** This command displays switch fabric information.

**Parameters** **high-bandwidth-multicast** — Displays MDA information about switch-fabric plane's high bandwidth multicast traffic tap allocation. **Sample Output**

```
A:SR-12# show system switch-fabric high-bandwidth-multicast
=====
Switch Fabric
=====
Slot/Mda Min Fwd Cap Max Fwd Cap Hi-Bw-Mcast Mcast Hi Mcast Low Group

3/1 100% 100% Yes #15# #1# 1
4/1 100% 100% No 3 4 0
4/2 100% 100% No 1 2 0
8/1 100% 100% Yes #15# #1# 2
A 100% 100% No 0 0 0
B 100% 100% No 0 0 0
=====
A:SR-12#
```

## Multilink Bundle Commands

### multilink-bundle

**Syntax** **multilink-bundle** [*bundle-id* | *slot/mda* | **type** {**mlppp** | **ima-grp** | **mlfr**}] [**detail**]  
**multilink-bundle** {*bundle-id* | *slot/mda*} [**ppp** | **ima** | **mlfr**]  
**multilink-bundle** *bundle-id* **relations**  
**multilink-bundle** *bundle-id* **ppp** [**multiclass**]**multilink-bundle** *bundle-id* **mlfr** [**frame-relay** [**detail**]]

**Context** show

**Description** This comand displays multilink bundle information. An operator can display:

- All bundles on the system/MDA or all bundles of a given type on the system by specifying the value of type filter to be either mlppp, mlfr or ima-grp.
- Bundle specific information in summary (no detail option) or detailed format (detail option specified) for one or more bundles
- Protocol specific information (example PPP or IMA) for the specified bundle
- ATM interface information for IMA groups see **show port atm** command for more details

**Parameters** *bundle-id* — Specifies the multilink (PPP, MLFR or IMA) bundle to be associated with this IP interface. The command syntax must be used as follows:

**Syntax:** *bundle-type-slot/mda.bundle-num*  
*bpgrp-type-bpgrp-num*  
**bundle-ppp**-*slot/mda.bundle-num* (Creates a multilink PPP bundle.)  
**bundle-ima**-*slot/mda.bundle-num* (Creates an IMA group bundle.)  
**bundle-r**-*slot/mda.bundle-num* (Creates an MLFR group bundle.)  
**bundle:** keyword  
*slot:* IOM/MDA slot numbers  
*bundle-num:* 1 — 128

**ppp** — Displays PPP bundle information.

**ima, ima-grp** — Displays IMA-type groups.

**mlfr** — Displays bundle MLFR information, or used to display MLFR-type groups.

**mlppp** — Display MLPPP-type groups.

**detail** — Provides detailed information.

**relations** — Displays the working and protection bundles associated with this bundle-id.

**Multilink Bundle Output** — The following table describes multilink bundle output fields.

## Multilink Bundle Commands

| Label                      | Description                                                                                                                                                                                                                                                                                                                                                                                                                                                                                                                                                                                                                                                                                                                                                                                     |
|----------------------------|-------------------------------------------------------------------------------------------------------------------------------------------------------------------------------------------------------------------------------------------------------------------------------------------------------------------------------------------------------------------------------------------------------------------------------------------------------------------------------------------------------------------------------------------------------------------------------------------------------------------------------------------------------------------------------------------------------------------------------------------------------------------------------------------------|
| Type                       | Specifies the type of this multilink bundle.<br>mlppp – Indicates that the bundle is of type MLPPP.<br>ima – Indicates that the bundle is of type IMA group.                                                                                                                                                                                                                                                                                                                                                                                                                                                                                                                                                                                                                                    |
| Admin State                | Up – The bundle is administratively up.<br>Down – The bundle is administratively down.                                                                                                                                                                                                                                                                                                                                                                                                                                                                                                                                                                                                                                                                                                          |
| Oper State                 | Up – The bundle is operationally up.<br>Down – The bundle is operationally down.                                                                                                                                                                                                                                                                                                                                                                                                                                                                                                                                                                                                                                                                                                                |
| Port State                 | Displays the state level of the port.<br><br>none – Indicates that the port is either in its initial creation state or is just about to be deleted.<br><br>ghost – No member links are configured as part of this bundle.<br><br>down – All member links are in “none”, “ghost”, or “down” state.<br><br>linkUp – At least one member link is in port state “link up” but the bundle protocol is not yet operationally up (due to bundle protocol still coming up. For example, due to insufficient number of member links in “link up” state yet or to bundle being shut down.<br><br>Up – Indicates that the bundle is ready to pass some kinds of traffic as the bundle protocol has come up (at least “minimum links” member links are in the port state up and the bundle protocol is up.) |
| Min Links<br>Minimum Links | Displays the minimum number of links that must be active for a bundle to be active. If the number of active links drop below the given minimum then the multilink bundle will transition to an operation down state.                                                                                                                                                                                                                                                                                                                                                                                                                                                                                                                                                                            |
| Bundle IfIndex             | Displays the bundle’s interface index number which reflects its initialization sequence.                                                                                                                                                                                                                                                                                                                                                                                                                                                                                                                                                                                                                                                                                                        |
| Total Links                | Displays the total number of member links configured for this bundle.                                                                                                                                                                                                                                                                                                                                                                                                                                                                                                                                                                                                                                                                                                                           |
| Active Links               | Displays the total number of active links for the bundle.                                                                                                                                                                                                                                                                                                                                                                                                                                                                                                                                                                                                                                                                                                                                       |
| Description                | Displays configured description for this bundle.                                                                                                                                                                                                                                                                                                                                                                                                                                                                                                                                                                                                                                                                                                                                                |
| Bundle Id                  | Displays the <b>port ID</b> for this bundle.                                                                                                                                                                                                                                                                                                                                                                                                                                                                                                                                                                                                                                                                                                                                                    |
| Red Diff Delay             | Displays the maximum acceptable differential delay for individual circuits within this multilink bundle. If the delay exceeds this threshold, a trap is issued. The differential delay is calculated as the round-trip differential delay for MLPPP bundles, and as uni-directional differential delay for IMA bundles.                                                                                                                                                                                                                                                                                                                                                                                                                                                                         |

| Label                       | Description (Continued)                                                                                                                                                                       |
|-----------------------------|-----------------------------------------------------------------------------------------------------------------------------------------------------------------------------------------------|
| Fragment Threshold          | Displays configured fragment threshold value for this bundle.                                                                                                                                 |
| Up Time                     | Displays time elapsed since the last bundle transition to Up when part of bundle information. Displays time elapsed since the last link transition to active when part of member information. |
| Bandwidth                   | Displays bandwidth configured for this IMA bundle in Kbytes.                                                                                                                                  |
| Primary Port Member         | Displays the portId of the IMA group member chosen as a Primary Port.                                                                                                                         |
| Member Port Id              | Displays portId of each member of this bundle.                                                                                                                                                |
| Admin                       | Displays administrative port status of a member link.                                                                                                                                         |
| Oper                        | Displays operational port status of a member link.                                                                                                                                            |
| Active                      | Displays whether a member link is active or not.                                                                                                                                              |
| Down Reason                 | Displays the reason for why a member link is not active.                                                                                                                                      |
| Traffic and Port statistics | The traffic and port statistics information displayed for bundles when detail option is selected is the same as information displayed for physical ports.                                     |

### Sample Output

```
A:timetra-sim110# show multilink-bundle
=====
Bundle Summary
=====
Bundle Type Admin Oper Port Min Total/
Id State State State State Links Active Links

bundle-ppp-1/1.1 mlppp Down Down Ghost 1 0/0
bundle-ima-1/1.2 ima Down Down Link Up 1 1/0

Bundles : 2
=====
A:timetra-sim110#

*A:timetra-44-cpm2# show multilink-bundle detail
=====
Description : MultiLink Bundle
Bundle Id : bundle-ppp-1/1.1 Type : mlppp
Admin Status : up Oper Status : down
Minimum Links : 1 Bundle IfIndex : 572522497
Total Links : 3 Active Links : 0
Red Diff Delay : 0 Yellow Diff Delay : 0
Red Diff Delay Act : none MRRU : 1524
Short Sequence : true Oper MRRU : 1524
Oper MTU : 1526 Fragment Threshold : 128 bytes
```

## Multilink Bundle Commands

```

Up Time : N/A Bandwidth : 0 KBit
PPP Input Discards : 0 Primary Member Port : 1/1/1.1.1.1.1.1
Mode : access
Interleave-Frag : false

```

```

Member Port Id #TS Admin Oper Act Down Reason Up Time

1/1/1.1.1.1.1.1 12 up up no oper down N/A
1/1/1.1.1.1.1.2 12 up up no oper down N/A
1/1/1.1.1.1.1.3 12 up up no oper down N/A
=====

```

### Traffic Statistics

```

Input Output

Octets 0 0
Packets 0 0
Errors 0 0
=====

```

### Port Statistics

```

Input Output

Packets 0 0
Discards 0 0
Unknown Proto Discards 0
=====

```

```
*A:timetra-44-cpm2#
```

```
A:timetra-sim110# show multilink-bundle type ima-grp
```

### Bundle Summary

```

Bundle Type Admin Oper Port Min Total/
Id State State State State Links Active Links

bundle-ima-1/1.2 ima Down Down Link Up 1 1/0

```

```
Bundles : 1
```

```
A:timetra-sim110#
```

```
A:timetra-sim110# show multilink-bundle bundle-ppp-1/1.1
```

### Bundle Summary

```

Bundle Type Admin Oper Port Min Total/
Id State State State State State Links Active Links

bundle-ppp-1/1.1 mlppp Down Down Ghost 1 0/0

```

```
Bundles : 1
```

```
A:timetra-sim110#
```



```

A:timetra-sim110# show multilink-bundle bundle-ppp-1/1.1 detail
=====
Bundle bundle-ppp-1/1.1 Detail
=====
Description : MultiLink Bundle
Bundle Id : bundle-ppp-1/1.1 Type : mlppp
Admin Status : down Oper Status : down
Minimum Links : 1 Bundle IfIndex : 555745281
Total Links : 0 Active Links : 0
Red Diff Delay : 0 Yellow Diff Delay : 0
Red Diff Delay Act : none MRRU : 1524
Short Sequence : false Oper MRRU : 1524
Oper MTU : 1522 Fragment Threshold : 128 bytes
Up Time : N/A Bandwidth : 0 KBit
PPP Input Discards : 0 Primary Member Port : None
Interleave-Frag : false
=====
Traffic Statistics
=====
 Input Output

Octets 0 0
Packets 0 0
Errors 0 0
=====
Port Statistics
=====
 Input Output

Unicast Packets 0 0
Multicast Packets 0 0
Broadcast Packets 0 0
Discards 0 0
nown Proto Discards 0
=====
A:timetra-sim110#

*A:Cpm-A>config>port# show multilink-bundle

=====
Bundle Summary
=====
Bundle Type Admin Oper Port Min Total/
Id State State State State Links Active Links

bundle-fr-1/1.1 mlfr Down Down Ghost 1 0/0

Bundles : 1
=====
Bundle Summary
=====
Bundle Type Admin Oper Port Min Total/
Id State State State State Links Active Links

bundle-fr-1/1.1 mlfr Down Down Ghost 1 0/0

Bundles : 1
=====
*A:Cpm-A> show multilink-bundle bundle-fr-1/1.1 detail

```

## Multilink Bundle Commands

```

=====
Bundle bundle-fr-1/1.1 Detail
=====
Description : MultiLink Bundle
Bundle Id : bundle-fr-1/1.1 Type : mlfr
Admin Status : down Oper Status : down
Minimum Links : 1 Bundle IfIndex : 572530689
Total Links : 0 Active Links : 0
Red Diff Delay : 0 Yellow Diff Delay : 0
Red Diff Delay Act : none MRRU : N/A
Short Sequence : N/A Oper MRRU : N/A
Oper MTU : 0 Fragment Threshold : 128 bytes
Up Time : N/A Bandwidth : 0 KBit
PPP Input Discards : N/A Primary Member Port: None
Mode : access
Interleave-Frag : N/A

=====
Traffic Statistics
=====
 Input Output

Octets 0 0
Packets 0 0
Errors 0 0

=====
Port Statistics
=====
Input Output

Unicast Packets 0 0
Multicast Packets 0 0
Broadcast Packets 0 0
Discards 0 0
Unknown Proto Discards 0

=====
*A:Cpm-A> show multilink-bundle bundle-fr-1/1.1 mlfr frame-relay
=====
Frame Relay Info for bundle-fr-1/1.1
=====
Mode : dte LMI Type : itu
FR Interface Status : fault
N391 DTE : 6 N392 DCE : 3
N392 DTE : 3 N393 DCE : 4
N393 DTE : 4 T392 DCE : 15
T391 DTE : 10
Tx Status Enquiry : 0 Rx Status Enquiry : 0
Rx Status Messages : 0 Tx Status Messages : 0
Status Message Timeouts : 0 Status Enquiry Timeouts : 0
Discarded Messages : 0 Inv. RxSeqNum Messages : 0

=====
Service Access Points(SAP)
=====
Service Id : 39
SAP : 1/1/2.3.5.2.2:18 Encap : frRel
Description : Default sap description for service id 39
Admin State : Up Oper State : Up

```

## Interface Configuration

```

Flags : None
Multi Svc Site : None
Last Status Change : 12/02/2008 20:48:17
Last Mgmt Change : 12/02/2008 20:46:38
Sub Type : regular
Split Horizon Group: (Not Specified)

Admin MTU : 4474 Oper MTU : 4474
Ingr IP Fltr-Id : n/a Egr IP Fltr-Id : n/a
Ingr Mac Fltr-Id : n/a Egr Mac Fltr-Id : n/a
Ingr IPv6 Fltr-Id : n/a Egr IPv6 Fltr-Id : n/a
tod-suite : None qinq-pbit-marking : both
Ing Agg Rate Limit : max Egr Agg Rate Limit: max
Endpoint : N/A

FRF-12 : Disabled
Acct. Pol : None Collect Stats : Disabled

```

-----

FRF12 on channel where sap resides:

=====  
Service Access Points(SAP)  
=====

```

Service Id : 1
SAP : 1/1/1.3.7.4.1:16 Encap : frRel
Description : sap-1-88.10.131.1
Admin State : Up Oper State : Up
Flags : None
Multi Svc Site : None
Last Status Change : 12/02/2008 20:48:15
Last Mgmt Change : 12/02/2008 20:46:36
Sub Type : regular
Split Horizon Group: (Not Specified)
Admin MTU : 9194 Oper MTU : 9194
Ingr IP Fltr-Id : n/a Egr IP Fltr-Id : n/a
Ingr Mac Fltr-Id : n/a Egr Mac Fltr-Id : n/a
Ingr IPv6 Fltr-Id : n/a Egr IPv6 Fltr-Id : n/a
tod-suite : None qinq-pbit-marking : both
Ing Agg Rate Limit : max Egr Agg Rate Limit: max

FRF-12 (I/F) : Enabled
Scheduling Class : 0
Acct. Pol : None Collect Stats : Disabled
Anti Spoofing : None Avl Static Hosts : 0
 Tot Static Hosts : 0

Calling-Station-Id : n/a
Application Profile: None

```

-----

FRF12 ETE on sap capable of supporting it:

=====  
Service Access Points(SAP)  
=====

```

Id : 1
SAP : 1/1/1.1:16 Encap : frRel
Description : (Not Specified)

```

Service

## Multilink Bundle Commands

```

Admin State : Up Oper State : Up
Flags : None
Multi Svc Site : None
Last Status Change : 12/02/2008 20:48:12
Last Mgmt Change : 12/02/2008 20:46:36
Sub Type : regular
Split Horizon Group: (Not Specified)

Admin MTU : 9194 Oper MTU : 9194
Ingr IP Fltr-Id : n/a Egr IP Fltr-Id : n/a
Ingr Mac Fltr-Id : n/a Egr Mac Fltr-Id : n/a
Ingr IPv6 Fltr-Id : n/a Egr IPv6 Fltr-Id : n/a
tod-suite : None qinq-pbit-marking : both
Ing Agg Rate Limit : max Egr Agg Rate Limit: max

FRF-12 (ETE) : Enabled Ete-Frag-Threshold: 128
Scheduling Class : 3
Acct. Pol : None Collect Stats :
Disabled
Anti Spoofing : None Avl Static Hosts : 0
 Tot Static Hosts : 0

Calling-Station-Id : n/a
Application Profile: None

```

## relations

### Syntax relations

**Context** show>multilink-bundle

**Description** This command displays the working and protection bundles associated with this bundle-id.

**Output** **Show Multilink-Bundle Relations Output** — The following table describes show multilink-bundle relations output fields.

| Label            | Description                                                                            |
|------------------|----------------------------------------------------------------------------------------|
| BundleID         | Displays the bundle number.                                                            |
| Admin State      | Up — The bundle is administratively up.<br>Down — The bundle is administratively down. |
| Oper State       | Up — The bundle is operationally up.<br>Down — The bundle is operationally down.       |
| Working BundleID | Displays the bundle that is currently in working mode.                                 |

| Label            | Description                                            |
|------------------|--------------------------------------------------------|
| Protect BundleID | Displays the bundle that is currently in protect mode. |
| Active Bundle    | Displays the mode of the active bundle.                |

### Sample Output

```
A:ALA-48>show# show multilink-bundle bundle-ima-1/1.2 relations
=====
Bundle Relationship
=====
Bundle Admin Oper Working Protect Active
Id State State Bundle Id Bundle Id Bundle

bpgrp-ima-1 Down Down bundle-ima-1/1.1 bundle-ima-1/1.2 Protect

Bundles : 1
=====
A:ALA-48>show#
```

## ima

**Syntax** `multilink-bundle ima`

**Context** `show>multilink-bundle`

**Description** This command enables the context to display IMA group data.

**MDA Values** 1, 2

**Output** **Show Mutlilink-bundle IMA Connections Output** — The following table describes show multilink-bundle IMA output fields.

| Label       | Description                                                                                                                                                  |
|-------------|--------------------------------------------------------------------------------------------------------------------------------------------------------------|
| BundleId    | Displays the bundle ID number.                                                                                                                               |
| Type        | Specifies the type of this multilink bundle.<br>mlppp — Indicates that the bundle is of type MLPPP.<br>ima — Indicates that the bundle is of type IMA group. |
| Admin State | ima — Indicates that the bundle is of type IMA group.<br>Down — The bundle is administratively down.                                                         |
| Oper State  | Up — The bundle is operationally up.<br>Down — The bundle is operationally down.                                                                             |
| Port State  | Displays the state level of the port.                                                                                                                        |

| Label                      | Description (Continued)                                                                                                                                                                                                                                                                                                                                                                                                                                                                                                                                                                                                                                                                                                                                   |
|----------------------------|-----------------------------------------------------------------------------------------------------------------------------------------------------------------------------------------------------------------------------------------------------------------------------------------------------------------------------------------------------------------------------------------------------------------------------------------------------------------------------------------------------------------------------------------------------------------------------------------------------------------------------------------------------------------------------------------------------------------------------------------------------------|
|                            | <p>none – Indicates that the port is either in its initial creation state or is just about to be deleted.</p> <p>ghost – No member links are configured as part of this bundle.</p> <p>down – All member links are in “none”, “ghost”, or “down” state.</p> <p>linkUp – At least one member link is in port state “link up” but the bundle protocol is not yet operationally up (due to bundle protocol still coming up. For example, due to insufficient number of member links in “link up” state yet or to bundle being shut down.</p> <p>Up – Indicates that the bundle is ready to pass some kinds of traffic as the bundle protocol has come up (at least “minimum links” member links are in the port state up and the bundle protocol is up.)</p> |
| Min Links<br>Minimum Links | Displays the minimum number of links that must be active for a bundle to be active. If the number of links drop below the given minimum then the multilink bundle will transition to an operation down state.)                                                                                                                                                                                                                                                                                                                                                                                                                                                                                                                                            |
| Total/Active<br>Links      | Displays the total number of active links for the bundle.                                                                                                                                                                                                                                                                                                                                                                                                                                                                                                                                                                                                                                                                                                 |

**Sample Output**

```
A:timetra-sim110# show multilink-bundle bundle-ima-1/1.2
=====
Bundle Summary
=====
Bundle Type Admin Oper Port Min Total/
Id State State State State Links Active Links

bundle-ima-1/1.2 ima Down Down Link Up 1 1/0

Bundles : 1
=====
A:timetra-sim110#

A:timetra-sim110# show multilink-bundle bundle-ima-1/1.2 detail
=====
Bundle bundle-ima-1/1.2 Detail
=====
Description : MultiLink Bundle
Bundle Id : bundle-ima-1/1.2 Type : ima
Admin Status : down Oper Status : down
Minimum Links : 1 Bundle IfIndex : 555749378
Total Links : 1 Active Links : 0
Red Diff Delay : 25 Yellow Diff Delay : N/A
Red Diff Delay Act : down MRRU : N/A
Short Sequence : N/A Oper MRRU : N/A
Oper MTU : 1524 Fragment Threshold : 128 bytes
Up Time : N/A Bandwidth : 0 KBit
PPP Input Discards : N/A Primary Member Port: 1/1/1.1.1.1
```

```

Interleave-Frag : N/A

Member Port Id Admin Oper Active Down Reason Up Time

1/1/1.1.1.1 up up no oper down N/A
=====
Traffic Statistics
=====
 Input Output

Octets 0 0
Packets 0 0
Errors 0 0
=====
Port Statistics
=====
 Input Output

Packets 0 0
Discards 0 0
Unknown Proto Discards 0
=====
A:timetra-siml10#

A:timetra-siml10# show multilink-bundle bundle-ima-1/1.2 ima
=====
Bundle bundle-ima-1/1.2 IMA group information
=====
Version : 1.1
Current State : Startup Near-end
Near-end State : Startup
Far-end State : Not configured
Group Test State : Disabled
Max BW Links : 8
Operational Secs : N/A
Tx IMA Id : 0
Tx Timing Ref Link : N/A
Tx Oam Label : 3
Test Link : N/A
Near-End Clock-Mode : ctc
Link Deact Timer : 2000
Alpha-value : 2
Gamma-value : 1
Tx CR Available : 0 KBit
Least Delayed Link : N/A
Near-End Fails : 1
Tx Icp Cells : 0
Errored Icp Cells : 0
Down Secs : 2811
Rx IMA Id : 255
Rx Timing Ref Link : N/A
Rx Oam Label : 0
Test Pattern : 0
Far-End Clock-Mode : itc
Link Act Timer : 10000
Beta-value : 2
Symmetry Mode : symmetric
Rx CR Available : 0 KBit
Max Obs Diff Delay : 0
Far-end Fails : 0
Rx Icp Cells : 0
Rx Lost Icp Cells : 0
=====
A:timetra-siml10#

```

The following stats display when the bundle type is mlppp-lfi and the The following stats should only be displayed if the bundle type is mlppp-lfi and the detail keyword is issued.

```

LFI Statistics
 Ingress Egress
 Packet Bytes Packet Byte

High 5000 5000000 2000 2000000
Normal 1000010000000 5000 5000000
=====

```

## Multilink Bundle Commands

### ppp

**Syntax**     **ppp** [multiclass]

**Context**    show>multilink-bundle

**Description** This command enables the context to display PPP group data.

**MDA Values**    1, 2

                  multiclass

                  Specifies to display multi-class MLPPP information.

### Sample Output

```
A:timetra-sim110# show multilink-bundle bundle-ppp-1/1.1 ppp
=====
PPP Protocols for bundle-ppp-1/1.1
=====
Protocol State Last Change Restart Count Last Cleared

ipcp initial 02/16/2007 06:11:44 0 02/16/2007 06:11:44
mplscp initial 02/16/2007 06:11:44 0 02/16/2007 06:11:44
bcnp initial 02/16/2007 06:11:44 0 02/16/2007 06:11:44
osicp initial 02/16/2007 06:11:44 0 02/16/2007 06:11:44
ipv6cp initial 02/16/2007 06:11:44 0 02/16/2007 06:11:44
=====
Local Mac address : 8c:6e:01:01:00:3d Remote Mac address : 00:00:00:00:00:00
Local IPv4 address : 0.0.0.0 Remote IPv4 address: 0.0.0.0
Local IPv6 address : ::
Remote IPv6 address: ::
=====
*A:mlppp_top#

*A:mlppp_top# show multilink-bundle bundle-ppp-1/1.1 ppp multiclass
=====
MLPPP Per Class Traffic Statistics for bundle-ppp-1/1.1
=====
 Input Output

Class 0
 Octets 0 0
 Packets 0 0
 Errors 0 0
Class 1
 Octets 0 0
 Packets 0 0
 Errors 0 0
Class 2
 Packets 0 0
 Errors 0 0
Class 3
 Octets 0 270400
 Packets 0 2704
 Errors 0 0
```



```
=====
*A:mlppp_top#
```

atm

**Syntax** atm [detail]

**Context** show>multilink-bundle>ima

**Description** This command displays multilink bundle IMA ATM information.

**Parameters** detail — Displays detailed information.

**Output** **Show Multilink-bundle IMA ATM Output** — The following table describes show multilink-bundle IMA ATM output fields..

| Label                  | Description                                                             |
|------------------------|-------------------------------------------------------------------------|
| Cell Mode              | Displays the cell format (UNI or NNI) used on the ATM interface.        |
| Configured VCs         | Displays the number of configured VCs.                                  |
| Configured VTs         | Displays the number of configured VTs.                                  |
| Configured minimum VPI | Displays the minimum VPI configured for this bundle.                    |
| Last Unknown VPI/VCI   | Indicates the last unknown VPI/VCI that was received on this interface. |
| Mapping                | Displays ATM cell mapping used on this interface: Direct or PLCP.       |
| Configured VPs         | Displays the number of configured VPs.                                  |
| Configured IFCs        | Displays the number of configured IFCs.                                 |

### Sample Output

```
A:NS052651098# show multilink-bundle bundle-ima-1/1.1 ima atm
=====
ATM Info for bundle-ima-1/1.1
=====
Cell Mode : UNI Mapping : Direct
Configured VCs : 1 Configured VPs : 0
Configured VTs : 0 Configured IFCs : 0
Configured minimum VPI: 0
Last Unknown VPI/VCI : none
=====
ATM Bandwidth Info
=====
 kbps % kbps %

Ingress CBR : 15232 100% Egress CBR : 15232 100%
Ingress RT-VBR : 0 0% Egress RT-VBR : 0 0%
Ingress NRT-VBR : 0 0% Egress NRT-VBR : 0 0%
```

## Multilink Bundle Commands

```

Ingress UBR : 0 0% Egress UBR : 0 0%

Ingress Total : 15232 100% Egress Total : 15232 100%
ATM Link Bandwidth : 15232 kbps
Shaped Bandwidth : 15232 kbps
=====

```

### connections

**Syntax** **connections**

**Context** show>multilink-bundle>ima>atm

**Description** This command displays connection information.

**Parameters**

- pvc** — Displays ATM port PVC information.
- pvp** — Displays ATM port PVP information.
- pvt** — Displays ATM port PVT information.
- vpi-range** — Displays the VPI range.

**Values** vpi: 0 — 4095 (NNI)  
0 — 255 (UNI)

**vpi** — Displays the VPI values.

**Values** vpi: 0 — 4095 (NNI)  
0 — 255 (UNI)

**vci** — Displays the VCI values.

**Values** 1, 2, 5 — 65534

**detail** — Provides detailed information.

**MDA Values** 1, 2

**Output** **Show Multilink-bundle IMA ATM Connections Output** — The following table describes show multilink-bundle IMA ATM connections output fields.

| Label    | Description                                                                                                                                                  |
|----------|--------------------------------------------------------------------------------------------------------------------------------------------------------------|
| Owner    | Identifies the system entity that owns a specific ATM connection.                                                                                            |
| Type     | Specifies the type of this multilink bundle.<br>mlppp — Indicates that the bundle is of type MLPPP.<br>ima — Indicates that the bundle is of type IMA group. |
| Ing . TD | Specifies the ATM traffic descriptor profile that applies to the receive direction of the interface connection.                                              |
| Egr . TD | Specifies the ATM traffic descriptor profile that applies to the transmit direction of the interface connection.                                             |

| Label | Description (Continued)                                                                              |
|-------|------------------------------------------------------------------------------------------------------|
| Adm   | ima – Indicates that the bundle is of type IMA group.<br>Down – The bundle is administratively down. |
| Opr   | Up – The bundle is operationally up.<br>Down – The bundle is operationally down.                     |
| OAM   | Indicates the OAM operational status of ATM connections.                                             |

### Sample Output

```
A:NS052651098# show multilink-bundle bundle-ima-1/1.1 ima atm connections
=====
ATM Connections, Port bundle-ima-1/1.1
=====
 Owner Type Ing.TD Egr.TD Adm OAM Opr

1/100 SAP PVC 2 2 up up up
=====
A:NS052651098#
```

## port-connection

**Syntax** `port-connection [detail]`

**Context** `show>multilink-bundle>ima>atm`

**Description** This command displays port connection information.

**Parameters** `detail` — Displays detailed information.

**Output** **Show Multilink-Bundle IMA ATM Port-Connection Output** — The following table describes show multilink-bundle IMA ATM port-connection output fields.

| Label         | Description                                                                                          |
|---------------|------------------------------------------------------------------------------------------------------|
| Port ID       | Displays the port ID for this bundle.                                                                |
| Admin State   | ima – Indicates that the bundle is of type IMA group.<br>Down – The bundle is administratively down. |
| Oper State    | Up – The bundle is operationally up.<br>Down – The bundle is operationally down.                     |
| Owner         | Identifies the system entity that owns a specific ATM connection.                                    |
| Endpoint Type | Displays the endpoint type.                                                                          |

## Multilink Bundle Commands

| Label        | Description (Continued)                                                                                          |
|--------------|------------------------------------------------------------------------------------------------------------------|
| Cast Type    | Indicates the connection topology type.                                                                          |
| Ing. Td Idx  | Specifies the ATM traffic descriptor profile that applies to the receive direction of the interface connection.  |
| Egr. Td Idx  | Specifies the ATM traffic descriptor profile that applies to the transmit direction of the interface connection. |
| Last Changed | Indicates the date and time when the interface connection entered its current operational state.                 |

### Sample Output

```
A:NS052651098# show multilink-bundle bundle-ima-1/1.1 ima atm port-connection
=====
ATM Port Connection
=====
Port Id : bundle-ima-1/1.1
Admin State : up Oper state : up
Owner : SAP
Endpoint Type : Port Cast Type : P2P
Ing. Td Idx : 2 Egr. Td Idx : 2
Last Changed : 01/16/2007 14:24:00
=====
A:NS052651098#
```

## pvc

**Syntax** `pvc [vpi[/vci]] [detail]`

**Context** `show>multilink-bundle>ima>atm`

**Description** This command displays ATM port PVC information.

**Parameters** `vpi` — Displays the VPI values.

**Values** vpi: 0 — 4095 (NNI)  
0 — 255 (UNI)

`vci`: — Displays the VCI values.

**Values** 1, 2, 5 — 65534

`detail` — Provides detailed information.

**MDA Values** 1, 2

**Output** **Show Multilink-Bundle IMA ATM PVC Output** — The following table describes show multilink-bundle IMA ATM port-connection output fields.

| Label   | Description                                                                                                                                                  |
|---------|--------------------------------------------------------------------------------------------------------------------------------------------------------------|
| VPI/VCI | Displays the VPI/VCI value.                                                                                                                                  |
| Owner   | Specifies the type of this multilink bundle.<br>mlppp – Indicates that the bundle is of type MLPPP.<br>ima – Indicates that the bundle is of type IMA group. |
| Type    | Identifies the system entity that owns a specific ATM connection.                                                                                            |
| Ing.TD  | Specifies the ATM traffic descriptor profile that applies to the receive direction of the interface connection.                                              |
| Egr.TD  | Specifies the ATM traffic descriptor profile that applies to the transmit direction of the interface connection.                                             |
| Adm     | ima – Indicates that the bundle is of type IMA group.<br>Down – The bundle is administratively down.                                                         |
| Opr     | Up – The bundle is operationally up.<br>Down – The bundle is operationally down.                                                                             |
| OAM     | Indicates the OAM operational status of ATM connections.                                                                                                     |

### Sample Output

```
A:NS052651098# show multilink-bundle bundle-ima-1/1.1 ima atm pvc
=====
ATM PVCs, Port bundle-ima-1/1.1
=====
VPI/VCI Owner Type Ing.TD Egr.TD Adm OAM Opr

1/100 SAP PVC 2 2 up up up
=====
A:NS052651098#

A:NS052651098# show multilink-bundle bundle-ima-1/1.1 ima atm pvc detail
=====
ATM PVCs, Port bundle-ima-1/1.1
=====
VPI/VCI Owner Type Ing.TD Egr.TD Adm OAM Opr

1/100 SAP PVC 2 2 up up up

=====
ATM Statistics
=====
 Input Output

Octets 0 0
```

## Multilink Bundle Commands

```

Cells 0 0
=====
AAL-5 Packet Statistics
=====
 Input Output

Packets 0 0
Dropped Packets 0 0
CRC-32 Errors 0 0
Reassembly Timeouts 0 0
Over Sized SDUs 0 0
=====
ATM OAM Statistics
=====
 Input Output

AIS 0 0
RDI 0 0
Loopback 0 0
CRC-10 Errors 0 0
Other 0 0
=====
A: NS052651098#

```

### pvp

**Syntax** `pvp [vpi] [detail]`

**Context** `show>multilink-bundle>ima>atm`

**Description** This command displays ATM port PVP information.

**Parameters** `vpi` — Displays the VPI values.

**Values** `vpi:` 0 — 4095 (NNI)  
0 — 255 (UNI)

`detail` — Displays detailed information.

**MDA Values** 1, 2

**Output** **Show Multilink-bundle IMA ATM PVP Output** — The following table describes show multilink-bundle IMA ATM port-connection output fields.

| Label | Description                                                                                                      |
|-------|------------------------------------------------------------------------------------------------------------------|
| VPI   | Displays the VPI value.                                                                                          |
| Owner | Identifies the system entity that owns a specific ATM connection.                                                |
| Type  | Specifies the type of this multilink bundle.<br><code>mlppp</code> — Indicates that the bundle is of type MLPPP. |

| Label  | Description (Continued)                                                                                          |
|--------|------------------------------------------------------------------------------------------------------------------|
|        | ima — Indicates that the bundle is of type IMA group.                                                            |
| Ing.TD | Specifies the ATM traffic descriptor profile that applies to the receive direction of the interface connection.  |
| Eng.TD | Specifies the ATM traffic descriptor profile that applies to the transmit direction of the interface connection. |
| Adm    | ima — Indicates that the bundle is of type IMA group.<br>Down — The bundle is administratively down.             |
| OAM    | Indicates the OAM operational status of ATM connections.                                                         |
| Opr    | Up — The bundle is operationally up.<br>Down — The bundle is operationally down.                                 |

### Sample Output

```
A:ima2# show multilink-bundle bundle-ima-1/1.1 ima atm pvt
=====
ATM PVPs, Port bundle-ima-1/1.1
=====
VPI Owner Type Ing.TD Egr.TD Adm OAM Opr

2 SAP PVP 1 1 up up up
=====
A:ima2#
```

## pvt

**Syntax** `pvt [vpi.vpi] [detail]`

**Context** `show>multilink-bundle>ima>atm`

**Description** This command displays ATM port PVT information.

**Parameters** `vpi` — Displays the VPI values.

**Values** `vpi:` 0 — 4095 (NNI)  
0 — 255 (UNI)

## Multilink Bundle Commands

**detail** — Provides detailed information.

**MDA Values** 1, 2

**Output** **Show Multilink-bundle IMA ATM PVT Output** — The following table describes show multilink-bundle IMA ATM port-connection output fields.

| Label     | Description                                                                                                                                                  |
|-----------|--------------------------------------------------------------------------------------------------------------------------------------------------------------|
| VPI Range | Displays the VPI range:                                                                                                                                      |
| Owner     | Identifies the system entity that owns a specific ATM connection.                                                                                            |
| Type      | Specifies the type of this multilink bundle.<br>mlppp — Indicates that the bundle is of type MLPPP.<br>ima — Indicates that the bundle is of type IMA group. |
| Ing.Td    | Specifies the ATM traffic descriptor profile that applies to the receive direction of the interface connection.                                              |
| Egr.Td    | Specifies the ATM traffic descriptor profile that applies to the transmit direction of the interface connection.                                             |
| Adm       | ima — Indicates that the bundle is of type IMA group.<br>Down — The bundle is administratively down.                                                         |
| Opr       | Up — The bundle is operationally up.<br>Down — The bundle is operationally down.                                                                             |

### Sample Output

```
A:ima2# show multilink-bundle bundle-ima-1/1.1 ima atm pvt
=====
ATM PVTs, Port bundle-ima-1/1.1
=====
VPI Range Owner Type Ing.TD Egr.TD Adm Opr

4.5 SAP PVT 1 1 up up
=====
A:ima2#
```



## LAG Commands

### lag

**Syntax**    **lag** [*lag-id*] [**detail**] [**statistics**]  
**lag** [*lag-id*] **description**  
**lag** [*lag-id*] **port**  
**lag** *lag-id* **associations**  
**lag** *lag-id* **bfd**  
**lag** *lag-id* [**detail**] **eth-cfm** [**tunnel** *tunnel-id*]  
**lag** *lag-id* **associations per-link-hash interface**  
**lag** *lag-id* **associations link-map-profile** [*link-map-profile*] **interface**  
**lag** *lag-id* **lACP-partner**  
**lag** *lag-id* **detail lACP-partner**  
**lag** *lag-id* **link-map-profile** *link-map-profile*  
**lag** *lag-id* **associations per-link-hash sap**  
**lag** *lag-id* **associations link-map-profile** [*link-map-profile*] **sap**

**Context**    show

**Description**    This command displays Link Aggregation Group (LAG) information.  
 If no command line options are specified, a summary listing of all LAGs is displayed.

**Parameters**    *lag-id* — Displays only information on the specified LAG ID.

**Default**    Display information for all LAG IDs.

**Values**    1 — 200 (7750 SR-1: 1 — 64)

**detail** — Displays detailed LAG information.

**Default**    Displays summary information.

**statistics** — Displays LAG statistics information.

**associations** — Displays a list of current router interfaces to which the LAG is assigned.

**link-map-profile** *link-map-profile* — Displays information about a particular LAG link map profile.

**eth-cfm** — Displays a list of Ethernet tunnels to which the LAG is assigned.

**per-link-hash** — Displays information about a SAP or interface associated with this LAG will send traffic over a single link of a LAG auto-rebalancing as links are added and removed from this LAG.

**lACP-partner** — Displays LACP partner information.

**link-map-profile** *link-map-profile* — Displays information about a specified LAG link map profile identifier.

## LAG Commands

**Output LAG Output** — The following table describes LAG output fields.

| Label          | Description                                                                                          |
|----------------|------------------------------------------------------------------------------------------------------|
| LAG ID         | The LAG or multi-link bundle ID that the port is assigned to.                                        |
| Adm            | Up — The LAG is administratively up.<br>Down — The LAG is administratively down.                     |
| Opr            | Up — The LAG is operationally up.<br>Down — The LAG is operationally down.                           |
| Port-Threshold | The number of operational links for the LAG at or below which the configured action will be invoked. |
| Up-Link-Count  | The number of ports that are physically present and have physical links present.                     |
| MC Act/Stdby   | Member port is selected as active or standby link.                                                   |

### Sample Output

```
A:ALA-48>config# show lag
=====
Lag Data
=====
Lag-id Adm Opr Port-Threshold Up-Link-Count MC Act/Stdby

1 up down 0 0 N/A
2 up up 0 1 active
3 up down 0 0 standby
4 up down 0 0 standby
10 up down 0 0 N/A

Total Lag-ids: 5 Single Chassis: 2 MC Act: 1 MC Stdby: 2
=====
A:ALA-48>config# show lag
```

```
A:sr7- show lag 10 port
=====
Lag Port States
LACP Status: e - Enabled, d - Disabled
=====
Lag-id Port-id Adm Act/Stdby Opr Primary Sub-group Forced Priority

10(e) 1/1/8 up active up yes 1 - 32768
 1/1/9 up standby down no 2 - 32768
=====
```

**Detailed LAG Output** — The following table describes detailed LAG output fields. The output is dependent on whether or not the LAG was configured as a multi-chassis LAG.

| Label                | Description                                                                                                                           |
|----------------------|---------------------------------------------------------------------------------------------------------------------------------------|
| LAG ID               | The LAG or multi-link trunk (MLT) that the port is assigned to.                                                                       |
| Adm                  | Up – The LAG is administratively up.<br>Down – The LAG is administratively down.                                                      |
| Port Threshold       | If the number of available links is equal or below this number, the threshold action is executed.                                     |
| Thres. Last Cleared  | The last time that keepalive stats were cleared.                                                                                      |
| Dynamic Cost         | The OSPF costing of a link aggregation group based on the available aggregated, operational bandwidth.                                |
| Configured Address   | The base chassis Ethernet MAC address.                                                                                                |
| Hardware Address     | The hardware address.                                                                                                                 |
| Hold-Time Down       | The timer, in tenths of seconds, which controls the delay between detecting that a LAG is down and reporting it to the higher levels. |
| LACP                 | Enabled – LACP is enabled.<br>Down – LACP is disabled.                                                                                |
| LACP Transmit Intvl  | LACP timeout signalled to peer.                                                                                                       |
| Selection Criteria   | Configured subgroup selection criteria.                                                                                               |
| Number of subgroups  | Total subgroups in LAG.                                                                                                               |
| System ID            | System ID used by actor in LACP messages.                                                                                             |
| Admin Key            | Configured LAG key.                                                                                                                   |
| Oper Key             | Key used by actor in LACP messages.                                                                                                   |
| System Priority      | System priority used by actor in LACP messages.                                                                                       |
| Prtr System ID       | System ID used by partner in LACP messages.                                                                                           |
| Prtr Oper Key        | Key used by partner in LACP messages.                                                                                                 |
| Prtr System Priority | System priority used by partner in LACP messages.                                                                                     |
| Mode                 | LAG in access or network mode.                                                                                                        |
| Opr                  | Up – The LAG is operationally up.<br>Down – The LAG is operationally down.                                                            |

| Label               | Description (Continued)                                                                 |
|---------------------|-----------------------------------------------------------------------------------------|
| Port Threshold      | Configured port threshold.                                                              |
| Thres. Exceeded Cnt | The number of times that the drop count was reached.                                    |
| Threshold Action    | Action to take when the number of available links is equal or below the port threshold. |
| Encap Type          | The encapsulation method used to distinguish customer traffic on a LAG.                 |
| Lag-IFIndex         | A box-wide unique number assigned to this interface.                                    |
| Adapt QoS           | Displays the configured QoS mode.                                                       |
| Port ID             | The specific slot/MDA/port ID.                                                          |
| (LACP) Mode         | LACP active or passive mode.                                                            |
| LACP xmit standby   | LACP transmits on standby links enabled / disabled.                                     |
| Slave-to-partner    | Configured enabled/disabled.                                                            |
| Port-id             | Displays the member port ID.                                                            |
| Adm                 | Displays the member port administrative state.                                          |
| Active/stdby        | Indicates that the member port is selected as the active or standby link.               |
| Opr                 | Indicates that the member port operational state.                                       |
| Primary             | Indicates that the member port is the primary port of the LAG.                          |
| Sub-group           | Displays the member subgroup where the member port belongs to.                          |
| Priority            | Displays the member port priority.                                                      |

**Sample Output**

```
A:sr7- show lag 10 detail
=====
LAG Details
=====
Description : N/A

Details

Lag-id : 10 Mode : network
Adm : up Opr : up
Thres. Exceeded Cnt : 17 Port Threshold : 0
Thres. Last Cleared : 01/22/2000 19:41:38 Threshold Action : down
Dynamic Cost : false Encap Type : null
Configured Address : 0c:a4:02:20:69:4b Lag-IfIndex : 1342177290
```

```

Hardware Address : 0c:a4:02:20:69:4b
Hold-time Down : 0.0 sec
Port Type : standard
Per FP Ing Queuing : disabled
LACP : enabled
LACP Transmit Intvl : fast
Selection Criteria : highest-count
Number of sub-groups : 2
System Id : 0c:a4:02:20:68:01
Admin Key : 32770
Prtr System Id : 0c:a4:02:1f:88:01
Prtr Oper Key : 32771
Standby Signaling : lacp
Mode : active
LACP xmit stdbym : enabled
Slave-to-partner : disabled
Forced : -
System Priority : 32768
Oper Key : 32770
Prtr System Priority : 32768

```

```

Port-id Adm Act/Stdbym Opr Primary Sub-group Forced Prio

1/1/8 up active up yes 1 - 32768
1/1/9 up standby down no 2 - 32768

```

```

Port-id Role Exp Def Dist Col Syn Aggr Timeout Activity

1/1/8 actor No No Yes Yes Yes Yes Yes Yes
1/1/8 partner No No Yes Yes Yes Yes Yes Yes
1/1/9 actor No No No No No Yes Yes Yes
1/1/9 partner No No No No No Yes Yes Yes

```

\*A:sr7-

**LAG Statistics Output** — The following table describes detailed LAG statistics output fields.

| Label               | Description                                                                                                                                                                                                                                                                                                                                                                                                                                                                                                                                                                                                  |
|---------------------|--------------------------------------------------------------------------------------------------------------------------------------------------------------------------------------------------------------------------------------------------------------------------------------------------------------------------------------------------------------------------------------------------------------------------------------------------------------------------------------------------------------------------------------------------------------------------------------------------------------|
| LAG ID              | The LAG or multi-link trunk (MLT) that the port is assigned to.                                                                                                                                                                                                                                                                                                                                                                                                                                                                                                                                              |
| Port ID             | The port ID configured or displayed in the <i>slot/mda/port</i> format.                                                                                                                                                                                                                                                                                                                                                                                                                                                                                                                                      |
| Input Bytes         | The number of incoming bytes for the LAG on a per-port basis.                                                                                                                                                                                                                                                                                                                                                                                                                                                                                                                                                |
| Input Packets       | The number of incoming packets for the LAG on a per-port basis.                                                                                                                                                                                                                                                                                                                                                                                                                                                                                                                                              |
| Output Bytes        | The number of outbound bytes for the LAG on a per-port basis.                                                                                                                                                                                                                                                                                                                                                                                                                                                                                                                                                |
| Output Packets      | The number of outbound packets for the LAG on a per-port basis.                                                                                                                                                                                                                                                                                                                                                                                                                                                                                                                                              |
| Input/Output Errors | For packet-oriented interfaces, the number of inbound packets that contained errors preventing them from being deliverable to a higher-layer protocol. For character-oriented or fixed-length interfaces, the number of inbound transmission units that contained errors preventing them from being deliverable to a higher-layer protocol.<br>For packet-oriented interfaces, the number of outbound packets that could not be transmitted because of errors. For character-oriented or fixed-length interfaces, the number of outbound transmission units that could not be transmitted because of errors. |
| Totals              | Displays the column totals for bytes, packets, and errors.                                                                                                                                                                                                                                                                                                                                                                                                                                                                                                                                                   |

**Sample Output**

```
ALA-1# show lag statistics
=====
LAG Statistics
=====
Description:
Lag-id Port-id Input Input Output Output Input Output
 Bytes Packets Bytes Packets Errors Errors

1 1/1/3 0 1006 0 2494 0 0
 1/1/4 0 435 0 401 0 0
 1/1/5 0 9968 0 9833 0 0

Totals 0 11409 0 12728 0 0
=====
ALA-1#
```

**LAG Associations Output** — The following table describes LAG associations output fields.

| Label      | Description                                                |
|------------|------------------------------------------------------------|
| Service ID | The service associated with the LAG.                       |
| Name       | The name of the IP interface.                              |
| Encap Val  | The Dot1q or QinQ values of the port for the IP interface. |

**Sample Output**

```
A:ALA-1# show lag 5 associations
=====
Interface Table
=====
Router/ServiceId Name Encap Val

Router: Base LAG2West 0

Interfaces
=====
A:ALA-1#
```

**LAG Details with MC-LAG Output** — The following example displays LAG output with MC LAG:

```
*A:pc5# show lag 2 detail
=====
LAG Details
=====
Description:

Details

Lag-id : 2 Mode : access
Adm : up Opr : up
```

## Interface Configuration

```

Thres. Exceeded Cnt : 2
Thres. Last Cleared : 04/11/2007 21:50:55
Dynamic Cost : false
Configured Address : 8e:8b:ff:00:01:42
1342177282
Hardware Address : 8e:8b:ff:00:01:42
distribute
Hold-time Down : 0.0 sec
LACP : enabled
LACP Transmit Intvl : fast
Selection Criteria : highest-count
Number of sub-groups: 2
System Id : 8e:8b:ff:00:00:00
Admin Key : 32768
Prtr System Id : 8e:89:ff:00:00:00
Prtr Oper Key : 32768

Port Threshold : 0
Threshold Action : down
Encap Type : dot1q
Lag-IfIndex :
Adapt Qos :
Mode : active
LACP xmit stdby : enabled
Slave-to-partner : disabled
Forced : -
System Priority : 32768
Oper Key : 32768
Prtr System Priority : 32768

```

```

MC Peer Address : 10.10.10.101
MC System Id : 01:01:01:01:01:01
MC Admin Key : 1
MC Lacp ID in use : false
MC Selection Logic : waiting for peer info

MC Peer Lag-id : 2
MC System Priority : 2
MC Active/Standby : active
MC extended timeout : false
MC Config Mismatch : no mismatch

```

```

Port-id Adm Act/Stdby Opr Primary Sub-group Forced
Prio

1/1/1 up active up yes 7 - 99
1/1/2 up standby down no 8 - 100

```

```

Port-id Role Exp Def Dist Col Syn Aggr Timeout
Activity

1/1/1 actor No No Yes Yes Yes Yes Yes Yes
1/1/1 partner No No Yes Yes Yes Yes Yes Yes
1/1/2 actor No No No No No Yes Yes Yes
1/1/2 partner No No No No Yes Yes Yes Yes

```

=====  
\*A:pc5#

**LAG Details without MC-LAG Output** — The following example displays LAG output without MC LAG:

```

*A:pc5# show lag 2 detail

LAG Details

Description:

Details

Lag-id : 2
Adm : up
Thres. Exceeded Cnt : 4
Thres. Last Cleared : 04/11/2007 02:03:49
Dynamic Cost : false
Configured Address : 8e:8b:ff:00:01:42
1342177282
Hardware Address : 8e:8b:ff:00:01:42
distribute

Mode : access
Opr : up
Port Threshold : 0
Threshold Action : down
Encap Type : dot1q
Lag-IfIndex :
Adapt Qos :

```

## LAG Commands

```

Hold-time Down : 0.0 sec
LACP : enabled
Mode : active
LACP Transmit Intvl : fast
LACP xmit stdby : enabled
Selection Criteria : highest-count
Slave-to-partner : disabled
Number of sub-groups: 2
Forced : -
System Id : 8e:8b:ff:00:00:00
System Priority : 32768
Admin Key : 32768
Oper Key : 32768
Prtr System Id : 8e:89:ff:00:00:00
Prtr System Priority : 32768
Prtr Oper Key : 32768

```

```

Port-id Adm Act/Stdby Opr Primary Sub-group Forced
Prio

1/1/1 up active up yes 7 - 99
1/1/2 up standby down 8 - 100

```

```

Port-id Role Exp Def Dist Col Syn Aggr Timeout
Activity

1/1/1 actor No No Yes Yes Yes Yes Yes Yes
1/1/1 partner No No Yes Yes Yes Yes Yes Yes
1/1/2 actor No No No No No Yes Yes Yes
1/1/2 partner No No No No Yes Yes Yes Yes

```

```

*A:pc5#

```



**LACP Partner Output** — The following output shows LAG LACP partner information.

```
A:ALU-Dut1# show lag 3 lacp-partner
=====
LAG Partner information
=====
Partner system ID : ea:3e:ff:00:00:00
Partner system priority : 32768
Partner operational key : 2
=====
LAG 3 Ports Partner operational information
=====
Port Actor Port Prio Key
 port

1/1/52 33908 33909 5 2
1/1/54 33910 33911 5 2
1/1/56 33912 33913 7 2
=====
LAG 3 Ports Partner operational state information
=====
Port Exp Def Dist Col Syn Aggr Time Act
 out

1/1/52 No No Yes Yes Yes Yes Yes Yes
1/1/54 No No Yes Yes Yes Yes Yes Yes
1/1/56 No No No No No Yes Yes Yes
=====
A:ALU-Dut1#

A:Dut-A# show lag 10 lacp-neighbors
=====
LAG Neighbor information
=====
Partner system ID : de:41:ff:00:00:00
Partner system priority : 32768
Partner operational key : 32768
=====
LAG port 1/1/6 partner information
=====
Actor port : 33862
Partner admin system prio : 32768
Partner oper system prio : 32768
Partner admin system ID : 00:00:00:00:00:00
Partner oper system ID : de:41:ff:00:00:00
Partner admin key : 0
Partner oper key : 32768
Partner admin port : (Not Specified)
Partner oper port : 33863
Partner admin port prio : 32768
Partner oper port prio : 32768
Partner admin state : (Not Specified)
Partner oper state : lacp-timeout aggregation synchronization
 collecting distributing
```

## LAG Commands

```
=====
A:Dut-A#
*A:bksim4001>config>lag# selection-criteria highest-weight subgroup-hold-time lshow lag 1
detail
 ght subgroup-hold-time 10

=====
LAG Details
=====
Description : To Sim4002

Details

Lag-id : 1 Mode : access
Adm : down Opr : down
Thres. Exceeded Cnt : 0 Port Threshold : 0
Thres. Last Cleared : 01/21/2014 09:00:48 Threshold Action : down
Dynamic Cost : false Encap Type : null
Configured Address : 36:95:ff:00:01:41 Lag-IfIndex : 1342177281
Hardware Address : 36:95:ff:00:01:41 Adapt Qos (access) : distribute
Hold-time Down : 0.0 sec Port Type : standard
Per-Link-Hash : disabled
Include-Egr-Hash-Cfg : enabled
Per FP Ing Queuing : disabled Per FP Egr Queuing : disabled
Per FP SAP Instance : disabled
LACP : enabled Mode : passive
LACP Transmit Intvl : fast LACP xmit stdby : enabled
Selection Criteria : highest-weight Slave-to-partner : disabled
Subgrp hold time : 20.0 sec Remaining time : 2.6 sec
Subgrp selected : 1 Subgrp candidate : 2
Subgrp count : 2 Forced : -
System Id : 36:95:ff:00:00:00 System Priority : 32768
Admin Key : 32768 Oper Key : 32768
Prtr System Id : Prtr System Priority : 0
Prtr Oper Key : 0
Standby Signaling : lacp
Port weight (gbps) : (Not Specified)
Weight Threshold : 0 Threshold Action : down
```

## Monitor Commands

### card

**Syntax** `card slot-number fp fp-number ingress {access|network} queue-group queue-group-name instance instance-id [absolute] [interval seconds] [repeat repeat] policer policer-id`

**Context** monitor

**Description** This command monitors card parameters.

### port

**Syntax** `port port-id [port-id...(up to 5 max)] [interval seconds] [repeat repeat] [absolute | rate] [multiclass]`

**Context** monitor

**Description** This command enables port traffic monitoring. The specified port(s) statistical information displays at the configured interval until the configured count is reached.

The first screen displays the current statistics related to the specified port(s). The subsequent statistical information listed for each interval is displayed as a delta to the previous display.

When the keyword **rate** is specified, the "rate per second" for each statistic is displayed instead of the delta.

Monitor commands are similar to **show** commands but only statistical information displays. Monitor commands display the selected statistics according to the configured number of times at the interval specified.

**Parameters** `port port-id` — Specify up to 5 port IDs. Port-IDs are only MLPPP bundles or bundle protection groups when the multiclass keyword is specified.

**Syntax:**

```

port-id slot/mda/port[channel]
aps-id aps-group-id[channel]
 aps keyword
 group-id 1 — 64 (16 for 7750 SR-c12/4)
 bundle ID bundle-type-slot/mda.bundle-num
 bpggrp-type-bpggrp-num
 bundle keyword
 bundle-num 1 — 128 (16 for 7750 SR-c12/4)
 type ima, ppp

```

`interval seconds` — Configures the interval for each display in seconds.

**Default** 10 seconds

**Values** 3 — 60

`repeat repeat` — Configures how many times the command is repeated.

## Monitor Commands

**Default** 10

**Values** 1 — 999

**absolute** — When the **absolute** keyword is specified, the raw statistics are displayed, without processing. No calculations are performed on the delta or rate statistics.

**rate** — When the **rate** keyword is specified, the rate-per-second for each statistic is displayed instead of the delta.

### Sample Output

```
A:ALA-12>monitor# port 2/1/4 interval 3 repeat 3 absolute
=====
Monitor statistics for Port 2/1/4
=====
 Input Output

At time t = 0 sec (Base Statistics)

Octets 0 0
Packets 39 175
Errors 0 0

At time t = 3 sec (Mode: Absolute)

Octets 0 0
Packets 39 175
Errors 0 0

At time t = 6 sec (Mode: Absolute)

Octets 0 0
Packets 39 175
Errors 0 0

At time t = 9 sec (Mode: Absolute)

Octets 0 0
Packets 39 175
Errors 0 0
=====
A:ALA-12>monitor#

A:ALA-12>monitor# port 2/1/4 interval 3 repeat 3 rate
=====
Monitor statistics for Port 2/1/4
=====
 Input Output

At time t = 0 sec (Base Statistics)

Octets 0 0
Packets 39 175
Errors 0 0

At time t = 3 sec (Mode: Rate)

```

```

Octets 0 0
Packets 0 0
Errors 0 0

At time t = 6 sec (Mode: Rate)

Octets 0 0
Packets 0 0
Errors 0 0

At time t = 9 sec (Mode: Rate)

Octets 0 0
Packets 0 0
Errors 0 0
=====
A:ALA-12>monitor#

=====
*A:Cpm-A> monitor port bundle-fr-1/1.1
=====
Monitor statistics for Port bundle-fr-1/1.1
=====
 Input Output

At time t = 0 sec (Base Statistics)

Octets 0 0
Packets 0 0
Errors 0 0

```

## queue-group

**Syntax** **queue-group** *queue-group-name* **egress** *access* **egress-queue** *egress-queue-id* [**interval** *seconds*] [**repeat** *repeat*] [**absolute**|**rate**]

**Context** monitor

**Description** This command enables queue-group monitoring for the specified parameters.

## queue-group

**Syntax** **queue-group** *queue-group-name* **ingress** *access* **ingress-queue** *ingress-queue-id* [**interval** *seconds*] [**repeat** *repeat*] [**absolute** | **rate**]

**Context** monitor

**Description** This command enables queue-group monitoring for the specified parameters.

## Monitor Commands

### queue-group

**Syntax** **queue-group** *queue-group-name* **egress** *network* **instance** *instance-id* [**policer** *policer-id*] [**egress-queue** *egress-queue-id*] [**interval** *seconds*] [**repeat** *repeat*] [**absolute** | **rate**]

**Context** monitor

**Description** This command enables queue-group monitoring for the specified parameters.

### port

**Syntax** **atm** [**interval** *seconds*] [**repeat** *repeat*] [**absolute** | **rate**]

**Context** monitor>port

**Description** This command enables ATM port traffic monitoring.

**Parameters** **interval** *seconds* — Configures the interval for each display in seconds.

**Default** 5 seconds

**Values** 3 — 60

**repeat** *repeat* — Configures how many times the command is repeated.

**Default** 10

**Values** 1 — 999

**absolute** — When the **absolute** keyword is specified, the raw statistics are displayed, without processing. No calculations are performed on the delta or rate statistics.

**rate** — When the **rate** keyword is specified, the rate-per-second for each statistic is displayed instead of the delta.

### Sample Output

```
A:ALA-49# monitor port 9/1/1 atm interval 3 repeat 2 absolute
=====
Monitor ATM statistics for Port 9/1/1
=====
 Input Output

At time t = 0 sec (Base Statistics)

Octets 0 0
Cells 0 0
Unknown VPI/VCI Cells 0

At time t = 3 sec (Mode: Absolute)

Octets 0 0
Cells 0 0
Unknown VPI/VCI Cells 0

```

## Interface Configuration

At time t = 6 sec (Mode: Absolute)

```

Octets 0 0
Cells 0 0
Unknown VPI/VCI Cells 0

```

A:ALA-49#

---

## Clear Commands

### card

**Syntax** `card slot-number soft`  
`card slot-number soft [hard-reset-unsupported-mdas]`  
`card slot-number fp [1..2] ingress mode {access|network} queue-group group-name instance`  
`instance statistics`  
`card slot-number [soft]`

**Context** clear

**Description** This command re-initializes the card in the specified slot. A clear card command (without the soft keyword) is referred to as a *Hard Reset*. A clear card x soft command (with the soft keyword) is referred to as a *Soft Reset*.

**Parameters** *slot-number* — Clears information for the specified card slot.

**Values** SR-1, SR-c12/4: no cards can be cleared in this chassis type  
SR-7: 1 - 6  
SR-12: 1 - 10

**soft** — Issues a soft reset of the I/O module (IOM).

### lag

**Syntax** `lag lag-id statistics`

**Context** clear

**Description** This command clears statistics for the specified LAG ID.

**Parameters** *lag-id* — The LAG ID to clear statistics.

**Values** 1 — 200 (7750 SR-1, SR-c12/4: 1 — 64)

**statistics** — Specifies to clear statistics for the specified LAG ID.

### mda

**Syntax** `mda mda-id [statistics]`

**Context** clear

**Description** This command reinitializes the specified MDA in a particular slot.



**Parameters** *mda-id* — Clears the specified slot and MDA/CMA.

**Values** 1, 2

**statistics** — Clears statistics for the specified MDA.

## port

**Syntax** **port** *port-id* **atm** **pvc** [*vpi*/*vci*] **statistics**  
**port** *port-id* **atm** **pvp** [*vpi*] **statistics**  
**port** *port-id* **atm** **pvt** [*vpi1.vpi2*] **statistics**  
**port** *port-id* **atm** **ilmi** **statistics**  
**port** *port-id* **atm** **port-connection** **statistics**  
**port** <*port-id*> **phys-state-change-count**  
**port** *port-id* **queue-group** *queue-group-name* [**access** | **network**] {**ingress** | **egress**}  
[**access**|**network**] [{**statistics**|**associations**}]  
**port** *port-id* **statistics**

**Context** clear

**Description** This command clears port statistics for the specified port(s).

**Parameters** *port-id* — The port identifier.

|               |                                 |                                              |
|---------------|---------------------------------|----------------------------------------------|
| <b>Values</b> | port-id                         | slot[/mda[/port]] or slot/mda/port[.channel] |
|               | aps-id                          | aps-group-id[.channel]                       |
|               |                                 | aps keyword                                  |
|               |                                 | group-id 1 — 64 (16 for 7750 SR-c12/4)       |
|               | bundle-type-slot/mda.bundle-num |                                              |
|               |                                 | bundle keyword                               |
|               |                                 | type ima, ppp                                |
|               |                                 | bundle-num 1 — 336                           |
|               | bpgrp-id                        | bpgrp-<type>-<bpgrp-num>                     |
|               |                                 | bpgrp keyword                                |
|               |                                 | type ima, ppp                                |
|               |                                 | bpgrp-num 1 — 2000 (256 for 7750 SR-c12/4)   |

**statistics** — Specifies that port statistics will be cleared.

**atm** — Specifies that ATM port statistics will be cleared.

*ilmi* — Clears ILMI information. This parameter is only applicable for ports/bundles that support ILMI.

*vpi* — Specifies the ATM network virtual path identifier (VPI) for this PVC.

*vci* — Specifies the ATM network virtual channel identifier (VCI) for this PVC.

*slot* — The slot number.

**Values** 1 - 10

## Monitor Commands

*mda* — The MDA number.

**Default** All MDAs.

**Values** 1, 2

7750 SR-c12: 1, 3, 5, 7, 9, 117750 SR-c12: 1-12 **pvc** — Clears PVC statistics.

**port-connection** — Clears port-connection statistics.

**phys-state-change-count** — Clears the counter that tracks physical port state transitions for ethernet ports ("Phys State Chng Cnt" in "show port" output, or `tmnxPortPhysStateChangeCount` in the TIMETRA-PORT-MIB)

**queue-group** *queue-group-name* — Clears the specified port queue group name. It uniquely identifies a port ingress queue group in the managed system.

**ingress** — Clears ingress queue group information.

**egress** — Clears egress queue group information

### Sample Output

```
A:SR12# clear port 3/1/1 atm
- atm

 cp - Clear Connection Profile statistics
 ilmi - Clear ILMI statistics
 interface-conn* - Clear interface-connection statistics
 pvc - Clear PVC statistics
 pvp - Clear PVP statistics
 pvt - Clear PVT statistics

A:SR12# clear port 3/1/1 atm cp
- cp [<cp>] statistics

<cp> : [1..8000]
<statistics> : keyword
```

## queue-group

**Syntax** **queue-group** *queue-group-name* **egress** *access* **egress-queue** *egress-queue-id* [**interval** *seconds*] [**repeat** *repeat*] [**absolute**|**rate**]

**Context** clear

**Description** This command clears queue-group monitoring for the specified parameters.

## queue-group

**Syntax** **queue-group** *queue-group-name* **ingress** *access* **ingress-queue** *ingress-queue-id* [**interval** *seconds*] [**repeat** *repeat*] [**absolute** | **rate**]

Context clear

**Description** This command clears queue-group monitoring for the specified parameters.

## queue-group

**Syntax** **queue-group** *queue-group-name* **egress** *network* **instance** *instance-id* [**policer** *policer-id*]  
[**egress-queue** *egress-queue-id*] [**interval** *seconds*] [**repeat** *repeat*] [**absolute** | **rate**]

Context clear

**Description** This command clears queue-group monitoring for the specified parameters.

## Tools Commands

### aps

**Syntax**    **aps** *aps-id* [**clear**]  
**aps mc-aps-signaling** [**clear**]  
**aps mc-aps-ppp** [**clear**]

**Context**    tools>dump>aps

**Description**    This command displays Automated Protection Switching (APS) information.

**Parameters**    **clear** — Removes all Automated Protection Switching (APS) operational commands.  
**mc-aps-signaling** — Displays multi-chassis APS signaling information.  
**mc-aps-ppp** — Displays multi-chassis APS PPP information.

#### Sample Output

```
*A:AS_SR7_2# tools dump aps aps-33

GrpId = 33, state = Running, mode:cfg/oper = Bi-directional/Bi-directional
revert = 0, workPort: N/A, protPort: 2/1/1, activePort: working
rxK1 = 0x0 (No-Req on Protect), physRxK1 = 0x0, rxK2 = 0x5
txK1 = 0x0 (No-Req on Protect), physTxK1 = 0x0, txK2 = 0x5
K1ReqToBeTxed = 0x0, K1ChanToBeTxed = 0x0, lastRxReq = 0xc
MC-APS Nbr = 100.100.100.1 (Up), advIntvl = 10, hold = 30
workPort: status = OK, Tx-Lais = None, sdCnt = 1, sfCnt = 1
 numSwitched = 1, switchSecs = 0, lastSwitched = 07/25/2007 08:00:12
 disCntTime = , alarms = , switchCmd = No Cmd
protPort: status = OK, Tx-Lais = None, sdCnt = 1, sfCnt = 0
 numSwitched = 1, switchSecs = 0, lastSwitched = 07/25/2007 08:03:39
 disCntTime = , alarms = , switchCmd = No Cmd
GrpStatus: OK, mmCnt = 1, cmCnt = 1, psbfCnt = 1, feplfCnt = 2
LocalSwitchCmd: priority = No-Req, portNum = 0
RemoteSwitchCmd: priority = No-Req, portNum = 0
Running Timers = mcAdvIntvl mcHold
processFlag = apsFailures = , sonet = Y
DebugInfo: dmEv = 0, dmClrEv = 0, amEv = 1, amClrEv = 1
 cmEv = 1, cmClrEv = 1, psbfEv = 1, psbfClrEv = 1
 feplfEv = 2, feplfClrEv = 2, wtrEv = 0, psbfDetectEv = 0
 wSdEv = 1, wSfEv = 2, pSdEv = 1, pSfEv = 1
 portStatusEv = 8, rxK1Ev = 9, txLaisEv = 2, lastEvName = FeplClr
 CtlUpEv = 3, CtlDnEv = 2, wAct = 0, wDeAct = 0

Seq Event TxK1/K2 RxK1/K2 Dir Active Time
=== =====
000 ProtAdd 0xc005 0x0000 Tx--> Work 497 02:18:10.590
001 RxKByte 0xc005 0x6dea Rx<-- Work 497 02:20:14.820
002 RxKByte 0xc005 0xc005 Rx<-- Work 497 02:21:30.970
003 RxKByte 0xc005 0x2005 Rx<-- Work 497 02:21:36.530
004 pSfClr 0x0005 0x2005 Tx--> Work 497 02:21:40.590
005 RxKByte 0x0005 0x0005 Rx<-- Work 497 02:21:40.600
```

```

006 RxKByte 0x0005 0xc115 Rx<-- Work 497 02:25:22.840
007 RxKByte 0x2115 0xc115 Tx--> Prot 497 02:25:22.840
008 RxKByte 0x2115 0xa115 Rx<-- Prot 000 00:00:47.070
009 RxKByte 0x2115 0x1115 Rx<-- Prot 000 00:00:47.560
010 RxKByte 0x2115 0xc005 Rx<-- Prot 000 00:00:57.010
011 RxKByte 0x2005 0xc005 Tx--> Work 000 00:00:57.010
012 RxKByte 0x2005 0x0005 Rx<-- Work 000 00:01:06.170
013 RxKByte 0x0005 0x0005 Tx--> Work 000 00:01:06.170

```

## Sample Output

```

:AS_SR7_1# tools dump aps mc-aps-ppp

pppmMcsModStarted = Yes
pppmMcsDbgDoSync = Yes
pppmMcsApsGrpHaAuditDone = Yes
pppmMcsPostHaSyncedApsGrpId = 47
pppmMcsMcApsChanCnt = 1280

pppmMcsDbgRxPktCnt = 2560
pppmMcsDbgRxPktNotProcessedCnt = 0
pppmMcsDbgRxPktInvalidCnt = 0
pppmMcsDbgInconsistentRxPktDropCnt = 0
pppmMcsDbgInconsistentTxPktDropCnt = 1176
pppmMcsDbgTxPktNotSentCnt = 0
pppmMcsDbgTxPktSentCnt = 25
pppmMcsDbgEvtDropCnt = 0
pppmMcsDbgMemAllocErrCnt = 0
pppmMcsDbgReTxCnt = 0
pppmMcsDbgReTxExpCnt = 0
pppmMcsDbgReReqCnt = 0

pppmMcsStateAckQueueCnt (curr/peek) = 0/130
pppmMcsStateReqQueueCnt (curr/peek) = 0/1280
pppmMcsStateReReqQueueCnt (curr/peek) = 0/256
pppmMcsStateTxQueueCnt (curr/peek) = 0/512
pppmMcsStateReTxQueueCnt (curr/peek) = 0/130

MC-APS Peer Info :

Grp 13 Addr 100.100.100.2 - Up
Grp 20 Addr 100.100.100.2 - Up
Grp 35 Addr 100.100.100.2 - Up
Grp 43 Addr 100.100.100.2 - Up
Grp 47 Addr 100.100.100.2 - Up

Number of ppmMcs Evt Msgs dispatched:
ctl_link_state : 0
ctl_link_up_tmr : 0
ctl_link_down_tmr : 0
ha_audit_done : 0

```

## Monitor Commands

### Sample Output

```
*A:eth_aps_sr7# tools dump aps mc-aps-signaling
```

```
MC-APS Control Debug Counters :

Ctl Pkt Rx = 0
Invalid Rx Ctl Pkt = 0
Incompatible Rx Ctl Pkt = 0
Nbr not Rx Ctl Pkt = 0
Invalid Rx Ctl Pkt Tlv = 0
Ctl Pkt Rx-ed before HaReady = 0
Not sent Tx Ctl Pkt = 0
```

```
MC-APS-LAG Debug Counters :

Ctl Pkt Rx from IOM = 0

Not processed Rx Ctl Pkt = 0
Invalid Rx Ctl Pkt = 0
Incompatible Rx Ctl Pkt = 0
Rx Ctl Pkt queueing failed = 0

Ctl Pkt Tx (direct) = 0
Ctl Pkt Tx (UDP socket) = 0
Not sent Tx Ctl Pkt = 0
```

```
Route Update = 0
Matched Route Update = 0
```

```
Msg Buf Alloc Failed = 0
```

```
MC-APS-LAG NbrRoute Entries :

NbrAddr 1.1.1.1 NextHopAddr ::
 EgressIfIndex = 0
 EgressPortId = Unknown
 app refCnt = 1
 refCntTotal = 1
```

## aps

**Syntax**    **aps**

**Context**    tools>perform

**Description**    This command enables the context to perform Automated Protection Switching (APS) operations.

## clear

**Syntax**    **clear** *aps-id* {**protect** | **working**}

**Context**    tools>perform>aps  
tools>dump>aps

**Description**    This command removes all Automated Protection Switching (APS) operational commands.

**Parameters**    *aps-id* — This option clears a specific APS on un-bundled SONET/SDH ports.

**protect** — This command clears a physical port that is acting as the protection circuit for the APS group.

**working** — This command clears a physical port that is acting as the working circuit for this APS group.

## clear

**Syntax**    **clear** *ring-id*

**Context**    tools>perform>eth-ring

**Description**    The Clear command, at the Ethernet Ring Node, is used for the following operations: a) Clearing an active local administrative command (e.g. Forced Switch or Manual Switch). b) Triggering reversion before the WTR or WTB timer expires in case of revertive operation. c) Triggering reversion in case of non-revertive operation.

**Parameters**    *ring-id* — This option clears a specific Ethernet Ring.

## exercise

**Syntax**    **exercise** *aps-id* {**protect** | **working**}

**Context**    tools>perform  
tools>dump>aps

**Description**    This command performs an exercise request on the protection or working circuit.

**Parameters**    *aps-id* — This option clears a specific APS on un-bundled SONET/SDH ports.

**protect** — This command performs an exercise request on the port that is acting as the protection circuit for the APS group.

## Monitor Commands

**working** — This command performs an exercise request on the port that is acting as the working circuit for this APS group.

### force

**Syntax** **force** *aps-id* {**protect** | **working**}

**Context**  
tools>perform  
tools>dump>aps

**Description** This command forces a switch to either the protect or working circuit

**Parameters** *aps-id* — This option clears a specific APS on un-bundled SONET/SDH ports.

**protect** — This command clears a physical port that is acting as the protection circuit for the APS group.

**working** — This command clears a physical port that is acting as the working circuit for this APS group.

### force

**Syntax** **force** *ring-id* **path** {**1** | **2**}

**Context**  
tools>perform>eth-ring

**Description** This command forces a block on the ring port where the command is issued.

### manual

**Syntax** **manual** *ring-id* **path** {**1** | **2**}

**Context**  
tools>perform>eth-ring

**Description** In the absence of a failure or FS, this command forces a block on the ring port where the command is issued.

### lockout

**Syntax** **lockout** *aps-id*

**Context**  
tools>perform  
tools>dump>aps

**Description** This command locks out the protection circuit.

**Parameters** *aps-id* — Automated Protection Switching ID

**Values** 1 — 64



## request

**Syntax** `request aps-id {protect | working}`

**Context**  
tools>perform  
tools>dump>aps

**Description** This command requests a manual switch to protection or working circuit.

**Parameters** *aps-id* — This option clears a specific APS on un-bundled SONET/SDH ports.

**protect** — This command requests a manual switch to a port that is acting as the protection circuit for the APS group.

**working** — This command requests a manual switch to a port that is acting as the working circuit for this APS group.

## eth-tunnel

**Syntax** `eth-tunnel tunnel-index [clear]`

**Context**  
tools>dump

**Description** This command displays Ethernet tunnel information.

## Sample Output

```
*A:PE-E# tools dump eth-tunnel 1

TunnelId 1 (Up/Up), Port eth-tunnel-1 (Up/Up): type g8031-1tol
NumMems 2/2, Up/Dn 0/0, active 0x1, present 0x3 baseMemPort 1/1/2
 memId 1 (P), port 1/1/2 (Up), tag 1.0(Up) status (Up/Up)
 ccCnt-sf/ok 1/1 idx 0 tunId 1
 memId 2 (S), port 2/1/2 (Up), tag 1.0(Up) status (Up/Up)
 ccCnt-sf/ok 0/0 idx 1 tunId 1

TunId = 1, state = Running, Active = Work, Now = 000 00:16:48.140
revert = 1, ReqState = NR-NULL, Pdu(Tx/Rx): 0x0f0000/0x0f0000
Defects =
Running Timers = PduReTx
Work MemId = 1 (1/1/2:1.0), state = Ok, cc = 000 00:16:23.510U
ActiveCnt = 4, ActiveSeconds = 791
Protect MemId = 2 (2/1/2:1.0), state = Ok, cc = 000 00:09:47.560U
ActiveCnt = 3, ActiveSeconds = 308
DbgCnts: swoEv = 2, wMemSts = 2, pMemSts = 0
rxPdu (valid/Invalid) = 4/0, wSfClr = 1, pSfClr = 0, wtrExp = 1
cm = 0, cmClr = 0, pm = 0, pmClr = 0, nr = 0, nrClr = 0
Seq Event TxPdu RxPdu Dir Act Time
=== ===== =====
000 wMemSts 0xbf0101 wSF 0x0f0000 NR Tx--> Prot 000 00:16:12.450
001 RxPdu 0xbf0101 wSF 0x0f0101 NR Rx<-- Prot 000 00:16:12.450
002 RxPdu 0xbf0101 wSF 0xbf0101 wSF Rx<-- Prot 000 00:16:12.480
003 RxPdu 0xbf0101 wSF 0x0f0101 NR Rx<-- Prot 000 00:16:24.890
004 wSfClr 0x5f0101 WTR 0x0f0101 NR Tx--> Prot 000 00:16:25.030
```

## Monitor Commands

```
005 WTR 0x0f0000 NR 0x0f0101 NR Tx--> Work 000 00:16:26.630
006 RxPdu 0x0f0000 NR 0x0f0000 NR Rx<-- Work 000 00:16:26.630
*A:PE-E#
```

## frame-relay

**Syntax** `frame-relay port-id`

**Context** This command displays frame-relay information.

**Parameters** *port-id* — Specifies the physical port ID.

**Syntax:** `slot/mda/port[.channel]`

### Sample Output

```
tools dump frame-relay bundle-fr-1/1.1

MLFR info for bundle-fr-1/1.1:
 expectedBundleIdStr : "7750-bundle-fr-1/1.1"
 bundleId : 1
 active/configured : 4/4
 adminEnabled : 1
 ddDebDownCnt : 10
 ddMaxForBundle : 0
 fwdId : 0
 linkDebugMask : 0

----- Member Information -----

1/1/1.1.1.1 PortId = 0x22208056
 Internal ID : bundle 1, link 1
 Link protocol state : Up
 Diff delay state : Yellow
 ddRedCnt : 0
 ddYellowCnt : 11
 Smoothed diff delay : 20 ms.
 Historical RTT : 22788, 22756, 22752 us.
 Rx LinkId : "1/1/1.1.1.1"
 WARNING : dbgDelay=20 ms
 LIP CTL Messages : Tx: 136 Rx: 135
 Hello Messages : Tx: 121 Rx: 12
 Hello Ack Messages : Tx: 12 Rx: 121
 AddLink Messages : Tx: 2 Rx: 1
 AddLinkAck Messages : Tx: 1 Rx: 1
 AddLinkRej Messages : Tx: 0 Rx: 0

1/1/1.1.2.1 PortId = 0x22208077
 Internal ID : bundle 1, link 2
 Link protocol state : Up
 Diff delay state : OK
 Smoothed diff delay : 0 ms.
 Historical RTT : 2271, 2304, 2309 us.
 Rx LinkId : "1/1/1.1.2.1"
 LIP CTL Messages : Tx: 136 Rx: 135
```

```

Hello Messages : Tx: 121 Rx: 12
Hello Ack Messages : Tx: 12 Rx: 121
AddLink Messages : Tx: 2 Rx: 1
AddLinkAck Messages : Tx: 1 Rx: 1
AddLinkRej Messages : Tx: 0 Rx: 0
1/1/1.1.3.1 PortId = 0x22208098
Internal ID : bundle 1, link 4
Link protocol state : Up
Diff delay state : OK
Smoothed diff delay : 0 ms.
Historical RTT : 2218, 2223, 2359 us.
Rx LinkId : "1/1/1.1.3.1"
LIP CTL Messages : Tx: 14 Rx: 13
Hello Messages : Tx: 8 Rx: 1
Hello Ack Messages : Tx: 1 Rx: 8
AddLink Messages : Tx: 3 Rx: 1
AddLinkAck Messages : Tx: 1 Rx: 2
AddLinkRej Messages : Tx: 0 Rx: 0
1/1/1.1.4.1 PortId = 0x222080b9
Internal ID : bundle 1, link 3
Link protocol state : Up
Diff delay state : OK
Smoothed diff delay : 0 ms.
Historical RTT : 2248, 2242, 2309 us.
Rx LinkId : "1/1/1.1.4.1"
LIP CTL Messages : Tx: 14 Rx: 13
Hello Messages : Tx: 8 Rx: 1
Hello Ack Messages : Tx: 1 Rx: 8
AddLink Messages : Tx: 3 Rx: 1
AddLinkAck Messages : Tx: 1 Rx: 2
AddLinkRej Messages : Tx: 0 Rx: 0

```

## lag

**Syntax** `lag lag-id lag-id`

**Context** `tools>dump`

**Description** This command dumps LAG information.

**Parameters** *lag-id* — Specifies the LAG ID.

**Values** 1..200

## map-to-phy-port

**Syntax** `map-to-phy-port {ccag ccag-id | lag lag-id | eth-tunnel tunnel-index} {isid isid [end-isid isid] | service service-id | svc-name [end-service service-id | svc-name]} [summary]`

**Context** `tools>dump`

**Description** This command provides the ability to respond to a query to provide the link in a LAG/Ethernet tunnel (loadsharing protection mode)/CCAG that is currently assigned to a given service-id or ISID.

## Monitor Commands

- Parameters** *lag-id* — Specifies the LAG ID.  
**Values** 1..200
- isid* — Specifies the ISID.  
**Values** 0..16777215
- service-id* — Specifies the service ID.  
**Values** 1..2147483648, 64 char max
- tunnel-index* — Specifies the tunnel index.  
**Values** 1..1024
- ccag-id* — Specifies the CCAG ID.  
**Values** 1..8

## ppp

**Syntax** **ppp** *port-id*

**Context** tools>dump

**Description** This command displays PPP information for a port.

**Parameters** *port-id* — Specifies the physical port ID.

**Syntax:** *slot/mda/port[.channel]*

### Sample Output

```
*A:sr7# tools dump ppp aps-1.1.1.1
=====
Id : aps-1.1.1.1 ppp unit : 40
member of : bpgrp-ppp-1
=====
looped back : no dbgMask : 0x0

LCP

phase : NETWORK state : OPENED
passive : off silent : off
restart : on

mru : 1500 mtu : 1502
ack'd peer mru : 1500
got local mrru : 1524
local magic : 0x0 peer magic : 0x0

keepalive : on echo num : 2
echo timer : on echos fail : 3
echo intv : 10 echos pend : 0

options mru asyncMap upap chap magic pfc
```

```

we negotiate Yes No No No No Yes
peer ack'd Yes No No No No
we allow Yes No No No Yes
we ack'd Yes No No No No

options acfc lqr mrru shortSeq endPoint mlhdrfmt
we negotiate Yes No Yes No Yes No
peer ack'd No No Yes No Yes No
we allow Yes No Yes Yes Yes No
we ack'd No No Yes No Yes No
=====
*A:sr7#

```

## redundancy

**Syntax** **redundancy**

**Context** tools>dump

**Description** This command enables the context to dump redundancy parameters.

## multi-chassis

**Syntax** **multi-chassis**

**Context** tools>dump>redundancy

**Description** This command enables the context to dump multi-chassis parameters.

## mc-ring

**Syntax** **mc-ring**

**Context** tools>dump>redundancy>multi-chassis

**Description** This command dumps multi-chassis ring data.

## sync-database

**Syntax** **sync-database** [**peer** *ip-address*] [**port** *port-id* | *lag-id*] [**sync-tag** *sync-tag*] [**application** {**dhcps** | **igmp** | **igmp-snooping** | **srrp** | **sub-mgmt** | **mld-snooping** | **mc-ring**}] [**detail**] [**type** {**alarm-deleted** | **local-deleted**}]

**Context** tools>dump>redundancy>multi-chassis

**Description** This command dumps multi-chassis sync database information.

## Monitor Commands

- Parameters**
- peer** *ip-address* — Dumps the specified address of the multi-chassis peer.
  - port** *port-id* — Dumps the specified port ID of the multi-chassis peer.
  - port** *lag-id* — Dumps the specified Link Aggregation Group (LAG) on this system.
  - sync-tag** *sync-tag* — Dumps the synchronization tag used while synchronizing this port with the multi-chassis peer.
  - application** — Dumps the specified application information that was synchronized with the multi-chassis peer.
    - Values**      dhcps, igmp, igmp-snooping, mc-ring, srrp, sub-mgmt, mld-snooping, all
  - detail** — Displays detailed information.
  - alarm-deleted/local-deleted* — Filters by entry type.

### Sample Output

```
A:Dut-C# tools dump redundancy multi-chassis sync-database application

<ip-address> : a.b.c.d
<port-id|lag-id> : slot/mda/port or lag-<lag-id>
<sync-tag> : [32 chars max]
<application> : dhcp-server - local dhcp server
 igmp - internet group management protocol
 igmp-snooping - igmp-snooping
 mc-ring - multi-chassis ring
 mld - multicast listener discovery
 mld-snooping - multicast listener discovery-snooping
 srrp - simple router redundancy protocol
 sub-host-trk - subscriber host tracking
 sub-mgmt-ipoe - subscriber management for IPoE
 sub-mgmt-pppoe - subscriber management for PPPoE
 mc-ipsec - multi-chassis IPsec

<detail> : keyword - displays detailed information
<type> : alarm-deleted|local-deleted|global-deleted|
 omcr-standby|omcr-alarmed
```

## srrp-sync-data

- Syntax**      **srrp-sync-database** [**instance** *instance-id*] [**peer** *ip-address*]
- Context**      tools>dump>redundancy>multi-chassis
- Description**    This command dumps multi-chassis SRRP sync database information.
- Parameters**    *instance-id* — Specifies the instance ID.
  - Values**      1 — 4294967295
- ip-address* — Dumps the specified address (in the form of a.b.c.d).

## ima

**Syntax**    **ima**

**Context**    tools>perform

**Description**    This command allows the use of IMA operations.

## reset

**Syntax**    **reset** *bundle-id*

**Context**    tools>perform>ima

**Description**    This command sets an IMA-bundle to the Start Up state.

**Parameters**    *bundle-id* — Specifies an existing bundle ID.

**Values**    **bundle-ima-slot/mda.bundle-num**

*bundle-num* — Specifies the bundle number.

**Values**    1 — 256

## set-fabric-speed

**Syntax**    **set-fabric-speed** *speed*

**Context**    tools>perform

**Description**    This command sets fabric speed.

---

## Debug Commands

### lmi (frame-relay)

**Syntax** `lmi [port-id]`  
**no lmi**

**Context** debug>frame-relay

**Description** This debug command enables tracing of all the LMI messages in both receive and transmit directions for one or all of the Frame Relay interfaces. All types of Frame Relay interfaces are supported. If the port ID is not specified, debug is enabled on all Frame Relay interfaces.

The **no** form of the command turns off LMI and Frame-Relay debugging, **debug>frame-relay>no lmi** and **debug>no frame-relay**.

**Parameters** *port-id* — Specifies the ILMI-supporting port ID.

**Syntax:** `slot/mda/port[.channel]`

#### Sample Output

```
2959 2007/04/11 23:01:34.63 MINOR: DEBUG #2001 - FR
"FR: TX STATUS Msg on dce Port: 1/1/1 LMI: itu
FR Hdr: 00 01 03 08 00 7D
Rpt IE: 51 01 01 LINK_INT_VERIFY
KA IE: 53 02 31 45 TxSeqNo=49 RxSeqNo=69"
```

```
2960 2007/04/11 23:01:44.63 MINOR: DEBUG #2001 - FR
"FR: RX STATUS ENQ Msg on dce Port: 1/1/1 LMI: itu
FR Hdr: 00 01 03 08 00 75
Rpt IE: 51 01 01 LINK_INT_VERIFY
KA IE: 53 02 46 31 TxSeqNo=70 RxSeqNo=49"
```

### ilmi (atm)

**Syntax** **[no]** `ilmi port-id`

**Context** debug>atm

**Description** This command enables debugging for ATM ILMI.

The **no** form of the command turns off ILMI and debugging,.

**Parameters** *port-id* — Specifies the ILMI-supporting port ID.

**Values** `slot/mda/port[.channel]`



**Sample Output**

```

A:CHRISILMI# debug atm no ilmi 1/2/2
A:CHRISILMI# debug atm ilmi 1/2/4

In kernel:
ILMI_DEBUG_LOG {557907970}: 21:32:28
PDU DUMP (RAW):
 30 77 02 01 00 04 04 49 4c 4d 49 a4
 6c 06 07 2b 06 01 04 01 82 61 40 04
 00 00 00 00 02 01 06 02 01 02 43 03
 1b 24 b1 30 50 30 12 06 0d 2b 06 01
 04 01 82 61 02 05 01 01 01 00 02 01
 00 30 12 06 0d 2b 06 01 04 01 82 61
 02 05 01 01 03 00 02 01 21 30 12 06
 0d 2b 06 01 04 01 82 61 02 05 01 01
 02 00 02 01 00 30 12 06 0d 2b 06 01
 04 01 82 61 02 05 01 01 04 00 02 01

00 00 00
PDU DUMP (DECODED):
 PDU Length: 123
 Community: ILMI
 Version: 1
 Msg Type: SNMP TRAP
 ObjectId: 1.3.6.1.4.1.353.2.5.1.1.1.0
 ObjectId: 1.3.6.1.4.1.353.2.5.1.1.3.0
 ObjectId: 1.3.6.1.4.1.353.2.5.1.1.2.0
 ObjectId: 1.3.6.1.4.1.353.2.5.1.1.4.0
 ...

```

**cisco-hdlc**

**Syntax** **cisco-hdlc** [*port-id*]  
**no cisco-hdlc**

**Context** debug

**Description** This command configures debugging for Cisco-HDLC encapsulation.

**Parameters** *port-id* — Specifies the physical port ID.

**Syntax:** *slot/mda/port[.channel]*

## Monitor Commands

### lag

**Syntax** **lag** [**lag-id** *lag-id* [**port** *port-id*]] [**all**]  
**lag** [**lag-id** *lag-id* [**port** *port-id*]] [**sm**] [**pkt**] [**cfg**] [**red**] [**iom-upd**] [**port-state**] [**timers**] [**sel-logic**]  
[**mc**] [**mc-pkt**]  
**no lag** [**lag-id** *lag-id*]

**Context** debug

**Description** This command enables debugging for LAG.

**Parameters** *lag-id* — Specifies the link aggregation group ID.

*port-id* — Specifies the physical port ID.

**Syntax:** *slot/mda/port[.channel]*

**sm** — Specifies to display trace LACP state machine.

**pkt** — Specifies to display trace LACP packets.

**cfg** — Specifies to display trace LAG configuration.

**red** — Specifies to display trace LAG high availability.

**iom-upd** — Specifies to display trace LAG IOM updates.

**port-state** — Specifies to display trace LAG port state transitions.

**timers** — Specifies to display trace LAG timers.

**sel-logic** — Specifies to display trace LACP selection logic.

**mc** — Specifies to display multi-chassis parameters.

**mc-packet** — Specifies to display the MC-LAG control packets with valid authentication were received on this system.

### lmi

**Syntax** **lmi** [*port-id*]  
**no lmi**

**Context** debug>frame-relay

**Description** This debug command enables tracing of all the LMI messages in both receive and transmit directions for one or all of the Frame Relay interfaces. All types of Frame Relay interfaces are supported. If the port ID is not specified, debug is enabled on all Frame Relay interfaces.

The **no** form of the command turns off LMI and Frame-Relay debugging, **debug>frame-relay>no lmi** and **debug>no frame-relay**.

**Parameters** *port-id* — Specifies the ILMI-supporting port ID.

**Syntax:** *slot/mda/port[.channel]*

**Sample Output**

```
2959 2007/04/11 23:01:34.63 MINOR: DEBUG #2001 - FR
"FR: TX STATUS Msg on dce Port: 1/1/1 LMI: itu
FR Hdr: 00 01 03 08 00 7D
Rpt IE: 51 01 01 LINK_INT_VERIFY
KA IE: 53 02 31 45 TxSeqNo=49 RxSeqNo=69"
```

```
2960 2007/04/11 23:01:44.63 MINOR: DEBUG #2001 - FR
"FR: RX STATUS ENQ Msg on dce Port: 1/1/1 LMI: itu
FR Hdr: 00 01 03 08 00 75
Rpt IE: 51 01 01 LINK_INT_VERIFY
KA IE: 53 02 46 31 TxSeqNo=70 RxSeqNo=49"
```

**frf16**

**Syntax** [no] **frf16** *port-id*

**Context** debug>frame-relay

**Description** This command enables tracing of all FRF16 compliant MLFR link integrity protocol messages in both the receive and transmit directions on a specific member link of an MLFR bundle. The **no** form of the command turns off MLFR debugging.

**Parameters** *port-id* — Specifies the port ID of the FRF16 bundle member link.

**Syntax:** *slot/mda/port[.channel]*

**Sample Output**

```
1 2009/02/18 10:39:42.74 UTC MINOR: DEBUG #2001 Base MLFR
"MLFR: [_LIP_ParseRxFrame]
RxMsg <bundle-fr-1/1.1:1/1/1.0x56> <state-0: Up>
<MsgType-5:HelloAck>
 <ie-03: MagicNum>,<len 06>, <27002>
 <ie-05: TimeStamp>,<len 06>, <0x4b1c4558>"
```

```
2 2009/02/18 10:39:43.73 UTC MINOR: DEBUG #2001 Base MLFR
"MLFR: [_LIP_TxFrame]
TxMsg <bundle-fr-1/1.1:1/1/1.0x56> <state-0: Up>
<MsgType-4:Hello>
 <ie-03: MagicNum>,<len 06>, <31104>
 <ie-05: TimeStamp>,<len 06>, <0x5d804569>"
```

```
3 2009/02/18 10:39:43.73 UTC MINOR: DEBUG #2001 Base MLFR
"MLFR: [_LIP_ParseRxFrame]
RxMsg <bundle-fr-1/1.1:1/1/1.0x56> <state-0: Up>
<MsgType-5:HelloAck>
 <ie-03: MagicNum>,<len 06>, <27002>
 <ie-05: TimeStamp>,<len 06>, <0x5d804569>"
```

## Monitor Commands

### ppp

**Syntax** [no] ppp *port-id*

**Context** debug

**Description** This command enables/disables and configures debugging for PPP.

**Parameters** *port-id* — Specifies the physical port ID

**Syntax:**

- port-id* slot/mda/port[.channel]
- aps-id* *aps-group-id*[.channel]
  - aps keyword
  - group-id 1 — 64
- bundle ID*bundle-type-slot/mda.bundle-num*
  - bpgrp-type-bpgrp-num*
  - bundle keyword
  - bundle-num 1 — 256 (16 for 7750 SR-c12/4)
  - type ppp

# Standards and Protocol Support

---

## Ethernet Standards

IEEE 802.1ab-REV/D3 Station and Media Access Control Connectivity Discovery  
IEEE 802.1d Bridging  
IEEE 802.1p/Q VLAN Tagging  
IEEE 802.1s Multiple Spanning Tree  
IEEE 802.1w Rapid Spanning Tree Protocol  
IEEE 802.1x Port Based Network Access Control  
IEEE 802.1ad Provider Bridges  
IEEE 802.1ah Provider Backbone Bridges  
IEEE 802.1ag Service Layer OAM  
IEEE 802.3ah Ethernet in the First Mile  
IEEE 802.1ak Multiple MAC Registration Protocol  
IEEE 802.3 10BaseT  
IEEE 802.3ad Link Aggregation  
IEEE 802.3ae 10Gbps Ethernet  
IEEE 802.3ah Ethernet OAM  
IEEE 802.3u 100BaseTX  
IEEE 802.3x Flow Control  
IEEE 802.3z 1000BaseSX/LX  
ITU-T Y.1731 OAM functions and mechanisms for Ethernet based networks  
ITU-T G.8031 Ethernet linear protection switching  
ITU-T G.8032 Ethernet Ring Protection Switching (version 2)

## OSPF

RFC 1765 OSPF Database Overflow  
RFC 2328 OSPF Version 2  
RFC 2370 Opaque LSA Support  
RFC 2740 OSPF for IPv6 (OSPFv3)  
draft-ietf-ospf-ospfv3-update-14.txt  
RFC 3101 OSPF NSSA Option  
RFC 3137 OSPF Stub Router Advertisement  
RFC 3623 Graceful OSPF Restart – GR helper

RFC 3630 Traffic Engineering (TE) Extensions to OSPF Version 2  
RFC 4203 OSPF Extensions in Support of Generalized Multi-Protocol Label Switching (GMPLS) - (support of Link Local/Remote Identifiers and SRLG sub-TLVs)  
RFC 5185 OSPF Multi-Area Adjacency  
RFC5243 OSPF Database Summary List Optimization

## BGP

RFC 1397 BGP Default Route Advertisement  
RFC 1772 Application of BGP in the Internet  
RFC 1965 Confederations for BGP  
RFC 1997 BGP Communities Attribute  
RFC 2385 Protection of BGP Sessions via MD5  
RFC 2439 BGP Route Flap Dampening  
RFC 2558 Multiprotocol Extensions for BGP-4  
RFC 2918 Route Refresh Capability for BGP-4  
RFC 3107 Carrying Label Information in BGP-4  
RFC 3392 Capabilities Advertisement with BGP4  
RFC 4271 BGP-4 (previously RFC 1771)  
RFC 4360 BGP Extended Communities Attribute  
RFC 4364 BGP/MPLS IP Virtual Private Networks (VPNs)(previously RFC 2547bis BGP/MPLS VPNs)  
RFC 4456 BGP Route Reflection: Alternative to Full-mesh IBGP (previously RFC 1966 & 2796)  
RFC 4486 Subcodes for BGP Cease Notification Message  
RFC 4577 OSPF as the Provider/Customer Edge Protocol for BGP/MPLS IP Virtual Private Networks (VPNs)  
RFC 4659 BGP-MPLS IP Virtual Private Network (VPN) Extension for IPv6 VPN

RFC 4684 Constrained Route Distribution for Border Gateway Protocol/MultiProtocol Label Switching (BGP/MPLS) Internet Protocol (IP) Virtual Private Networks (VPNs)  
RFC 4724 Graceful Restart Mechanism for BGP – GR helper  
RFC 4760 Multi-protocol Extensions for BGP  
RFC 4798 Connecting IPv6 Islands over IPv4 MPLS Using IPv6 Provider Edge Routers (6PE)  
RFC 4893 BGP Support for Four-octet AS Number Space  
RFC 5004 Avoid BGP Best Path Transitions from One External to Another  
RFC 5065 Confederations for BGP (obsoletes 3065)  
RFC 5291 Outbound Route Filtering Capability for BGP-4  
RFC 5575 Dissemination of Flow Specification Rules  
RFC 5668 4-Octet AS Specific BGP Extended Community  
draft-ietf-idr-add-paths  
draft-ietf-idr-best-external

## IS-IS

ISO/IEC 10589:2002, Second Edition Intermediate System to Intermediate System Intra-Domain Routing Information Exchange Protocol  
RFC 1195 Use of OSI IS-IS for Routing in TCP/IP and Dual Environments  
RFC 2973 IS-IS Mesh Groups  
RFC 3359 Reserved Type, Length and Value (TLV) Codepoints in Intermediate System to Intermediate System  
RFC 3719 Recommendations for Interoperable Networks using Intermediate System to Intermediate System (IS-IS)  
RFC 3787 Recommendations for Interoperable IP Networks using

## Standards and Protocols

Intermediate System to Intermediate System (IS-IS)  
RFC 5120 M-ISIS: Multi Topology (MT) Routing in IS-IS (Partial)  
RFC 5301 Dynamic Hostname Exchange Mechanism for IS-IS  
RFC 5302 Domain-wide Prefix Distribution with Two-Level IS-IS  
RFC 5303 Three-Way Handshake for IS-IS Point-to-Point Adjacencies  
RFC 5304 IS-IS Cryptographic Authentication  
RFC 5305 IS-IS Extensions for Traffic Engineering TE  
RFC 5306 Restart Signaling for IS-IS  
RFC 5307 IS-IS Extensions in Support of Generalized Multi-Protocol Label Switching (GMPLS)  
RFC 5309 Point-to-Point Operation over LAN in Link State Routing Protocols  
RFC 6329 IS-IS Extensions Supporting IEEE 802.1aq Shortest Path Bridging (Partial)  
draft-ietf-isis-mi IS-IS Multi-Instance

### IPSec

RFC 2401 Security Architecture for the Internet Protocol  
RFC 2406 IP Encapsulating Security Payload (ESP)  
RFC 2409 The Internet Key Exchange (IKE)  
RFC 2560 X.509 Internet Public Key Infrastructure Online Certificate Status Protocol - OCSP  
RFC 3706 IKE Dead Peer Detection  
RFC 3947 Negotiation of NAT-Traversal in the IKE  
RFC 3948 UDP Encapsulation of IPsec ESP Packets  
RFC 4210 Internet X.509 Public Key Infrastructure Certificate Management Protocol (CMP)  
RFC 4211 Internet X.509 Public Key Infrastructure Certificate Request Message Format (CRMF)  
RFC 5996 Internet Key Exchange Protocol Version 2 (IKEv2)

RFC 5998 An Extension for EAP-Only Authentication in IKEv2  
draft-ietf-ipsec-isakmp-xauth-06.txt – Extended Authentication within ISAKMP/Oakley (XAUTH)  
draft-ietf-ipsec-isakmp-modecfg-05.txt – The ISAKMP Configuration Method

### IPv6

RFC 1981 Path MTU Discovery for IPv6  
RFC 2375 IPv6 Multicast Address Assignments  
RFC 2460 Internet Protocol, Version 6 (IPv6) Specification  
RFC 2461 Neighbor Discovery for IPv6  
RFC 2462 IPv6 Stateless Address Auto configuration  
RFC 2463 Internet Control Message Protocol (ICMPv6) for the Internet Protocol Version 6 Specification  
RFC 2464 Transmission of IPv6 Packets over Ethernet Networks  
RFC 2529 Transmission of IPv6 over IPv4 Domains without Explicit Tunnels  
RFC 2545 Use of BGP-4 Multiprotocol Extension for IPv6 Inter-Domain Routing  
RFC 2710 Multicast Listener Discovery (MLD) for IPv6  
RFC 2740 OSPF for IPv6  
RFC 3306 Unicast-Prefix-based IPv6 Multicast Addresses  
RFC 3315 Dynamic Host Configuration Protocol for IPv6  
RFC 3587 IPv6 Global Unicast Address Format  
RFC3590 Source Address Selection for the Multicast Listener Discovery (MLD) Protocol  
RFC 3810 Multicast Listener Discovery Version 2 (MLDv2) for IPv6  
RFC 4007 IPv6 Scoped Address Architecture  
RFC 4193 Unique Local IPv6 Unicast Addresses  
RFC 4291 IPv6 Addressing Architecture  
RFC 4552 Authentication/Confidentiality for OSPFv3  
RFC 4659 BGP-MPLS IP Virtual Private Network (VPN) Extension for IPv6 VPN

RFC 5072 IP Version 6 over PPP  
RFC 5095 Deprecation of Type 0 Routing Headers in IPv6  
RFC 5308 Routing IPv6 with IS-IS

### Multicast

RFC 1112 Host Extensions for IP Multicasting (Snooping)  
RFC 2236 Internet Group Management Protocol, (Snooping)  
RFC 3376 Internet Group Management Protocol, Version 3 (Snooping)  
RFC 2362 Protocol Independent Multicast-Sparse Mode (PIMSM)  
RFC 3618 Multicast Source Discovery Protocol (MSDP)  
RFC 3446 Anycast Rendezvous Point (RP) mechanism using Protocol Independent Multicast (PIM) and Multicast Source Discovery Protocol (MSDP)  
RFC 4601 Protocol Independent Multicast - Sparse Mode (PIM-SM): Protocol Specification (Revised)  
RFC 4604 Using IGMPv3 and MLDv2 for Source-Specific Multicast  
RFC 4607 Source-Specific Multicast for IP  
RFC 4608 Source-Specific Protocol Independent Multicast in 232/8  
RFC 4610 Anycast-RP Using Protocol Independent Multicast (PIM)  
draft-ietf-pim-sm-bsr-06.txt  
draft-rosen-vpn-mcast-15.txt Multicast in MPLS/BGP IP VPNs  
draft-ietf-mboned-msdp-mib-01.txt  
draft-ietf-l3vpn-2547bis-mcast-07: Multicast in MPLS/BGP IP VPNs  
draft-ietf-l3vpn-2547bis-mcast-bgp-05: BGP Encodings and Procedures for Multicast in MPLS/BGP IP VPNs  
RFC 3956: Embedding the Rendezvous Point (RP) Address in an IPv6 Multicast Address

### MPLS

RFC 2430 A Provider Architecture DiffServ & TE  
RFC 2474 Definition of the DS Field the IPv4 and IPv6 Headers (Rev)

RFC 2597 Assured Forwarding PHB Group (rev3260)  
 RFC 2598 An Expedited Forwarding PHB  
 RFC 3031 MPLS Architecture  
 RFC 3032 MPLS Label Stack Encoding  
 RFC 3443 Time To Live (TTL) Processing in Multi-Protocol Label Switching (MPLS) Networks  
 RFC 4182 Removing a Restriction on the use of MPLS Explicit NULL  
 RFC 3140 Per-Hop Behavior Identification Codes  
 RFC 5332 MPLS Multicast Encapsulations

#### **MPLS — LDP**

RFC 3037 LDP Applicability  
 RFC 3478 Graceful Restart Mechanism for LDP – GR helper  
 RFC 5036 LDP Specification  
 RFC 5283 LDP extension for Inter-Area LSP  
 RFC 5443 LDP IGP Synchronization  
 RFC 6388 LDP Extensions for Point-to-Multipoint and Multipoint-to-Multipoint LSP  
 RFC 6826 Multipoint LDP in-band signaling for Point-to-Multipoint and Multipoint-to-Multipoint Label Switched Paths  
 draft-pdutta-mpls-ldp-hello-reduce-04.txt, Targeted LDP Hello Reduction

#### **MPLS/RSVP-TE**

RFC 2702 Requirements for Traffic Engineering over MPLS  
 RFC2747 RSVP Cryptographic Authentication  
 RFC 2961 RSVP Refresh Overhead Reduction Extensions  
 RFC3097 RSVP Cryptographic Authentication - Updated Message Type Value  
 RFC 3209 Extensions to RSVP for Tunnels  
 RFC 3473 Generalized Multi-Protocol Label Switching (GMPLS) Signaling Resource Reservation Protocol-Traffic Engineering (RSVP-TE) Extensions –

(support of of IF\_ID RSVP\_HOP object with unnumbered interface and RSVP-TE Graceful Restart Helper Procedures)  
 RFC 3477 Signalling Unnumbered Links in Resource ReSerVation Protocol - Traffic Engineering (RSVP-TE)  
 RFC 3564 Requirements for Diff-Serv-aware TE  
 RFC 3906 Calculating Interior Gateway Protocol (IGP) Routes Over Traffic Engineering Tunnels  
 RFC 4090 Fast reroute Extensions to RSVP-TE for LSP Tunnels  
 RFC 4124 Protocol Extensions for Support of Diffserv-aware MPLS Traffic Engineering  
 RFC 4125 Maximum Allocation Bandwidth Constraints Model for Diffserv-aware MPLS Traffic Engineering  
 RFC 4127 Russian Dolls Bandwidth Constraints Model for Diffserv-aware MPLS Traffic Engineering  
 draft-newton-mpls-te-dynamic-overbooking-00 A Diffserv-TE Implementation Model to dynamically change booking factors during failure events  
 RFC 4561 Definition of a RRO Node-Id Sub-Object  
 RFC 4875 Extensions to Resource Reservation Protocol - Traffic Engineering (RSVP-TE) for Point-to-Multipoint TE Label Switched Paths (LSPs)  
 RFC 5151 Inter-domain MPLS and GMPLS Traffic Engineering – RSVP-TE Extensions  
 RFC 5712 MPLS Traffic Engineering Soft Preemption  
 RFC 5817 Graceful Shutdown in GMPLS Traffic Engineering Networks

#### **MPLS — OAM**

RFC 4379 Detecting Multi-Protocol Label Switched (MPLS) Data Plane Failures  
 RFC 6425 Detecting Data Plane Failures in Point-to-Multipoint Multiprotocol

#### **MPLS-TP**

RFC 5586 MPLS Generic Associated Channel  
 RFC 5921 A Framework for MPLS in Transport Networks  
 RFC 5960 MPLS Transport Profile Data Plane Architecture  
 RFC 6370 MPLS-TP Identifiers  
 RFC 6378 MPLS-TP Linear Protection  
 RFC 6428 Proactive Connectivity Verification, Continuity Check and Remote Defect indication for MPLS Transport Profile  
 RFC 6426 MPLS On-Demand Connectivity and Route Tracing  
 RFC 6478 Pseudowire Status for Static Pseudowires  
 draft-ietf-mpls-tp-ethernet-addressing-02 MPLS-TP Next-Hop Ethernet Addressing

#### **RIP**

RFC 1058 RIP Version 1  
 RFC 2082 RIP-2 MD5 Authentication  
 RFC 2453 RIP Version 2

#### **TCP/IP**

RFC 768 UDP  
 RFC 1350 The TFTP Protocol (Rev.  
 RFC 791 IP  
 RFC 792 ICMP  
 RFC 793 TCP  
 RFC 826 ARP  
 RFC 854 Telnet  
 RFC 951 BootP (rev)  
 RFC 1519 CIDR  
 RFC 1542 Clarifications and Extensions for the Bootstrap Protocol  
 RFC 1812 Requirements for IPv4 Routers  
 RFC 2347 TFTP option Extension  
 RFC 2328 TFTP Blocksize Option  
 RFC 2349 TFTP Timeout Interval and Transfer Size option  
 RFC 2401 Security Architecture for Internet Protocol  
 RFC 2428 FTP Extensions for IPv6 and NATs  
 RFC 3596 DNS Extensions to Support IP version 6

## Standards and Protocols

draft-ietf-bfd-mib-00.txt Bidirectional Forwarding Detection Management Information Base  
RFC 5880 Bidirectional Forwarding Detection  
RFC 5881 BFD IPv4 and IPv6 (Single Hop)  
RFC 5883 BFD for Multihop Paths  
RFC 5286 Basic Specification for IP Fast Reroute: Loop-Free Alternates

### VRRP

RFC 2787 Definitions of Managed Objects for the Virtual Router Redundancy Protocol  
RFC 3768 Virtual Router Redundancy Protocol  
draft-ietf-vrrp-unified-spec-02: Virtual Router Redundancy Protocol Version 3 for IPv4 and IPv6

### PPP

RFC 1332 PPP IPCP  
RFC 1377 PPP OSINLCP  
RFC 1638/2878 PPP BCP  
RFC 1661 PPP (rev RFC2151)  
RFC 1662 PPP in HDLC-like Framing  
RFC 1877 PPP Internet Protocol Control Protocol Extensions for Name Server Addresses  
RFC 1989 PPP Link Quality Monitoring  
RFC 1990 The PPP Multilink Protocol (MP)  
RFC 1994 "PPP Challenge Handshake Authentication Protocol (CHAP)  
RFC 2516 A Method for Transmitting PPP Over Ethernet  
RFC 2615 PPP over SONET/SDH  
RFC 2686 The Multi-Class Extension to Multi-Link PPP

### Frame Relay

FRF.1.2 - PVC User-to-Network Interface (UNI) Implementation Agreement  
FRF.5 - Frame Relay/ATM PVC Network Interworking Implementation  
ANSI T1.617 Annex D, DSS1 — Signalling Specification For Frame Relay Bearer Service.  
FRF2.2 - PVC Network-to-Network Interface (NNI) Implementation Agreement.

FRF.12 Frame Relay Fragmentation Implementation Agreement  
FRF.16.1 Multilink Frame Relay UNI/ NNI Implementation Agreement  
ITU-T Q.933 Annex A- Additional procedures for Permanent Virtual Connection (PVC) status management

### ATM

RFC 1626 Default IP MTU for use over ATM AAL5  
RFC 2514 Definitions of Textual Conventions and OBJECT\_IDENTITIES for ATM Management  
RFC 2515 Definition of Managed Objects for ATM Management  
RFC 2684 Multiprotocol Encapsulation over ATM Adaptation Layer 5  
AF-TM-0121.000 Traffic Management Specification Version 4.1  
ITU-T Recommendation I.610 - B-ISDN Operation and Maintenance Principles and Functions version 11/95  
ITU-T Recommendation I.432.1 – BISDN user-network interface – Physical layer specification: General characteristics  
GR-1248-CORE - Generic Requirements for Operations of ATM Network Elements (NEs). Issue 3  
GR-1113-CORE - Bellcore, Asynchronous Transfer Mode (ATM) and ATM Adaptation Layer (AAL) Protocols Generic Requirements, Issue 1  
AF-ILMI-0065.000 Integrated Local Management Interface (ILMI) Version 4.0  
AF-TM-0150.00 Addendum to Traffic Management v4.1 optional minimum desired cell rate indication for UBR  
AF-PHY-0086.001, Inverse Multiplexing for ATM (IMA) Specification Version 1.1

### DHCP

RFC 2131 Dynamic Host Configuration Protocol (REV)  
RFC 3046 DHCP Relay Agent Information Option (Option 82)

RFC 1534 Interoperation between DHCP and BOOTP

### Policy Management and Credit Control

3GPP TS 29.212 - Policy and Charging Control (PCC) over Gx/Sd Reference Point (Release 11) - Gx support as it applies to wireline environment (BNG)  
RFC 3588 – Diameter Base Protocol  
RFC 4006 – Diameter Credit Control Application

### NAT

RFC 6333 Dual-Stack Lite Broadband Deployments Following IPv4 Exhaustion  
RFC 6334 Dynamic Host Configuration Protocol for IPv6 (DHCPv6) Option for Dual-Stack Lite  
RFC 6888 Common Requirements For Carrier-Grade NATs (CGNs)  
RFC 5508 NAT Behavioral Requirements for ICMP  
RFC 5382 NAT Behavioral Requirements for TCP  
RFC 6146 Stateful NAT64

### VPLS

RFC 4762 Virtual Private LAN Services Using LDP  
RFC 5501: Requirements for Multicast Support in Virtual Private LAN Services (previously draft-ietf-l2vpn-vpls-mcast-reqts-04)  
RFC 6074: Provisioning, Auto-Discovery, and Signaling in Layer 2 Virtual Private Networks (L2VPNs) (previously draft-ietf-l2vpn-signaling-08)  
draft-ietf-l2vpn-vpls-mcast-13.txt Multicast in VPLS  
RFC 7041 Extensions to the Virtual Private LAN Service (VPLS) Provider Edge (PE) Model for Provider Backbone Bridging  
RFC 7117 Multicast in Virtual Private LAN Service (VPLS)

### Pseudowire

RFC 3985 Pseudo Wire Emulation Edge-to-Edge (PWE3)



RFC 4385 Pseudo Wire Emulation Edge-to-Edge (PWE3) Control Word for Use over an MPLS PSN

RFC 3916 Requirements for Pseudo-Wire Emulation Edge-to-Edge (PWE3)

RFC 4717 Encapsulation Methods for Transport ATM over MPLS Networks (draft-ietf-pwe3-atm-encap-10.txt)

RFC 4816 PWE3 ATM Transparent Cell Transport Service (draft-ietf-pwe3-cell-transport-04.txt)

RFC 4448 Encapsulation Methods for Transport of Ethernet over MPLS Networks (draft-ietf-pwe3-ethernet-encap-11.txt)

RFC 4619 Encapsulation Methods for Transport of Frame Relay over MPLS Networks (draft-ietf-pwe3-frame-relay-07.txt)

RFC 4446 IANA Allocations for PWE3

RFC 4447 Pseudowire Setup and Maintenance Using LDP (draft-ietf-pwe3-control-protocol-17.txt)

RFC 5085, Pseudowire Virtual Circuit Connectivity Verification (VCCV): A Control Channel for Pseudowires

RFC 5659 An Architecture for Multi-Segment Pseudowire Emulation Edge-to-Edge  
draft-ietf-l2vpn-vpws-iw-oam-03.txt, OAM Procedures for VPWS Interworking

draft-ietf-pwe3-mpls-eth-oam-iwk-07.txt, MPLS and Ethernet OAM Interworking RFC6073, Segmented Pseudowire

draft-ietf-pwe3-dynamic-ms-pw-16.txt , Dynamic Placement of Multi Segment Pseudo Wires

RFC 6310, Pseudowire (PW) OAM Message Mapping

RFC6391 Flow Aware Transport of Pseudowires over an MPLS PSN

RFC 6575, ARP Mediation for IP Interworking of Layer 2 VPN

RFC 6718, Pseudowire Redundancy

RFC 6870, Pseudowire Preferential Forwarding Status bit

MFA Forum 9.0.0 The Use of Virtual trunks for ATM/MPLS Control Plane Interworking

MFA Forum 12.0.0 Multiservice Interworking - Ethernet over MPLS

MFA forum 13.0.0 - Fault Management for Multiservice Interworking v1.0

MFA Forum 16.0.0 – Multiservice Interworking - IP over MPLS

#### **ANCP/L2CP**

RFC5851 ANCP framework  
draft-ietf-ancp-protocol-02.txt ANCP Protocol

#### **Voice /Video Performance:**

ITU-T G.107 The E Model- A computational model for use in planning.

ETSI TS 101 329-5 Annex E extensions- QoS Measurement for VoIP - Method for determining an Equipment Impairment Factor using Passive Monitoring

ITU-T Rec. P.564 - Conformance testing for voice over IP transmission quality assessment models

ITU-T G.1020 - Appendix I- Performance Parameter Definitions for Quality of Speech and other Voiceband Applications Utilizing IP Networks- Mean Absolute Packet Delay Variation.& Markov Models.

RFC 3550 Appendix A.8- RTP: A Transport Protocol for Real-Time Applications- Estimating the Interarrival Jitter.

#### **Circuit Emulation**

RFC 4553 Structure-Agnostic Time Division Multiplexing (TDM) over Packet (SAToP)

RFC 5086 Structure-Aware Time Division Multiplexed (TDM) Circuit Emulation Service over Packet Switched Network (CESoPSN)

MEF-8 Implementation Agreement for the Emulation of PDH Circuits over Metro Ethernet Networks, October 2004

RFC 5287 Control Protocol Extensions for the Setup of Time-Division Multiplexing (TDM) Pseudowires in MPLS Networks

#### **SONET/SDH**

ITU-G.841 Telecommunication Standardization Section of ITU, Types and Characteristics of SDH Networks Protection Architecture, issued in October 1998 and as augmented by Corrigendum1 issued in July 2002

#### **AAA**

RFC 2865 Remote Authentication Dial In User Service

RFC 2866 RADIUS Accounting  
draft-grant-tacacs-02.txt

#### **SSH**

RFC 4250 The Secure Shell (SSH) Protocol Protocol Assigned Numbers

RFC 4251 The Secure Shell (SSH) Protocol Architecture

RFC 4254 The Secure Shell (SSH) Connection Protocol

#### **OpenFlow**

ONF OpenFlow Switch Specification version 1.3.1 (Hybrid-switch/ FlowTable)

#### **Timing**

GR-253-CORE SONET Transport Systems: Common Generic Criteria. Issue 3, September 2000

ITU-T G.781 Telecommunication Standardization Section of ITU, Synchronization layer functions, issued 09/2008

ITU-T G.813 Telecommunication Standardization Section of ITU, Timing characteristics of SDH equipment slave clocks (SEC), issued 03/2003.

GR-1244-CORE Clocks for the Synchronized Network: Common Generic Criteria, Issue 3, May 2005

ITU-T G.8261 Telecommunication Standardization Section of ITU, Timing and synchronization aspects in packet networks, issued 04/2008.

ITU-T G.8262 Telecommunication Standardization Section of ITU, Timing characteristics of synchronous Ethernet equipment slave clock (EEC), issued 08/2007.

## Standards and Protocols

ITU-T G.8264 Telecommunication Standardization Section of ITU, Distribution of timing information through packet networks, issued 10/2008.

ITU-T G.8265.1 Telecommunication Standardization Section of ITU, Precision time protocol telecom profile for frequency synchronization, issued 10/2010.

IEEE 1588-2008, IEEE Standard for a Precision Clock Synchronization Protocol for Networked Measurement and Control Systems

### Network Management

ITU-T X.721: Information technology-OSI-Structure of Management Information

ITU-T X.734: Information technology-OSI-Systems Management: Event Report Management Function

M.3100/3120 Equipment and Connection Models

TMF 509/613 Network Connectivity Model

RFC 1157 SNMPv1

RFC 1215 A Convention for Defining Traps for use with the SNMP

RFC 1657 BGP4-MIB

RFC 1724 RIPv2-MIB

RFC 1850 OSPF-MIB

RFC 1907 SNMPv2-MIB

RFC 2011 IP-MIB

RFC 2138 RADIUS

RFC 2206 RSVP-MIB

RFC 2452 IPv6 Management Information Base for the Transmission Control Protocol

RFC 2465 Management Information Base for IPv6: Textual Conventions and General Group

RFC 2558 SONET-MIB

RFC 2571 SNMP-FRAMEWORKMIB

RFC 2572 SNMP-MPD-MIB

RFC 2573 SNMP-TARGET-&-NOTIFICATION-MIB

RFC 2574 SNMP-USER-BASED-SMMIB

RFC 2575 SNMP-VIEW-BASED-ACM-MIB

RFC 2576 SNMP-COMMUNITY-MIB

RFC 2578 Structure of Management Information Version 2 (SMIv2)

RFC 2665 EtherLike-MIB

RFC 2819 RMON-MIB

RFC 2863 IF-MIB

RFC 2864 INVERTED-STACK-MIB

RFC 2987 VRRP-MIB

RFC 3014 NOTIFICATION-LOGMIB

RFC 3019 IP Version 6 Management Information Base for The Multicast Listener Discovery Protocol

RFC 3164 Syslog

RFC 3273 HCRMON-MIB

RFC 3411 An Architecture for Describing Simple Network Management Protocol (SNMP) Management Frameworks

RFC 3412 - Message Processing and Dispatching for the Simple Network Management Protocol (SNMP)

RFC 3413 - Simple Network Management Protocol (SNMP) Applications

RFC 3414 - User-based Security Model (USM) for version 3 of the Simple Network Management Protocol (SNMPv3)

RFC 3418 - SNMP MIB

RFC 3826 The Advanced Encryption Standard (AES) Cipher Algorithm in the SNMP User-based Security Model

RFC 4113 Management Information Base for the User Datagram Protocol (UDP)

RFC 4292 IP-FORWARD-MIB

RFC 4293 MIB for the Internet Protocol

RFC 5101 - Specification of the IP Flow Information Export (IPFIX) Protocol for the Exchange of IP Traffic Flow Information

RFC 6241: NETCONF Configuration Protocol

RFC 6242 Using the NETCONF Protocol over Secure Shell (SSH)

draft-ietf-ospf-mib-update-04.txt

draft-ietf-mpls-lsr-mib-06.txt

draft-ietf-mpls-te-mib-04.txt

draft-ietf-mpls-ldp-mib-07.txt

draft-ietf-isis-wg-mib-06 Management Information Base for Intermediate System to Intermediate System (IS-

IS)  
IANA-IFTtype-MIB  
IEEE8023-LAG-MIB

# Index

## NUMERICS

- 802.1x 43
- 802.3ah OAM 141

## A

- APS 71
- ASAP 27
- Automatic Protection Switching 71

## C

- card commands 248
- Card, MDA, Port
  - overview 19
    - chassis slots and cards 19
    - MDAs 20
    - MTU configuration guidelines 152
    - preprovisioning
      - chassis slots and cards 19
- configuring
  - basic 164
  - LAG 238
  - management tasks 242
  - MDA pool parameters 172
  - port
    - channelized port
      - CHOC12 194
    - channelized ports 185
      - DS3 191
    - Ethernet 180
      - access port 181
      - network port 180
    - pool parameters 174, 178
    - SONET/SDH 182
      - access port 184
      - network port 183
  - command reference
    - card commands 248, 250
    - MDA commands 248, 250
    - port commands 254
    - SONET/SDH commands 266
    - TDM commands 269

- cards and MDAs 168
  - ports 174

- channelized MDAs 26
- Cisco HDLC 68
- CMAs 21

## D

- DDM 30

## E

- E-LMI 104

## H

- hashing 117

## I

- IMA 101

## L

- LAG 109
  - configuring 238
  - command reference 276
  - hashing 117

## M

- MC-MLPPP 61
- MLPPP 56
- multi-chassis LAG 131

## O

- oversubscribed MDAs 24

## P

- port types 37
- ports
  - 37
  - features 41
  - types 37

## Index

[preprovisioning guidelines](#) 161

### S

[soft IOM reset](#) 245

[SRRP](#) 135

### V

[VSM](#) 23