

# Virtual Private LAN Service

---

## In This Chapter

This chapter provides information about Virtual Private LAN Service (VPLS), process overview, and implementation notes.

Topics in this chapter include:

- [VPLS Service Overview on page 359](#)
- [VPLS Features on page 363](#)
  - [VPLS Packet Walkthrough on page 360](#)
  - [VPLS Enhancements on page 363](#)
  - [VPLS over MPLS on page 364](#)
  - [VPLS Service Pseudowire VLAN Tag Processing on page 365](#)
  - [VPLS MAC Learning and Packet Forwarding on page 369](#)
  - [VPLS Using G.8031 Protected Ethernet Tunnels on page 372](#)
  - [Pseudowire Control Word on page 373](#)
  - [Table Management on page 374](#)
  - [VPLS and Spanning Tree Protocol on page 383](#)
  - [Multiple Spanning Tree on page 385](#)
  - [Egress Multicast Groups on page 392](#)
  - [VPLS Redundancy on page 402](#)
  - [Object Grouping and State Monitoring on page 420](#)
  - [MAC Flush Message Processing on page 422](#)
  - [ACL Next-Hop for VPLS on page 426](#)
  - [SDP Statistics for VPLS and VLL Services on page 427](#)
  - [BGP Auto-Discovery for LDP VPLS on page 428](#)

- Multicast-Aware VPLS on page 447
- RSVP and LDP P2MP LSP for Forwarding VPLS/B-VPLS BUM and IP Multicast Packets on page 451
- Routed VPLS and I-VPLS on page 453
  - IES or VPRN IP Interface Binding on page 453
  - IP Interface MTU and Fragmentation on page 456
  - ARP and VPLS FIB Interactions on page 457
  - The allow-ip-int-bind VPLS Flag on page 459
  - IES IP Interface VPLS Binding and Chassis Mode Interaction on page 462
  - VPRN IP Interface VPLS Binding and Forwarding Plane Constraints on page 462
  - Route Leaking Between Routing Contexts on page 462
  - Routed VPLS Caveats on page 468
- VPLS Service Considerations on page 471
  - SAP Encapsulations on page 471
  - VLAN Processing on page 471
  - Ingress VLAN Swapping on page 472
  - Service Auto-Discovery using Multiple VLAN Registration Protocol (MVRP) on page 473
  - VPLS E-Tree Services on page 483

## VPLS Service Overview

Virtual Private LAN Service (VPLS) as described in RFC 4905, *Encapsulation methods for transport of layer 2 frames over MPLS*, is a class of virtual private network service that allows the connection of multiple sites in a single bridged domain over a provider-managed IP/MPLS network. The customer sites in a VPLS instance appear to be on the same LAN, regardless of their location. VPLS uses an Ethernet interface on the customer-facing (access) side which simplifies the LAN/WAN boundary and allows for rapid and flexible service provisioning.

VPLS offers a balance between point-to-point Frame Relay service and outsourced routed services (VPRN). VPLS enables each customer to maintain control of their own routing strategies. All customer routers in the VPLS service are part of the same subnet (LAN) which simplifies the IP addressing plan, especially when compared to a mesh constructed from many separate point-to-point connections. The VPLS service management is simplified since the service is not aware of nor participates in the IP addressing and routing.

A VPLS service provides connectivity between two or more SAPs on one (which is considered a local service) or more (which is considered a distributed service) service routers. The connection appears to be a bridged domain to the customer sites so protocols, including routing protocols, can traverse the VPLS service.

Other VPLS advantages include:

- VPLS is a transparent, protocol-independent service.
- There is no Layer 2 protocol conversion between LAN and WAN technologies.
- There is no need to design, manage, configure, and maintain separate WAN access equipment, thus, eliminating the need to train personnel on WAN technologies such as Frame Relay.

## VPLS Packet Walkthrough

This section provides an example of VPLS processing of a customer packet sent across the network (Figure 43) from site-A, which is connected to PE-Router-A, to site-B, which is connected to PE-Router-C (Figure 44).

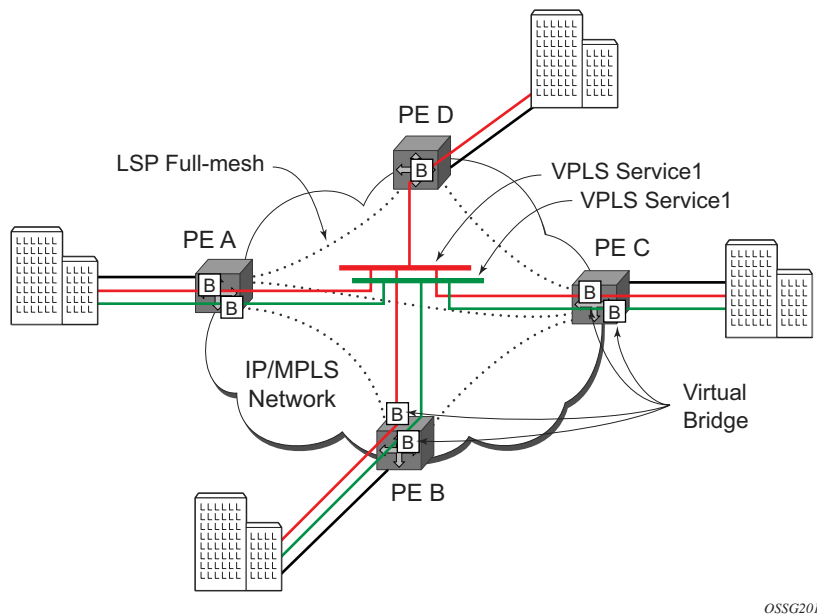


Figure 43: VPLS Service Architecture

1. PE-Router-A (Figure 44)
  - a. Service packets arriving at PE-Router-A are associated with a VPLS service instance based on the combination of the physical port and the IEEE 802.1Q tag (VLAN-ID) in the packet

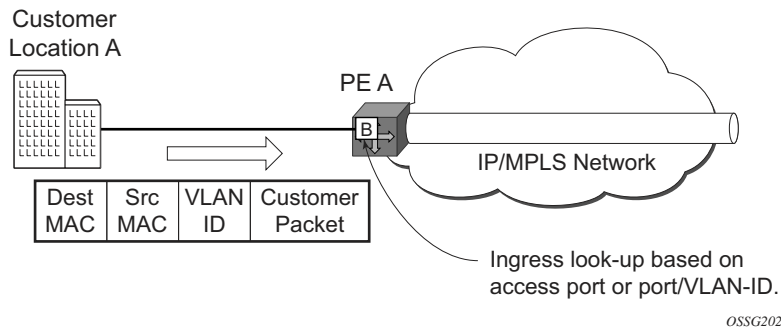


Figure 44: Access Port Ingress Packet Format and Lookup

- b. PE-Router-A learns the source MAC address in the packet and creates an entry in the FIB table that associates the MAC address to the service access point (SAP) on which it was received.
- c. The destination MAC address in the packet is looked up in the FIB table for the VPLS instance. There are two possibilities: either the destination MAC address has already been learned (known MAC address) or the destination MAC address is not yet learned (unknown MAC address).

For a Known MAC Address (Figure 45):

- d. If the destination MAC address has already been learned by PE-Router-A, an existing entry in the FIB table identifies the far-end PE-router and the service VC-label (inner label) to be used before sending the packet to far-end PE-Router-C.
- e. PE-Router-A chooses a transport LSP to send the customer packets to PE-Router-C. The customer packet is sent on this LSP once the IEEE 802.1Q tag is stripped and the service VC-label (inner label) and the transport label (outer label) are added to the packet.

For an Unknown MAC Address (Figure 45):

If the destination MAC address has not been learned, PE-Router-A will flood the packet to both PE-Router-B and PE-Router-C that are participating in the service by using the VC-labels that each PE-Router previously signaled for the VPLS instance. Note that the packet is not sent to PE-Router-D since this VPLS service does not exist on that PE-router.

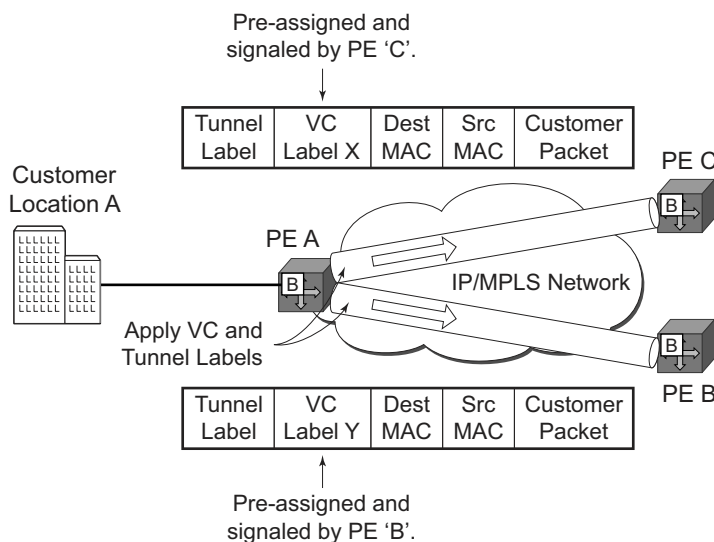


Figure 45: Network Port Egress Packet Format and Flooding

2. Core Router Switching

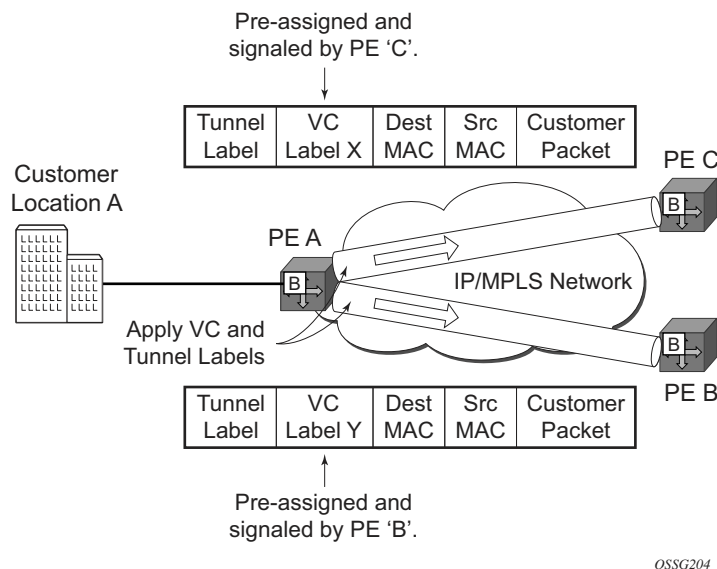
- a. All the core routers ('P' routers in IETF nomenclature) between PE-Router-A and PE-Router-B and PE-Router-C are Label Switch Routers (LSRs) that switch the packet based on the transport (outer) label of the packet until the packet arrives at far-end PE-Router. All core routers are unaware that this traffic is associated with a VPLS service.

3. PE-Router-C

- a. PE-Router-C strips the transport label of the received packet to reveal the inner VC-label. The VC-label identifies the VPLS service instance to which the packet belongs.
- b. PE-Router-C learns the source MAC address in the packet and creates an entry in the FIB table that associates the MAC address to PE-Router-A and the VC-label that PE-Router-A signaled it for the VPLS service on which the packet was received.
- c. The destination MAC address in the packet is looked up in the FIB table for the VPLS instance. Again, there are two possibilities: either the destination MAC address has already been learned (known MAC address) or the destination MAC address has not been learned on the access side of PE-Router-C (unknown MAC address).

**Known MAC address (Figure 46)**

- d. If the destination MAC address has been learned by PE-Router-C, an existing entry in the FIB table identifies the local access port and the IEEE 802.1Q tag to be added before sending the packet to customer Location-C. The egress Q tag may be different than the ingress Q tag.



**Figure 46: Access Port Egress Packet Format and Lookup**

## VPLS Features

This section features:

- [VPLS Enhancements on page 363](#)
  - [Pseudowire Control Word on page 373](#)
  - [Split Horizon SAP Groups and Split Horizon Spoke SDP Groups on page 382](#)
  - [VPLS and Spanning Tree Protocol on page 383](#)
  - [VPLS Redundancy on page 402](#)
  - [VPLS Access Redundancy on page 418](#)
  - [VCCV BFD Support for VPLS Services on page 441](#)
- 

## VPLS Enhancements

Alcatel-Lucent's VPLS implementation includes several enhancements beyond basic VPN connectivity. The following VPLS features can be configured individually for each VPLS service instance:

- Extensive MAC and IP filter support (up to Layer 4). Filters can be applied on a per SAP basis.
- Forwarding Information Base (FIB) management features on a per service level including:
  - Configurable FIB size limit
  - FIB size alarms
  - MAC learning disable
  - Discard unknown
  - Separate aging timers for locally and remotely learned MAC addresses.
- Ingress rate limiting for broadcast, multicast, and destination unknown flooding on a per SAP basis.
- Implementation of Spanning Tree Protocol (STP) parameters on a per VPLS, per SAP and per spoke SDP basis.
- A split horizon group on a per-SAP and per-spoke SDP basis.
- DHCP snooping and anti-spoofing on a per-SAP and per-SDP basis.
- IGMP snooping on a per-SAP and per-SDP basis.
- Optional SAP and/or spoke SDP redundancy to protect against node failure.

## VPLS over MPLS

The VPLS architecture proposed in RFC 4762, *Virtual Private LAN Services Using LDP Signalling* specifies the use of provider equipment (PE) that is capable of learning, bridging, and replication on a per-VPLS basis. The PE routers that participate in the service are connected using MPLS Label Switched Path (LSP) tunnels in a full-mesh composed of mesh SDPs or based on an LSP hierarchy (Hierarchical VPLS (H-VPLS)) composed of mesh SDPs and spoke SDPs.

Multiple VPLS services can be offered over the same set of LSP tunnels. Signaling specified in RFC 4905, *Encapsulation methods for transport of layer 2 frames over MPLS* is used to negotiate a set of ingress and egress VC labels on a per-service basis. The VC labels are used by the PE routers for de-multiplexing traffic arriving from different VPLS services over the same set of LSP tunnels.

VPLS is provided over MPLS by:

- Connecting bridging-capable provider edge routers with a full mesh of MPLS LSP (label switched path) tunnels.
- Negotiating per-service VC labels using *draft-Martini* encapsulation.
- Replicating unknown and broadcast traffic in a service domain.
- Enabling MAC learning over tunnel and access ports (see [VPLS MAC Learning and Packet Forwarding](#)).
- Using a separate forwarding information base (FIB) per VPLS service.



## VPLS Service Pseudowire VLAN Tag Processing

VPLS services can be connected using pseudowires that can be provisioned statically or dynamically and are represented in the system as either a mesh or a spoke SDP. The mesh and spoke SDP can be configured to process zero, one or two VLAN tags as traffic is transmitted and received. In the transmit direction VLAN tags are added to the frame being sent and in the received direction VLAN tags are removed from the frame being received. This is analogous to the SAP operations on a null, dot1q and QinQ SAP.

The system expects a symmetrical configuration with its peer, specifically it expects to remove the same number of VLAN tags from received traffic as it adds to transmitted traffic. When removing VLAN tags from a mesh or spoke SDP, the system attempts to remove the configured number of VLAN tags (see below for the configuration details); if fewer tags are found, the system removes the VLAN tags found and forwards the resulting packet. As some of the related configuration parameters are local and not communicated in the signaling plane, an asymmetrical behavior cannot always be detected and so cannot be blocked. With an asymmetrical behavior, protocol extractions will not necessarily function as they would with a symmetrical configurations resulting in an unexpected operation.

The VLAN tag processing is configured as follows on a mesh or spoke SDP in a VPLS service:

- Zero VLAN tags processed—This requires the configuration of **vc-type ether** under the mesh or spoke SDP, or in the related **pw-template**.
- One VLAN tag processed—This requires one of the following configurations:
  - **vc-type vlan** under the mesh or spoke SDP, or in the related **pw-template**.
  - **vc-type ether** and **force-vlan-vc-forwarding** under the mesh or spoke SDP, or in the related **pw-template**.
- Two VLAN tags processed—This requires the configuration of **force-qinq-vc-forwarding** under the mesh or spoke SDP, or in the related **pw-template**.

The **pw-template** configuration provides support for BGP VPLS services and LDP VPLS services using BGP Auto-Discovery.

The following restrictions apply to VLAN tag processing:

- The configuration of **vc-type vlan** and **force-vlan-vc-forwarding** is mutually exclusive.
- BGP VPLS services operate in a mode equivalent to **vc-type ether**, consequently the configuration of **vc-type vlan** in a **pw-template** for a BGP VPLS service is ignored.
- **force-qinq-vc-forwarding** can be configured with the mesh or spoke SDP signaled as either **vc-type ether** or **vc-type vlan**.
- The following are not supported with **force-qinq-vc-forwarding** configured under the mesh or spoke SDP, or in the related **pw-template**:

- Routed, Etree or PBB VPLS services.
- L2PT termination on QinQ mesh or spoke SDPs.
- IGMP/MLD/PIM snooping within the VPLS service.
- ETH-CFM MIPs and MEPs are not supported on dynamically signaled BGP QinQ PWs.

Table 8 and Table 9 describe the VLAN tag processing with respect to the zero, one and two VLAN tag configuration described above for the VLAN identifiers, Ether type, ingress QoS classification (dot1p/DE) and QoS propagation to the egress (which can be used for egress classification and/or to set the QoS information in the innermost egress VLAN tag).

**Table 8: VPLS Mesh and Spoke SDP VLAN Tag Processing: Ingress**

Ingress (received on mesh or spoke SDP)	Zero VLAN tags	One VLAN tag	Two VLAN tags
VLAN identifiers	N/A	Ignored	Both inner and outer ignored
Ether type (to determine the presence of a VLAN tag)	N/A	0x8100 or value configured under <b>sdp vlan-vc-etype</b>	Both inner and outer VLAN tags: 0x8100, or outer VLAN tag value configured under <b>sdp vlan-vc-etype</b> (inner VLAN tag value must be 0x8100)
Ingress QoS (dot1p/DE) classification	N/A	Ignored	Both inner and outer ignored
QoeE (dot1p/DE) propagation to egress	Dot1p/DE= 0	Dot1p/DE taken from received VLAN tag	Dot1p/DE taken from inner received VLAN tag

Table 9: VPLS Mesh and Spoke SDP VLAN Tag Processing: Egress

Egress (sent on mesh or spoke SDP)	Zero VLAN tags	One VLAN tag	Two VLAN tags
VLAN identifiers (set in VLAN tags)	N/A	<ul style="list-style-type: none"> <li>• the <b>vlan-vc-tag</b> value configured in <b>pw-template</b> or under the mesh/spoke SDP or</li> <li>• taken from the inner tag received on a QinQ SAP or QinQ mesh/spoke SDP or</li> <li>• taken from the VLAN tag received on a dot1q SAP or mesh/spoke SDP (with <b>vc-type vlan</b> or <b>force-vlan-vc-forwarding</b>) or</li> <li>• taken from the outer tag received on a qtag.* SAP or</li> <li>• 0 if there is no service delimiting VLAN tag at the ingress SAP or mesh/spoke SDP</li> </ul>	Both inner and outer VLAN tag: <ul style="list-style-type: none"> <li>• the <b>vlan-vc-tag</b> value configured in <b>pw-template</b> or under the mesh/spoke SDP or</li> <li>• taken from the inner tag received on a QinQ SAP or QinQ mesh/spoke SDP or</li> <li>• taken from the VLAN tag received on a dot1q SAP or mesh/spoke SDP (with <b>vc-type vlan</b> or <b>force-vlan-vc-forwarding</b>) or</li> <li>• taken from the outer tag received on a qtag.* SAP or</li> <li>• 0 if there is no service delimiting VLAN tag at the ingress SAP or mesh/spoke SDP</li> </ul>

**Table 9: VPLS Mesh and Spoke SDP VLAN Tag Processing: Egress (Continued)**

Egress (sent on mesh or spoke SDP)	Zero VLAN tags	One VLAN tag	Two VLAN tags
Ether type (set in VLAN tags)	N/A	0x8100 or value configured under <b>sdp vlan-vc-etype</b>	Both inner and outer VLAN tags: 0x8100, or outer VLAN tag value configured under <b>sdp vlan-vc-etype</b> (inner VLAN tag value will be 0x8100)
Egress QoS (dot1p/DE) (set in VLAN tags)	N/A	<p>Taken from the innermost ingress service delimiting tag:</p> <ul style="list-style-type: none"> <li>• the inner tag received on a QinQ SAP or QinQ mesh/spoke SDP or</li> <li>• taken from the VLAN tag received on a dot1q SAP or mesh/spoke SDP (with <b>vc-type vlan</b> or <b>force-vlan-vc-forwarding</b>) or</li> <li>• taken from the outer tag received on a qtag.* SAP or</li> <li>• 0 if there is no service delimiting VLAN tag at the ingress SAP or mesh/spoke SDP.</li> </ul> <p>Note that neither the inner nor outer dot1p/DE values can be explicitly set.</p>	<p>Both inner and outer dot1p/DE:</p> <p>Taken from the innermost ingress service delimiting tag:</p> <ul style="list-style-type: none"> <li>• the inner tag received on a QinQ SAP or QinQ mesh/spoke SDP or</li> <li>• taken from the VLAN tag received on a dot1q SAP or mesh/spoke SDP (with <b>vc-type vlan</b> or <b>force-vlan-vc-forwarding</b>) or</li> <li>• taken from the outer tag received on a qtag.* SAP or</li> <li>• 0 if there is no service delimiting VLAN tag at the ingress SAP or mesh/spoke SDP.</li> </ul> <p>Note that neither the inner nor outer dot1p/DE values can be explicitly set.</p>

Any non-service delimiting VLAN tags are forwarded transparently through the VPLS service. SAP egress classification is possible on the outer most customer VLAN tag received on a mesh or spoke SDP using the **ethernet-ctag** parameter in the associated SAP egress QoS policy.

## VPLS MAC Learning and Packet Forwarding

The 7750 SR and edge devices perform the packet replication required for broadcast and multicast traffic across the bridged domain. MAC address learning is performed by the 7750 SR to reduce the amount of unknown destination MAC address flooding.

7750 SR routers learn the source MAC addresses of the traffic arriving on their access and network ports.

Each 7750 SR maintains a Forwarding Information Base (FIB) for each VPLS service instance and learned MAC addresses are populated in the FIB table of the service. All traffic is switched based on MAC addresses and forwarded between all participating nodes using the LSP tunnels. Unknown destination packets (for example, the destination MAC address has not been learned) are forwarded on all LSPs to all participating nodes for that service until the target station responds and the MAC address is learned by the routers associated with that service.

---

## MAC Learning Protection

In a Layer 2 environment, subscribers connected to SAPs A, B, C can create a denial of service attack by sending packets sourcing the gateway MAC address. This will move the learned gateway MAC from the uplink SDP/SAP to the subscriber's SAP causing all communication to the gateway to be disrupted. If local content is attached to the same VPLS (D), a similar attack can be launched against it. Communication between subscribers is also disallowed but split-horizon will not be sufficient in the topology depicted in [Figure 47](#).

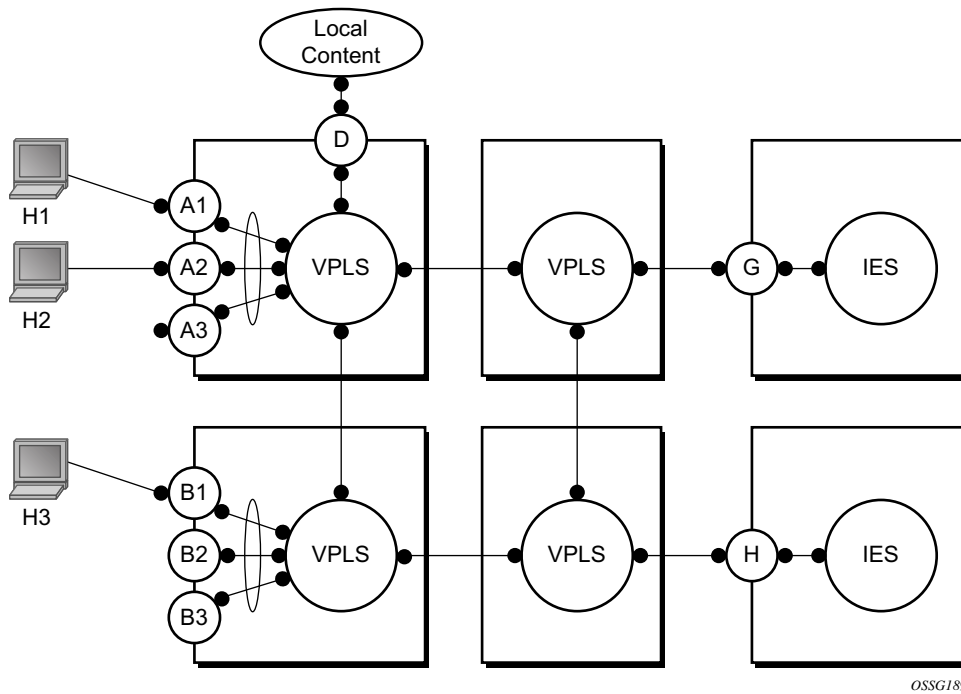


Figure 47: MAC Learning Protection

7750 SR, and nodes enable MAC learning protection capability for SAPs and SDPs. With this mechanism, forwarding and learning rules apply to the non-protected SAPs. Assume hosts H1, H2 and H3 (Figure 47) are non-protected while IES interfaces G and H are protected. When a frame arrives at a protected SAP/SDP the MAC is learned as usual. When a frame arrives from a non-protected SAP or SDP the frame must be dropped if the source MAC address is protected and the MAC address is not relearned. The system allows only packets with a protected MAC destination address.

The system can be configured statically. The addresses of all protected MACs are configured. Only the IP address can be included and use a dynamic mechanism to resolve the MAC address (cpe-ping). All protected MACs in all VPLS instances in the network must be configured.

In order to eliminate the ability of a subscriber to cause a DOS attack, the node restricts the learning of protected MAC addresses based on a statically defined list. In addition the destination MAC address is checked against the protected MAC list to verify that a packet entering a restricted SAP has a protected MAC as a destination.

## DEI in IEEE 802.1ad

IEEE 802.1ad-2005 standard allows drop eligibility to be conveyed separately from priority in Service VLAN TAGs (STAGs) so that all of the previously introduced traffic types can be marked as drop eligible. The Service VLAN TAG has a new format where the priority and discard eligibility parameters are conveyed in the three bit Priority Code Point (PCP) field and respectively in the DE Bit (Figure 48).

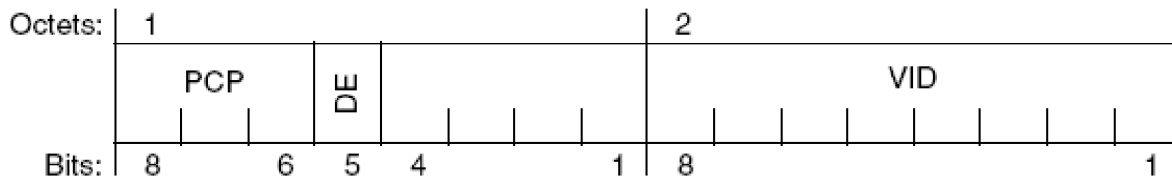


Figure 48: DE Bit in the 802.1ad S-TAG

The DE bit allows the S-TAG to convey eight forwarding classes/distinct emission priorities, each with a drop eligible indication.

When DE bit is set to 0 (DE=FALSE), the related packet is **not** discard eligible. This is the case for the packets that are within the CIR limits and must be given priority in case of congestion. If the DEI is not used or backwards compliance is required the DE bit should be set to zero on transmission and ignored on reception.

When the DE bit is set to 1 (DE=TRUE), the related packet is discard eligible. This is the case for the packets that are sent above the CIR limit (but below the PIR). In case of congestion these packets will be the first ones to be dropped.

## VPLS Using G.8031 Protected Ethernet Tunnels

The use of MPLS tunnels provides a way to scale the core while offering fast failover times using MPLS FRR. In environments where Ethernet services are deployed using native Ethernet backbones Ethernet tunnels are provided to achieve the same fast failover times as in the MPLS FRR case. There are still service provider environments where Ethernet services are deployed using native Ethernet backbones.

The Alcatel-Lucent VPLS implementation offers the capability to use core Ethernet tunnels compliant with ITU-T G.8031 specification to achieve 50 ms resiliency for backbone failures. This is required to comply with the stringent SLAs provided by service providers in the current competitive environment. The implementation also allows a LAG-emulating Ethernet Tunnel providing a complimentary native Ethernet ELAN capability. The LAG-emulating Ethernet tunnels and G.8031 protected Ethernet tunnels operate independently. (refer to LAG emulation using Ethernet Tunnels)

When using Ethernet Tunnels, the Ethernet Tunnel logical interface is created first. = The Ethernet tunnel has member ports which are the physical ports supporting the links. The Ethernet tunnel control SAPs carries G.8031 and 802.1ag control traffic and user data traffic. Ethernet Service SAPs are configured on the Ethernet tunnel. Optionally when tunnels follow the same paths end to end services may be configured with, Same-fate Ethernet tunnel SAPs which carry only user data traffic and shares the fate of the Ethernet tunnel port (if properly configured).

When configuring VPLS and BVPLS using Ethernet tunnels the services are very similar.

Refer to the *IEEE 802.1ah PBB Guide* for examples.



## Pseudowire Control Word

The control word command enables the use of the control word individually on each mesh SDP or spoke sdp. By default, the control word is disabled. When the control word is enabled, all VPLS packets, including the BPDU frames are encapsulated with the control word. The T-LDP control plane behavior will be the same as the control word for VLL services. The configuration for the two directions of the Ethernet pseudowire should match.

## Table Management

The following sections describe VPLS features related to management of the Forwarding Information Base (FIB).

---

### FIB Size

The following MAC table management features are required for each instance of a SAP or spoke SDP within a particular VPLS service instance:

- **MAC FIB size limits** — Allows users to specify the maximum number of MAC FIB entries that are learned locally for a SAP or remotely for a spoke SDP. If the configured limit is reached, then no new addresses will be learned from the SAP or spoke SDP until at least one FIB entry is aged out or cleared.
    - When the limit is reached on a SAP or spoke SDP, packets with unknown source MAC addresses are still forwarded (this default behavior can be changed by configuration). By default, if the destination MAC address is known, it is forwarded based on the FIB, and if the destination MAC address is unknown, it will be flooded. Alternatively, if discard unknown is enabled at the VPLS service level, any packets from unknown source MAC addresses are discarded at the SAP.
    - The log event SAP MAC limit reached is generated when the limit is reached. When the condition is cleared, the log event SAP MAC Limit Reached Condition Cleared is generated.
    - Disable learning allows users to disable the dynamic learning function on a SAP or a spoke SDP of a VPLS service instance.
    - Disable aging allows users to turn off aging for learned MAC addresses on a SAP or a spoke SDP of a VPLS service instance.
- 

### FIB Size Alarms

The size of the VPLS FIB can be configured with a low watermark and a high watermark, expressed as a percentage of the total FIB size limit. If the actual FIB size grows above the configured high watermark percentage, an alarm is generated. If the FIB size falls below the configured low watermark percentage, the alarm is cleared by the system.

## Local and Remote Aging Timers

Like a Layer 2 switch, learned MACs within a VPLS instance can be aged out if no packets are sourced from the MAC address for a specified period of time (the aging time). In each VPLS service instance, there are independent aging timers for locally learned MAC and remotely learned MAC entries in the forwarding database (FIB). A local MAC address is a MAC address associated with a SAP because it ingresses on a SAP. A remote MAC address is a MAC address received by an SDP from another router for the VPLS instance. The local-age timer for the VPLS instance specifies the aging time for locally learned MAC addresses, and the remote-age timer specifies the aging time for remotely learned MAC addresses.

In general, the remote-age timer is set to a longer period than the local-age timer to reduce the amount of flooding required for destination unknown MAC addresses. The aging mechanism is considered a low priority process. In most situations, the aging out of MAC addresses can happen in within tens of seconds beyond the age time. To minimize overhead, local MAC addresses on a LAG port and remote MAC addresses, in some circumstances, can take up to two times their respective age timer to be aged out.

---

## Disable MAC Aging

The MAC aging timers can be disabled which will prevent any learned MAC entries from being aged out of the FIB. When aging is disabled, it is still possible to manually delete or flush learned MAC entries. Aging can be disabled for learned MAC addresses on a SAP or a spoke SDP of a VPLS service instance.

---

## Disable MAC Learning

When MAC learning is disabled for a service, new source MAC addresses are not entered in the VPLS FIB, whether the MAC address is local or remote. MAC learning can be disabled for individual SAPs or spoke SDPs.

---

## Unknown MAC Discard

Unknown MAC discard is a feature which discards all packets ingressing the service where the destination MAC address is not in the FIB. The normal behavior is to flood these packets to all end points in the service.

Unknown MAC discard can be used with the disable MAC learning and disable MAC aging options to create a fixed set of MAC addresses allowed to ingress and traverse the service.

## VPLS and Rate Limiting

Traffic that is normally flooded throughout the VPLS can be rate limited on SAP ingress through the use of service ingress QoS policies. In a service ingress QoS policy, individual queues can be defined per forwarding class to provide shaping of broadcast traffic, MAC multicast traffic and unknown destination MAC traffic.

---

## MAC Move

The MAC move feature is useful to protect against undetected loops in a VPLS topology as well as the presence of duplicate MACs in a VPLS service.

If two clients in the VPLS have the same MAC address, the VPLS will experience a high re-learn rate for the MAC. When MAC move is enabled, the 7750 SR, or will shut down the SAP or spoke SDP and create an alarm event when the threshold is exceeded.

MAC move allows sequential order port blocking. By configuration, some VPLS ports can be configured as “non-blockable” which allows simple level of control which ports are being blocked during loop occurrence. There are two sophisticated control mechanisms that allow blocking of ports in a sequential order:

1. Configuration capabilities to group VPLS ports and to define the order they should be blocked.
2. Criteria defining when individual groups should be blocked.

For the first, configuration CLI is extended by definition of “primary” and “secondary” ports. Per default, all VPLS ports are considered “tertiary” ports unless they are explicitly declared primary or secondary. The order of blocking will always follow a strict order starting from “tertiary” to secondary and then primary.

The definition of criteria for the second control mechanism is the number of periods during which the given re-learn rate has been exceeded. The mechanism is based on the “cumulative” factor for every group of ports. Tertiary VPLS ports are blocked if the re-learn rate exceeds the configured threshold during one period while secondary ports are blocked only when re-learn rates are exceeded during two consecutive periods, and so forth. The retry timeout period must be larger than the period before blocking the “highest priority port” so it sufficiently spans across the period required to block all ports in sequence. The period before blocking the “highest priority port” is the cumulative factor of the highest configured port multiplied by 5 seconds (the retry timeout can be configured through the CLI).

## Auto-Learn MAC Protect

This section provides information about `auto-learn-mac-protect` and `restrict-protected-src discard-frame` features.

VPLS solutions usually involve learning of MAC addresses in order for traffic to be forwarded to the correct SAP/SDP. If a MAC address is learned on the wrong SAP/SDP then traffic would be re-directed away from its intended destination. This could occur through a mis-configuration, a problem in the network or by a malicious source creating a DOS attack and is applicable to any type of VPLS network, for example mobile backhaul or residential service delivery networks. **auto-learn-mac-protect** can be used to safe-guard against the possibility of MAC addresses being learned on the wrong SAP/SDP.

This feature provides the ability to automatically protect source MAC addresses which have been learned on a SAP or a spoke/mesh SDP and prevent frames with the same protected source MAC address from entering into a different SAP/spoke or mesh SDP.

This is a complementary solution to features such as **mac-move** and **mac-pinning**, but has the advantage that MAC moves are not seen and it has a low operational complexity. It should be noted that if a MAC is initially learned on the wrong SAP/SDP, the operator can clear the MAC from the MAC FDB in order for it to be re-learned on the correct SAP/SDP.

Two separate commands are used which provide the configuration flexibility of separating the identification (learning) function from the application of the restriction (discard).

The **auto-learn-mac-protect** and **restrict-protected-src** commands allow the following functions:

- The ability to enable the automatic protection of a learned MAC using the `auto-learn-mac-protect` command under a SAP/spoke or mesh SDP/SHG contexts.
- The ability to discard frames associated with automatically protected MACs instead of shutting down the entire SAP/SDP as with the `restrict-protected-src` feature. This is enabled using a `restrict-protected-src discard-frame` command in the SAP/spoke or mesh SDP/SHG context. An optimized alarm mechanism is used to generate alarms related to these discards. The frequency of alarm generation is fixed to be at most one alarm per MAC address per forwarding complex per 10 minutes in a given VPLS service.

Note, if `auto-learn-mac-protect` or `restrict-protected-src discard-frame` is configured under an SHG the operation applies only to SAPs in the SHG not to spoke SDPs in the SHG. If required, these parameters can also be enabled explicitly under specific SAPs/spoke SDPs within the SHG.

Applying or removing `auto-learn-mac-protect` or `restrict-protected-src discard-frame` to/from a SAP, spoke or mesh SDP or SHG, will clear the MACs on the related objects (for the SHG, this results in clearing the MACs only on the SAPs within the SHG).

The use of `restrict-protected-src discard-frame` is mutually exclusive with both the `restrict-protected-src [alarm-only]` command and with the configuration of manually protected MAC addresses, using the `mac-protect` command, within a given VPLS.

The following rules govern the changes to the state of protected MACs:

- Automatically learned protected MACs are subject to normal removal, aging (unless disabled) and flushing at which time the associated entries are removed from the FDB.
- Automatically learned protected MACs can only move from their learned SAP/spoke or mesh SDP if they enter a SAP/spoke or mesh SDP without `restrict-protected-src` enabled.

If a MAC address does legitimately move between SAPs/spoke or mesh SDPs after it has been automatically protected on a given SAP/spoke or mesh SDP (thereby causing discards when received on the new SAP/spoke or mesh SDP), the operator must manually clear the MAC from the FDB for it to be learned in the new/correct location.

MAC addresses that are manually created (using `static-mac`, `static-host` with a MAC address specified or `oam mac-populate`) will not be protected even if they are configured on a SAP/x SDP that has `auto-learn-mac-protect` enabled on it. Also, the MAC address associated with a routed VPLS IP interface is protected within its VPLS service such that frames received with this MAC address as the source address are discarded (this is not based on the `auto-learn MAC protect` function). However, VRRP MAC addresses associated with a routed VPLS IP interface are not protected either in this way or using the `auto-learn MAC protect` function.

MAC addresses that are dynamically created (learned, using `static-host` with no MAC address specified or `lease-populate`) will be protected when the MAC address is “learned” on a SAP/x-SDP that has `auto-learn-mac-protect` enabled on it.

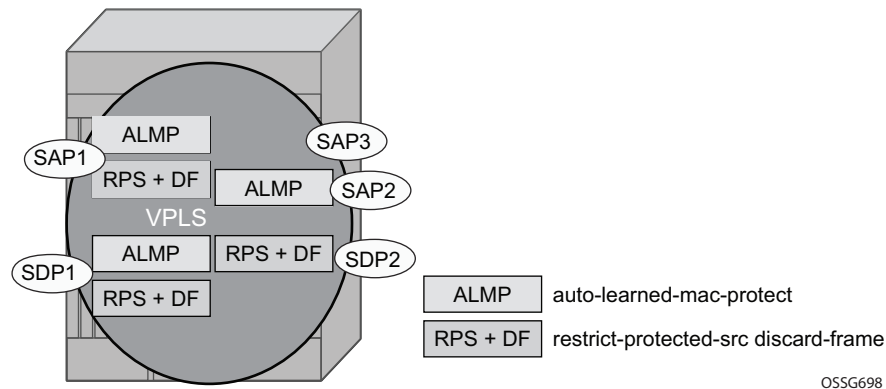
The actions of the following features are performed in the order listed.

1. `Restrict-protected-src`
2. `MAC-pinning`
3. `MAC-move`

---

## Operation

Figure 49 shows a specific configuration using `auto-learn-mac-protect` and `restrict-protected-src discard-frame` in order to describe their operation.



**Figure 49: Auto-Learn-Mac-Protect Operation**

A VPLS service is configured with SAP1 and SDP1 connecting to access devices and SAP2, SAP3 and SDP2 connecting to the core of the network. auto-learn-mac-protect is enabled on SAP1, SAP3 and SDP1 and restrict-protected-src discard-frame is enabled on SAP1, SDP1 and SDP2. The following series of events describe the details of the functionality:

Assume that the FDB is empty at the start of each sequence.

Sequence 1:

1. A frame with source MAC A enters SAP1, MAC A is learned on SAP1 and MAC-A/SAP1 is protected because of the presence of the auto-learn-mac-protect on SAP1.
2. All subsequent frames with source MAC A entering SAP1 are forwarded into the VPLS.
3. Frames with source MAC A enter either SDP1 or SDP2, these frames are discarded and an alarm indicating MAC A and SDP1/SDP2 is initiated because of the presence of the restrict-protected-src discard-frame on SDP1/SDP2.
4. The above continues, with MAC-A/SAP1 protected in the FDB until MAC A on SAP1 is removed from the FDB.

Sequence 2:

1. A frame with source MAC A enters SAP1, MAC A is learned on SAP1 and MAC-A/SAP1 is protected because of the presence of the auto-learn-mac-protect on SAP1.
2. A frame with source MAC A enters SAP2. As restrict-protected-src is not enabled on SAP2, MAC A is re-learned on SAP2 (but not protected), replacing the MAC-A/SAP1 entry in the FDB.

3. All subsequent frames with source MAC A entering SAP2 are forwarded into the VPLS. This is because restrict-protected-src is not enabled on SAP2 and auto-learn-mac-protect is not enabled on SAP2, so the FDB would not be changed.
4. A frame with source MAC A enters SAP1, MAC A is re-learned on SAP1 and MAC-A/SAP1 is protected because of the presence of the auto-learn-mac-protect on SAP1.

### Sequence 3:

1. A frame with source MAC A enters SDP2, MAC A is learned on SDP2 but is not protected as auto-learn-mac-protect is not enabled on SDP2.
2. A frame with source MAC A enters SDP1, MAC A is re-learned on SDP1 as previously it was not protected. Consequently, MAC-A/SDP1 is protected because of the presence of the auto-learn-mac-protect on SDP1.

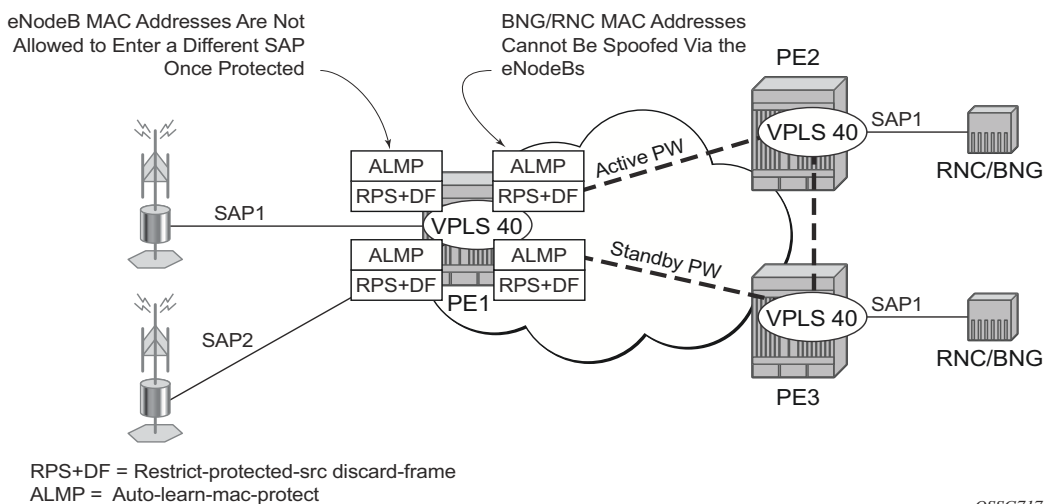
### Sequence 4:

1. A frame with source MAC A enters SAP1, MAC A is learned on SAP1 and MAC-A/SAP1 is protected because of the presence of the auto-learn-mac-protect on SAP1.
2. A frame with source MAC A enters SAP3. As restrict-protected-src is not enabled on SAP3, MAC A is re-learned on SAP3 and the MAC-A/SAP1 entry is removed from the FDB with MAC-A/SAP3 being added as protected to the FDB (because auto-learn-mac-protect is enabled on SAP3).
3. All subsequent frames with source MAC A entering SAP3 are forwarded into the VPLS.
4. A frame with source MAC A enters SAP1, these frames are discarded and an alarm indicating MAC A and SAP1 is initiated because of the presence of the restrict-protected-src discard-frame on SAP1.



## Example Use

Figure 50 shows a possible configuration using **auto-learn-mac-protect** and **restrict-protected-src discard-frame** in a mobile backhaul network, with the focus on PE1.



**Figure 50: Auto-Learn-Mac-Protect Example**

In order to protect the MAC addresses of the BNG/RNCs on PE1, **auto-learn-mac-protect** is enabled on the pseudo-wires connecting it to PE2 and PE3. Enabling **restrict-protected-src discard-frame** on the SAPs towards the eNodeBs will prevent frames with the source MAC addresses of the BNG/RNCs from entering PE1 from the eNodeBs.

The MAC addresses of the eNodeBs are protected in two ways. In addition to the above commands, enabling **auto-learn-mac-protect** on the SAPs towards the eNodeBs will prevent the MAC addresses of the eNodeBs being learned on the wrong eNodeB SAP. Enabling **restrict-protected-src discard-frame** on the pseudowires connecting PE1 to PE2 and PE3 will protect the eNodeB MAC addresses from being learned on the pseudowires. This may happen if their MAC addresses are incorrectly injected into VPLS 40 on PE2/PE3 from another eNodeB aggregation PE.

The above configuration is equally applicable to other Layer 2 VPLS based aggregation networks, for example to business or residential service networks.

## Split Horizon SAP Groups and Split Horizon Spoke SDP Groups

Within the context of VPLS services, a loop-free topology within a fully meshed VPLS core is achieved by applying a split-horizon forwarding concept that packets received from a mesh SDP are never forwarded to other mesh SDPs within the same service. The advantage of this approach is that no protocol is required to detect loops within the VPLS core network.

In applications such as DSL aggregation, it is useful to extend this split-horizon concept also to groups of SAPs and/or spoke SDPs. This extension is referred to as a split horizon SAP group or residential bridging.

Traffic arriving on a SAP or a spoke SDP within a split horizon group will not be copied to other SAPs and spoke SDPs in the same split horizon group (but will be copied to SAPs / spoke SDPs in other split horizon groups if these exist within the same VPLS).

## VPLS and Spanning Tree Protocol

Alcatel-Lucent's VPLS service provides a bridged or switched Ethernet Layer 2 network. Equipment connected to SAPs forward Ethernet packets into the VPLS service. The 7750 SR, or participating in the service learns where the customer MAC addresses reside, on ingress SAPs or ingress SDPs.

Unknown destinations, broadcasts, and multicasts are flooded to all other SAPs in the service. If SAPs are connected together, either through misconfiguration or for redundancy purposes, loops can form and flooded packets can keep flowing through the network. Alcatel-Lucent's implementation of the Spanning Tree Protocol (STP) is designed to remove these loops from the VPLS topology. This is done by putting one or several SAPs and/or spoke SDPs in the discarding state.

Alcatel-Lucent's implementation of the Spanning Tree Protocol (STP) incorporates some modifications to make the operational characteristics of VPLS more effective.

The STP instance parameters allow the balancing between resiliency and speed of convergence extremes. Modifying particular parameters can affect the behavior. For information on command usage, descriptions, and CLI syntax, refer to [Configuring a VPLS Service with CLI on page 483](#).

### Spanning Tree Operating Modes

Per VPLS instance, a preferred STP variant can be configured. The STP variants supported are:

- `rstp` — Rapid Spanning Tree Protocol (RSTP) compliant with IEEE 802.1D-2004 - default mode
- `dot1w` — Compliant with IEEE 802.1w
- `comp-dot1w` — Operation as in RSTP but backwards compatible with IEEE 802.1w (this mode allows interoperability with some MTU types)
- `mstp` — Compliant with the Multiple Spanning Tree Protocol specified in IEEE 802.1Q-REV/D5.0-09/2005. This mode of operation is only supported in an mVPLS.

While the 7750 SR, or initially uses the mode configured for the VPLS, it will dynamically fall back (on a per-SAP basis) to STP (IEEE 802.1D-1998) based on the detection of a BPDU of a different format. A trap or log entry is generated for every change in spanning tree variant.

Some older 802.1W compliant RSTP implementations may have problems with some of the features added in the 802.1D-2004 standard. Interworking with these older systems is improved with the `comp-dot1w` mode. The differences between the RSTP mode and the `comp-dot1w` mode are:

- The RSTP mode implements the improved convergence over shared media feature, for example, RSTP will transition from discarding to forwarding in 4 seconds when operating over shared media. The comp-dot1w mode does not implement this 802.1D-2004 improvement and transitions conform to 802.1w in 30 seconds (both modes implement fast convergence over point-to-point links).
- In the RSTP mode, the transmitted BPDUs contain the port's designated priority vector (DPV) (conforms to 802.1D-2004). Older implementations may be confused by the DPV in a BPDU and may fail to recognize an agreement BPDU correctly. This would result in a slow transition to a forwarding state (30 seconds). For this reason, in the comp-dot1w mode, these BPDUs contain the port's port priority vector (conforms to 802.1w).

The 7750 SR, and support two BPDU encapsulation formats, and can dynamically switch between the following supported formats (on a per-SAP basis):

- IEEE 802.1D STP
- Cisco PVST

## Multiple Spanning Tree

The Multiple Spanning Tree Protocol (MSTP) extends the concept of the IEEE 802.1w Rapid Spanning Tree Protocol (RSTP) by allowing grouping and associating VLANs to Multiple Spanning Tree Instances (MSTI). Each MSTI can have its own topology, which provides architecture enabling load balancing by providing multiple forwarding paths. At the same time, the number of STP instances running in the network is significantly reduced as compared to Per VLAN STP (PVST) mode of operation. Network fault tolerance is also improved because a failure in one instance (forwarding path) does not affect other instances.

The SR-Series implementation of Management VPLS (mVPLS) is used to group different VPLS instances under single RSTP instance. Introducing MSTP into the mVPLS allows interoperating with traditional Layer 2 switches in access network and provides an effective solution for dual homing of many business Layer 2 VPNs into a provider network.

---

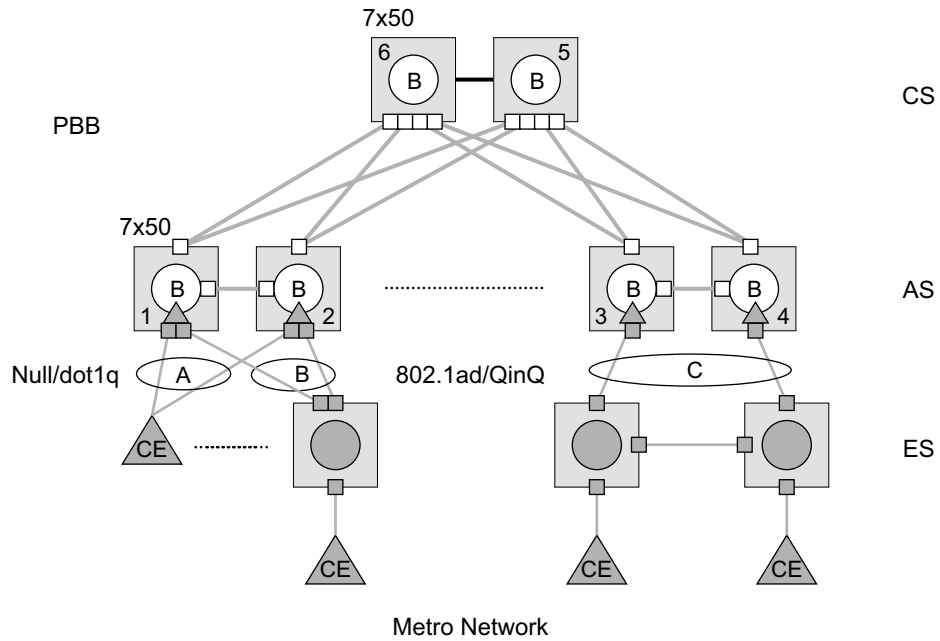
## Redundancy Access to VPLS

The GigE MAN portion of the network is implemented with traditional switches. Using MSTP running on individual switches facilitates redundancy in this part of the network. In order to provide dual homing of all VPLS services accessing from this part of the network, the VPLS PEs must participate in MSTP.

This can be achieved by configuring mVPLS on VPLS-PEs (only PEs directly connected to GigE MAN network) and then assign different managed-vlan ranges to different MSTP instances. Typically, the mVPLS would have SAPs with null encapsulations (to receive, send, and transmit MSTP BPDUs) and a mesh SDP to interconnect a pair of VPLS PEs.

Different access scenarios are displayed in [Figure 51](#) as example network diagrams dually connected to the PBB PEs:

- **Access Type A** — Source devices connected by null or Dot1q SAPs
- **Access Type B** — One QinQ switch connected by QinQ/801ad SAPs
- **Access Type C** — Two or more ES devices connected by QinQ/802.1ad SAPs



OSSG205

**Figure 51: Access Resiliency**

The following mechanisms are supported for the I-VPLS:

- **STP/RSTP** can be used for all access types.
- **M-VPLS with MSTP** can be used as is just for access Type A. MSTP is required for access type B and C.
- **LAG and MC-LAG** can be used for access Type A and B.
- **Split-horizon-group** does not require residential.

PBB I-VPLS inherits current STP configurations from the regular VPLS and MVPLS.

## MSTP for QinQ SAPs

MSTP runs in a MVPLS context and can control SAPs from source VPLS instances. QinQ SAPs are supported. The outer tag is considered by MSTP as part of VLAN range control

---

## Provider MSTP

Provider MSTP is specified in (IEEE-802.1ad-2005). It uses a provider bridge group address instead of a regular bridge group address used by STP, RSTP, MSTP BPDUs. This allows for implicit separation of source and provider control planes.

The 802.1ad access network sends PBB PE P-MSTP BPDUs using the specified MAC address and also works over QinQ interfaces. P-MSTP mode is used in PBBN for core resiliency and loop avoidance.

Similar to regular MSTP, the STP mode (for example, PMSTP) is only supported in VPLS services where the m-VPLS flag is configured.

### MSTP General Principles

MSTP represents modification of RSTP which allows the grouping of different VLANs into multiple MSTIs. To enable different devices to participate in MSTIs, they must be consistently configured. A collection of interconnected devices that have the same MST configuration (region-name, revision and VLAN-to-instance assignment) comprises an MST region.

There is no limit to the number of regions in the network, but every region can support a maximum of 16 MSTIs. Instance 0 is a special instance for a region, known as the Internal Spanning Tree (IST) instance. All other instances are numbered from 1 to 4094. IST is the only spanning-tree instance that sends and receives BPDUs (typically BPDUs are untagged). All other spanning-tree instance information is included in MSTP records (M-records), which are encapsulated within MSTP BPDUs. This means that single BPDU carries information for multiple MSTI which reduces overhead of the protocol.

Any given MSTI is local to an MSTP region and completely independent from an MSTI in other MST regions. Two redundantly connected MST regions will use only a single path for all traffic flows (no load balancing between MST regions or between MST and SST region).

Traditional Layer 2 switches running MSTP protocol assign all VLANs to the IST instance per default. The operator may then “re-assign” individual VLANs to a given MSTI by configuring per VLAN assignment. This means that a SR-Series PE can be considered as the part of the same MST region only if the VLAN assignment to IST and MSTIs is identical to the one of Layer 2 switches in access network.

---

### MSTP in the SR-Series Platform

The SR-Series platform uses a concept of mVPLS to group different SAPs under a single STP instance. The VLAN range covering SAPs to be managed by a given mVPLS is declared under a specific mVPLS SAP definition. MSTP mode-of-operation is only supported in an mVPLS.

When running MSTP, by default, all VLANs are mapped to the CIST. On the VPLS level VLANs can be assigned to specific MSTIs. When running RSTP, the operator must explicitly indicate, per SAP, which VLANs are managed by that SAP.



## Enhancements to the Spanning Tree Protocol

To interconnect 7750 SR routers (PE devices) across the backbone, service tunnels (SDPs) are used. These service tunnels are shared among multiple VPLS instances. Alcatel-Lucent's implementation of the Spanning Tree Protocol (STP) incorporates some enhancements to make the operational characteristics of VPLS more effective. The implementation of STP on the router is modified in order to guarantee that service tunnels will not be blocked in any circumstance without imposing artificial restrictions on the placement of the root bridge within the network. The modifications introduced are fully compliant with the 802.1D-2004 STP specification.

When running MSTP, spoke SDPs cannot be configured. Also, ensure that all bridges connected by mesh SDPs are in the same region. If not, the mesh will be prevented from becoming active (trap is generated).

In order to achieve this, all mesh SDPs are dynamically configured as either root ports or designated ports. The PE devices participating in each VPLS mesh determine (using the root path cost learned as part of the normal protocol exchange) which of the 7750 SR, or devices is closest to the root of the network. This PE device is internally designated as the primary bridge for the VPLS mesh. As a result of this, all network ports on the primary bridges are assigned the designated port role and therefore remain in the forwarding state.

The second part of the solution ensures that the remaining PE devices participating in the STP instance see the SDP ports as a lower cost path to the root rather than a path that is external to the mesh. Internal to the PE nodes participating in the mesh, the SDPs are treated as zero cost paths towards the primary bridge. As a consequence, the path through the mesh are seen as lower cost than any alternative and the PE node will designate the network port as the root port. This approach ensures that network ports always remain in forwarding state.

In combination, these two features ensure that network ports will never be blocked and will maintain interoperability with bridges external to the mesh which are running STP instances.

## L2PT Termination

L2PT is used to transparently transport protocol data units (PDUs) of Layer 2 protocols such as STP, CDP, VTP and PAGP and UDL. This allows running these protocols between customer CPEs without involving backbone infrastructure.

7750 SR, and routers allow transparent tunneling of PDUs across the VPLS core. However, in some network designs, the VPLS PE is connected to CPEs through a legacy Layer 2 network, rather than having direct connections. In such environments termination of tunnels through such infrastructure is required.

L2PT tunnels protocol PDUs by overwriting MAC destination addresses at the ingress of the tunnel to a proprietary MAC address such as 01-00-0c-cd-cd-d0. At the egress of the tunnel, this MAC address is then overwritten back to MAC address of the respective Layer 2 protocol.

7750 SR, and routers support L2PT termination for STP BPDUs. More specifically:

- At ingress of every SAP/spoke SDP which is configured as L2PT termination, all PDUs with a MAC destination address, 01-00-0c-cd-cd-d0 will be intercepted and their MAC destination address will be overwritten to MAC destination address used for the corresponding protocol (PVST, STP, RSTP). The type of the STP protocol can be derived from LLC and SNAP encapsulation.
- In egress direction, all STP PDUs received on all VPLS ports will be intercepted and L2PT encapsulation will be performed for SAP/spoke SDPs configured as L2PT termination points. Because of the implementation reasons, PDU interception and redirection to CPM can be performed only at ingress. Therefore, to comply with the above requirement, as soon as at least 1 port of a given VPLS service is configured as L2PT termination port, redirection of PDUs to CPM will be set on all other ports (SAPs, spoke SDPs and mesh SDPs) of the VPLS service.

L2PT termination can be enabled only if STP is disabled in a context of the given VPLS service.

## BPDU Translation

VPLS networks are typically used to interconnect different customer sites using different access technologies such as Ethernet and bridged-encapsulated ATM PVCs. Typically, different Layer 2 devices can support different types of STP and even if they are from the same vendor. In some cases, it is necessary to provide BPDU translation in order to provide an interoperable e2e solution.

To address these network designs, BPDU format translation is supported on 7750 SR, and devices. If enabled on a given SAP or spoke SDP, the system will intercept all BPDUs destined to that interface and perform required format translation such as STP-to-PVST or vice versa.

Similarly, BPDU interception and redirection to the CPM is performed only at ingress meaning that as soon as at least 1 port within a given VPLS service has BPDU translation enabled, all BPDUs received on any of the VPLS ports will be redirected to the CPM.

BPDU translation involves all encapsulation actions that the data path would perform for a given outgoing port (such as adding VLAN tags depending on the outer SAP and the SDP encapsulation type) and adding or removing all the required VLAN information in a BPDU payload.

This feature can be enabled on a SAP only if STP is disabled in the context of the given VPLS service.

---

## L2PT and BPDU Translation

Cisco Discovery Protocol (CDP), Digital Trunking Protocol (DTP), Port Aggregation Protocol (PAGP), Uni-directional Link Detection (ULD) and Virtual Trunk Protocol (VTP) are supported. These protocols automatically pass the other protocols tunneled by L2PT towards the CPM and all carry the same specific Cisco MAC.

The existing L2PT limitations apply.

- The protocols apply only to VPLS.
- The protocols are mutually exclusive with running STP on the same VPLS as soon as one SAP has L2PT enabled.
- Forwarding occurs on the CPM.

## Egress Multicast Groups

Efficient multicast replication is a method of increasing egress replication performance by combining multiple destinations into a single egress forwarding pass. In standard egress VPLS multicast forwarding, the complete egress forwarding plane is used per destination to provide ACL, mirroring, QoS and accounting for each path with associated receivers. In order to apply the complete set of available egress VPLS features, the egress forwarding plane must loop-back copies of the original packet so that each flooding destination may be processed. While each distributed egress forwarding plane only replicates to the destinations currently reached through its ports, this loop-back and replicate function can be resource intensive. When egress forwarding plane congestion conditions exist, unicast discards may be indiscriminate relative to forwarding priority. Another by-product of this approach is that the ability for the forwarding plane to fill the egress links is affected which could cause under-run conditions on each link while the forwarding plane is looping packets back to itself.

In an effort to provide highly scalable VPLS egress multicast performance for triple play type deployments, an alternative efficient multicast forwarding option is being offered. This method allows the egress forwarding plane to send a multicast packet to a set (called a chain) of destination SAPs with only a single pass through the egress forwarding plane. This minimizes the egress resources (processing and traffic management) used for the set of destinations and allows proper handling of congestion conditions and minimizes line under-run events. However, due to the batch nature of the egress processing, the chain of destinations must share many attributes. Also, egress port and ACL mirroring will be disallowed for packets handled in this manner.

Packets eligible for forwarding by SAP chaining are VPLS flooded packets (broadcast, multicast and unknown destination unicast) and IP multicast packets matching an VPLS Layer 2 (s,g) record (created through IGMP snooping).

---

## Egress Multicast Group Provisioning

To identify SAPs in the chassis that are eligible for egress efficient multicast SAP chaining, an egress multicast group must be created. SAPs from multiple VPLS contexts may be placed in a single group to minimize the number of groups required on the system and to support multicast VPLS registration (MVR) functions.

Some of the parameters associated with the group member SAPs must be configured with identical values. The common parameters are checked as each SAP is provisioned into the group. If the SAP fails to be consistent in one or more parameters, the SAP is not allowed into the egress multicast group. Once a SAP is placed into the group, changing of a common parameter is not permitted.

## Required Common SAP Parameters

Only SAPs created on Ethernet ports are allowed into an egress multicast group.

Required common parameters include:

- [SAP Port Encapsulation Type on page 393](#)
  - [SAP Port Dot1Q EtherType on page 393](#)
  - [Egress Multicast Groups on page 394](#)
  - [SAP Egress Filter on page 394](#)
- 

## SAP Port Encapsulation Type

The access port encapsulation type defines how the system will delineate SAPs from each other on the access port. SAPs placed in the egress multicast group must be of the same type. The supported access port encapsulation types are null and Dot1q. While all SAPs within the egress multicast group share the same encapsulation type, they are allowed to have different encapsulation values defined. The chained replication process will make the appropriate Dot1q value substitution per destination SAP.

The normal behavior of the system is to disallow changing the port encapsulation type once one or more SAPs have been created on the SAP. This being the case, no special effort is required to ensure that a SAP will be changed from null to Dot1q or Dot1q to null while the SAP is a member of a egress multicast group. Deleting the SAP will automatically remove the SAP from the group.

---

## SAP Port Dot1Q EtherType

The access port dot1q-etype parameter defines which EtherType will be expected in ingress dot1q encapsulated frames and the EtherType that will be used to encapsulate egress dot1q frames on the port. SAPs placed in the same egress multicast group must use the same EtherType when dot1q is enabled as the SAPs encapsulation type.

The normal behavior of the system is to allow dynamic changing of the access port dot1q-etype value while SAPs are currently using the port. Once a dot1q SAP on an access port is allowed into an egress multicast group, the port on which the SAP is created will not accept a change of the configured dot1q-etype value. When the port encapsulation type is set to null, the port's dot1q-etype parameter may be changed at any time.

### Egress Multicast Groups

Egress multicast groups to QinQ-encapsulated SAPs support includes:

- All SAP members of the given egress-multicast-group must have the same inner tag.
- A configuration flag, indicates, on a per egress-multicast-group basis, whether all member SAPs have the same inner or outer VLAN tag.

Membership rules for egress-multicast-groups in QinQ SAPs include:

- All SAPs that are members of the same egress-multicast-groups must have the same encapsulation type (as defined by `encap-type qinq` statement)
- All SAP members of the given multicast group, port, or multicast-group must have the same inner Ethertype as well as outer Ethertype.

---

### SAP Egress Filter

Due to the chaining nature of egress efficient multicast replication, only the IP or MAC filter defined for the first SAP on each chain is used to evaluate the packet. To ensure consistent behavior for all SAPs in the egress multicast group, when an IP or MAC filter is configured on one SAP it must be configured on all. To prevent inconsistencies, each SAP must have the same egress IP or MAC filter configured (or none at all) prior to allowing the SAP into the egress multicast group.

Attempting to change the egress filter configured on the SAP while the SAP is a member of an egress multicast group is not allowed.

If the configured common egress filter is changed on the egress multicast group, the egress filter on all member SAPs will be overwritten by the new defined filter. If the SAP is removed from the group, the previous filter definition is not restored.

---

### SAP Egress QoS Policy

Each SAP placed in the egress multicast group may have a different QoS policy defined. When the egress forwarding plane performs the replication for each destination in a chain, the internal forwarding class associated with the packet is used to map the packet to an egress queue on the SAP.

In the case where subscriber SLA management is enabled on the SAP and the SAP queues are not available, the queues created by the non-sub-addr-traffic SLA-profile instance are used.

One caveat is that egress Dot1P markings for Dot1q SAPs in the replication chain are only evaluated for the first SAP in the chain. If the first SAP defines an egress Dot1P override for the

packet, all encapsulations in the chain will share the same value. If the first SAP in the chain does not override the egress Dot1P value, either the existing Dot1P value (relative to ingress) will be preserved or the value 0 (zero) will be used for all SAPs in the replication chain. The egress QoS policy Dot1P remark definitions on the other SAPs in the chain are ignored by the system.

---

## Efficient Multicast Egress SAP Chaining

The egress IOM (Input Output Module) automatically creates the SAP chains on each egress forwarding plane (typically all ports on an MDA are part of a single forwarding plane except in the case of the 10 Gigabit IOM which has two MDAs on a single forwarding plane). The size of each chain is based on the `dest-chain-limit` command defined on the egress multicast group to which the SAPs in the chain belong.

A set of chains is created by the IOM for each egress flooding list managed by the IOM. While SAPs from multiple VPLS contexts are allowed into a single egress multicast group, an egress flooding list is typically based on a subset of these SAPs. For instance, the broadcast/multicast/unknown flooding list for a VPLS context is limited to the SAPs in that VPLS context. With IGMP snooping on a single VPLS context, the flooding list is per Layer 2 IGMP (s,g) record and is basically limited to the destinations where IGMP joins for the multicast stream have been intercepted. When MVR (Multicast VPLS Registration) is enabled, the (s,g) flooding list may include SAPs from various VPLS contexts based on MVR configuration.

The system maintains a unique flooding list for each forwarding plane VPLS context (see section [VPLS Broadcast/Multicast/Unknown Flooding List on page 396](#)). This list will contain all SAPs (except for residential SAPs), spoke SDP and mesh SDP bindings on the forwarding plane that belong to that VPLS context. Each list may contain a maximum of 127 SAPs. In the case where the IOM is able to create an egress multicast chain, the SAPs within the chain are represented in the flooding list by a single SAP entry (the first SAP in the chain).

The system also maintains a unique flooding list for each Layer 2 IP multicast (s,g) record created through IGMP snooping (see sections [VPLS IGMP Snooping \(s,g\) Flooding List on page 397](#) and [MVR IGMP Snooping \(s,g\) Flooding List on page 397](#)). A flooding list created by IGMP snooping is limited to 127 SAPs, although it may contain other entries representing spoke and mesh SDP bindings. Unlike a VPLS flooding list, a residential SAP may be included in a Layer 2 IP multicast flooding list.

While the system may allow 30 SAPs in a chain, the uninterrupted replication to 30 destinations may have a negative effect on other packets waiting to be processed by the egress forwarding plane. Most notably, massive jitter may be seen on real time VoIP or other time-sensitive applications. The `dest-chain-limit` parameter should be tuned to allow the proper balance between multicast replication efficiency and the effect on time sensitive application performance. It is expected that the optimum performance for the egress forwarding plane will be found at around 16 SAPs per chain.

### VPLS Broadcast/Multicast/Unknown Flooding List

The IOM includes all VPLS destinations in the egress VPLS Broadcast/Multicast/Unknown (BMU) flooding list that exist on a single VPLS context. Whenever a broadcast, multicast or unknown destination MAC is received in the VPLS, the BMU flooding list is used to flood the packet to all destinations. For normal flooding, care is taken at egress to ensure that the packet is not sent back to the source of the packet. Also, if the packet is associated with a split horizon group (mesh or spoke/SAP) the egress forwarding plane will prevent the packet from reaching destinations in the same split horizon context as the source SAP or SDP-binding.

The VPLS BMU flooding list may contain both egress multicast group SAPs and other SAPs or SDP bindings as destinations. The egress IOM will separate the egress multicast group SAPs from the other destinations to create one or more chains. Egress multicast group SAPs are placed into a chain completely at the discretion of the IOM and the order of SAPs in the list will be nondeterministic. When more SAPs exist on the VPLS context within the egress multicast group then are allowed in a single chain, multiple SAP chains will be created. The IOM VPLS egress BMU flooding list will then contain the first SAP in each chain plus all other VPLS destinations.

The SAPs in the same VPLS context must be in the same split horizon group to allow membership into the egress multicast group. The split horizon context is not required to be the same between VPLS contexts.

SAPs within the same VPLS context may be defined in different egress multicast groups, but SAPs in different multicast groups cannot share the same chain.



## VPLS IGMP Snooping (s,g) Flooding List

When IGMP snooping is enabled on a VPLS context, a Layer 2 IP multicast record (s,g) is created for each multicast stream entering the VPLS context. Each stream should only be sent to each SAP or SDP binding where either a multicast router exists or a host exists that has requested to receive the stream (known as a receiver). To facilitate egress handling of each stream, the IOM creates a flooding list for each (s,g) record associated with the VPLS context. As with the BMU flooding list, source and split horizon squelching is enforced by the egress forwarding plane.

As with the BMU VPLS flooding list, the egress multicast group SAPs that have either static or dynamic multicast receivers for the (s,g) stream are chained into groups. The chaining is independent of other (s,g) flooding lists and the BMU flooding list on the VPLS instance. As the (s,g) flooding list membership is dynamic, the egress multicast group SAPs in chains in the list are also managed dynamically.

Since all SAPs placed into the egress multicast group for a particular VPLS context are in the same split horizon group, no special function is required for split horizon squelching.

---

## MVR IGMP Snooping (s,g) Flooding List

When IGMP snooping on a SAP is tied to another VPLS context to facilitate cross VPLS context IP multicast forwarding, a Layer 2 IP multicast (s,g) record is maintained on the VPLS context receiving the multicast stream. This is essentially an extension to the VPLS IGMP snooped flooding described in [VPLS IGMP Snooping \(s,g\) Flooding List on page 397](#). The (s,g) list is considered to be owned by the VPLS context that the multicast stream will enter. Any SAP added to the list that is outside the target VPLS context (using the **from-vpls** command) is handled as an alien SAP. Split horizon squelching is ignored for alien SAPs.

When chaining the egress multicast group SAPs in an MVR (s,g) list, the IOM will keep the native chained SAPs in separate chains from the alien SAPs to prevent issues with split horizon squelching.

---

## Mirroring and Efficient Multicast Replication

As previously stated, efficient multicast replication affects the ability to perform mirroring decisions in the egress forwarding plane. In the egress forwarding plane, mirroring decisions are performed prior to the egress chain replication function. Since mirroring decisions are only evaluated for the first SAP in each chain, applying a mirroring condition to packets that egress other SAPs in the chain has no effect. Also, the IOM manages the chain membership automatically and the user has no ability to provision which SAP is first in a chain. Thus, mirroring is not allowed for SAPs within a chain.

### Port Mirroring

A SAP created on an access port that is currently defined as an egress mirror source may not be defined into an egress multicast group.

A port that has a SAP defined in an egress multicast group may not be defined as an egress mirror source. If egress port mirroring is desired, then all SAPs on the port must first be removed from all egress multicast groups.

---

### Filter Mirroring

An IP or MAC filter that is currently defined on an egress multicast group as a common required parameter may not have an entry from the list defined as a mirror source.

An IP or MAC filter that has an entry defined as a mirror source may not be defined as a common required parameter for an egress multicast group.

If IP or MAC based filter mirroring is required for packets that egress an egress multicast group SAP, the SAP must first be removed from the egress multicast group and then an IP or MAC filter that is not associated with an egress multicast group must be assigned to the SAP.

---

### SAP Mirroring

While SAP mirroring is not allowed within an IOM chain of SAPs, it is possible to define an egress multicast group member SAP as an egress mirror source. When the IOM encounters a chained SAP as an egress mirror source, it automatically removes the SAP from its chain, allowing packets that egress the SAP to hit the mirror decision. Once the SAP is removed as an egress mirror source, the SAP will be automatically placed back into a chain by the IOM.

It should be noted that all mirroring decisions affect forwarding plane performance due to the overhead of replicating the frame to the mirror destination. This is especially true for efficient multicast replication as removing the SAP from the chain also eliminates a portion of the replication efficiency along with adding the mirror replication overhead.

---

### OAM Commands with EMG

There are certain limitations with using the OAM commands when egress multicast group (EMG) is enabled. This is because OAM commands work by looping the OAM packet back to ingress instead of sending them out of the SAP. Hence, if EMG is enabled, these OAM packets will be looped back once per chain and hence, will only be processed for the first SAP on each chain. Particularly, the **mac-ping**, **mac-trace** and **mfib-ping** commands will only list the first SAP in each chain.

## IOM Chain Management

As previously stated, the IOM automatically creates the chain lists from the available egress multicast group SAPs. The IOM will create chains from the available SAPs based on the following rules:

1. SAPs from different egress multicast groups must be in different chains (a chain can only contain SAPs from the same group)
2. Alien and native SAPs must be in different chains
3. A specific chain cannot be longer than the defined dest-chain-limit parameter for the egress multicast group to which the SAPs belong

Given the following conditions for an IOM creating a multicast forwarding list (List 1) for a Layer 2 IP multicast (s,g) native to VPLS instance 100:

- Egress multicast group A
  - Destination chain length = 16
  - 30 member SAPs on VPLS 100 joined (s,g) (native to VPLS 100)
  - 41 member SAPs on other VPLS instances joined (s,g) (alien to VPLS 100)
- Egress multicast group B
  - Destination chain length = 8
  - 17 member SAPs on VPLS 100 joined (s,g) (native to VPLS 100)
- Egress multicast group C
  - Destination chain length = 12
  - 23 member SAPs on other VPLS instances joined (s,g) (alien to VPLS 100)

The system will build the SAP chains for List 1 according to [Table 10](#).

**Table 10: SAP Chain Creation**

Egress Forwarding List 1 SAP Chains					
Egress Multicast Group A Destination Chain Length 16		Egress Multicast Group B Destination Chain Length 8		Egress Multicast Group C Destination Chain Length 12	
Native Chains	Alien Chains	Native Chains	Alien Chains	Native Chains	Alien Chains
16	16	8			12
14	16	8			11
	9	1			

### Adding a SAP to a Chain

A SAP must meet all the following conditions to be chained in a VPLS BMU flooding list:

1. The SAP is successfully defined as an egress multicast group member
2. The SAP is not currently an egress mirror source

Further, a SAP must meet the following conditions to be chained in an egress IP multicast (s,g) flooding list:

1. The SAP is participating in IGMP snooping
2. A static or dynamic join to the (s,g) record exists for the SAP or the SAP is defined as a multicast router port

**Note:** While an operationally down SAP is placed into replication chains, the system ignores that SAP while in the process of replication.

Based on the egress multicast group and the native or alien nature of the SAP in the list, a set of chains are selected for the SAP. The IOM will search the chains for the first empty position in an existing chain and place the SAP in that position. If an empty position is not found, the IOM will create a new chain with that SAP in the first position and add the SAP to the flooding list to represent the new chain.

---

### Removing a SAP from a Chain

A SAP will be removed from a chain in a VPLS BMU flooding list or egress IP multicast (s,g) flooding list for any of the following conditions:

1. The SAP is deleted from the VPLS instance
2. The SAP is removed from the egress multicast group of which it was a member
3. The SAP is defined as an egress mirror source

Further, a SAP will be removed from an egress IP multicast (s,g) flooding list for the following conditions:

1. IGMP snooping removes the SAP as an (s,g) destination or the SAP is removed as a multicast router port

When the SAP is only being removed from the efficient multicast replication function, it may still need to be represented as a stand alone SAP in the flooding list. If the removed SAP is the first SAP in the list, the second SAP in the list is added to the flooding list when the first SAP is de-chained. If the removed SAP is not the first SAP, it is first de-chained and then added to the

flooding list. If the removed SAP is the only SAP in the chain, the chain is removed along with removing the SAP from the flooding list.

Moving a SAP from a chain to a stand alone condition or from a stand alone condition to a chain may cause a momentary glitch in the forwarding plane for the time that the SAP is being moved. Care is taken to prevent or minimize the possibility of duplicate packets being replicated to a destination while the chains and flooding lists are being manipulated.

---

## Chain Optimization

Chains are only dynamically managed during SAP addition and removal events. The system does not attempt to automatically optimize existing chains. It is possible that excessive SAP removal may cause multiple chains to exist with lengths less than the maximum chain length. For example, if four chains exist with eight SAPs each, it is possible that seven of the SAPs from each chain are removed. The result would be four chains of one SAP each effectively removing any benefit of egress SAP replication chaining.

While it may appear that optimization would be beneficial each time a SAP is removed, this is not the case. Rearranging the chains each time a SAP is removed may cause either packet duplication or omitting replication to a destination SAP. Also, it could be argued that if the loop back replication load is acceptable before the SAP is removed, continuing with the same loop back replication load once the SAP is removed is also acceptable. It is important to note that the overall replication load is lessened with each SAP removal from a chain.

While dynamic optimization is not supported, a manual optimization command is supported in each egress multicast group context. When executed the system will remove and add each SAP, rebuilding the replication chains.

When the dest-chain-limit is modified for an egress multicast group, the system will reorganize the replication chains that contain SAPs from that group according to the new maximum chain size.

---

## IOM Mode B Capability

Efficient multicast replication uses an egress forwarding plane that supports chassis mode b due to the expanded memory requirements to store the replication chain information. The system does not need to be placed into mode b for efficient multicast replication to be performed. Any IOM that is capable of mode “b” operation automatically performs efficient multicast replication when a flooding list contains SAPs that are members of an egress multicast group.

## VPLS Redundancy

The VPLS standard (RFC 4762, *Virtual Private LAN Services Using LDP Signalling*) includes provisions for hierarchical VPLS, using point-to-point spoke SDPs. Two applications have been identified for spoke SDPs:

- To connect to Multi-Tenant Units (MTUs) to PEs in a metro area network;
- To interconnect the VPLS nodes of two metro networks.

In both applications the spoke SDPs serve to improve the scalability of VPLS. While node redundancy is implicit in non-hierarchical VPLS services (using a full mesh of SDPs between PEs), node redundancy for spoke SDPs needs to be provided separately.

Alcatel-Lucent routers have implemented special features for improving the resilience of hierarchical VPLS instances, in both MTU and inter-metro applications.

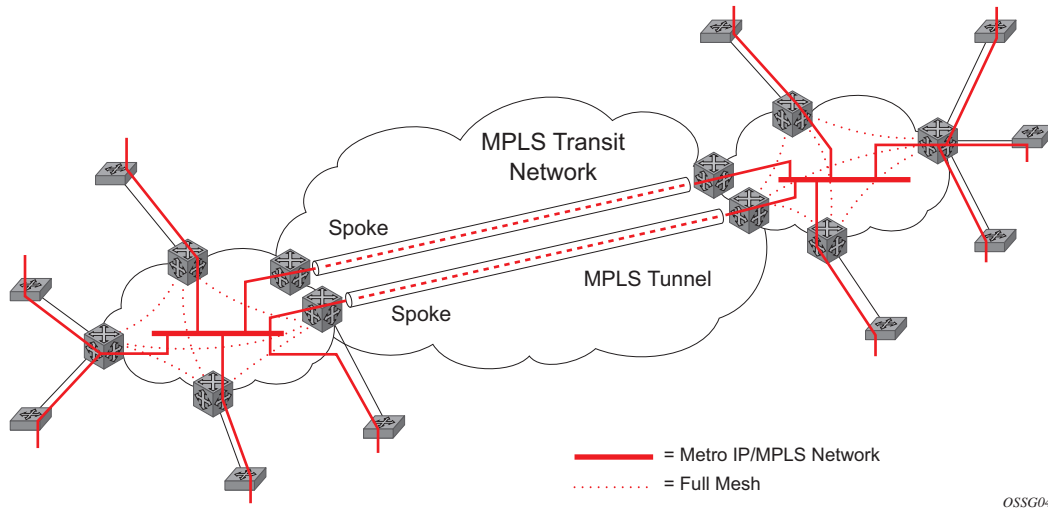
---

### Spoke SDP Redundancy for Metro Interconnection

When two or more meshed VPLS instances are interconnected by redundant spoke SDPs (as shown in [Figure 52](#)), a loop in the topology results. In order to remove such a loop from the topology, Spanning Tree Protocol (STP) can be run over the SDPs (links) which form the loop such that one of the SDPs is blocked. As running STP in each and every VPLS in this topology is not efficient, the node includes functionality which can associate a number of VPLSes to a single STP instance running over the redundant SDPs. Node redundancy is thus achieved by running STP in one VPLS, and applying the conclusions of this STP to the other VPLS services. The VPLS instance running STP is referred to as the “management VPLS” or mVPLS.

In the case of a failure of the active node, STP on the management VPLS in the standby node will change the link states from disabled to active. The standby node will then broadcast a MAC flush LDP control message in each of the protected VPLS instances, so that the address of the newly active node can be re-learned by all PEs in the VPLS.

It is possible to configure two management VPLS services, where both VPLS services have different active spokes (this is achieved by changing the path-cost in STP). By associating different user VPLSes with the two management VPLS services, load balancing across the spokes can be achieved.



OSSG045

Figure 52: HVPLS with Spoke Redundancy

## Spoke SDP Based Redundant Access

This feature provides the ability to have a node deployed as MTUs (Multi-Tenant Unit Switches) to be multi-homed for VPLS to multiple routers deployed as PEs without requiring the use of mVPLS.

In the configuration example displayed in [Figure 52](#), the MTUs have spoke SDPs to two PEs devices. One is designated as the primary and one as the secondary spoke SDP. This is based on a precedence value associated with each spoke.

The secondary spoke is in a blocking state (both on receive and transmit) as long as the primary spoke is available. When the primary spoke becomes unavailable (due to link failure, PEs failure, etc.), the MTU immediately switches traffic to the backup spoke and starts receiving traffic from the standby spoke. Optional revertive operation (with configurable switch-back delay) is supported. Forced manual switchover is also supported.

To speed up the convergence time during a switchover, MAC flush is configured. The MTUs generates a MAC flush message over the newly unblocked spoke when a spoke change occurs. As a result, the PEs receiving the MAC flush will flush all MACs associated with the impacted VPLS service instance and forward the MAC flush to the other PEs in the VPLS network if “propagate-mac-flush” is enabled.

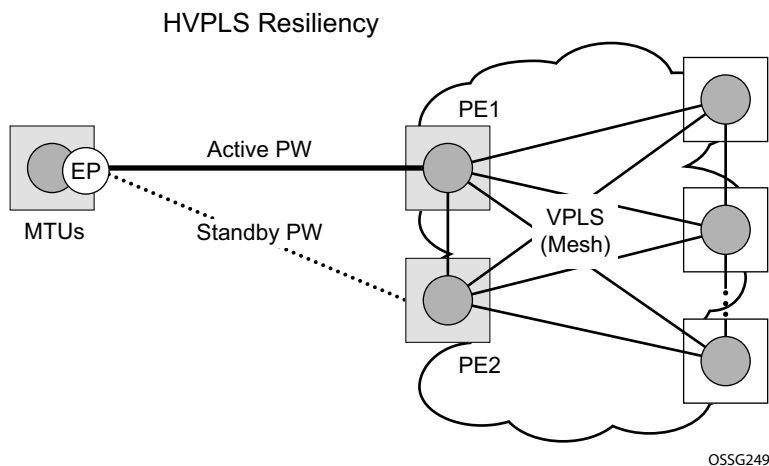


## Inter-Domain VPLS Resiliency Using Multi-Chassis Endpoints

Inter-domain VPLS refers to a VPLS deployment where sites may be located in different domains. An example of inter-domain deployment can be where different Metro domains are interconnected over a Wide Area Network (Metro1-WAN-Metro2) or where sites are located in different autonomous systems (AS1-ASBRs-AS2).

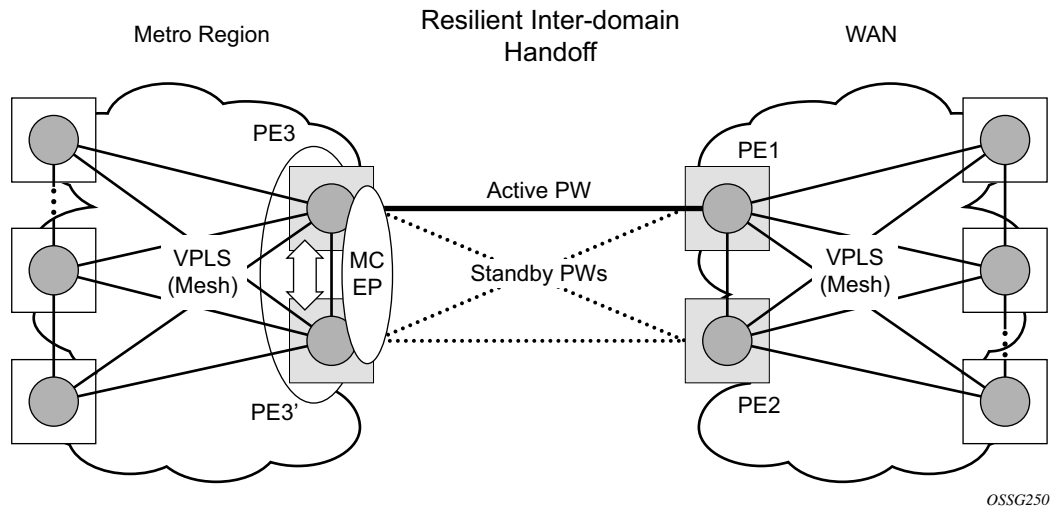
Multi-chassis endpoint (MC-EP) provides an alternate solution that does not require RSTP at the gateway VPLS PEs while still using pseudowires to interconnect the VPLS instances located in the two domains. It is supported in both VPLS and PBB-VPLS on the B-VPLS side.

MC-EP expands the single chassis endpoint based on active-standby pseudowires for VPLS shown in [Figure 53](#).



**Figure 53: HVPLS Resiliency Based on AS Pseudowires**

The active-standby pseudowire solution is appropriate for the scenario when only one VPLS PE (MTU-s) needs to be dual-homed to two core PEs (PE1 and PE2). When multiple VPLS domains need to be interconnected the above solution provides a single point of failure at the MTU-s. The example depicted in [Figure 54](#) can be used.



**Figure 54: Multi-Chassis Pseudowire Endpoint for VPLS**

The two gateway pairs, PE3-PE3 and PE1-PE2, are interconnected using a full mesh of four pseudowires out of which only one pseudowire is active at any point in time.

The concept of pseudowire endpoint for VPLS provides multi-chassis resiliency controlled by the MC-EP pair, PE3-PE3 in this example. This scenario, referred to as multi-chassis pseudowire endpoint for VPLS, provides a way to group pseudowires distributed between PE3 and PE3 chassis in a virtual endpoint that can be mapped to a VPLS instance.

The MC-EP inter-chassis protocol is used to ensure configuration and status synchronization of the pseudowires that belong to the same MC-EP group on PE3 and PE3. Based on the information received from the peer shelf and the local configuration the master shelf will make a decision on which pseudowire will become active.

The MC-EP solution is built around the following components:

- Multi-chassis protocol used to perform the following functions:
  - Selection of master chassis.
  - Synchronization of the pseudowire configuration and status.
  - Fast detection of peer failure or communication loss between MC-EP peers using either centralized BFD if configured or its own keep-alive mechanism.
- T-LDP signaling of pseudowire status:
  - Informs the remote PEs about the choices made by the MC-EP pair
- Pseudowire data plane — Represented by the four pseudowires inter-connecting the gateway PEs.

- Only one of the pseudowires is activated based on the primary/secondary, preference configuration and pseudowire status. In case of a tie the pseudowire located on the master chassis will be chosen.
- The rest of the pseudowires are blocked locally on the MC-EP pair and on the remote PEs as long as they implement the pseudowire active/standby status.

## Fast Detection of Peer Failure using BFD

Although the MC-EP protocol has its own keep-alive mechanisms, sharing a common mechanism for failure detection with other protocols (for example, BGP, RSVP-TE) scales better. MC-EP can be configured to use the centralized BFD mechanism.

Similar as other protocols, MC-EP will register with BFD if the **bfd-enable** command is active under the **config>redundancy>multi-chassis>peer>mc-ep** context. As soon as the MC-EP application is activated using no shutdown, it tries to open a new BFD session or register automatically with an existing one. The source-ip configuration under redundancy multi-chassis peer-ip is used to determine the local interface while the peer-ip is used as the destination IP for the BFD session. After MC-EP registers with an active BFD session, it will use it for fast detection of MC-EP peer failure. If BFD registration or BFD initialization fails, the MC-EP will keep using its own keep-alive mechanism and it will send a trap to the NMS signaling the failure to register with/open BFD session.

In order to minimize operational mistakes and wrong peer interpretation for the loss of BFD session, the following additional rules are enforced when the MC-EP is registering with a certain BFD session:

- Only the centralized BFD sessions using system or loopback IP interfaces (source-ip parameter) are accepted in order for MC-EP to minimize the false indication of peer loss.
- If the BFD session associated with MC-EP protocol is using a certain interface (system/loopback) then the following actions are not allowed under the interface: IP address change, “shutdown”, “no bfd” commands. If one of these action is required under the interface, the operator needs to disable BFD using the following procedures:
  - The **no bfd-enable** command in the **config>redundancy>multi-chassis>peer>mc-ep** context – this is the recommended procedure.
  - The **shutdown** command in the **config>redundancy>multi-chassis>peer>mc-ep** or from under **config>redundancy>multi-chassis>peer** contexts.

MC-EP keep-alives are still exchanged for the following reasons:

- As a backup - if the BFD session does not come up or is disabled, the MC-EP protocol will use its own keep-alives for failure detection.
- To ensure the database is cleared if the remote MC-EP peer is shutdown or miss-configured (each x seconds – one second suggested as default).

If MC-EP de-registers with BFD using the “no bfd-enable” command, the following processing steps occur:

- Local peer indicates to the MC-EP peer the fact that local BFD is being disabled using MC-EP peer-config-TLV fields ([BFD local : BFD remote]). This is done to avoid wrong interpretation of BFD session loss.
- Remote peer acknowledges reception indicating through the same peer-config-TLV fields that it is de-registering with the BFD session.
- Both MC-EP peers de-register and are going to use only keep-alives for failure detection
- There should be no pseudowire status change during this process.

Traps are sent when the status of the monitoring of the MC-EP session through BFD changes in the following instances:

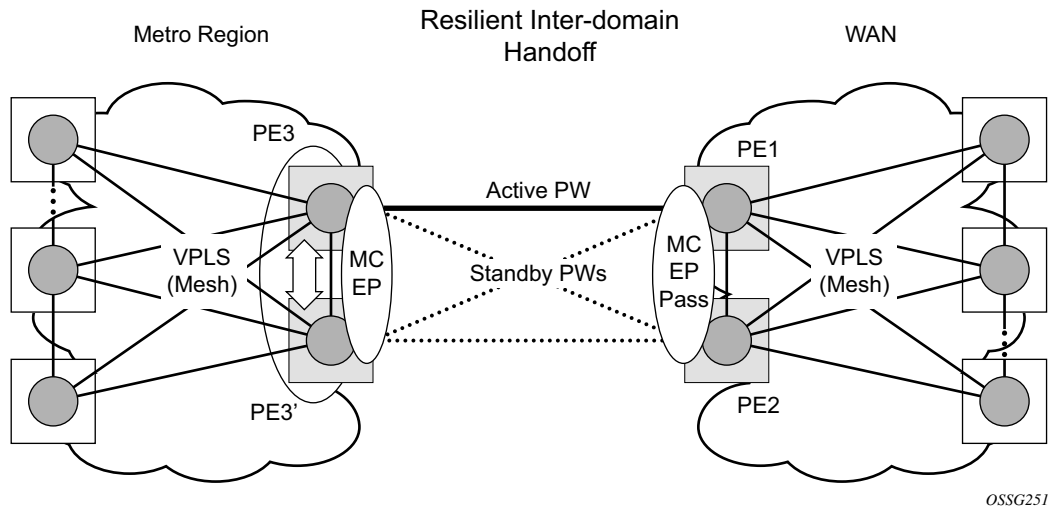
- When red/mc/peer is no shutdown and BFD is not enabled, send a notification indicating BFD is not monitoring MC-EP peering session
- When BFD changes to open, send a notification indicating BFD is monitoring MC-EP peering session
- When BFD changes to down/close, send a notification indicating BFD is not monitoring MC-EP peering session.

---

### MC-EP Passive Mode

The MC-EP mechanisms are built to minimize the possibility of loops. It is possible that human error could create loops through the VPLS service. One way to prevent loops is to enable the MAC move feature in the gateway PEs (PE3, PE3', PE1 and PE2).

An MC-EP passive mode can also be used on the second PE pair, PE1 and PE2, as a second layer of protection to prevent any loops from occurring if the operator introduces operational errors on the MC-EP PE3, PE3' pair.



**Figure 55: MC-EP in Passive Mode**

When in passive mode, the MC-EP peers stay dormant as long as one active pseudowire is signaled from the remote end. If more than one pseudowire belonging to the passive MC-EP becomes active, then the PE1 and PE2 pair applies the MC-EP selection algorithm to select the best choice and blocks all others. No signaling is sent to the remote pair to avoid flip-flop behavior. A trap is generated each time MC-EP in passive mode activates. Every occurrence of this kind of trap should be analyzed by the operator as it is an indication of possible mis-configuration on the remote (active) MC-EP peering.

In order for the MC-EP passive mode to work, the pseudowire status signaling for active/standby pseudowires should be enabled. This involves the following CLI configurations:

For the remote MC-EP PE3, PE3 pair:

```
config>service>vpls>endpoint# no suppress-standby-signaling
```

When MC-EP passive mode is enabled on the PE1 and PE2 pair the following command is always enabled internally, regardless of the actual configuration:

```
config>service>vpls>endpoint no ignore-standby-signaling
```

## Support for Single Chassis Endpoint Mechanisms

In cases of SC-EP, there is consistency check to ensure that the configuration of the member pseudowires is the same. For example, mac-pining, mac-limit and ignore standby signaling must

be the same. In the MC-EP case, there is no consistency check between the member endpoints located on different chassis. The operator must verify carefully the configuration of the two endpoints to ensure consistency.

The following rules apply for `suppress-standby-signaling` and `ignore-standby` parameters:

- Regular MC-EP mode (non-passive) will follow the `suppress-standby-signaling` and `ignore-standby` settings from the related endpoint configuration.
- For MC-EP configured in passive mode, the following settings will be used, regardless of previous configuration: **`suppress-standby-sig`** and **`no ignore-standby-sig`**. It is expected that when passive mode is used at one side that the regular MC-EP side will activate signaling with **`no suppress-stdby-sig`**.
- When passive mode is configured in just one of the nodes in the MC-EP peering, the other node will be forced to change to passive mode. A trap is sent to the operator to signal the wrong configuration.

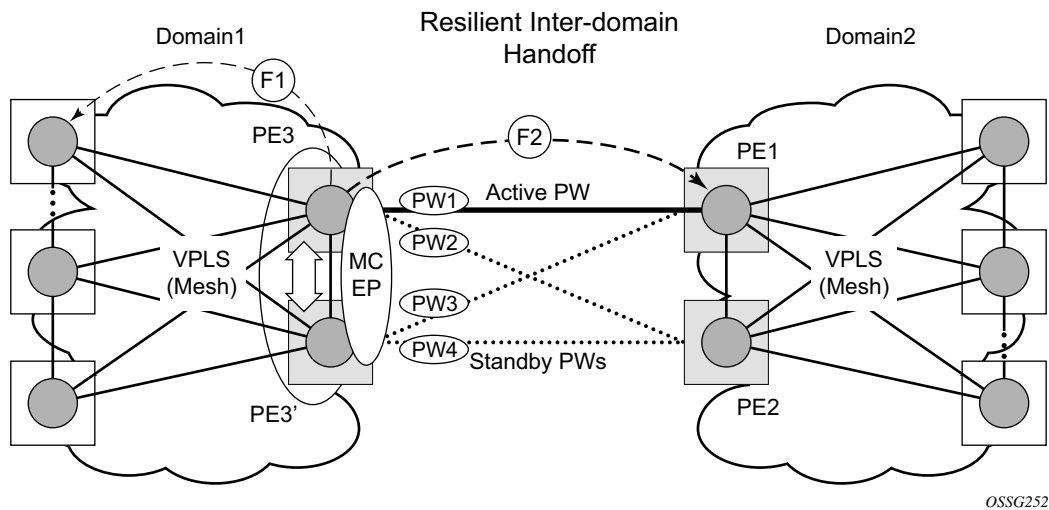
This section describes also how the main mechanisms used for single chassis endpoint are adapted for the MC-EP solution.

---

### MAC Flush Support in MC-EP

In an MC-EP scenario, failure of a pseudowire or gateway PE will determine activation of one of the next best pseudowire in the MC-EP group. This section describes the MAC flush procedures that can be applied to ensure black-hole avoidance.

[Figure 56](#) depicts a pair of PE gateways (PE3 and PE3) running MC-EP towards PE1 and PE2 where F1 and F2 are used to indicate the possible direction of the MAC flush signaled using T-LDP MAC withdraw message. PE1 and PE2 can only use regular VPLS pseudowires and do not have to use a MC-EP or a regular pseudowire endpoint.



**Figure 56: MAC Flush in the MC-EP Solution**

Regular MAC flush behavior will apply for the LDP MAC withdraw sent over the T-LDP Sessions associated with the active pseudowire in the MC-EP, for example PE3 to PE1. That is for any TCN events or failures associated with SAPs or pseudowires not associated with the MC-EP.

The following MAC flush behaviors apply to changes in the MC-EP pseudowire selection:

- If the local PW2 becomes active on PE3:
  - On PE3 the MACs mapped to PW1 are moved to PW2.
  - A T-LDP “flush-all-but-mine” message is sent toward PE2 in F2 direction and is propagated by PE2 in the local VPLS mesh.
  - No MAC flush is sent to F1 direction from PE3.
- If one of the pseudowires on the pair PE3 becomes active, for example PW4:
  - On PE3, the MACs mapped to PW1 are flushed, same as a regular endpoint.
  - PE3 must be configured with **send-flush-on-failure** to send a T-LDP “flush-all-from-me” message towards VPLS mesh in the F1 direction.
  - PE3 sends a T-LDP **flush-all-but-mine** message towards PE2 in the F2 direction which is propagated by PE2 in the local VPLS mesh. Note that when MC-EP is in passive mode and the first spoke becomes active, a **no mac flush-all-but-mine** message will be generated.

## Block-on-Mesh-Failure Support in MC-EP Scenario

The following rules describe how the block-mesh-on-failure must be ported to the MC-EP solution (see [Figure 56](#)):

- If PE3 does not have any forwarding path towards Domain1 mesh, it should block both PW1 and PW2 and inform PE3 so one of its pseudowires can be activated.
- In order to allow the use of block-on-mesh-failure for MC-EP, a new block-on-mesh-failure parameter can be specified in the `config>service>vpls>endpoint` context with the following rules:
  - The default is **no block-on-mesh-failure** to allow for easy migration from previous releases.
  - For a spoke SDP to be added under an endpoint, the setting for its **block-on-mesh-failure** parameter must be in sync with the endpoint parameter.
  - After the spoke SDP is added to an endpoint, the configuration of its **block-on-mesh-failure** parameter is disabled. A change in endpoint configuration for the **block-on-mesh-failure** parameter is propagated to the individual spoke SDP configuration.
  - When a spoke SDP is removed from the endpoint group, it will inherit the last configuration from the endpoint parameter.
  - Adding an MC-EP under the related endpoint configuration does not affect in any way the above behavior.

Prior to Release 7.0, the **block-on-mesh-failure** command could not be enabled under `config>service>vpls>endpoint` context. In order for a spoke SDP to be added to an (single-chassis) endpoint, its **block-on-mesh-failure** had to be disabled (`config>service>vpls>spoke-sdp>no block-on-mesh-failure`). Then, the configuration of **block-on-mesh-failure** under a spoke SDP is blocked.

- If **block-on-mesh-failure** is enabled on PE1 and PE2, these PEs will signal pseudowire standby status toward the MC-EP PE pair. PE3 and PE3 should consider the pseudowire status signaling from remote PE1 and PE2 when making the selection of the active pseudowire.

---

## Support for Force Spoke SDP in MC-EP

In a regular (single chassis) endpoint scenario, the following command can be used to force a specific SDP binding (pseudowire) to become active:

```
tools perform service id service-id endpoint endpoint-name force
```

In the MC-EP case, this command has a similar effect when there is a single forced SDP binding in an MC-EP. The forced SDP binding (pseudowire) will be elected as active.



However, when the command is run at the same time as both MC-EP PEs, when the endpoints belong to the same mc-endpoint, the regular MC-EP selection algorithm (for example, the operational status -> precedence value) will be applied to determine the winner.

---

### Revertive Behavior for Primary Pseudowire(s) in a MC-EP

For a single-chassis endpoint a revert-time command is provided under the VPLS endpoint. Refer to the [VPLS Services Command Reference on page 545](#) for syntax and command usage information.

In a regular endpoint the revert-time setting affects just the pseudowire defined as primary (precedence 0). For a failure of the primary pseudowire followed by restoration the revert-timer is started. After it expires the primary pseudowire takes the active role in the endpoint. This behavior does not apply for the case when both pseudowires are defined as secondary: i.e. if the active secondary pseudowire fails and is restored it will stay in standby until a configuration change or a force command occurs.

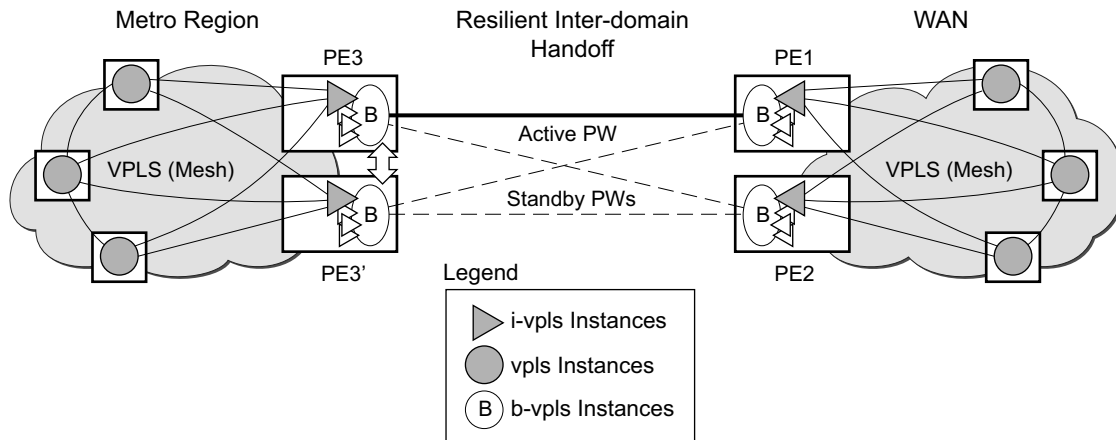
In the MC-EP case the revertive behavior is supported for pseudowire defined as primary (precedence 0). The following rules apply:

- The revert-time setting under each individual endpoint control the behavior of the local primary pseudowire if one is configured under the local endpoint.
  - The secondary pseudowires behave as in the regular endpoint case
- 

### Using B-VPLS for Increased Scalability and Reduced Convergence Times

The PBB-VPLS solution can be used to improve scalability of the solution and to reduce convergence time. If PBB-VPLS is deployed starting at the edge PEs, the gateway PEs will contain only BVPLS instances. The MC-EP procedures described for regular VPLS apply.

PBB-VPLS can be also enabled just on the gateway MC-EP PEs as depicted in [Figure 57](#) below.



OSSG487

**Figure 57: MC-EP with B-VPLS**

Multiple I-VPLS instances may be used to represent in the gateway PEs the customer VPLS instances using PBB-VPLS M:1 model described in the PBB section. A backbone VPLS (B-VPLS) is used in this example to administer the resiliency for all customer VPLS instances at the domain borders. Just one MC-EP is required to be configured in the B-VPLS to address 100s or even 1000s of customers VPLS instances. If load balancing is required, multiple B-VPLS instances may be used to ensure even distribution of the customers across all the pseudowires interconnecting the two domains. In this example, four B-VPLS will be able to loadshare the customers across all four possible pseudowire paths.

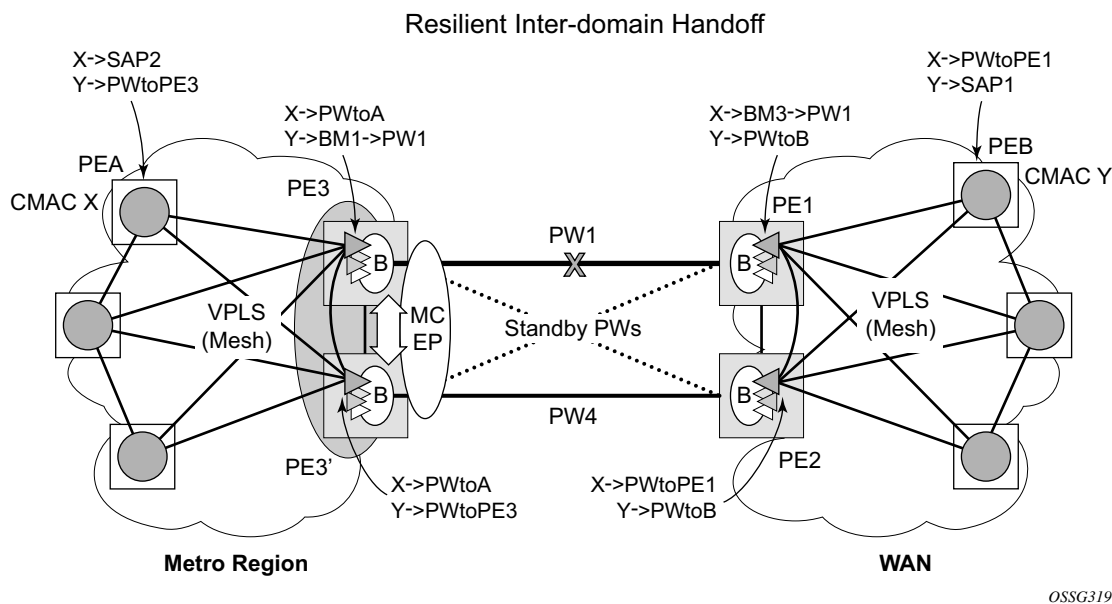
The use of MC-EP with B-VPLS is strictly limited to cases where VPLS mesh exists on both sides of a B-VPLS. For example, active/standby pseudowires resiliency in the I-VPLS context where PE3, PE3' are PEs cannot be used because there is no way to synchronize the active/standby selection between the two domains.

For a similar reason, MC-LAG resiliency in the I-VPLS context on the gateway PEs participating in the MC-EP (PE3, PE3) should not be used.

Note that for the PBB topology described in [Figure 57](#), block-on-mesh-failure in the I-VPLS domain will not have any effect on the B-VPLS MC-EP side. That is because mesh failure in one I-VPLS should not affect other I-VPLS sharing the same B-VPLS.

## MAC Flush Additions for PBB VPLS

The scenario depicted in [Figure 58](#) is used to define the blackholing problem in PBB-VPLS using MC-EP.



**Figure 58: MC-EP with B-VPLS Failure Scenario**

In topology displayed in [Figure 58](#), PE A and PE B are regular VPLS PEs participating in the VPLS mesh deployed in the metro and respectively WAN region. As the traffic flows between CEs with CMAC X and CMAC Y, the FIB entries in blue are installed. A failure of the active PW1 will result in the activation of PW4 between PE3 and PE2 in this example. An LDP flush-all-but-mine will be sent from PE3 to PE2 to clear the BVPLS FIBs. The traffic between CMAC X and CMAC Y will be blackholed as long as the entries from the VPLS and I-VPLS FIBs along the path are not removed. This may take as long as 300 seconds, the usual aging timer used for MAC entries in a VPLS FIB.

A MAC flush is required in the I-VPLS space from PBB PEs to PE A and PE B to avoid blackholing in the regular VPLS space.

In the case of a regular VPLS the following procedure is used:

- PE3 sends a flush-all-from-me towards its local blue IVPLS mesh to PE3 and PE A when its MC-Endpoint becomes disabled
- PE3 sends a flush-all-but-mine on the active PW4 to PE2 which is then propagated by PE2 (propagate-mac-flush must be on) to PE B in the WAN IVPLS mesh.

For consistency, a similar procedure is used for the BVPLS case as depicted in Figure 59.

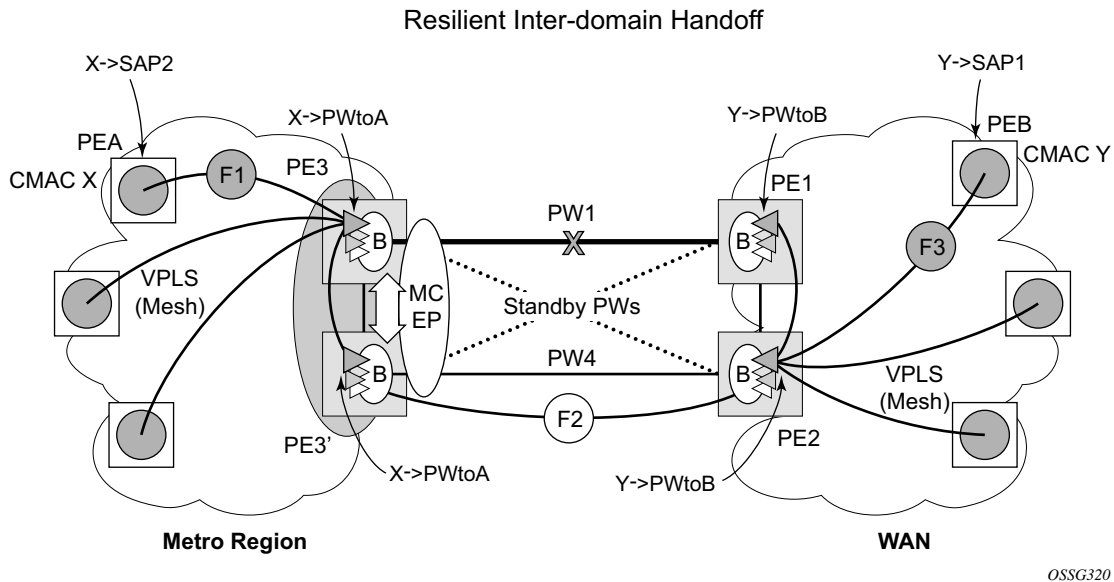


Figure 59: MC-EP with B-VPLS Mac Flush Solution

In this example, the MC-EP activates B-VPLS PW4 because of either a link/node failure or because of an MC-EP selection re-run that affected the previously active PW1. As a result, the endpoint on PE3 containing PW1 goes down.

The following steps apply:

- PE3 sends in the local I-VPLS context a LDP flush-all-from-me (marked with F1) to PE A and to the other regular VPLS PEs, including PE3. The following command enables this behavior on a per I-VPLS basis: **configure>service>vpls ivpls>send-flush-on-bvpls-failure.**
  - Result: PE A, PE3 and the other local VPLS PEs in the metro clear the VPLS FIB entries associated to PW to PE3.
- PE3 clears the entries associated to PW1 and sends in the B-VPLS context an LDP flush-all-but-mine (marked with F2) towards PE2 on the active PW4.
  - Result: PE2 clears the BVPLS FIB entries not associated with PW4.
- PE2 propagates the MAC flush-all-but-mine (marked with F3) from B-VPLS in the related I-VPLS context(s) towards all participating VPLS PEs – for example, in the blue IVPLS to PE B, PE1. It also clears all the CMAC entries associated with IVPLS pseudowires.

The following command enables this behavior on a per I-VPLS basis:

**configure>service>vpls ivpls>propagate-mac-flush-from-bvpls**

→ Result: PE B, PE1 and the other local VPLS PEs in the WAN clear the VPLS FIB entries associated to PW to PE2.

→ This command does not control though the propagation in the related IVPLS of the BVPLS LDP MAC flush containing a PBB TLV (BMAC and ISID –list).

- Similar to regular VPLS, LDP signaling of the MAC flush will follow the active topology: for example, no MAC flush will be generated on standby pseudowires.

Other failure scenarios are addressed using the same or a subset of the above steps:

- If the pseudowire (PW2) in the same endpoint with PW1 becomes active instead of PW4, there will be no MAC flush of F1 type.
- If the pseudowire (PW3) in the same endpoint becomes active instead of PW4, the same procedure applies.

Note that for an SC/MC endpoint configured in a BVPLS, failure/de-activation of the active pseudowire member always generates a local MAC flush of all the BMAC associated with the pseudowire. It never generates a MAC move to the newly active pseudowire even if the endpoint stays up. That is because in SC-EP/MC-EP topology, the remote PE might be the terminating PBB PE and may not be able to reach the BMAC of the other remote PE. In other words, connectivity between them exists only over the regular VPLS Mesh.

For the same reasons, it is recommended that static BMAC not be used on SC/MC endpoints.

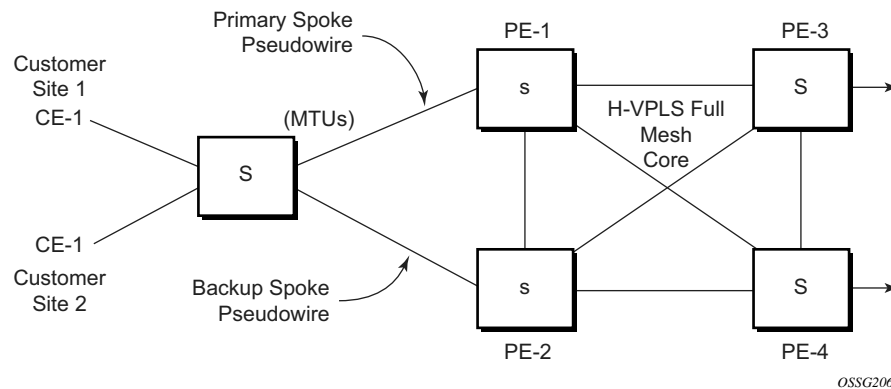
## VPLS Access Redundancy

A second application of hierarchical VPLS is using MTUs that are not MPLS-enabled which must have Ethernet links to the closest PE node. To protect against failure of the PE node, an MTU can be dual-homed and have two SAPs on two PE nodes.

There are several mechanisms that can be used to resolve a loop in an access circuit, however from operation perspective they can be subdivided into two groups:

- STP-based access, with or without mVPLS.
- Non-STP-based access using mechanisms such as MC\_LAG, MC-APS, MC-RING.

### STP-Based Redundant Access to VPLS



**Figure 60: Dual Homed MTU-s in Two-Tier Hierarchy H-VPLS**

In configuration shown in Figure 60, STP is activated on the MTU and two PEs in order to resolve a potential loop. Note that STP only needs to run in a single VPLS instance, and the results of the STP calculations are applied to all VPLSes on the link.

In this configuration the scope of STP domain is limited to MTU and PEs, while any topology change needs to be propagated in the whole VPLS domain including mesh SDPs. This is done by using so called “MAC-flush” messages defined by RFC 4762. In case of STP as a loop resolution mechanism, every TCN (Topology Change Notification) received in a context of STP instance is translated into LDP- MAC address withdrawal message (also referred to as MAC-flush message) requesting to clear all FDB entries, but the ones learned from originating PE. Such messages are sent to all PE peers connected through SDPs (mesh and spoke) in the context of VPLS service(s) which are managed by the given STP instance.

## Redundant Access to VPLS Without STP

The Alcatel-Lucent implementation also alternative methods for providing a redundant access to LAYER 2 services, such as MC-LAG, MC-APS or MC-RING. Also in this case, the topology change event needs to be propagated into VPLS topology in order to provide fast convergence.

Figure 52 illustrates a dual-homed connection to VPLS service (PE-A, PE-B, PE-C, PE-D) and operation in case of link failure (between PE-C and L2-B). Upon detection of a link failure PE-C will send MAC-Address-Withdraw messages, which will indicate to all LDP peers that they should flush all MAC addresses learned from PE-C. This will lead that to a broadcasting of packets addressing affected hosts and re-learning process in case an alternative route exists.

Note that the message described here is different than the message described in previous section and in RFC 4762, *Virtual Private LAN Services Using LDP Signaling*. The difference is in the interpretation and action performed in the receiving PE. According to the standard definition, upon receipt of a MAC withdraw message, all MAC addresses, except the ones learned from the source PE, are flushed,

This section specifies that all MAC addresses learned from the source are flushed. This message has been implemented as an LDP address message with vendor-specific type, length, value (TLV), and is called the flush-mine message.

The advantage of this approach (as compared to RSTP based methods) is that only MAC-affected addresses are flushed and not the full forwarding database. While this method does not provide a mechanism to secure alternative loop-free topology, the convergence time is dependent on the speed of the given CE device will open alternative link (L2-B switch in Figure 57) as well as on the speed PE routers will flush their FDB.

In addition, this mechanism is effective only if PE and CE are directly connected (no hub or bridge) as it reacts to physical failure of the link.

## Object Grouping and State Monitoring

This feature introduces a generic operational group object which associates different service endpoints (pseudowires, SAPs, IP interfaces) located in the same or in different service instances.

The operational group status is derived from the status of the individual components using certain rules specific to the application using the concept. A number of other service entities, the monitoring objects, can be configured to monitor the operational group status and to perform certain actions as a result of status transitions. For example, if the operational group goes down, the monitoring objects will be brought down.

---

### VPLS Applicability — Block on VPLS a Failure

This concept is used in VPLS to enhance the existing BGP MH solution by providing a block-on-group failure function similar with the Block-on-mesh failure feature implemented in the past for LDP VPLS mesh. On the PE selected as the Designated Forwarder (DF), if the rest of the VPLS endpoints fail (pseudowire spoke(s)/pseudowire mesh and/or SAP(s)), there is no path forward for the frames sent to the MH site selected as DF. The status of the VPLS endpoints, other than the MH site, is reflected by bringing down/up the object(s) associated with the MH site.

Support for the feature is provided initially in VPLS and BVPLS instance types for LDP VPLS with or without BGP-AD and for BGP VPLS. The following objects may be placed as components of an operational group: BGP VPLS pseudowires, SAPs, spoke-pseudowire, BGP-AD pseudowires. The following objects are supported as monitoring objects: BGP MH site, Individual SAP, spoke-pseudowire.

The following rules apply:

- An object can only belong to one group at a time.
- An object that is part of a group cannot monitor the status of a group.
- An object that monitors the status of a group it cannot be part of a group.
- An operational group may contain any combination of member types: SAP, spoke-pseudowire, BGP-AD or BGP VPLS pseudowires.
- An operational group may contain members from different VPLS service instances.
- Objects from different services may monitor the oper-group.
- Operational group feature may co-exist in parallel with the **block-on-mesh** feature as long as they are running in different VPLS instances



There are two steps involved in enabling the block on group failure in a VPLS scenario:

1. Identify a set of objects whose forwarding state should be considered as a whole group then group them under an operational group using the **oper-group** CLI command.
2. Associate other existing objects (clients) with the **oper-group** using the **monitor-group** CLI command; its forwarding state will be derived from the related operational group state.

The status of the operational group (oper-group) is dictated by the status of one or more members according to the following rule:

- The oper-group goes down if all the objects in the oper-group go down; the oper-group comes up if at least one of the components is up.
- An object in the group is considered down if it is not forwarding traffic in at least one direction. That could be because the operational state is down or the direction is blocked through some resiliency mechanisms.
- If a group is configured but no members are specified yet then its status is considered up. As soon as the first object is configured the status of the operational group is dictated by the status of the provisioned member(s).
- For BGP-AD or BGP VPLS pseudowire(s) associated with the oper-group (under the **config>service-vpls>bgp>pw-template-binding** context), the status of the **oper-group** is down as long as the pseudowire members are not instantiated (auto-discovered and signaled).

A simple configuration example is described for the case of a BGP VPLS mesh used to interconnect different customer location. If we assume a customer edge (CE) device is dual-homed to two PEs using BGP MH the following configuration steps apply:

- The **oper-group bgp-vpls-mesh** is created
- The BGP VPLS mesh is added to the **bgp-vpls-mesh** group through the pseudowire template used to create the BGP VPLS mesh
- The BGP MH site defined for the access endpoint is associated with the **bgp-vpls-mesh** group; its status from now on will be influenced by the status of the BGP VPLS mesh

A simple configuration example follows:

```
service>oper-group bgp-vpls-mesh-1 create
service>vpls>bgp>pw-template-binding> oper-group bgp-vpls-mesh-1
service>vpls>site> monitor-group bgp-vpls-mesh-1
```

## MAC Flush Message Processing

The previous sections described operation principle of several redundancy mechanisms available in context of VPLS service. All of them rely on MAC flush message as a tool to propagate topology change in a context of the given VPLS. This section aims to summarize basic rules for generation and processing of these messages.

As described on respective sections, the 7750 SR, and support two types of MAC flush message, flush-all-but-mine and flush-mine. The main difference between these messages is the type of action they signal. Flush-all-but-mine requests clearing of all FDB entries which were learned from all other LDP peers except the originating PE. This type is also defined by RFC 4762 as an LDP MAC address withdrawal with an empty MAC address list.

Flush-all-mine message requests clearing all FDB entries learned from originating PE. This means that this message has exactly other effect than flush-all-but-mine message. This type is not included in RFC 4762 definition and it is implemented using vendor specific TLV.

The advantages and disadvantages of the individual types should be apparent from examples in the previous section. The description here focuses on summarizing actions taken on reception and conditions individual messages are generated.

Upon reception of MAC flush messages (regardless the type) SR-Series PE will take following actions:

- Clears FDB entries of all indicated VPLS services conforming the definition.
- Propagates the message (preserving the type) to all LDP peers, if “propagate-mac-flush” flag is enabled at corresponding VPLS level.

The flush-all-but-mine message is generated under following conditions:

- The flush-all-but-mine message is received from LDP peer and propagate-mac-flush flag is enabled. The message is sent to all LDP peers in the context of VPLS service it was received in.
- TCN message in a context of STP instance is received. The flush-all-but-mine message is sent to all LDP-peers connected with spoke and mesh SDPs in a context of VPLS service controlled by the given STP instance (based on mVPLS definition). If all LDP peers are in the STP domain, i.e. the mVPLS and the uVPLS both have the same topology, the router will not send any flush-all-but-mine message. If the router has uVPLS LDP peers outside the STP domain, the router will send flush-all-but-mine messages to all its uVPLS peers.

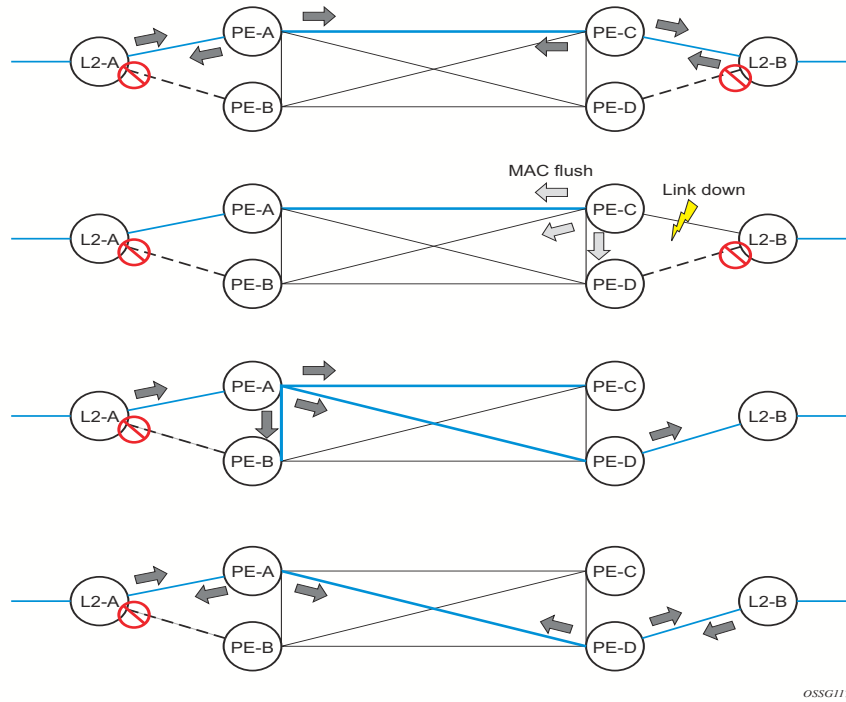
NOTE: The 7750 SR will not send a withdrawal if the mVPLS does not contain a mesh SDP. A mesh SDP must be configured in the mVPLS to send withdrawals.

- Flush-all-but-mine message is generated when switch over between spoke SDPs of the same endpoint occurs. The message is sent to LDP peer connected through newly active spoke SDP.

The flush-mine message is generated under following conditions:

- The flush-mine message is received from LDP peer and “propagate-mac-flush” flag is enabled. The message is sent to all LDP peers in the context of VPLS service it was received.
- The flush-mine message is generated when on a SAP or SDP transition from operationally up to an operationally down state and send-flush-on-failure flag is enabled in the context of the given VPLS service. The message is sent to all LDP peers connected in the context of the given VPLS service. The send-flush-on-failure flag is blocked in mVPLS and is only allowed to be configured in a VPLS service managed by mVPLS. This is to prevent that both messages are sent at the same time.
- The flush-mine message is generated when on a MC-LAG SAP or MC-APS SAP transition from an operationally up state to an operationally down state. The message is sent to all LDP peers connected in the context of the given VPLS service.
- The flush-mine message is generated when on a MC-RING SAP transition from operationally up to an operationally down state or when MC-RING SAP transitions to slave state. The message is sent to all LDP peers connected in the context of the given VPLS service.

## Dual Homing to a VPLS Service



**Figure 61: Dual Homed CE Connection to VPLS**

Figure 61 illustrates a dual-homed connection to VPLS service (PE-A, PE-B, PE-C, PE-D) and operation in case of link failure (between PE-C and L2-B). Upon detection of a link failure PE-C will send MAC-Address-Withdraw messages, which will indicate to all LDP peers that they should flush all MAC addresses learned from PE-C. This will lead that to a broadcasting of packets addressing affected hosts and re-learning process in case an alternative route exists.

Note that the message described here is different than the message described in draft-ietf-l2vpn-vpls-ldp-xx.txt, *Virtual Private LAN Services over MPLS*. The difference is in the interpretation and action performed in the receiving PE. According the draft definition, upon receipt of a MAC-withdraw message, all MAC addresses, except the ones learned from the source PE, are flushed, This section specifies that all MAC addresses learned from the source are flushed. This message has been implemented as an LDP address message with vendor-specific type, length, value (TLV), and is called the flush-all-from-ME message.

The draft definition message is currently used in management VPLS which is using RSTP for recovering from failures in Layer 2 topologies. The mechanism described in this document represent an alternative solution.

The advantage of this approach (as compared to RSTP based methods) is that only MAC-affected addresses are flushed and not the full forwarding database. While this method does not provide a mechanism to secure alternative loop-free topology, the convergence time is dependent on the speed of the given CE device will open alternative link (L2-B switch in [Figure 61](#)) as well as on the speed PE routers will flush their FDB.

In addition, this mechanism is effective only if PE and CE are directly connected (no hub or bridge) as it reacts to physical failure of the link.

---

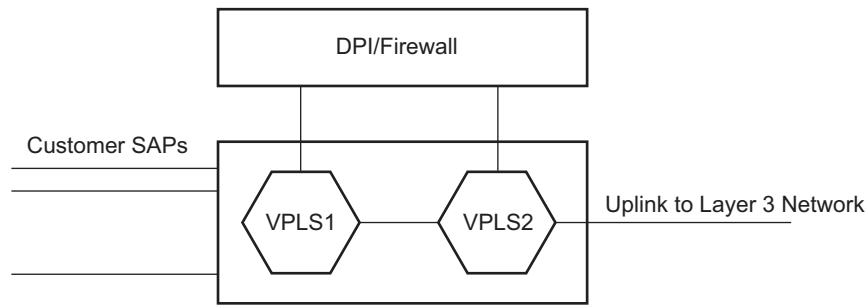
## MC-Ring and VPLS

The use of multi-chassis ring control in a combination with the plain VPLS SAP is supported FDB in individual ring nodes in case of the link (or ring node) failure cannot be cleared.

This combination is not easily blocked in the CLI. If configured, the combination may be functional but the switchover times will be proportional to MAC aging in individual ring nodes and/or to relearning rate due to downstream traffic.

Redundant plain VPLS access in ring configurations, therefore, exclude corresponding SAPs from the multi-chassis ring operation. Configurations such as mVPLS can be applied.

## ACL Next-Hop for VPLS



OSSG207

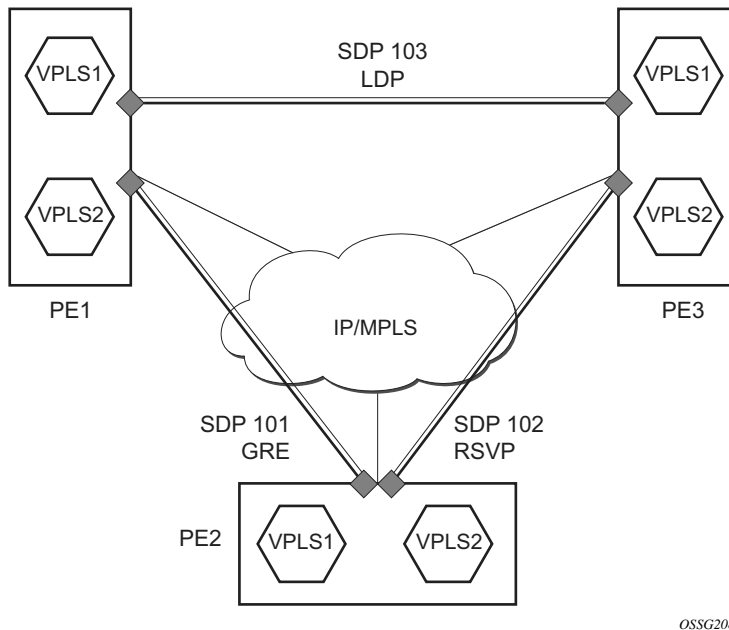
**Figure 62: Application 1 Diagram**

The ACL next-hop for VPLS feature enables an ACL that has a forward next-hop SAP or SDP action specified to be used in a VPLS service to direct traffic with specific match criteria to a SAP or SDP. This allows traffic destined to the same gateway to be split and forwarded differently based on the ACL.

Policy routing is a popular tool used to direct traffic in Layer 3 networks. As Layer 2 VPNs become more popular, especially in network aggregation, policy forwarding is required. Many providers are using methods such as DPI servers, transparent firewalls or Intrusion Detection/Prevention Systems (IDS/IPS). Since these devices are bandwidth limited providers want to limit traffic forwarded through them. A mechanism is required to direct some traffic coming from a SAP to the DPI without learning and other traffic coming from the same SAP directly to the gateway uplink based learning. This feature will allow the provider to create a filter that will forward packets to a specific SAP or SDP. The packets are then forwarded to the destination SAP regardless of learned destination or lack thereof. The SAP can either terminate a Layer 2 firewall, deep packet inspection (DPI) directly or may be configured to be part of a cross connect bridge into another service. This will be useful when running the DPI remotely using VLLs. If an SDP is used the provider can terminate it in a remote VPLS or VLL service where the firewall is connected. The filter can be configured under a SAP or SDP in a VPLS service. All packets (unicast, multicast, broadcast and unknown) can be delivered to the destination SAP/SDP.

The filter may be associated SAPs/SDPs belonging to a VPLS service only if all actions in the ACL forward to SAPs/SDPs that are within the context of that VPLS. Other services do not support this feature. An ACL that contains this feature is allowed but the system will drop any packet that matches an entry with this action.

## SDP Statistics for VPLS and VLL Services



**Figure 63: SDP Statistics for VPLS and VLL Services**

The simple three-node network described in [Figure 63](#) shows two MPLS SDPs and one GRE SDP defined between the nodes. These SDPs connect VPLS1 and VPLS2 instances that are defined in the three nodes. With this feature the operator will have local CLI based as well as SNMP based statistics collection for each VC used in the SDPs. This will allow for traffic management of tunnel usage by the different services and with aggregation the total tunnel usage.

SDP statistics allow providers to bill customers on a per-SDP per-byte basis. This destination-based billing model is can be used by providers with a variety of circuit types and have different costs associated with the circuits. An accounting file allows the collection of statistics in a bulk manner.

## BGP Auto-Discovery for LDP VPLS

BGP Auto Discovery (BGP AD) for LDP VPLS is a framework for automatically discovering the endpoints of a Layer 2 VPN offering an operational model similar to that of an IP VPN. This allows carriers to leverage existing network elements and functions, including but not limited to, route reflectors and BGP policies to control the VPLS topology.

BGP AD is an excellent complement to an already established and well deployed Layer 2 VPN signaling mechanism target LDP providing one touch provisioning for LDP VPLS where all the related PEs are discovered automatically. The service provider may make use of existing BGP policies to regulate the exchanges between PEs in the same, or in different, autonomous system (AS) domains. The addition of BGP AD procedures does not require carriers to uproot their existing VPLS deployments and to change the signaling protocol.

---

### BGP AD Overview

The BGP protocol establishes neighbor relationships between configured peers. An open message is sent after the completion of the three-way TCP handshake. This open message contains information about the BGP peer sending the message. This message contains Autonomous System Number (ASN), BGP version, timer information and operational parameters, including capabilities. The capabilities of a peer are exchanged using two numerical values: the Address Family Identifier (AFI) and Subsequent Address Family Identifier (SAFI). These numbers are allocated by the Internet Assigned Numbers Authority (IANA). BGP AD uses AFI 65 (L2VPN) and SAFI 25 (BGP VPLS). The complete list of allocations may be found at: <http://www.iana.org/assignments/address-family-numbers> and SAFI <http://www.iana.org/assignments/safi-namespace>.

---

### Information Model

Following the establishment of the peer relationship, the discovery process begins as soon as a new VPLS service instance is provisioned on the PE.

Two VPLS identifiers are used to indicate the VPLS membership and the individual VPLS instance:

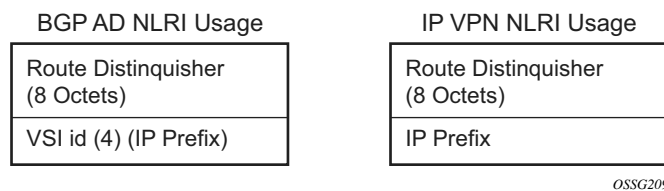
- VPLS-ID — Membership information, unique network wide identifier; same value assigned for all VPLS switch instances (VSIs) belonging to the same VPLS; encodable and carried as a BGP extended community in one of the following formats:
  - A two-octet AS specific extended community
  - An IPv4 address specific extended community



- **VSI-ID**— The unique identifier for each individual VSI, built by concatenating a route distinguisher (RD) with a 4 bytes identifier (usually the system IP of the VPLS PE); encoded and carried in the corresponding BGP NLRI.

In order to advertise this information, BGP AD employs a simplified version of the BGP VPLS NLRI where just the RD and the next 4 bytes are used to identify the VPLS instance. There is no need for Label Block and Label Size fields as T-LDP will take care of signaling the service labels later on.

The format of the BGP AD NLRI is very similar with the one used for IP VPN as depicted in [Figure 64](#). The system IP may be used for the last 4 bytes of the VSI ID further simplifying the addressing and the provisioning process.



**Figure 64: BGP AD NLRI versus IP VPN NLRI**

Network Layer Reachability Information (NLRI) is exchanged between BGP peers indicating how to reach prefixes. The NLRI is used in the Layer 2 VPN case to tell PE peers how to reach the VSI rather than specific prefixes. The advertisement includes the BGP next hop and a route target (RT). The BGP next hop indicates the VSI location and is used in the next step to determine which signaling session is used for pseudowire signaling. The RT, also coded as an extended community, can be used to build a VPLS full mesh or a HVPLS hierarchy through the use of BGP import/export policies.

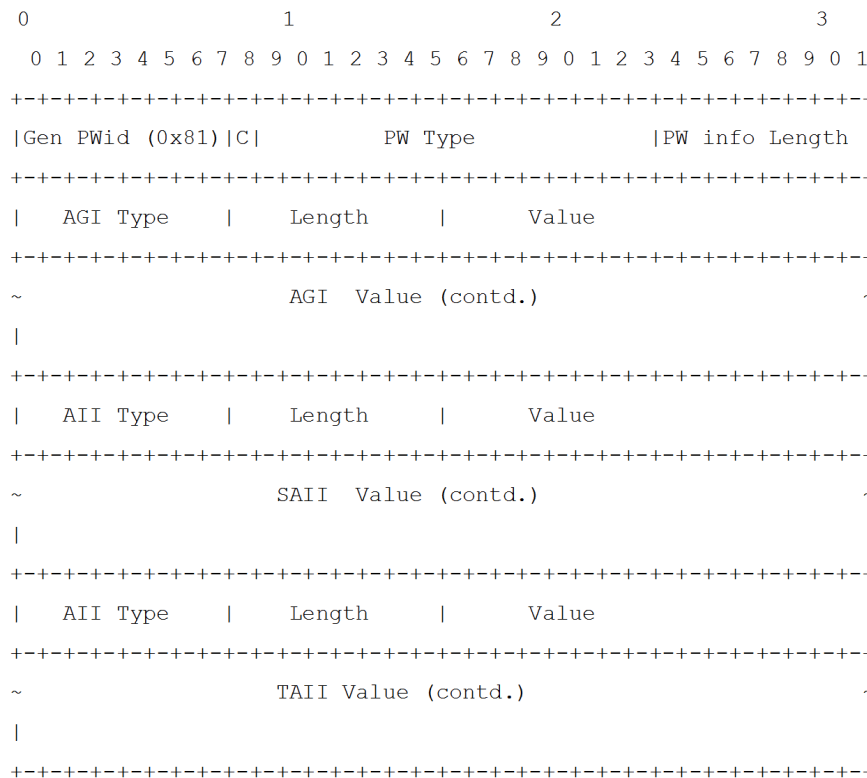
BGP is only used to discover VPN endpoints and the corresponding far end PEs. It is not used to signal the pseudowire labels. This task remains the responsibility of targeted-LDP (T-LDP).

## FEC Element for T-LDP Signaling

Two LDP FEC elements are defined in RFC 4447, *PW Setup & Maintenance Using LDP*. The original pseudowire-ID FEC element 128 (0x80) employs a 32-bit field to identify the virtual circuit ID and it was used extensively in the initial VPWS and VPLS deployments. The simple format is easy to understand but it does not provide the required information model for BGP auto-discovery function. In order to support BGP AD and other new applications a new Layer 2 FEC element, the generalized FEC (0x81) is required.

The generalized pseudowire-ID FEC element has been designed for auto discovery applications. It provides a field, the address group identifier (AGI), that is used to signal the membership information from the VPLS-ID. Separate address fields are provided for the source and target address associated with the VPLS endpoints called the Source Attachment Individual Identifier (SAII) and respectively, Target Attachment Individual Identifier (TAII). These fields carry the VSI ID values for the two instances that are to be connected through the signaled pseudowire.

The detailed format for FEC 129 is depicted in [Figure 65](#).



**Figure 65: Generalized Pseudowire-ID FEC Element**

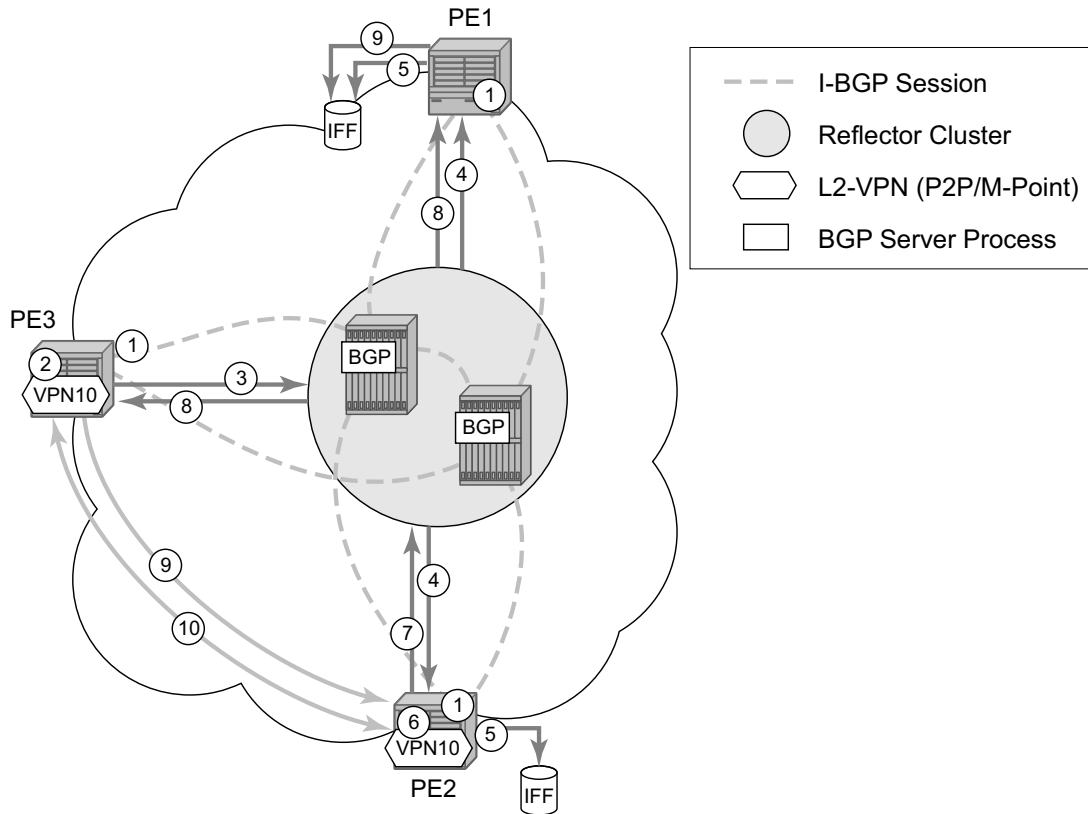
Each of the FEC fields are designed as a sub-TLV equipped with its own type and length providing support for new applications. To accommodate the BGP AD information model the following FEC formats are used:

- AGI (type 1) is identical in format and content with the BGP extended community attribute used to carry the VPLS-ID value.
  - Source AII (type 1) is a 4 bytes value destined to carry the local VSI-id (outgoing NLRI minus the RD).
  - Target AII (type 1) is a 4 bytes value destined to carry the remote VSI-ID (incoming NLRI minus the RD).
- 

## BGP-AD and Target LDP (T-LDP) Interaction

BGP is responsible for discovering the location of VSIs that share the same VPLS membership. LDP protocol is responsible for setting up the pseudowire infrastructure between the related VSIs by exchanging service specific labels between them.

Once the local VPLS information is provisioned in the local PE, the related PEs participating in the same VPLS are identified through BGP AD exchanges. A list of far-end PEs is generated and will trigger the creation, if required, of the necessary T-LDP sessions to these PEs and the exchange of the service specific VPN labels. The steps for the BGP AD discovery process and LDP session establishment and label exchange are shown in [Figure 66](#).



OSSG210

**Figure 66: BGP-AD and T-LDP Interaction**

Key:

1. Establish I-BGP connectivity RR.
2. Configure VPN (10) on edge node (PE3).
3. Announce VPN to RR using BGP-AD.
4. Send membership update to each client of the cluster.
5. LDP exchange or inbound FEC filtering (IFF) of non-match or VPLS down.
6. Configure VPN (10) on edge node (PE2).
7. Announce VPN to RR using BGP-AD.
8. Send membership update to each client of the cluster.
9. LDP exchange or inbound FEC filtering (IFF) of non-match or VPLS down.
10. Complete LDP bidirectional pseudowire establishment FEC 129.

## SDP Usage

Service Access Points (SAP) are linked to transport tunnels using Service Distribution Points (SDP). The service architecture allows services to be abstracted from the transport network.

MPLS transport tunnels are signaled using the Resource Reservation Protocol (RSVP-TE) or by the Label Distribution Protocol (LDP). The capability to automatically create an SDP only exists for LDP based transport tunnels. Using a manually provisioned SDP is available for both RSVP-TE and LDP transport tunnels. Refer to the appropriate OS MPLS Guide for more information about MPLS, LDP, and RSVP.

---

## Automatic Creation of SDPs

When BGP AD is used for LDP VPLS and LDP is used as the transport tunnel there is no requirement to manually create an SDP. The LDP SDP can be automatically instantiated using the information advertised by BGP AD. This simplifies the configuration on the service node.

Enabling LDP on the IP interfaces connecting all nodes between the ingress and the egress builds transport tunnels based on the best IGP path. LDP bindings are automatically built and stored in the hardware. These entries contain an MPLS label pointing to the best next hop along the best path toward the destination.

When two endpoints need to connect and no SDP exists, a new SDP will automatically be constructed. New services added between two endpoints that already have an automatically created SDP will be immediately used. No new SDP will be constructed. The far-end information is gleaned from the BGP next hop information in the NLRI. When services are withdrawn with a BGP\_Unreach\_NLRI, the automatically established SDP will remain up as long as at least one service is connected between those endpoints. An automatically created SDP will be removed and the resources released when the only or last service is removed.

The service provider has the option of associating the auto-discovered SDP with a split-horizon-group using the **pw-template-binding** option in order to control the forwarding between pseudowires and to prevent Layer 2 service loops.

An auto-discovered SDP using a **pw-template-binding** without a split-horizon-group configured, will have similar traffic flooding behavior as a spoke-SDP.

---

## Manually Provisioned SDP

The carrier is required to manually provision the SDP if they create transport tunnels using RSVP-TE. Operators have the option to choose a manually configured SDP if they use LDP as the tunnel signaling protocol. The functionality is the same regardless of the signaling protocol.

Creating a BGP AD enabled VPLS service on an ingress node with the manually provisioned SDP option causes the Tunnel Manager to search for an existing SDP that connects to the far-end PE. The far-end IP information is gleaned from the BGP next hop information in the NLRI. If a single SDP exists to that PE, it is used. If no SDP is established between the two endpoints, the service will remain down until a manually configured SDP becomes active.

When multiple SDPs exist between two endpoints, the tunnel manager will select the appropriate SDP. The algorithm will prefer SDPs with the best (lower) metric. Should there be multiple SDPs with equal metrics, the operational state of the SDPs with the best metric will be considered. If the operational state is the same, the SDP with the higher sdp-id will be used. If an SDP with a preferred metric is found with an operational state that is not active, the tunnel manager will flag it as ineligible and restart the algorithm.

---

### Automatic Instantiation of Pseudowires (SDP Bindings)

The choice of manual or auto provisioned SDPs has limited impact on the amount of required provisioning. Most of the savings are achieved through the automatic instantiation of the pseudowire infrastructure (SDP bindings). This is achieved for every auto-discovered VSIs through the use of the pseudowire template concept. Each VPLS service that uses BGP AD contains the “pw-template-binding” option defining specific layer 2 VPN parameters. This command references a “pw-template” which defines the pseudowire parameters. The same “pw-template” may be referenced by multiple VPLS services. As a result, changes to these pseudowire templates have to be treated with great care as they may impact many customers at once.

The Alcatel-Lucent implementation provides for safe handling of pseudowire templates. Changes to the pseudowire templates are not automatically propagated. Tools are provided to evaluate and distribute the changes. The following command is used to distribute changes to a “pw-template” at the service level to one or all services that use that template.

#### **PERs-4# tools perform service id 300 eval-pw-template 1 allow-service-impact**

If the service ID is omitted, then all services will be updated. The type of change made to the “pw-template” will influence how the service is impacted.

1. Adding or removing a split-horizon-group will cause the router to destroy the original object and recreate using the new value.
2. Changing parameters in the **vc-type {ether | vlan}** command requires LDP to re-signal the labels.

Both of these changes are service affecting. Other changes will not be service affecting.

## Mixing Statically Configured and Auto-Discovered Pseudowires in a VPLS

The services implementation allows for manually provisioned and auto-discovered pseudowire (SDP bindings) to coexist in the same VPLS instance (for example, both FEC128 and FEC 129 are supported). This allows for gradual introduction of auto discovery into an existing VPLS deployment.

As FEC 128 and 129 represent different addressing schemes, it is important to make sure that only one is used at any point in time between the same two VPLS instances. Otherwise, both pseudowires may become active causing a loop that might adversely impact the correct functioning of the service. It is recommended that FEC128 pseudowire be disabled as soon as the FEC129 addressing scheme is introduced in a portion of the network. Alternatively, RSTP may be used during the migration as a safety mechanism to provide additional protection against operational errors.

---

## Resiliency Schemes

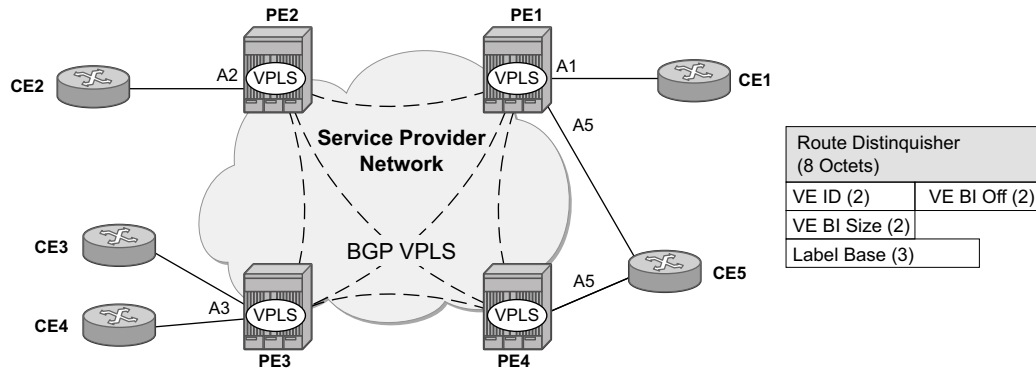
The use of BGP AD on the network side, or in the backbone, does not affect the different resiliency schemes Alcatel-Lucent has developed in the access network. This means that both Multi-Chassis Link Aggregation (MC-LAG) and Management-VPLS (M-VPLS) can still be used.

BGP AD may coexist with Hierarchical-VPLS (H-VPLS) resiliency schemes (for example, dual homed MTU-s devices to different PE-rs nodes) using existing methods (M-VPLS and statically configured Active/Standby pseudowire endpoint).

If provisioned SDPs are used by BGP AD, M-VPLS may be employed to provide loop avoidance. However, it is currently not possible to auto-discover active/standby pseudowires and to instantiate the related endpoint.

## BGP VPLS

The Alcatel-Lucent BGP VPLS solution, compliant with RFC 4761, *Virtual Private LAN Service (VPLS) Using BGP for Auto-Discovery and Signaling*, is described in this section.



OSSG488

**Figure 67: BGP VPLS Solution**

Figure 67 depicts the service representation for BGP VPLS mesh. The major BGP VPLS components and the deltas from LDP VPLS with BGP AD are explained below:

- Data plane is identical with the LDP VPLS solution: for example, VPLS instances interconnected by pseudowire mesh. Split horizon groups may be used for loop avoidance between pseudowires.
- Addressing is based on two (2) bytes VE ID assigned to the VPLS instance.
  - BGP-AD for LDP VPLS: 4 bytes VSI-ID (system IP) identifies the VPLS instance.
- The target VPLS instance is identified by the Route Target (RT) contained in the MP-BGP advertisement (extended community attribute).
  - BGP-AD: a new MP-BGP extended community is used to identify the VPLS. RT is used for topology control.
- Auto-discovery is MP-BGP based. Same AFI, SAFI used as for LDP VPLS BGP-AD.
  - The BGP VPLS updates are distinguished from the BGP-AD ones based on the value of the NLRI prefix length: 17 bytes for BGP VPLS, 12 bytes for BGP-AD.
  - BGP-AD NLRI is shorter since there is no need to carry pseudowire label information as T-LDP does the pseudowire signaling for LDP VPLS.
- Pseudowire label signaling is MP-BGP based. As a result the BGP NLRI content includes also label related information – for example, block offset, block size and label base.
  - LDP VPLS: target LDP (T-LDP) is used for signaling the pseudowire service label.



- The Layer 2 extended community proposed in RFC 4761 is used to signal pseudowire characteristics – for example, VPLS status, control word, sequencing.

---

## Pseudowire Signaling Details

The pseudowire is setup using the following NLRI fields:

- VE Block offset (VBO): used to define for each VE-ID set the NLRI is targeted:
  - $VBO = n * VBS + 1$  ; for  $VBS=8$  this results in 1, 9, 17, 25, ...
  - Targeted Remote VE-IDs are from VBO to  $(VBO + VBS - 1)$
- VE Block size (VBS): defines how many contiguous pseudowire labels are reserved starting with the Label Base.
  - Alcatel-Lucent implementation uses always a value of eight (8).
- Label Base (LB): local allocated label base.
  - The next eight (8) labels allocated for remote PEs.

This BGP update is telling the other PE(s) that accept the RT: “in order to reach me (VE-ID = x) use a pseudowire label of  $LB + VE-ID - VBO$  using the BGP NLRI for which  $VBO \leq \text{local VE-ID} < VBO + VBS$ .”

Here is an example of how this algorithm works assuming PE1 has VE-ID 7 configured:

- PE1 finds a Label Block of eight (8) consecutive labels available, starting with LB = 1000
- PE1 then starts sending BGP Update with pseudowire information of ( $VBO = 1, VBS=8, LB=1000$ ) in the NLRI.
- This pseudowire information will be accepted by all participating PEs with VE-IDs from one (1) to eight (8).
- Each of the receiving PEs will use the pseudowire label =  $LB + VE-ID - VBO$  to send traffic back to the originator PE. For example VE-ID 2 will use pseudowire label 1001.

Assuming that VE-ID = 10 is configured in another PE4 the following procedure applies:

- PE4 sends BGP Update with the new VE-ID in the network that will be received by all the other participating PEs, including PE1.
- PE1 upon reception will generate another label block of 8 labels for the  $VBO = 9$ . For example the initial PE will create now new pseudowire signaling information of ( $VBO = 9, VBS = 8, LB = 3000$ ) and insert it in a new NLRI and BGP Update that is sent in the network.

- This new NLRI will be used by the VE-ID from 9 to 16 to establish pseudowires back to the originator PE1. For example PE4 with VE-ID 10 will use pseudowire label 3001 to send VPLS traffic back to PE1.
- The PEs owning the set of VE-IDs from 1 to 8 will ignore this NLRI.

In addition to the pseudowire label information, the **Layer2 Info Extended Community** attribute must be included in the BGP Update for BGP VPLS to signal the attributes of all the pseudowires that converge towards the originator VPLS PE.

The format is described below:

```

+-----+
| Extended community type (2 octets) |
+-----+
| Encaps Type (1 octet) |
+-----+
| Control Flags (1 octet) |
+-----+
| Layer-2 MTU (2 octet) |
+-----+
| Reserved (2 octets) |
+-----+
    
```

The meaning of the fields:

- Extended community type – the value allocated by IANA for this attribute is 0x800A
- Encaps Type - Encapsulation type, identifies the type of pseudowire encapsulation. The only value used by BGP VPLS is 19 (13 in HEX). This value identifies the encapsulation to be used for pseudowire instantiated through BGP Signaling which is the same as the one used for Ethernet pseudowire type in regular VPLS. There is no support for an equivalent Ethernet VLAN pseudowire in BGP VPLS in BGP signaling.
- Control Flags - control information regarding the pseudowires, see below for details.
- Layer-2 MTU is the Maximum Transmission Unit to be used on the pseudowires.
- Reserved – this field is reserved and must be set to zero and ignored on reception except where it is used for VPLS preference.

The detailed format for the Control Flags bit vector is described below:

```

0 1 2 3 4 5 6 7
+-----+
|D| MBZ      |C|S| (MBZ = MUST Be Zero)
+-----+
    
```

The following bits in the Control Flags are defined:

- S, sequenced delivery of frames MUST or MUST NOT be used when sending VPLS packets to this PE, depending on whether S is 1 or 0, respectively
- C, a Control word MUST or MUST NOT be present when sending VPLS packets to this PE, depending on whether C is 1 or 0, respectively. By default, Alcatel-Lucent implementation uses value 0.
- MBZ, Must Be Zero bits, set to zero when sending and ignored when receiving.
- D indicates the status of the whole VPLS instance (VSI); D=0 if Admin & Operational status are up, D=1 otherwise.

Here are the events that set the D-bit to 1 to indicate VSI down status in BGP update message sent out from a PE:

- local VSI is shutdown administratively using the “config service vpls shutdown”
- all the related endpoints (SAPs or LDP pseudowires) are down
- There are no related endpoints (SAPs or LDP pseudowires) configured yet in the VSI  
→ The idea is to save the core bandwidth by not establishing the BGP pseudowires to an empty VSI
- Upon reception of a BGP Update message with D-bit set to 1 all the receiving VPLS PEs must mark related pseudowires as down.

The following events do not set the D-bit to 1:

- The local VSI is deleted — a BGP Update with unreachable-NLRI is sent out. Upon reception all remote VPLS PEs must remove the related pseudowires and BGP routes.
- If the local SDP goes down, only the BGP pseudowire(s) mapped to that SDP goes down. There is no BGP-update sent.

---

## Supported VPLS Features

BGP VPLS just added support for a new type of pseudowire signaling based on MP-BGP. It is based on the existing VPLS instance hence it inherited all the existing Ethernet switching functions. Here are some of the most important existing VPLS features ported also to BGP VPLS:

- VPLS data plane features: for example FIB management, SAPs, LAG access, BUM rate limiting.
- MPLS tunneling: LDP, LDP over RSVP-TE, RSVP-TE, MP-BGP based on RFC3107 (Option C solution)
- HVPLS topologies, Hub and Spoke traffic distribution
- Coexists with LDP VPLS (with or without BGP-AD) in the same VPLS instance.  
→ LDP, BGP-signaling should operate in disjoint domains to simplify loop avoidance

## BGP VPLS

- Coexist with BGP-based multi-homing.
- BGP VPLS is supported as the control plane for BVPLS.
- Supports IGMP/PIM snooping
- Support for High Availability is provided
- Ethernet Service OAM toolset is supported: IEEE 802.1ag, Y.1731.  
→ Not supported OAM features: CPE Ping, MAC trace/ping/populate/purge.
- Support for RSVP and LSP P2MP LSP for VPLS/B-VPLS BUM

## VCCV BFD Support for VPLS Services

The SR OS supports RFC 5885, which specifies a method for carrying BFD in a pseudowire-associated channel. For general information about VCCV BFD, limitations, and configuring, see the VLL Services chapter.

VCCV BFD is supported on the following VPLS Services:

- T-LDP spoke-SDP termination on VPLS (including iVPLS, bVPLS, and rVPLS)
- H-VPLS spoke-SDP
- BGP VPLS
- VPLS with BGP auto-discovery

To configure VCCV BFD for H-VPLS (where the pseudowire template does not apply), configure the BFD template using the command **config>service>vpls>spoke-sdp>bfd-template** *name* and then enable it using the **config>service>vpls>spoke-sdp>bfd-enable** command.

For BGP VPLS, a BFD template is referenced from the pseudowire template binding context. To configure VCCV BFD for BGP VPLS, use the command **config>service>vpls>bgp>pw-template-binding>bfd-template** *name* and enable it using the command **config>service>vpls>bgp>pw-template-binding>bfd-enable**.

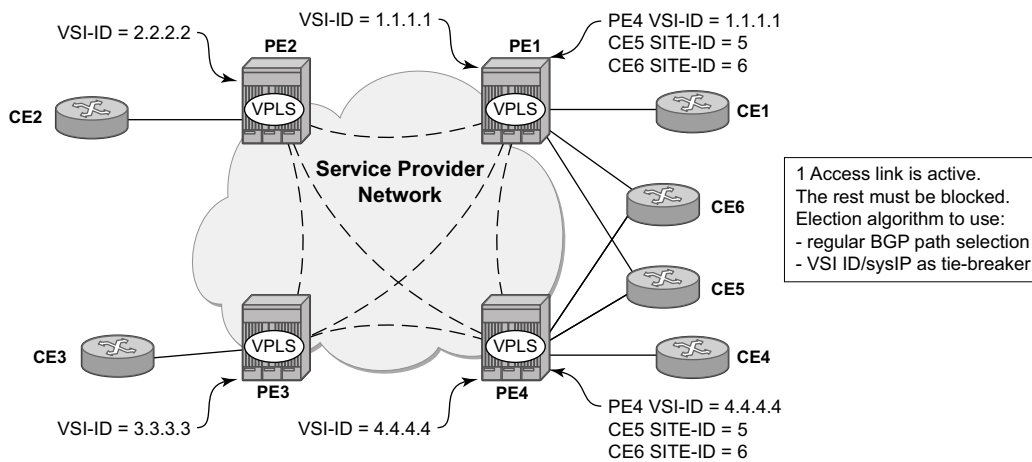
For BGP-AD VPLS, a BFD template is referenced from the pseudowire template context. To configure VCCV BFD for BGP-AD, use the command **config>service>vpls>bgp-ad>pw-template-binding>bfd-template** *name* and enable it using the command **config>service>vpls>bgp-ad>pw-template-binding>bfd-enable**.

## BGP Multi-Homing for VPLS

This section describes BGP based procedures for electing a designated forwarder among the set of PEs that are multi-homed to a customer site. Only the local PEs are actively participating in the selection algorithm. The PE(s) remote from the dual homed CE are not required to participate in the designated forwarding election for a remote dual-homed CE.

The main components of the BGP based multi-homing solution for VPLS are:

- Provisioning model
- MP-BGP procedures
- Designated Forwarder Election
- Blackhole avoidance – indicating the designated forwarder change towards the core PEs and access PEs or CEs
- The interaction with pseudowire signaling (BGP/LDP)



OSSG489

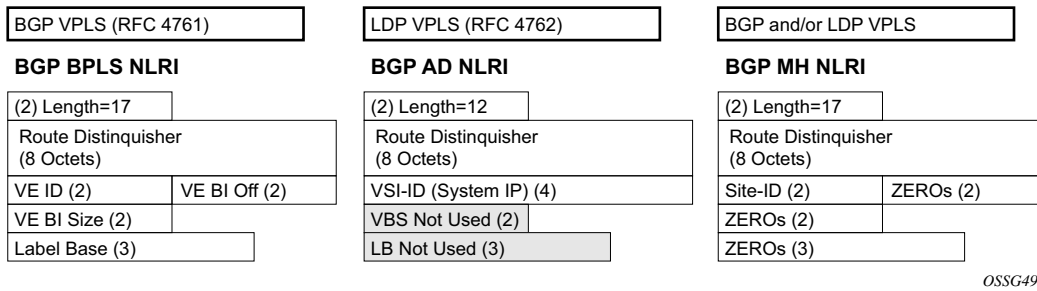
**Figure 68: BGP Multi-Homing for VPLS**

Figure 68 depicts the VPLS using BGP Multi-homing for the case of multi-homed CEs. Although the picture depicts the case of a pseudowire infrastructure signaled with LDP for a LDP VPLS using BGP-AD for discovery, the procedures are identical for BGP VPLS or for a mix of BGP and LDP signaled pseudowires.

## Information Model and Required Extensions to L2VPN NLRI

VPLS Multi-homing using BGP-MP expands on the BGP AD and BGP VPLS provisioning model. The addressing for the Multi-homed site is still independent from the addressing for the base VSI (VSI-ID or respectively VE-ID). Every multi-homed CE is represented in the VPLS context through a site-id, which is the same on the local PEs. The site-id is unique within the scope of a VPLS. It serves to differentiate between the multi-homed CEs connected to the same VPLS Instance (VSI). For example, in Figure 69, CE5 will be assigned the same site-id on both PE1 and PE4. For the same VPLS instance though, different SITE-IDs are assigned for multi-homed CE5 and CE6: for example, site id 5 is assigned for CE5 and site id 6 is assigned for CE6. The single-homed CEs (CE1, 2, 3 and 4) do not require allocation of a multi-homed site-id. They are associated with the addressing for the base VSI, either VSI-ID or VE-ID.

The new information model required changes to the BGP usage of the NLRI for VPLS. The extended MH NLRI for Multi-Homed VPLS is compared with the BGP AD and BGP VPLS NLRI in Figure 69.



**Figure 69: BGP MH-NLRI for VPLS Multi-Homing**

The BGP VPLS NLRI described in RFC 4761 is used to carry a two (2) byte site-ID that identifies the MH Site. The last seven (7) bytes of the BGP VPLS NLRI used to instantiate the pseudowire are not used for BGP-MH and are ZEROed out. This NLRI format translates into the following processing path in the receiving VPLS PE:

- BGP VPLS PE: no Label information means there is no need to setup up a BGP pseudowire
- BGP AD for LDP VPLS: length =17 indicates a BGP VPLS NLRI that does not require any pseudowire LDP Signaling.

The processing procedures described in this section start from the above identification of the BGP Update as not destined for pseudowire signaling.

The RD ensures the NLRIs associated with a certain site-id on different PEs are seen as different by any of the intermediate BGP nodes (RRs) on the path between the multi-homed PEs. In other words, different RDs must be used on the MH PEs every time an RR or an ASBR is involved to guarantee the MH NLRIs reach the PEs involved in VPLS MH.

The L2-Info extended community from RFC 4761 is used in the BGP update for MH NLRI to initiate a MAC flush for blackhole avoidance to indicate the operational and admin status for the MH Site or the DF election status.

After the pseudowire infrastructure between VSIs is built using either RFC 4762, *Virtual Private LAN Service (VPLS) Using Label Distribution Protocol (LDP) Signaling*, or RFC 4761 procedures or a mix of pseudowire Signaling procedure, on activation of a multi-homed site, an election algorithm must be run on the local and remote PEs to determine which site will be the designated forwarder (DF). The end result is that all the related MH sites in a VPLS will be placed in standby except for the site selected as DF. Alcatel-Lucent BGP-based multi-homing solution uses the DF election procedure described in the IETF working group document *draft-ietf-l2vpn-vpls-multihoming*. The implementation allows the use of BGP Local Preference and the received VPLS preference but does not support setting the VPLS preference to a non-zero value.

The implementation allows the use of BGP Local Preference and the received VPLS preference, but does not support setting the VPLS preference to a non-zero value.

---

## Supported Services and Multi-Homing Objects

This feature is supported for the following services:

- LDP VPLS with or without BGP-AD
- BGP VPLS
- mix of the above
- PBB BVPLS on BCB
- PBB I-VPLS (see the *IEEE 802.1ah PBB Guide* for more information)

The following access objects can be associated with MH SITE:

- SAPs
- SDP bindings (pseudowire object), both mesh SDP and spoke SDP
- Split Horizon Group
  - Under the SHG we can associate either one or multiple of the following objects:  
SAP(s), pseudowires (BGP VPLS, BGP-AD, provisioned and LDP signaled spoke SDP and mesh SDP)



## Blackhole Avoidance

Blackholing refers to the forwarding of frames to a PE that is no longer carrying the designated forwarder. This could happen for traffic from:

- Core PE participating in the main VPLS
- Customer Edge devices (CEs)
- Access PEs - pseudowires between them and the MH PEs are associated with MH Sites

Changes in DF election results or MH site status must be detected by all of the above network elements to provide for Blackhole Avoidance.

---

## MAC Flush to the Core PEs

Assuming there is a transition of the existing DF to non-DF status. The PE that owns the MH site experiencing this transition will generate a MAC flush-all-from-me (negative MAC flush) towards the related core PEs. Upon reception, the remote PEs will flush all the MACs learned from the MH PE.

MAC flush-all-from-me indication is sent using the following core mechanisms:

- For LDP VPLS running between core PEs, existing LDP MAC flush will be used.
  - For pseudowire signaled with BGP VPLS, MAC flush will be provided implicitly using the L2-Info Extended community to indicate a transition of the active MH-site: for example the attached object(s) going down or more generically, the entire site going from Designated Forwarder (DF) to non-DF.
  - Note that double flushing will not happen as it is expected that between any pair of PEs it will exist only one type of pseudowires – either BGP or LDP pseudowire but not both.
- 

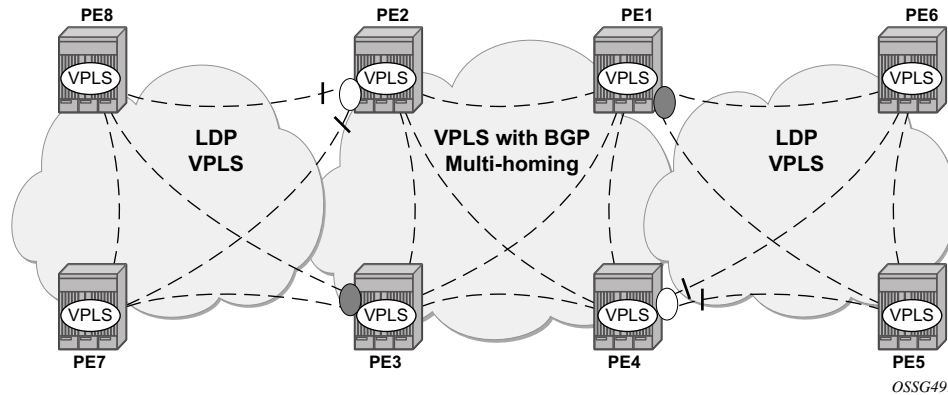
## Indicating non-DF status towards the access PE or CE

For the CEs or access PEs support is provided for indicating the blocking of the MH site using the following procedures:

- For MH Access PE running LDP pseudowires the LDP standby-status is sent to all LDP pseudowires.
- For MH CEs site de-activation is linked to a CCM failure on a SAP that has a down MEP configured.

## BGP Multi-Homing for VPLS Inter-Domain Resiliency

BGP MH for VPLS can be used to provide resiliency between different VPLS domains. An example of a Multi-Homing topology is depicted in [Figure 70](#).



**Figure 70: BGP MH Used in an HVPLS Topology**

LDP VPLS domains are interconnected using a core VPLS domain either BGP VPLS or LDP VPLS. The gateway PEs, for example PE2 and PE3, are running BGP multi-homing where one MH site is assigned to each of the pseudowires connecting the access PE, PE7, and PE8 in this example.

Alternatively, one may choose to associate the MH site to multiple access pseudowires using an access SHG. The `config>service>vpls>site>failed-threshold` command can be used to indicate the number of pseudowire failures that are required for the MH site to be declared down.

## Multicast-Aware VPLS

VPLS is a Layer 2 service, hence, multicast and broadcast frames are normally flooded in a VPLS. Broadcast frames are targeted to all receivers. However, for IP multicast, normally for a multicast group, only some receivers in the VPLS are interested. Flooding to all sites can cause wasted network bandwidth and unnecessary replication on the ingress PE router.

In order to improve this condition, VPLS is IP multicast aware so it forwards IP multicast traffic based on multicast states.

---

## PIM Snooping for VPLS

PIM snooping for VPLS allows a VPLS PE router to build multicast states by snooping PIM protocol packets that are sent over the VPLS. The VPLS PE then forwards multicast traffic based on the multicast states. When all receivers in a VPLS are IP multicast routers running PIM, multicast forwarding in the VPLS is efficient when PIM snooping for VPLS is enabled.

Because of PIM join/prune suppression, in order to make PIM snooping operate over VPLS pseudowires, two options are available, plain PIM snooping and PIM proxy. PIM proxy is the default behavior when PIM snooping is enabled for a VPLS.

---

## Plain PIM Snooping

In plain PIM snooping configuration, VPLS PE routers only snoop, PIM messages generated on their own. Join/prune suppression must be disabled on CE routers.

When plain PIM snooping is configured, a VPLS PE router detects a condition where join/prune suppression is not disabled on one or multiple CE routers, the PE router should put PIM snooping into PIM proxy state. A trap is generated which reports the condition to the operator and is logged to syslog. If the condition changes, for example, join/prune suppression was disabled on CE routers, the PE reverts to plain PIM snooping state. A trap is generated and is logged to syslog.

## PIM Proxy

For PIM proxy configurations, VPLS PE routers perform the following:

- Snoop hellos and flood hellos in fast data path.
- Consume join/prune messages from CE routers.
- Generate join/prune messages upstream using the IP address of one of the downstream CE routers.
- Run an upstream PIM state machine to determine whether a join/prune message should be sent upstream.

Join/prune suppression is not required to be disabled on CE routers, but it requires all PEs in the VPLS to have PIM proxy enabled. Otherwise, CEs behind the PE(s) that do not have PIM proxy enabled may not be able to get multicast traffic that they are interested in if they have join/prune suppression enabled.

When PIM proxy is enabled, but a VPLS PE router detects a condition where join/prune suppression is disabled on all CE routers, the PE router put PIM proxy into a plain PIM snooping state to improve efficiency. A trap is generated to report the scenario to the operator and is logged to syslog. If the condition changes, for example, join/prune suppression enabled on a CE router, PIM proxy is placed back into operational state. Again, a trap is generated to report the condition to the operator and is logged to syslog.

## Multicast Listener Discovery (MLD) Snooping and MAC-Based Multicast Forwarding

VPLS-based transport is a popular architecture as it better handles IPv6 multicast on the transport configurations for those backbones who use IPv6 instead of IPv4.

The VPLS based transport architecture combines MLD snooping and MAC based multicast forwarding.

---

### MLD Snooping

MLD snooping is basically a IPv6 version of IGMP snooping. The guidelines and procedures are similar to IGMP snooping as well.

---

### MAC-Based IPv6 Multicast Forwarding

IPv6 multicast address to MAC address mapping — Ethernet MAC addresses in the range of 33-33-00-00-00-00 to 33-33-FF-FF-FF-FF are reserved for IPv6 multicast. To map an IPv6 multicast address to a MAC-layer multicast address, the low order 32 bits of the IPv6 multicast address are mapped directly to the low order 32 bits in the MAC-layer multicast address.

IPv6 multicast forwarding entries — IPv6 multicast snooping forwarding entries are based on MAC addresses, while native IPv6 multicast forwarding entries are based on IPv6 addresses (supported on 7750 SR with IOM2). Thus, when both MLD snooping and native IPv6 multicast are enabled on the same device, both formats are supported on the same IOM2, although they are used for different services.

## PIM and IGMP Snooping Interaction

This section describes how to handle the scenario where IGMP snooping and PIM snooping are both enabled for the same VPLS.

When both PIM snooping and IGMP snooping are enabled for a VPLS, multicast traffic is forwarded based on the combined multicast forwarding table.

---

## VPLS Multicast-Aware High Availability Features

The following features are HA capable:

- Configuration redundancy — All the VPLS multicast-aware configurations can be synchronized to the standby CPM.
- Local snooping states as well as states distributed by LDP can be synchronized to the standby CPM.
- Operational states can also be synchronized, for example, the operational state of PIM proxy.

## RSVP and LDP P2MP LSP for Forwarding VPLS/B-VPLS BUM and IP Multicast Packets

This feature enables the use of a P2MP LSP as the default tree for forwarding Broadcast, Unicast unknown and Multicast (BUM) packets of a VPLS or B-VPLS instance. The P2MP LSP is referred to in this case as the Inclusive Provider Multicast Service Interface (I-PMSI).

When enabled, this feature relies on BGP Auto-Discovery (BGP-AD) or BGP-VPLS to discover the PE nodes participating in a given VPLS/B-VPLS instance. The BGP route contains the information required to signal both the point-to-point (P2P) PWs used for forwarding unicast known Ethernet frames and the RSVP P2MP LSP used to forward the BUM frames. The root node signals the P2MP LSP based on an LSP template associated with the I-PMSI at configuration time. The leaf node will join automatically the P2MP LSP which matches the I-PMSI tunnel information discovered via BGP.

If IGMP or PIM snooping are configured on the VPLS/B-VPLS instance, multicast packets matching a L2 multicast Forwarding Information Base (FIB) record will also be forwarded over the P2MP LSP.

The user enables the use of an RSVP P2MP LSP as the I-PMSI for forwarding Ethernet BUM and IP multicast packets in a VPLS/B-VPLS instance using the following commands:

```
config>service>vpls [b-vpls]>provider-tunnel>inclusive>rsvp>lsp-template p2mp-lsp-template-name
```

The user enables the use of an LDP P2MP LSP as the I-PMSI for forwarding Ethernet BUM and IP multicast packets in a VPLS instance using the following command:

```
config>service>vpls [b-vpls]>provider-tunnel>inclusive>mldp
```

After the user performs a ‘no shutdown’ under the context of the inclusive node and the expiration of a delay timer, BUM packets will be forwarded over an automatically signaled mLDP P2MP LSP or over an automatically signaled instance of the RSVP P2MP LSP specified in the LSP template.

The user can specify if the node is both root and leaf in the VPLS instance:

```
config>service>vpls [b-vpls]>provider-tunnel>inclusive>root-and-leaf
```

The **root-and-leaf** command is required; otherwise, this node will behave as a leaf only node by default. When the node is leaf only for the I-PMSI of type P2MP RSVP LSP, no PMSI Tunnel Attribute is included in BGP-AD route update messages and thus no RSVP P2MP LSP is signaled but the node can join RSVP P2MP LSP rooted at other PE nodes participating in this VPLS/B-VPLS service. Note that the user must still configure a LSP template even if the node is a leaf only. For the I-PMSI of type mLDP, the leaf-only node will join I-PMSI rooted at other nodes it

discovered but will not include a PMSI Tunnel Attribute in BGP route update messages. This way, a leaf only node will forward packets to other nodes in the VPLS/B-VPLS using the point-to-point spoke SDPs.

Note that BGP-AD (or BGP-VPLS) must have been enabled in this VPLS/B-VPLS instance or the execution of the ‘no shutdown’ command under the context of the inclusive node is failed and the I-PMSI will not come up.

Any change to the parameters of the I-PMSI, such as disabling the P2MP LSP type or changing the LSP template requires that the inclusive node be first shutdown. The LSP template is configured in MPLS.

If the P2MP LSP instance goes down, VPLS/B-VPLS immediately reverts the forwarding of BUM packets to the P2P PWs. The user can, however, restore at any time the forwarding of BUM packets over the P2P PWs by performing a ‘shutdown’ under the context of the inclusive node.

This feature is supported with VPLS, H-VPLS, B-VPLS and BGP-VPLS. It is not supported with I-VPLS and Routed VPLS.



## Routed VPLS and I-VPLS

---

### IES or VPRN IP Interface Binding

A standard IP interface within an existing IES or VPRN service context may be bound to a service name. Subscriber and group IP interfaces are not allowed to bind to a VPLS or I-VPLS service context or I-VPLS. **For the remainder of this section Routed VPLS and Routed I-VPLS will both be described as a VPLS service and differences will be pointed out where applicable.** A VPLS service only supports binding for a single IP interface.

While an IP interface may only be bound to a single VPLS service, the routing context containing the IP interface (IES or VPRN) may have other IP interfaces bound to other VPLS service contexts of the same type (all VPLS or all I-VPLS). In other words, Routed VPLS allows the binding of IP interfaces in IES or VPRN services to be bound to VPLS services and Routed I-VPLS allows of IP interfaces in IES or VPRN services to be bound to I-VPLS services.

---

### Assigning a Service Name to a VPLS Service

When a service name is applied to any service context, the name and service ID association is registered with the system. A service name cannot be assigned to more than one service ID.

Special consideration is given to a service name that is assigned to a VPLS service that has the **configure>service>vpls>allow-ip-int-bind** command is enabled. If a name is applied to the VPLS service while the flag is set, the system will scan the existing IES and VPRN services for an IP interface that is bound to the specified service name. If an IP interface is found, the IP interface will be attached to the VPLS service associated with the name. Only one interface can be bound to the specified name.

If the **allow-ip-int-bind** command is not enabled on the VPLS service, the system will not attempt to resolve the VPLS service name to an IP interface. As soon as the **allow-ip-int-bind** flag is configured on the VPLS, the corresponding IP interface will be bound and become operational up. There is no need to toggle the **shutdown/no shutdown** command.

If an IP interface is not currently bound to the service name used by the VPLS service, no action is taken at the time of the service name assignment.

## Service Binding Requirements

In the event that the defined service ID is created on the system, the system will check to ensure that the service type is VPLS. If the service type is not VPLS or I-VPLS, service creation will not be allowed and the service ID will remain undefined within the system.

If the created service type is VPLS, the IP interface will be eligible to enter the operationally up state.

---

## Bound Service Name Assignment

In the event that a bound service name is assigned to a service within the system, the system will first check to ensure the service type is VPLS or I-VPLS. Secondly the system will ensure that the service is not already bound to another IP interface via the service ID. If the service type is not VPLS or I-VPLS or the service is already bound to another IP interface via the service ID, the service name assignment will fail.

In the event that a single VPLS Service ID and service name is assigned to two separate IP interfaces, the VPLS service will not be allowed to enter and be operational/up state.

---

## Binding a Service Name to an IP Interface

An IP interface within an IES or VPRN service context may be bound to a service name at anytime. Only one interface can be bound to a service.

When an IP interface is bound to a service name and the IP interface is administratively up, the system will scan for a VPLS service context using the name and take the following actions:

- If the name is not currently in use by a service, the IP interface will be placed in an operationally down: Non-existent service name or inappropriate service type state.
- If the name is currently in use by a non-VPLS service or the wrong type of VPLS service, the IP interface will be placed in the operationally down: Non-existent service name or inappropriate service type state.
- If the name is currently in use by a VPLS service without the **allow-ip-int-bind** flag set, the IP interface will be placed in the operationally down: VPLS service **allow-ip-int-bind** flag not set state. There is no need to toggle the **shutdown/no shutdown** command.
- If the name is currently in use by a valid VPLS service and the **allow-ip-int-bind** flag is set, the IP interface will be eligible to be placed in the operationally up state depending on other operational criteria being met.

## Bound Service Deletion or Service Name Removal

In the event that a VPLS service is deleted while bound to an IP interface, the IP interface will enter the 'Down: Non-existent svc-ID' operational state. If the IP interface was bound to the VPLS service name, the IP interface will enter the 'Down: Non-existent svc-name' operational state. No console warning is generated.

If the created service type is VPLS, the IP interface will be eligible to enter the operationally up state.

---

## IP Interface Attached VPLS Service Constraints

Once a VPLS service has been bound to an IP interface through its service name, the service name assigned to the service cannot be removed or changed unless the IP interface is first unbound from the VPLS service name.

A VPLS service that is currently attached to an IP interface cannot be deleted from the system unless the IP interface is unbound from the VPLS service name.

The **allow-ip-int-bind** flag within an IP interface attached VPLS service cannot be reset. The IP interface must first be unbound from the VPLS service name to reset the flag.

## IP Interface and VPLS Operational State Coordination

When the IP interface is successfully attached to a VPLS service, the operational state of the IP interface will be dependent upon the operational state of the VPLS service.

The VPLS service itself remains down until at least one virtual port (SAP, spoke SDP or mesh SDP) is operational.

## IP Interface MTU and Fragmentation

The VPLS service is affected by two MTU values; port MTUs and the VPLS service MTU. The MTU on each physical port defines the largest Layer 2 packet (including all DLC headers) that may be transmitted out a port. The VPLS itself has a service level MTU that defines the largest packet supported by the service. This MTU does not include the local encapsulation overhead for each port (QinQ, Dot1Q, TopQ or SDP service delineation fields and headers) but does include the remainder of the packet. As virtual ports are created in the system, the virtual port cannot become operational unless the configured port MTU minus the virtual port service delineation overhead is greater than or equal to the configured VPLS service MTU. Thus, an operational virtual port is ensured to support the largest packet traversing the VPLS service. The service delineation overhead on each Layer 2 packet is removed before forwarding into a VPLS service. VPLS services do not support fragmentation and must discard any Layer 2 packet larger than the service MTU after the service delineation overhead is removed.

When an IP interface is associated with a VPLS service, the IP-MTU is based on either the administrative value configured for the IP interface or an operational value derived from VPLS service MTU. The operational IP-MTU cannot be greater than the VPLS service MTU minus 14 bytes.

- If the configured (administrative) IP-MTU is configured for a value greater than the normalized IP-MTU, based on the VPLS service-MTU, then the operational IP-MTU is reset to equal the normalized IP-MTU value (VPLS service MTU – 14 bytes).
- If the configured (administrative) IP-MTU is configured for a value less than or equal to the normalized IP-MTU, based on the VPLS service-MTU, then the operational IP-MTU is set to equal the configured (administrative) IP-MTU value.

---

## Unicast IP Routing into a VPLS Service

The VPLS service MTU and the IP interface MTU parameters may be changed at anytime.

## ARP and VPLS FIB Interactions

Two address-oriented table entries are used when routing into a VPLS service. On the routing side, an ARP entry is used to determine the destination MAC address used by an IP next-hop. In the case where the destination IP address in the routed packet is a host on the local subnet represented by the VPLS instance, the destination IP address itself is used as the next-hop IP address in the ARP cache lookup. If the destination IP address is in a remote subnet that is reached by another router attached to the VPLS service, the routing lookup will return the local IP address on the VPLS service of the remote router will be returned. If the next-hop is not currently in the ARP cache, the system will generate an ARP request to determine the destination MAC address associated with the next-hop IP address. IP routing to all destination hosts associated with the next-hop IP address stops until the ARP cache is populated with an entry for the next-hop. The ARP cache may be populated with a static ARP entry for the next-hop IP address. While dynamically populated ARP entries will age out according to the ARP aging timer, static ARP entries never age out.

The second address table entry that affects VPLS routed packets is the MAC destination lookup in the VPLS service context. The MAC associated with the ARP table entry for the IP next-hop may or may not currently be populated in the VPLS Layer 2 FIB table. While the destination MAC is unknown (not populated in the VPLS FIB), the system will flood all packets destined to that MAC (routed or bridged) to all virtual ports within the VPLS service context. Once the MAC is known (populated in the VPLS FIB), all packets destined to the MAC (routed or bridged) will be targeted to the specific virtual port where the MAC has been learned. As with ARP entries, static MAC entries may be created in the VPLS FIB. Dynamically learned MAC addresses are allowed to age out or be flushed from the VPLS FIB while static MAC entries always remain associated with a specific virtual port. Dynamic MACs may also be relearned on another VPLS virtual port than the current virtual port in the FIB. In this case, the system will automatically move the MAC FIB entry to the new VPLS virtual port.

The MAC address associated with the routed VPLS IP interface is protected within its VPLS service such that frames received with this MAC address as the source address are discarded. VRRP MAC addresses are not protected in this way.

## Routed VPLS Specific ARP Cache Behavior

In typical routing behavior, the system uses the IP route table to select the egress interface and then at the egress forwarding engine, an ARP entry is used forward the packet to the appropriate Ethernet MAC. With routed VPLS, the egress IP interface may be represented by multiple egress forwarding engine (wherever the VPLS service virtual ports exists).

In order to optimize routing performance, the ingress forwarding engine processing has been augmented to perform an ingress ARP lookup in order to resolve which VPLS MAC address the IP frame must be routed towards. This MAC address may be currently known or unknown within the VPLS FIB. If the MAC is unknown, the packet is flooded by the ingress forwarding engine to all egress forwarding engines where the VPLS service exists. When the MAC is known on a virtual port, the ingress forwarding engine forwards the packet to the proper egress forwarding engine. [Table 11](#) describes how the ARP cache and MAC FIB entry states interact at ingress and [Table 12](#) describes the corresponding egress behavior.

**Table 11: Ingress Routed to VPLS Next-Hop Behavior**

Next-Hop ARP Cache Entry	Next-Hop MAC FIB Entry	Ingress Behavior
ARP Cache Miss (No Entry)	Known or Unknown	Flood to all egress forwarding engines associated with the VPLS/I-VPLS context.
	Unknown	Flood to all egress forwarding engines associated with the VPLS/I-VPLS context
	Unknown	Flood to all egress forwarding engines associated with the VPLS for forwarding out all VPLS /I-VPLS virtual ports

**Table 12: Egress Routed VPLS Next-Hop Behavior**

Next-Hop ARP Cache Entry	Next-Hop MAC FIB Entry	Egress Behavior
ARP Cache Miss (No Entry) <sup>2</sup>	Known	No ARP entry. The MAC address is unknown and the ARP request is flooded out of all virtual ports of the VPLS/I-VPLS instance
	Unknown	Request control engine ARP processing ARP request transmitted out all virtual port associated with the VPLS/I-VPLS service. Only the first egress forwarding engine ARP processing request triggers egress ARP request.

Table 12: Egress Routed VPLS Next-Hop Behavior (Continued)

Next-Hop ARP Cache Entry	Next-Hop MAC FIB Entry	Egress Behavior
ARP Cache Hit	Known	Forward out specific egress VPLS/I-VPLS virtual port where MAC has been learned.
	Unknown	Flood to all egress VPLS/I-VPLS virtual ports on forwarding engine.

## The allow-ip-int-bind VPLS Flag

The **allow-ip-int-bind** flag on a VPLS service context is used to inform the system that the VPLS service is enabled for routing support. The system uses the setting of the flag as a key to determine what type of ports and which type of forwarding planes the VPLS service may span.

The system also uses the flag state to define which VPLS features are configurable on the VPLS service to prevent enabling a feature that is not supported when routing support is enabled.

## Routed VPLS SAPs Only Supported on Standard Ethernet Ports

The **allow-ip-int-bind** flag is set (routing support enabled) on a VPLS/I-VPLS service. SAPs within the service can be created on standard Ethernet, HSMDA, and CCAG ports. ATM and POS are not supported.

## Routed VPLS SAPs Only Supported on FP2 (or later) Based Systems or IOM/IMM

The Ethernet ports must be populated on a FP2 or FP3 system IOMs in order for the routing enabled VPLS SAPs to be created.

## Network Ports Restricted to FP2-Based Systems or IOMs

When at least one VPLS context is configured with the **allow-ip-int-bind** flag set, all ports within the system defined as mode network must be on an FP2 or greater forwarding plane. If one or more network ports are on an FP1 based forwarding plane, the **allow-ip-int-bind** flag cannot be

set in a VPLS service context. Once the **allow-ip-int-bind** flag is set on a VPLS service context, a port on an FP1 based forwarding plane cannot be placed in mode network.

---

## LAG Port Membership Constraints

If a LAG has a non-supported port type as a member, a SAP for the routing-enabled VPLS service cannot be created on the LAG. Once one or more routing enabled VPLS SAPs are associated with a LAG, a non-supported Ethernet port type cannot be added to the LAG membership.



## Routed VPLS Feature Restrictions

When the **allow-ip-int-bind** flag is set on a VPLS service, the following features cannot be enabled (The flag also cannot be enabled while any of these features are applied to the VPLS service.):

- SAP ingress QoS policies applied to the VPLS SAPs cannot have MAC match criteria defined.
- The VPLS service type cannot be B-VPLS or M-VPLS.
- MVR from Routed VPLS and to another SAP is not supported.
- Enhanced and Basic Subscriber Management (BSM) features.
- Network domain on SDP bindings.
- Per Service Hashing not supported
- No BGP-VPLS
- IOM3+ cards only

Note: IES/VP RN Saps can be on non IOM3+ cards but traffic on them will not be forwarding on Routed VPLS/Routed I-VPLS

- No Time of Day accounting on Routed VPLS SAPs.
- No Ingress Queuing for Split-Horizon Groups
- No Multiple Virtual Router support

---

## Routed I-VPLS Feature Restrictions

- No Multicast support
- No VC-VLAN on SDPs
- force-qtag-forwarding is Not supported
- No Control word on B-VPLS SDPs with Routed I-VPLS
- No Hash Label on B-VPLS SDPs with Routed I-VPLS

## IES IP Interface VPLS Binding and Chassis Mode Interaction

It is possible to bind both IES and VPRN IP interfaces to a VPLS in chassis mode A. Chassis - mode D is not required.

---

## VPRN IP Interface VPLS Binding and Forwarding Plane Constraints

When an IP interface within a VPRN service context is bound to a VPLS or an I-VPLS service name, all of the SAPs within the VPRN service context must be created on ports that are attached to FP2 forwarding planes or better. If a VPRN SAP is on a non-supported forwarding plane, the service name cannot be bound to the VPRN's IP interface. Once an IP interface on the VPRN service is bound to a service name, a SAP on the VPRN service cannot be created on a port (or LAG) on an FP1 forwarding plane.

This restriction prevents a packet from entering the VPRN service on a port that cannot reach a routed VPLS next-hop.

---

## Route Leaking Between Routing Contexts

While the system prevents a routing context from existing on FP1 based forwarding planes while a VPLS service is bound to the routing context, it is possible to create conditions using route leaking (importing or exporting routes using routing policies) where an FP1 based IP interface is asked to route to a routed VPLS next-hop. The system reacts to this condition by populating the next-hop in the FP1 forwarding plane with a null egress IP interface index. This causes any packets that are associated with that next-hop on an FP1 forwarding plane to be discarded. If ICMP destination unreachable messaging is enabled, unreachable messages will be sent.

## Ingress LAG and FP1 to Routed VPLS Discards

If the chassis is connected by LAG to an upstream router and the LAG is split between FP1 and FP2 forwarding plane ports while routes have been shared between routing contexts, flows that are sent to the FP2 ports by the upstream router are capable of reaching a next-hop in a routed VPLS while flows going to the FP1 ports cannot.

## IPv4 Multicast Routing Support

IPv4 multicast routing is supported in a routed VPLS service when the source of the multicast stream is on the IP side and when the source is on the VPLS side. For example, the source for multicast stream G1 could be on the IP side sending to receivers on both other regular IP interfaces and the VPLS of the routed VPLS service, while the source for group G2 could be on the VPLS side sending to receivers on both the VPLS and IP side of the routed VPLS service.

The IP interface of a routed VPLS supports the configuration of both PIM and IGMP for IPv4 multicast.

To enable the ability to forward IPv4 multicast traffic from the VPLS side of the routed VPLS service to the IP side, the `forward-ipv4-multicast-to-ip-int` parameter must be configured as shown below:

```
configure
  service
    vpls <service-id>
      allow-ip-int-bind
        forward-ipv4-multicast-to-ip-int
      exit
    exit
  exit
```

Enabling IGMP snooping in the VPLS service is optional. If IGMP snooping is enabled, it is mandatory to enable IGMP on the routed VPLS IP interface in order for multicast traffic to be sent into, or received from, the VPLS service.

If both IGMP and PIM are configured on the routed VPLS IP interface, it is necessary to configure the associated IP interface to be both the PIM designated router and the IGMP querier in order that the multicast traffic is sent into the VPLS service, as IGMP joins are only propagated to the IP interface if it is the IGMP querier. An alternative to this is to configure the routed VPLS IP interface in the VPLS service as an `mrouter-port` as follows:

```
configure
  service
    vpls <service-id>
      allow-ip-int-bind
        igmp-snooping
          mrouter-port
        exit
      exit
    exit
  exit
```

This is useful to achieve a faster failover in scenarios with redundant routers where multicast traffic is sent to systems on the VPLS side of their routed VPLS services and IGMP snooping is enabled in the VPLS service. On failure of the active router, this configuration avoids the remaining router having to wait until it sends an IGMP query into the VPLS service before it starts

receiving IGMP joins, and consequently sending the multicast traffic into the VPLS service. When the mrouter port is configured as above, all IGMP joins (and multicast traffic) are sent to the VPLS service IP interface.

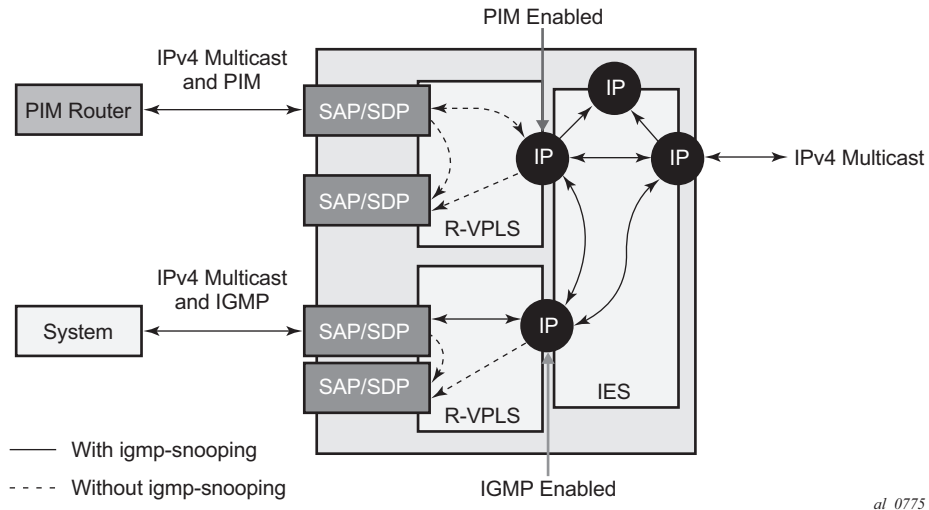
IGMP snooping should only be enabled when systems, as opposed to PIM routers, are connected to the VPLS service. If IGMP snooping is enabled when the VPLS service is used for transit traffic for connected PIM routers, the IGMP snooping would prevent multicast traffic being forwarded between the PIM routers (as PIM snooping is not supported). A workaround would be to configure the VPLS SAPs and spoke SDPs (and the routed VPLS IP interface) to which the PIM routers are connected as mrouter ports.

If IMPM is enabled on an FP on which there is a routed VPLS service with forward-ipv4-multicast-to-ip-int configured, the IPv4 multicast traffic received in the VPLS service which is forwarded through the IP interface will be IMPM managed even without IGMP snooping being enabled. This does not apply to traffic which is only flooded within the VPLS service.

When IPv4 multicast traffic is forwarded from a VPLS SAP or spoke SDP to both VPLS and IP outbound interfaces, for example to another VPLS SAP or spoke SDP and to a regular IP interface, the packet count is doubled in the following statistics to represent both the VPLS and IP replication (this reflects the capacity used for this traffic on the ingress queues which is subject to any configured rates and IMPM capacity management):

- Offered queue statistics
- IMPM managed statistics
- IMPM unmanaged statistics for policed

An example scenario is shown in [Figure 71](#). There are two routed VPLS IP interfaces connected to an IES service with the upper interface connected to a VPLS service in which there is a PIM router and the lower interface connected to a VPLS service in which there is a system using IGMP.



**Figure 71: IPv4 Multicast with a Router VPLS service**

The IPv4 multicast traffic entering the IES service through the regular IP interface is replicated to both the other regular IP interface and the two routed VPLS interfaces if PIM/IGMP joins have been received on the respective IP interfaces. This traffic will be flooded into both VPLS services unless IGMP snooping is enabled in the lower VPLS service, in which case it is only sent to the system originating the IGMP join.

The IPv4 multicast traffic entering the upper VPLS service from the PIM router will be flooded in that VPLS service and, if related joins have been received, forwarded to the regular IP interfaces. It will also be forwarded to the lower VPLS service if an IGMP join is received on its IP interface, again being flooded or not in that VPLS service depending on whether IGMP snooping is enabled.

The IPv4 multicast traffic entering the lower VPLS service from the system will be flooded in that VPLS service, unless IGMP snooping is enabled in which case it will only be forwarded to SAPs, spoke SDPs or the routed VPLS IP interface if joins have been received on them. It will be forwarded to the regular IP interfaces in the IES service if related joins have been received on those interfaces and it will also be forwarded to the upper VPLS service if a PIM join is received on its IP interface, this being flooded in that VPLS service.

## **BGP Auto Discovery (BGP-AD) for Routed VPLS Support**

BGP Auto Discovery (BGP-AD) for Routed VPLS is supported. BGP-AD for LDP VPLS is an already supported framework for automatically discovering the endpoints of a Layer 2 VPN offering an operational model similar to that of an IP VPN.

## Routed VPLS Caveats

---

### VPLS SAP Ingress IP Filter Override

When an IP Interface is attached to a VPLS or an I-VPLS service context, the VPLS SAP provisioned IP filter for ingress routed packets may be optionally overridden in order to provide special ingress filtering for routed packets. This allows different filtering for routed packets and non-routed packets. The filter override is defined on the IP interface bound to the VPLS service name. A separate override filter may be specified for IPv4 and IPv6 packet types.

If a filter for a given packet type (IPv4 or IPv6) is not overridden, the SAP specified filter is applied to the packet (if defined).

---

### IP Interface Defined Egress QoS Reclassification

The SAP egress QoS policy defined forwarding class and profile reclassification rules are not applied to egress routed packets. To allow for egress reclassification, a SAP egress QoS policy ID may be optionally defined on the IP interface which will be applied to routed packets that egress the SAPs on the VPLS or I-VPLS service associated with the IP interface. Both unicast directed and MAC unknown flooded traffic apply to this rule. Only the reclassification portion of the QoS policy is applied which includes IP precedence or DSCP classification rules and any defined IP match criteria and their associated actions.

The policers and queues defined within the QoS policy applied to the IP interface are not created on the egress SAPs of the VPLS service. Instead, the actual QoS policy applied to the egress SAPs defines the egress policers and queues that will be used by both routed and non-routed egress packets. The forwarding class mappings defined in the egress SAP's QoS policy will also define which policer or queue will handle each forwarding class for both routed and non-routed packets.



## Remarking for VPLS and Routed Packets

The remarking of packets to and from an IP interface in an R-VPLS service corresponds to that supported on IP interface, even though the packets ingress or egress a SAP in the VPLS service bound to the IP service. Specifically, this results in the ability to remark the DSCP/prec for these packets.

Packets ingressing and egressing SAPs in the VPLS service (not routed through the IP interface) support the regular VPLS QoS and therefore the DSCP/prec cannot be remarked.

---

## 7450 Mixed Mode Chassis

The mixed mode on the 7450 that allows 7750 based IOM3s to be populated and operational in a 7450 chassis supports routed VPLS as long as all the forwarding plane and port type restrictions are observed.

---

## IPv4 Multicast Routing

When using IPv4 Multicast routing, the following are not supported:

- Multicast VLAN registration functions within the associated VPLS service.
  - The configuration of a video ISA within the associated VPLS service.
  - The configuration of MFIB-allowed MDA destinations under spoke/mesh SDPs within the associated VPLS service.
  - IPv4 multicast routing is not supported in Routed I-VPLS.
  - Forwarding of multicast traffic from the VPLS side of the service to the IP interface side of the service is not supported for routed VPLS services in which VXLAN is enabled.
- 

## Routed VPLS Supported Routing Related Protocols

The following protocols are supported on IP interfaces bound to a VPLS service:

- BGP
- OSPF
- ISIS
- PIM
- IGMP

## Routed VPLS Caveats

- BFD
  - VRRP
  - ARP
  - DHCP Relay
- 

## Spanning Tree and Split Horizon

A routed VPLS context supports all spanning tree and split horizon capabilities that a non-routed VPLS service supports.

## VPLS Service Considerations

This section describes the 7750 SR, and service features and any special capabilities or considerations as they relate to VPLS services.

---

### SAP Encapsulations

VPLS services are designed to carry Ethernet frame payloads, so it can provide connectivity between any SAPs and SDPs that pass Ethernet frames. The following SAP encapsulations are supported on the 7750 SR, and VPLS service:

- Ethernet null
  - Ethernet Dot1q
  - Ethernet QinQ
  - SONET/SDH BCP-null
  - SONET/SDH BCP-dot1q
  - ATM VC with RFC 2684 Ethernet bridged encapsulation (See [ATM/Frame Relay PVC Access and Termination on a VPLS Service on page 543.](#))
  - FR VC with RFC 2427 Ethernet bridged encapsulation (See [ATM/Frame Relay PVC Access and Termination on a VPLS Service on page 543.](#))
- 

### VLAN Processing

The SAP encapsulation definition on Ethernet ingress ports defines which VLAN tags are used to determine the service that the packet belongs to:

1. Null encapsulation defined on ingress — Any VLAN tags are ignored and the packet goes to a default service for the SAP.
2. Dot1q encapsulation defined on ingress — Only first label is considered.
3. QinQ encapsulation defined on ingress— Both labels are considered.  
Note that the SAP can be defined with a wildcard for the inner label (for example, “100:100.\*”). In this situation all packets with an outer label of 100 will be treated as belonging to the SAP. If, on the same physical link, there is also a SAP defined with a QinQ encapsulation of 100:100.1, then traffic with 100:1 will go to that SAP and all other traffic with 100 as the first label will go to the SAP with the 100:100.\* definition.

In situations 2 and 3 above, traffic encapsulated with tags for which there is no definition are discarded.

## Ingress VLAN Swapping

This feature is supported on VPLS and VLL service where the end to end solution is built using two node solutions (requiring SDP connections between the nodes).

In VLAN swapping, only the VLAN-id value will be copied to the inner VLAN position. Ethertype of the inner tag will be preserved and all consecutive nodes will work with that value. Similarly, the dot1p bits value of outer-tag will not be preserved.

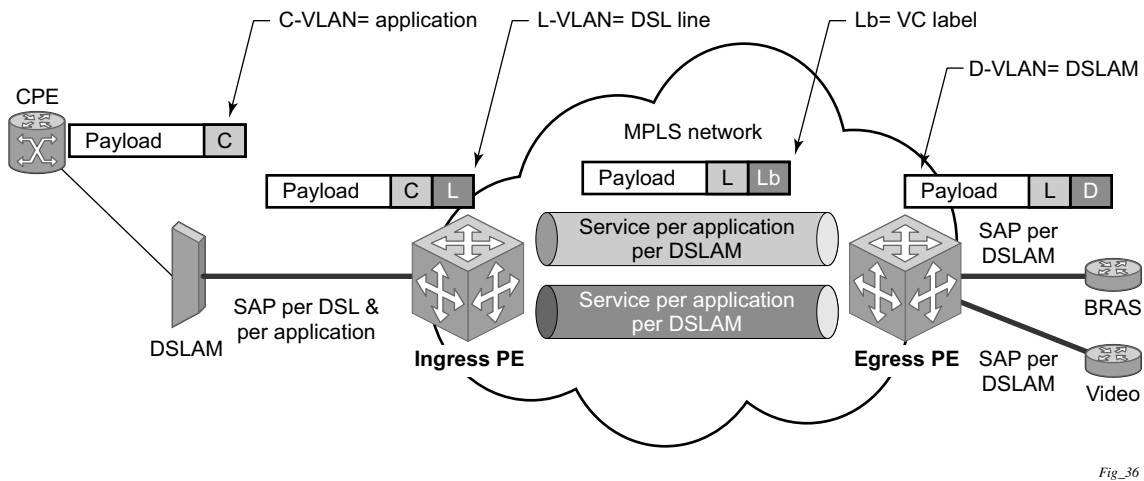


Figure 72: Ingress VLAN Swapping

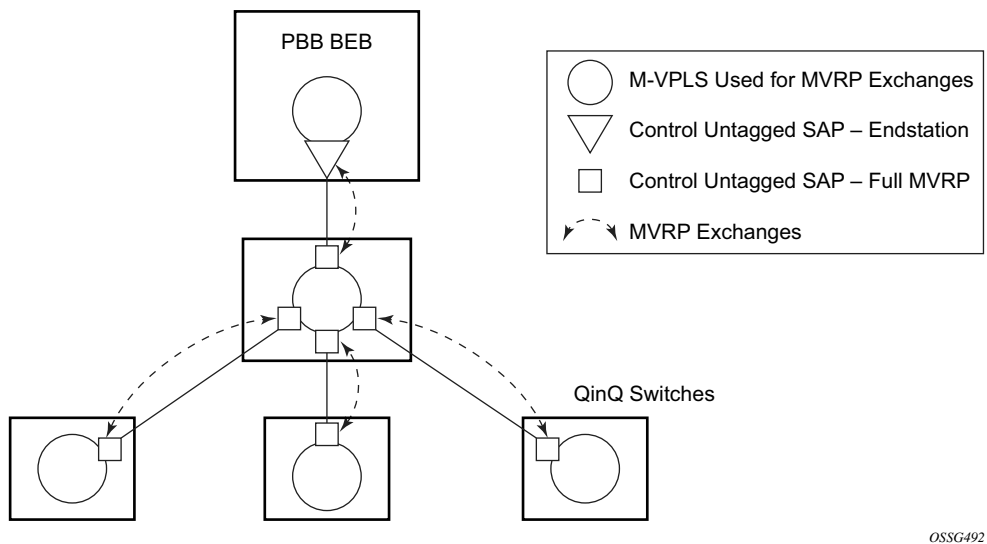
The network diagram describes the network where at user access side (DSLAM facing SAPs) every subscriber is represented by several QinQ SAPs with inner-tag encoding service and outer-tag encoding subscriber (DSL line). The aggregation side (BRAS or PE facing SAPs) the is represented by DSL line number (inner VLAN tag) and DSLAM (outer VLAN tag). The effective operation on VLAN tag is to drop inner tag at access side and push another tag at the aggregation side.

## Service Auto-Discovery using Multiple VLAN Registration Protocol (MVRP)

IEEE 802.1ak Multiple VLAN Registration Protocol (MVRP) is used to advertise throughout a native Ethernet switching domain one or multiple VLAN IDs to build automatically native Ethernet connectivity for multiple services. These VLAN IDs can be either Customer VLAN IDs (CVID) in an enterprise switching environment, Stacked VLAN IDs (SVID) in a Provider Bridging, QinQ Domain (see IEEE 802.1ad) or Backbone VLAN IDs (BVID) in a Provider Backbone Bridging (PBB) domain (see IEEE 802.1ah).

The initial focus of Alcatel-Lucent MVRP implementation is a Service Provider QinQ domain with or without a PBB core. The QinQ access into a PBB core example is used throughout this section to describe the MVRP implementation. With the exception of end-station components, a similar solution can be used to address a QinQ only or enterprise environments.

The components involved in the MVRP control plane are depicted in [Figure 73](#).



**Figure 73: Infrastructure for MVRP Exchanges**

All the devices involved are QinQ switches with the exception of the PBB BEB which delimits the QinQ domain and ensures the transition to the PBB core. The red circles represent Management VPLS instances interconnected by SAPs to build a native Ethernet switching domain used for MVRP control plane exchanges.

The following high level steps are involved in auto-discovery of VLAN connectivity in a native Ethernet domain using MVRP:

- Configure the MVRP infrastructure
  - This involves the configuration of a Management VPLS (M-VPLS) context
  - MSTP may be used in M-VPLS to provide the loop-free topology over which the MVRP exchanges take place.
- Instantiate related VLAN FIB, trunks in the MVRP, M-VPLS scope
  - The VLAN FIBs (VPLS instances) and associated trunks (SAPs) are instantiated in the same Ethernet switches and on the same “trunk ports” as the M-VPLS
  - There is no need to instantiate data VPLS instances in the BEB. IVPLS instances and related downward facing SAPs will be provisioned manually because the ISID to VLAN association must be configured.
- MVRP activation of service connectivity
  - When the first two customer UNI and/or PBB end-station SAPs are configured on different Ethernet switches in a certain service context the MVRP exchanges will activate service connectivity

---

### Configure the MVRP Infrastructure using an M-VPLS Context

The following provisioning steps apply:

- Configure M-VPLS instances in the switches that will participate in MVRP control plane
- Configure under the M-VPLS the untagged SAP(s) to be used for MVRP exchanges; only dot1q or QinQ ports are accepted for MVRP enabled M-VPLS
- Configure MVRP parameters at M-VPLS instance or SAP level

---

### Instantiate Related VLAN FIBs and Trunks in MVRP Scope

This involves the configuration in the M-VPLS, under vpls-group of the following attributes: VLAN range(s), vpls-template and vpls-sap-template bindings. As soon as the VPLS group is enabled the configured attributes are used to auto-instantiate on a per VLAN basis a VPLS FIB and related SAP(s) in the switches and on the “trunk ports” specified in the M-VPLS context. The trunk ports are ports associated with an M-VPLS SAP not configured as an end-station.

The following procedure is used:

- The vpls-template binding is used to instantiate the VPLS instance where the service ID is derived from the VLAN value as per service-range configuration
- The vpls-sap-template binding is used to create dot1q SAP(s) by deriving from the VLAN value the service delimiter as per service-range configuration

The above procedure may be used outside of the MVRP context to pre-provision a large number of VPLS contexts that share the same infrastructure and attributes.

The MVRP control of the auto-instantiated services can be enabled using the **mvrp-control** command under `vpls-group`:

- If `mvrp-control` is disabled the auto-created VPLS instance(s) and related SAP(s) are ready to forward.
- If `mvrp-control` is enabled the auto-created VPLS instances will be instantiated initially with an empty flooding domain. The MVRP exchanges will gradually enable service connectivity according to the operator configuration – between configured SAPs in the data VPLS context
  - This provides also protection against operational mistakes that may generate flooding throughout the auto-instantiated VLAN FIBs.

From an MVRP perspective these SAPs can be either “full MVRP” or “end-stations” interfaces.

A full MVRP interface is a full participant in the local M-VPLS scope:

- VLAN attributes received in an MVRP registration on this MVRP interface are declared on all the other full MVRP SAPs in the control VPLS.
- VLAN attributes received in an MVRP registration on other full MVRP interfaces in the local M-VPLS context are declared on this MVRP interface.

In an MVRP end-station the attribute(s) registered on that interface have local significance:

- VLAN attributes received in an MVRP registration on this interface are not declared on any other MVRP SAPs in the control VPLS. The attributes are registered only on the local port.
- Only locally active VLAN attributes are declared on the end-station interface; VLAN attributes registered on any other MVRP interfaces are not declared on end-station interfaces
- Also defining an M-VPLS SAP as end-station does not instantiate any objects on the local switch; the command is used just to define which SAP needs to be monitored by MVRP to declare the related VLAN value.

The following example describes the M-VPLS configuration required to auto-instantiate the VLAN FIBs and related trunks in non-PBB switches:

## Service Auto-Discovery using Multiple VLAN Registration Protocol (MVRP)

```
mrp
  no shutdown
  mmrp
    shutdown
  mvrp
    no shutdown
sap 1/1/1:0
  mrp mvrp
  no shutdown
sap 2/1/2:0
  mrp mvrp
  no shutdown
sap 3/1/10:0
  mrp mvrp
  no shutdown
vpls-group 1
  service-range 100-2000
  vpls-template-binding Autovpls1
  vpls-sap-template-binding Autosap1
  mvrp-control
  no shutdown
```

A similar M-VPLS configuration may be used to auto-instantiate the VLAN FIBs and related trunks in PBB switches. The vpls-group command is replaced by the end-station command under the downwards SAPs as in the following example:

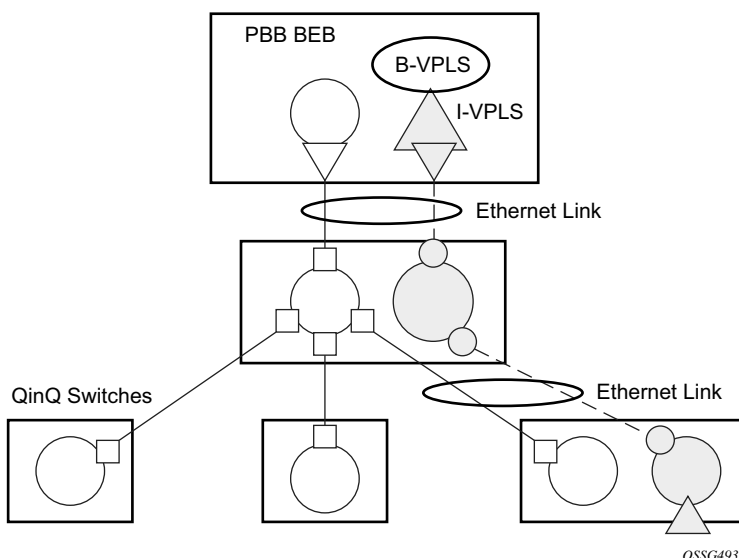
```
config>service>vpls control-mvrp m-vpls create customer 1
[..]
sap 1/1/1:0
  mrp mvrp
    endstation-vid-group 1 vlan-id 100-2000
  no shutdown
```



## MVRP Activation of Service Connectivity

As new Ethernet services are activated, UNI SAPs need to be configured and associated with the VLAN IDs (VPLS instances) auto-created using the procedures described in the previous sections. These UNI SAPs may be located in the same VLAN domain or over a PBB backbone. When UNI SAPs are located in different VLAN domains, an intermediate service translation point must be used at the PBB BEB which maps the local VLAN ID through an IVPLS SAP to a PBB ISID. This BEB SAP will be playing the role of an end-station from an MVRP perspective for the local VLAN domain. This section will discuss how MVRP is used to activate service connectivity between a BEB SAP and a UNI SAP located on one of the switches in the local domain. Similar procedure is used for the case of UNI SAPs configured on two switches located in the same access domain. No end-station configuration is required on the PBB BEB if all the UNI SAPs in a service are located in the same VLAN domain.

The service connectivity instantiation through MVRP is depicted in [Figure 74](#).



**Figure 74: Service Instantiation with MVRP - QinQ to PBB Example**

In this example the UNI and service translation SAPs are configured in the data VPLS represented by the yellow circle. This instance and associated trunk SAPs were instantiated using the procedures described in the previous sections. The following configuration steps are involved:

- on the BEB an IVPLS SAP must be configured towards the local switching domain – see yellow triangle facing downwards

## Service Auto-Discovery using Multiple VLAN Registration Protocol (MVRP)

- on the UNI facing the customer a “customer” SAP is configured on the bottom left switch – see yellow triangle facing upwards

As soon as the first UNI SAP becomes “active” in the data VPLS on the ES, the associated VLAN value is advertised by MVRP throughout the related M-VPLS context. As soon as the second UNI SAP becomes available on a different switch or in our example on the PBB BEB the MVRP proceeds to advertise the associated VLAN value throughout the same M-VPLS. The trunks that experience MVRP declaration and registration in both directions will become active instantiating service connectivity as represented by the big and small yellow circles depicted in the picture.

A hold-time parameter (**config>service>vpls>mrp>mvrp>hold-time**) is provided in the M-VPLS configuration to control when the end-station or last UNI SAP is considered active from an MVRP perspective. The hold-time controls the amount of MVRP advertisements generated on fast transitions of the end-station or UNI SAPs.

If the **no hold-time** setting is used:

- MVRP will stop declaring the VLAN only when the last provisioned UNI SAP associated locally with the service is deleted.
- MVRP will start declare the VLAN as soon as the first provisioned SAP is created in the associated VPLS instance, regardless of the operational state of the SAP.

If a non-zero “hold-time” setting is used:

- When a SAP in down state is added, MVRP does not declare the associated VLAN attribute. The attribute is declared immediately when the SAP comes up.
- When the SAP goes down, MVRP will wait until “hold-time” expiry before withdrawing the declaration.

Note that for QinQ endstation SAPs only “no hold-time” setting is allowed

Only the following PBB Epipe and I-VPLS SAP types are eligible to activate MVRP declarations:

- dot1q: for example 1/1/2:100
- qinq or qinq default: for example, 1/1/1:100.1 and respectively 1/1/1:100.\*; the outer VLAN 100 will be used as MVRP attribute as long as it belongs to the MVRP range configured for the port
- null port and dot1q default cannot be used

An example of steps required to activate service connectivity for VLAN 100 using MVRP follows.

In the data VPLS instance (VLAN 100) controlled by MVRP, on the QinQ switch:

```
config>service>vpls 100
    sap 9/1/1:10 //UNI sap using CVID 10 as service delimiter.
        no shutdown
```

In I-VPLS on PBB BEB:

```
config>service>vpls 1000 i-vpls
    sap 8/1/2:100 //sap (using MVRP VLAN 100 on endstation port in
    VPLS.)
        no shutdown
```

## MVRP Control Plane

MVRP is based on the IEEE 802.1ak MRP specification where STP is the supported method to be used for loop avoidance in a native Ethernet environment. M-VPLS and associated MSTP (or P-MSTP) control plane provides the loop avoidance component in Alcatel-lucent implementation. Alcatel-Lucent MVRP may be used also in a non- MSTP, loop free topology.

## STP-MVRP Interaction

The following table captures the expected interaction between STP (MSTP or P-MSTP) and MVRP:

**Table 13: MSTP and MVRP Interaction Table**

Item	M-VPLS Service xSTP	M-VPLS SAP STP	Register/Declare Data VPLS VLAN on M-VPLS SAP	DSFS (Data SAP Forwarding State) controlled by	Data Path Forwarding with MVRP enabled controlled by
1	(p)MSTP	Enabled	based on M-VPLS SAP's MSTP forwarding state	MSTP only	DSFS and MVRP
2	(p)MSTP	Disabled	based on M-VPLS SAP's oper state	None	MVRP
3	Disabled	Enabled or Disabled	based on M-VPLS SAP's oper state	None	MVRP

Notes:

- Running STP in data VPLS instances controlled by MVRP is not allowed.
- Running STP on MVRP-controlled end-station SAPs is not allowed.

## Interaction Between MVRP and Instantiated SAP Status

This section describes how MVRP reacts to changes in the instantiated SAP status.

---

There are a number of mechanisms that may generate operational or admin down status for the SAPs and VPLS instances controlled by MVRP:

1. Port down
2. MAC Move
3. Port MTU too small
4. Service MTU too small

Note that the shutdown of the whole instantiated VPLS or instantiated SAPs is disabled in both VPLS and VPLS SAP templates. The **no shutdown** option is automatically configured.

In the **port down** case MVRP will also be operationally down on the port so no VLAN declaration will take place.

When MAC move is enabled in a data VPLS controlled by MVRP, in case a MAC move hit happens, one of the instantiated SAPs controlled by MVRP may be blocked. The SAP blocking by MAC Move is not reported though to the MVRP control plane. As a result MVRP keeps declaring and registering the related VLAN value on the control SAPs including the one which shares the same port with the instantiate SAP blocked by MAC move as long as MVRP conditions are met. For MVRP, an active control SAP is one that has MVRP enabled and MSTP is not blocking it for the VLAN value on the port. Also in the related data VPLS one of the two conditions must be met for the declaration of the VLAN value: there must be either a local user SAP or at least one MVRP registration received on one of the control SAPs for that VLAN.

In the last two cases VLAN attributes get declared or registered even when the instantiated SAP is operationally down, similarly with the MAC move case.

## Using Temporary Flooding to Optimize Failover Times

MVRP advertisements use the active topology which may be controlled through loop avoidance mechanisms like MSTP. When the active topology changes as a result of network failures, the time it takes for MVRP to bring up the optimal service connectivity may be added on top of the regular MSTP convergence time. Full connectivity also depends on the time it takes for the system to complete flushing of bad MAC entries.

In order to minimize the effects of MAC Flushing and MVRP convergence, a temporary flooding behavior is implemented. When enabled the temporary flooding eliminates the time it takes to flush the MAC tables. In the initial implementation the temporary flooding is initiated only on reception of an STP TCN.

While temporary flooding is active all the frames received in the extended data VPLS context are flooded while the MAC flush and MVRP convergence takes place. The extended data VPLS context comprises all instantiated trunk SAPs regardless of MVRP activation status. A timer option is also available to configure a fixed amount of time, in seconds, during which all traffic is flooded (BUM or known unicast). Once the flood-time expires, traffic will be delivered according to the regular FIB content. The timer value should be configured to allow auxiliary processes like MAC Flush and MVRP to converge. The temporary flooding behavior applies to all VPLS types. Note that MAC learning continues during temporary flooding. Temporary flooding behavior is enabled using the temp-flooding command under **config> service>vpls** or **config> service>template>vpls-template** contexts and is supported in VPLS regardless of whether MVRP is enabled or not.

The following rules apply for temporary flooding in VPLS:

- If discard-unknown is enabled then there is no temporary flooding
- Temporary flooding while active applies also to static MAC entries; after the MAC FIB is flushed it reverts back to the static MAC entries
- If MAC learning is disabled fast or temporary flooding is still enabled
- Temporary flooding is not supported in B-VPLS context when MMRP is enabled. The use of flood-time procedure provides a better procedure for this kind of environment.
- Temporary flooding behavior is supported only on SAPs located on IOM3s for all chassis modes. If IOM1 or IOM2 are involved, the flooding will not work on related SAP or PW endpoints.

## VPLS E-Tree Services

This section describes the following topics:

- [VPLS E-Tree Services Overview on page 483](#)
- [Leaf-ac and Root-ac SAPs on page 484](#)
- [Leaf-ac and Root-ac SDP Binds on page 485](#)
- [Root-leaf-tag SAPs on page 485](#)
- [Root-leaf-tag SDP Binds on page 486](#)
- [Interaction between VPLS E-Tree Services and Other Features on page 487](#)

---

### VPLS E-Tree Services Overview

The VPLS E-Tree service offers a VPLS service with Root and Leaf designated access SAPs and SDP bindings, which prevent any traffic flow from leaf to leaf directly. With a VPLS E-Tree the split-horizon-group capability is inherent for leaf SAPs (or SDP bindings) and extends to all the remote PEs part of the same VPLS E-Tree service. This feature is based on IETF draft-ietf-l2vpn-vpls-pe-etree.

A VPLS E-Tree service may support an arbitrary number of leaf access (leaf-ac) interfaces, root access (root-ac) interfaces and root-leaf tagged (root-leaf-tag) interfaces. Leaf-ac interfaces are supported on SAPs and SDP binds and can only communicate with root-ac interfaces (also supported on SAPs and SDP binds). Leaf-ac to leaf-ac communication is not allowed. Root-leaf-tag interfaces (supported on SAPs and SDP bindings) are tagged with root and leaf VIDs to allow remote VPLS instances to enforce the E-Tree forwarding.

[Figure 75](#) shows a network with two root-ac interfaces and several leaf-ac SAPs (also could be SDPs). The diagram indicates two VIDs in use to each service within the service with no restrictions on the AC interfaces. The service guarantees no leaf-ac to leaf-ac traffic.

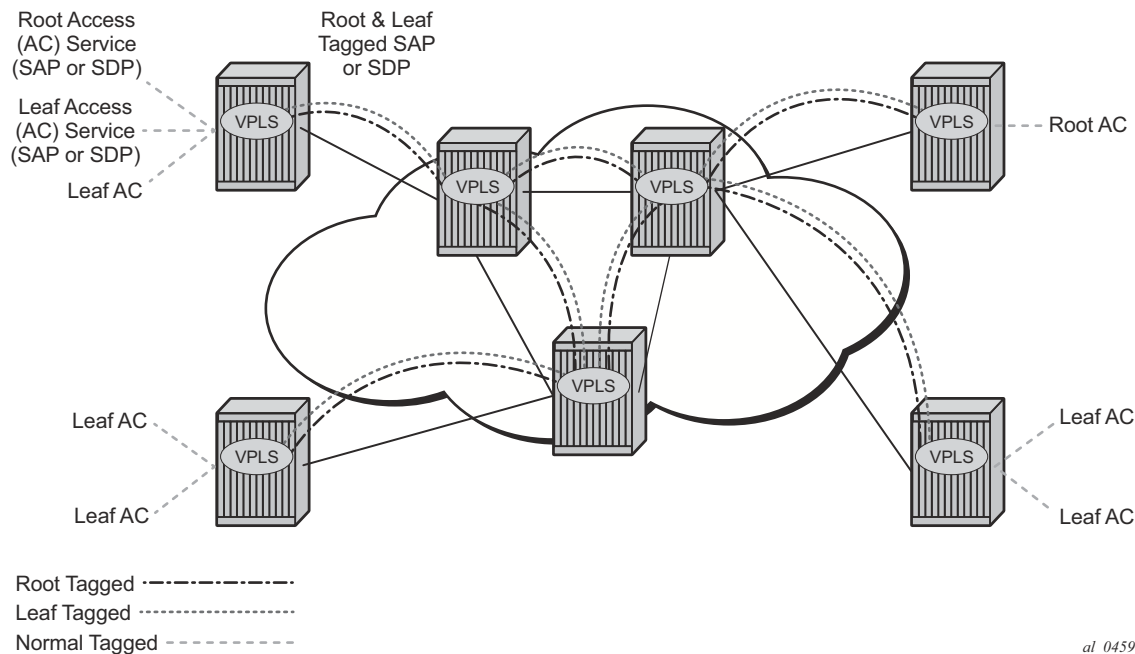


Figure 75: E-Tree Service

## Leaf-ac and Root-ac SAPs

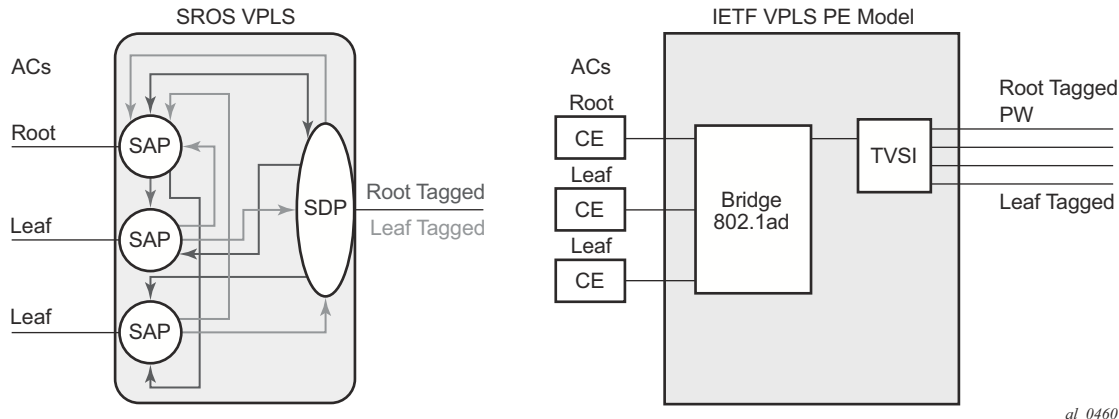
Figure 76 illustrates the terminology used for E-Tree in draft-ietf-l2vpn-vpls-pe-etree and a mapping to SROS terms.

An Ethernet service access SAP is characterized as either a leaf-ac or a root-ac for a VPLS E-Tree service. As far as SROS is concerned, these are normal SAPs with either no tag (Null)/ priority tag or dot1Q or QinQ encapsulation on the frame. Note that, functionally, a root-ac is a normal SAP and does not need to be differentiated from the regular SAPs except that it will be associated with a root behavior in a VPLS E-Tree.

Leaf-ac SAPs have restrictions; for example, a SAP is configured for a leaf-ac can never send frames to other leaf-ac directly (local) or through a remote node. Leaf-ac SAPs on the same VPLS instance behave as if they are part of a split-horizon-group (SHG) locally. Leaf-ac SAPs that are on other nodes need to have the traffic marked as originating "from a Leaf" in the context of the VPLS service when carried on PWs and SAPs with tags (VLANs).

Root-ac SAPs on the same VPLS can talk to any root-ac or leaf-ac.





**Figure 76: Mapping PE Model to 7x50 VPLS Service**

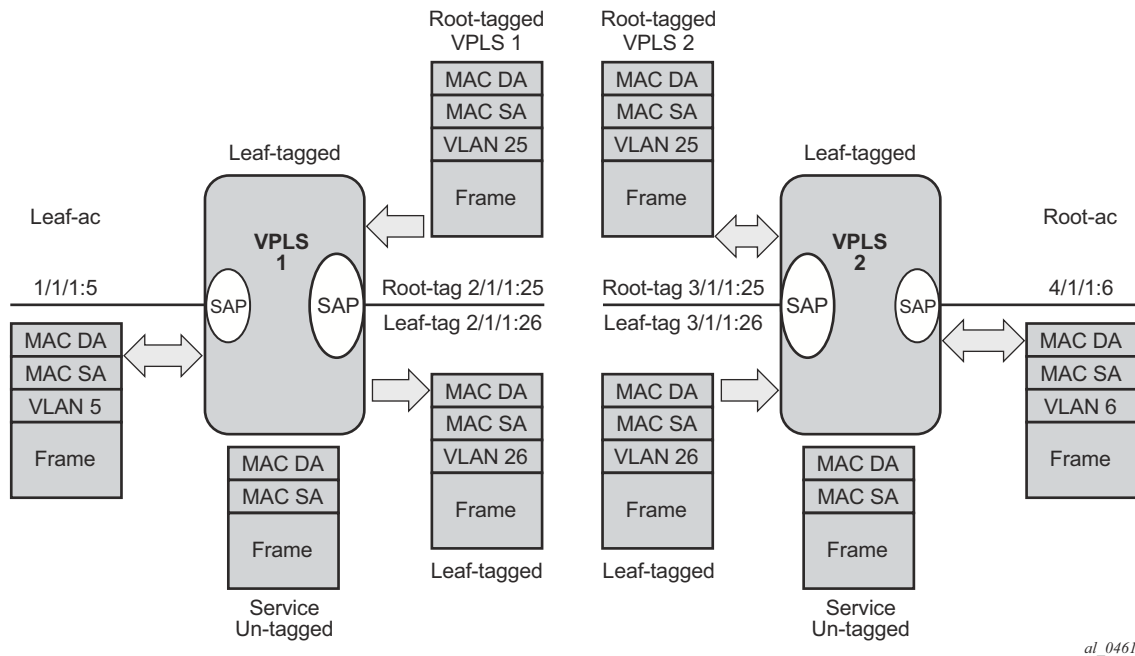
## Leaf-ac and Root-ac SDP Binds

Untagged SDP binds for access can also be designated as root-ac or leaf-ac. This type of E-Tree interface is required for devices that do not support E-Tree, such as the 7210 SAS, to enable them to be connected with pseudowires. Such devices are root or leaf only and do not require having a tagged frame with a root or leaf indication.

## Root-leaf-tag SAPs

Support on root-leaf-tag SAPs requires that the outer VID is overloaded to indicate root and leaf. To support the SR service model for a SAP the ability to send and receive 2 different tags on a single SAP has been added. [Figure 77](#) illustrates the behavior when a root-ac and leaf-ac exchange traffic over a root-leaf-tag SAP. Although the figure shows two SAPs connecting VPLS instances 1 and 2, the CLI will show a single SAP with the format:

```
sap 2/1/1:25 root-leaf-tag leaf-tag 26 create
```



**Figure 77: Leaf and Root Tagging Dot1q**

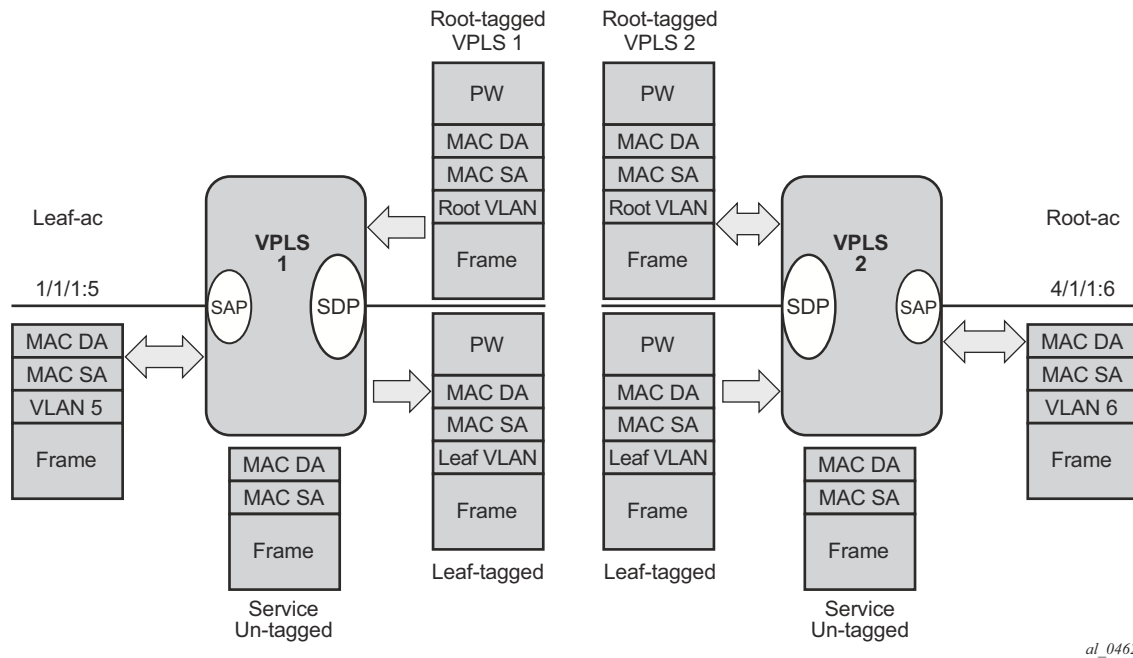
The root-leaf-tag SAP performs all of the operations for egress and ingress traffic for both tags (root and leaf):

- When receiving a frame, the outer tag VID will be compared against the configured root or leaf VLANs and the frame forwarded accordingly.
- When transmitting, the system will add a root VLAN (in the outer tag) on frames with an internal indication of Root, and a leaf VLAN on frames with an internal indication of Leaf.

## Root-leaf-tag SDP Binds

Typically, in a VPLS environment over MPLS, mesh and spoke SDP binds interconnect the local VPLS instances to remote PEs. To support VPLS E-Tree the root and leaf traffic is sent over the SDP bind using a fixed VLAN tag value. The SROS implementation uses a fixed VLAN ID 1 for root and fixed VLAN ID 2 for leaf. The root and leaf tags are a considered a global value and signaling is not supported. Note that the vc-type on root-leaf-tag SDP binds must be VLAN. The vlan-vc-tag command will be blocked in root-leaf-tag SDP-binds.

Figure 78 illustrates the behavior when leaf-ac or root-ac interfaces exchange traffic over a root-leaf-tag SDP-binding.



al\_0462

**Figure 78: Leaf and Root Tagging PW**

## Interaction between VPLS E-Tree Services and Other Features

As a general rule, any CPM-generated traffic is always root traffic (STP, OAM, etc.) and any received control plane frame is marked with a root/leaf indication based on which E-Tree interface it arrived at. Some other particular feature interactions are described below:

- **ETH-CFM and E-Tree** — ETH-CFM allows the operator to verify connectivity between the various endpoint of the service as well as execute troubleshooting and performance gathering functions. Continuity Checking, ETH-CC, is a method by which endpoints are configured and messages are passed between them at regular configured intervals. When CCM Enabled MEPs are configured all MEPs in the same maintenance association, the grouping typically along the service lines, must know about every other endpoint in the service. This is the main principle behind continuity verification (all endpoints in communication). Although the maintenance points configured within the E-Tree service adhere to the forwarding rules of the Leaf and the Root, local population of the MEP database used by the ETH-CFM function may make it appear as the forwarding plane is broken when it is not. All MEPs that are locally configured within a service will automatically be added to the local MEP database. However, because of the Leaf and Root forwarding rules not all of these MEPs can receive the required peer CCM message to avoid CCM Defect conditions. It is suggested, when deploying CCM enabled MEPs in an E-Tree configuration, these CCM-enabled MEPs are configured on Root entities. If Leaf access requires CCM verification then down MEPs in separate maintenance

associations should be configured. This consideration is only for operators who wish to deploy CCM in E-Tree environments. No other ETH-CFM tools query or utilize this database.

- Legacy OAM commands (cpe-ping, mac-ping, mac-trace, mac-populate and mac-purge) are not supported in E-Tree service contexts. Although some configuration may result in normal behavior for some commands not all commands or configurations will yield the expected results. Standards based ETH-CFM tools should be used in place of the proprietary legacy OAM command set.
- IGMP and PIM snooping work on VPLS E-Tree services. Note that multicast routers should use root-ac interfaces so that the multicast traffic can be delivered properly.
- xSTP is supported in VPLS E-Tree services, however, when configuring STP in VPLS E-Tree services the following considerations apply:
  - STP must be carefully used so that STP does not block undesired objects.
  - xSTP is not aware of the leaf-to-leaf topology, e.g. for leaf-to-leaf traffic, even if there is no loop in the forwarding plane, xSTP may block leaf-ac SAPs or SDP binds.
  - Since xSTP is not aware of the root-leaf topology either, root ports might end up blocked before leaf interfaces.
  - When xSTP is used as a access redundancy mechanism, it is recommended that the dual-homed device is connected to the same type of E-Tree AC, to avoid unexpected forwarding behaviors when xSTP converges.
- Redundancy mechanisms such as MC-LAG, SDP bind end-points or BGP-MH are fully supported on VPLS E-Tree services. However. eth-tunnel SAPs or eth-ring control SAPs are not supported on VPLS E-Tree services.